



US00D767288S

(12) **United States Design Patent**  
**McMahon**

(10) **Patent No.:** **US D767,288 S**

(45) **Date of Patent:** **\*\* \*Sep. 27, 2016**

(54) **PICTURE FRAME AND FRONT-LOADING,  
DOCKING DEVICE FOR ELECTRONIC  
DEVICES**

(71) Applicant: **Nicholas McMahon**, Portland, OR (US)

(72) Inventor: **Nicholas McMahon**, Portland, OR (US)

(\*) Notice: This patent is subject to a terminal disclaimer.

(\*\*) Term: **14 Years**

(21) Appl. No.: **29/456,268**

(22) Filed: **May 29, 2013**

(51) **LOC (10) Cl.** ..... **06-07**

(52) **U.S. Cl.**  
USPC ..... **D6/300**

(58) **Field of Classification Search**

USPC ..... D6/300-312, 313, 314; D14/125-130,  
D14/341, 371, 203.1, 203.2, 203.3, 203.8,  
D14/345, 463, 799, 308, 321; 29/428;  
40/700-703, 709, 720, 777, 797-799,  
40/768, 769, 33, 44, 152.1; D20/21, 10,  
D20/17, 40, 43, 41, 39; 161/13, 14; 229/8,  
229/23 R

See application file for complete search history.

(56) **References Cited**

**U.S. PATENT DOCUMENTS**

D243,378 S \* 2/1977 Tharp ..... D6/300  
D309,679 S \* 8/1990 Ackeret ..... D6/311

(Continued)

**OTHER PUBLICATIONS**

Photograph frame, available Dec. 30, 2013, [online], [site visited Aug. 8, 2014]. Available from internet, <URL: <http://www.trendhunter.com/trends/ipad2-photograph-frame>>.

(Continued)

*Primary Examiner* — Cathron Brooks

*Assistant Examiner* — Teddy Falloway

(74) *Attorney, Agent, or Firm* — Hoang Steve Ngo

(57) **CLAIM**

The ornamental design for a picture frame and front-loading, docking device for electronic devices, as shown and described.

**DESCRIPTION**

FIG. 1 is a front view of an embodiment of a picture frame and front-loading, docking device for electronic devices showing a new design;

FIG. 2 is a rear view of the picture frame and front-loading, docking device of FIG. 1, wherein a stand is shown in dashed lines;

FIG. 3 is a top view of the picture frame and front-loading, docking device of FIG. 1;

FIG. 4 is a bottom view of the picture frame and front-loading, docking device of FIG. 1;

FIG. 5 is a right side view of the picture frame and front-loading, docking device of FIG. 1;

FIG. 6 is a left side view of the picture frame and front-loading, docking device of FIG. 1;

FIG. 7 is a front, right side, perspective view of the picture frame and front-loading, docking device of FIG. 1;

FIG. 8 is a front, left side, perspective view of the picture frame and front-loading, docking device of FIG. 1;

FIG. 9 is front, right side, environmental, perspective view of the picture frame and front-loading, docking device of FIG. 1, wherein an electronic device is shown in dashed lines;

FIG. 10 is front, left side, environmental, perspective view of the picture frame and front-loading, docking device of FIG. 1, wherein an electronic device is shown in dashed lines;

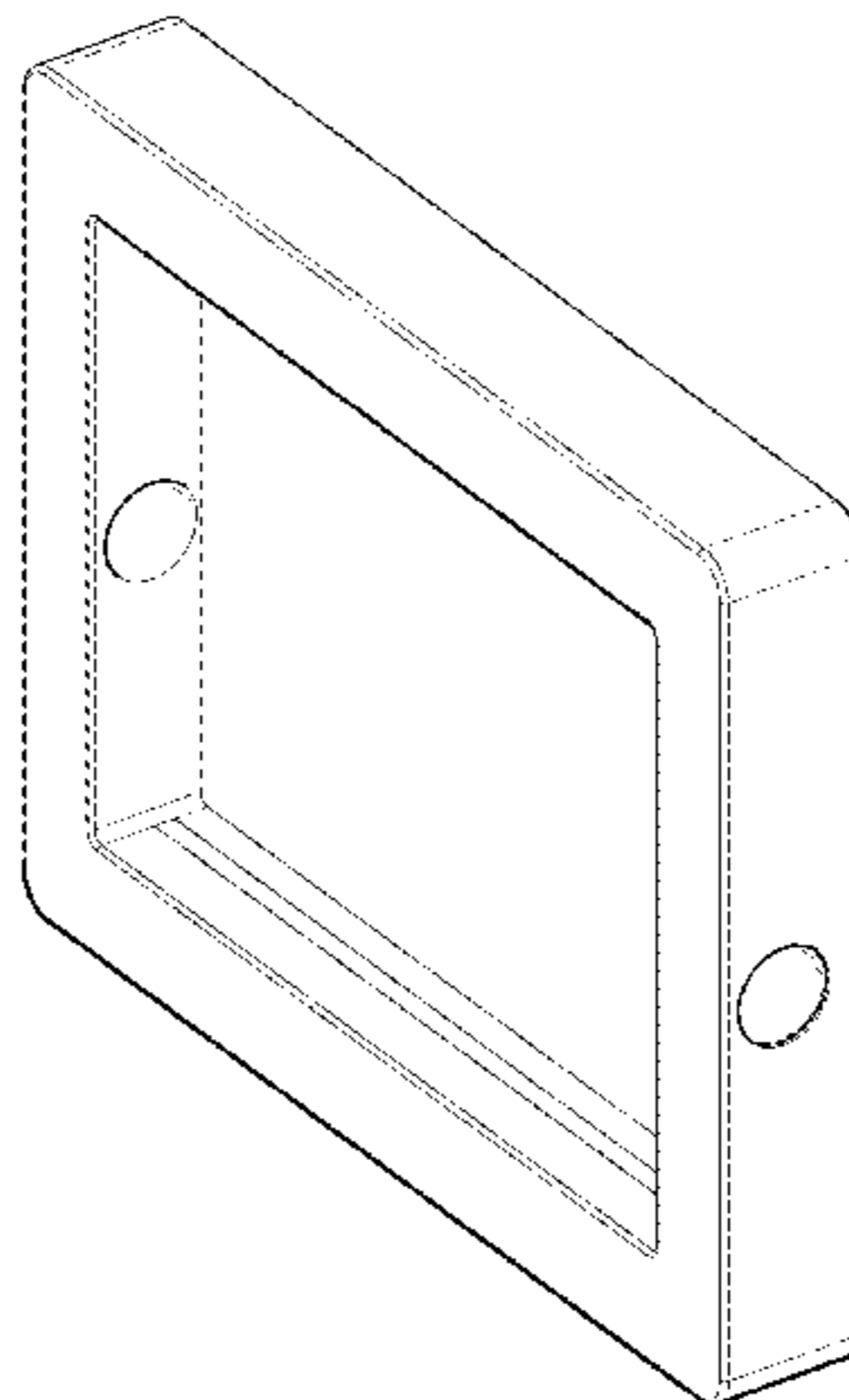
FIG. 11 is another front, left side, environmental, perspective view of the picture frame and front-loading, docking device of FIG. 1, wherein a stand, an electronic device, and a support structure are shown in dashed lines;

FIG. 12 is an additional front, left side, environmental, perspective view of the picture frame and front-loading, docking device of FIG. 1, wherein a stand, a picture or photo, and a support structure are shown in dashed lines; and,

FIG. 13 is a further front, right side, environmental, perspective view of the picture frame and front-loading, docking device of FIG. 1, wherein an electronic device and another support structure are shown in dashed lines.

The broken lines shown in FIGS. 2 and 9-13 are included for the purpose of illustrating portions of the picture frame and the environment that form no part of the claimed design.

**1 Claim, 13 Drawing Sheets**



(56)

## References Cited

## OTHER PUBLICATIONS

## U.S. PATENT DOCUMENTS

D468,276	S *	1/2003	Chang	.....	D14/126
D477,300	S *	7/2003	Goodwin	.....	D14/168
D506,074	S *	6/2005	Chen et al.	.....	D6/300
D566,071	S *	4/2008	Kaneko	.....	D14/126
D570,610	S *	6/2008	Chuang	.....	D6/300
D571,560	S *	6/2008	Liu et al.	.....	D6/300
D572,023	S *	7/2008	Park	.....	D6/300
D609,782	S *	2/2010	Whatley	.....	D23/249
D613,510	S *	4/2010	Tzeng et al.	.....	D6/308
D636,610	S *	4/2011	Caubel	.....	D6/300
D654,703	S *	2/2012	LeMay	.....	D6/300
8,231,099	B2	7/2012	Chen		
8,385,054	B2	2/2013	Liu et al.		
D680,108	S *	4/2013	Kumagai et al.	.....	D14/336
D680,526	S *	4/2013	Gammon et al.	.....	D14/341
D692,877	S *	11/2013	Zuege	.....	D14/341
D697,506	S *	1/2014	Bianco et al.	.....	D14/336
D697,910	S *	1/2014	Bianco et al.	.....	D14/336
D700,154	S *	2/2014	Zimmer	.....	D14/126
2009/0165351	A1 *	7/2009	Hsu	.....	40/799
2011/0026749	A1	2/2011	Yaun		
2011/0204758	A1	8/2011	Loncar et al.		
2012/0236527	A1	9/2012	Zhou et al.		
2012/0285061	A1	11/2012	Angon		
2012/0312936	A1	12/2012	Huang		
2013/0009024	A1	1/2013	Liu		
2013/0048809	A1	2/2013	Jacobson		

iPad frame, available Jul. 9, 2012, [online], [site visited Aug. 8, 2014]. Available from internet, <URL: <http://www.theipadframe.com/products/ipad-2-frame>.\*

iPad speaker frame, available May 4, 2012, [online], [site visited Aug. 8, 2014]. Available from internet, <URL: <http://www.wired.com/2012/05/beoplay-a3-ipad-speaker/>.\*

iDock, available Jan. 9, 2012, [online], [site visited Aug. 8, 2014]. Available from internet, <URL: <http://www.ilounge.com/index.php/news/comments/bracketron-unveils-iroom-idock-touchcode-for-ipad/>.\*

<http://www.youtube.com/watch?v=sOTysvYzCF8>.

<http://www.aartech.ca/a0602-ipad-wall-dock-usb-charging.html>.

<http://www.designswan.com/archives/11-cool-ipad-stands-and-docks-to-stylize-your-tablet.html>.

<http://store.griffintechology.com/survivor-slim-for-ipad-air>.

[http://www.ipadwallbracket.com/sw/swchannel/productcatalogcf\\_v2/internet/model.asp?defTa](http://www.ipadwallbracket.com/sw/swchannel/productcatalogcf_v2/internet/model.asp?defTa) . . . .

<http://www.ipadwallbracket.com/>.

<http://gadgetsin.com/multi-purpose-ipad-frame-dock.htm>.

[www.olea.com/compadre-ipad-stand.html](http://www.olea.com/compadre-ipad-stand.html).

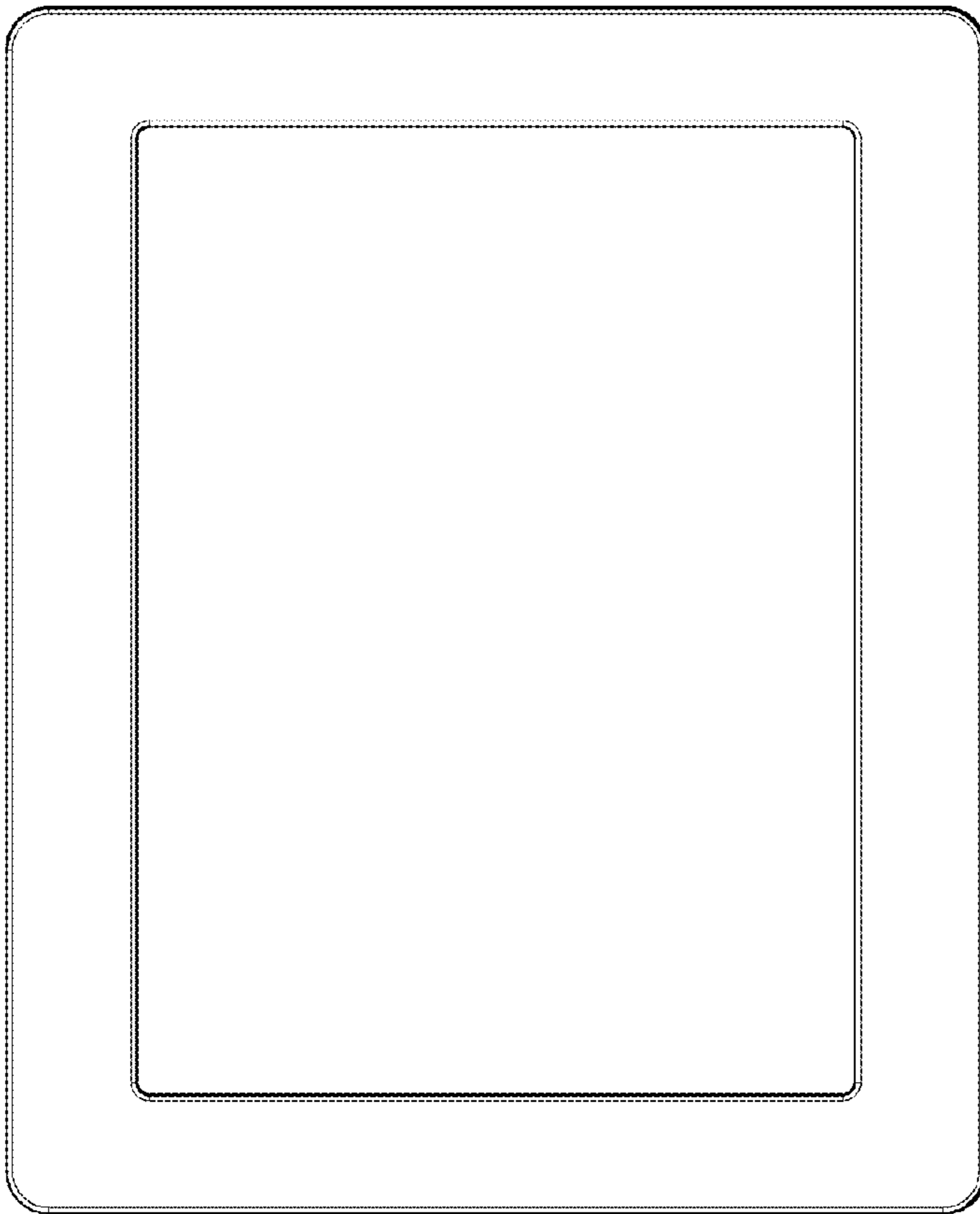
[www.loxone.com/Pages/en/produkte/iPAD-WALLMOUNT/wallmount.aspx](http://www.loxone.com/Pages/en/produkte/iPAD-WALLMOUNT/wallmount.aspx).

[www.modulr.com](http://www.modulr.com).

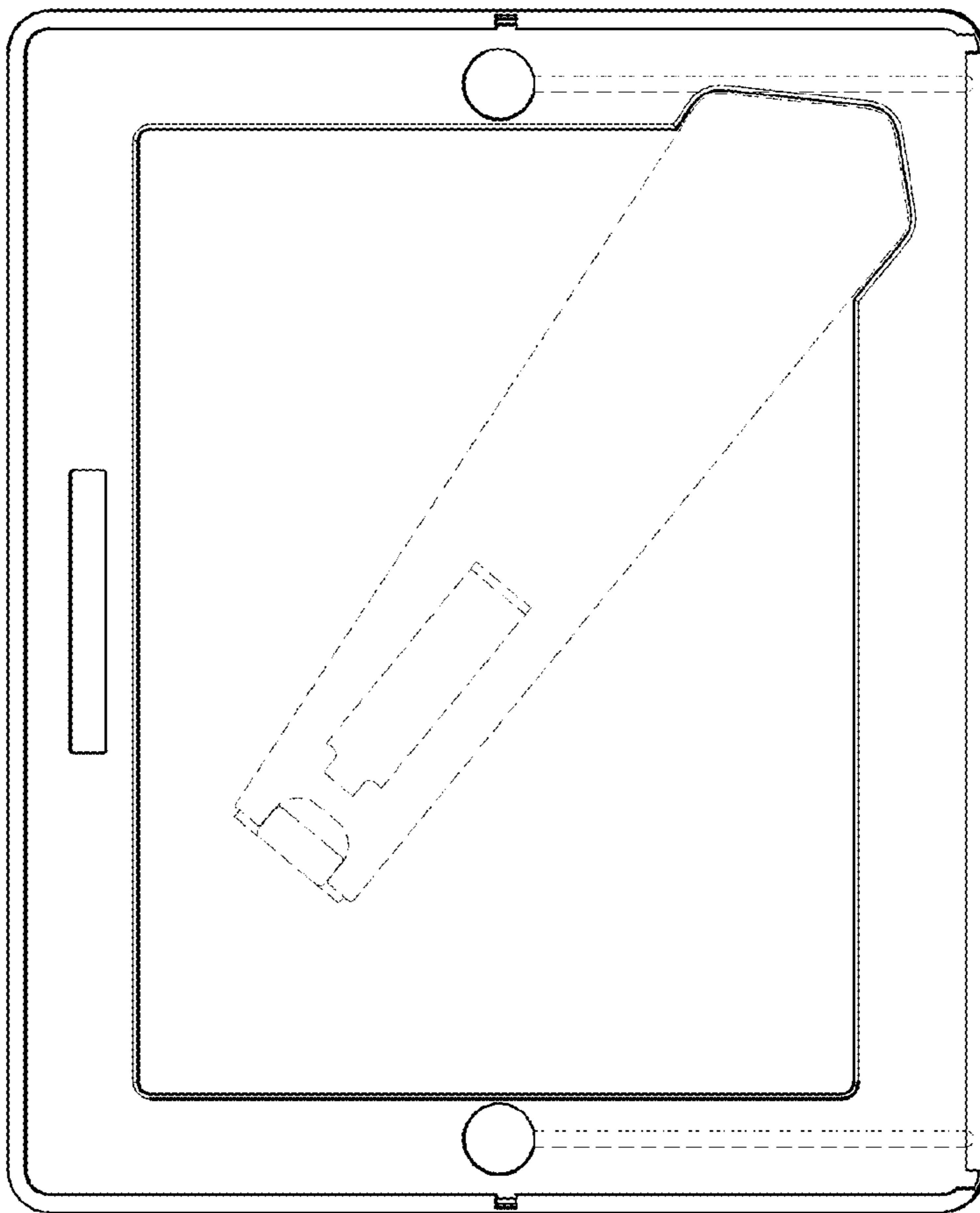
[www.thepadtab.com](http://www.thepadtab.com).

[www.theipadframe.com/pages/gallery](http://www.theipadframe.com/pages/gallery).

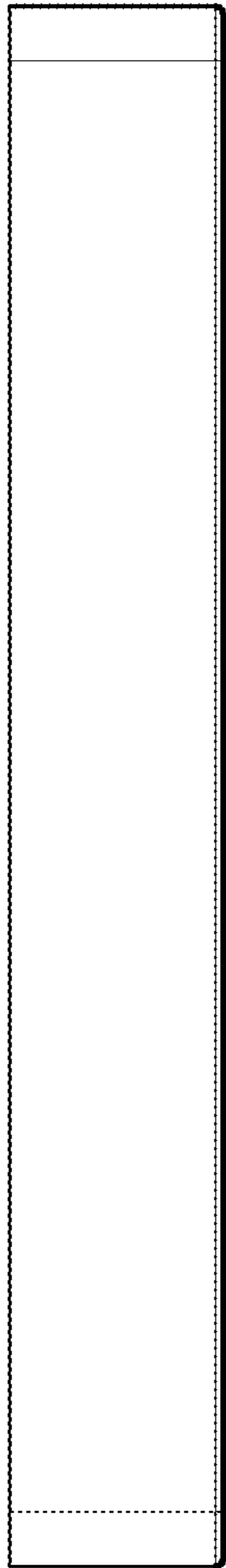
\* cited by examiner



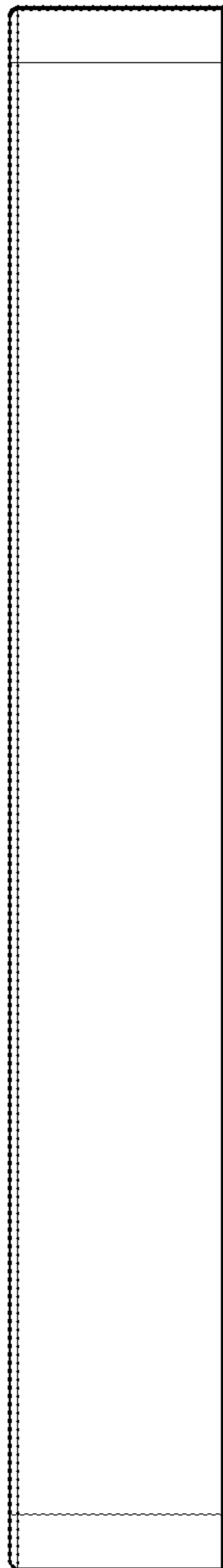
*FIG. 1*



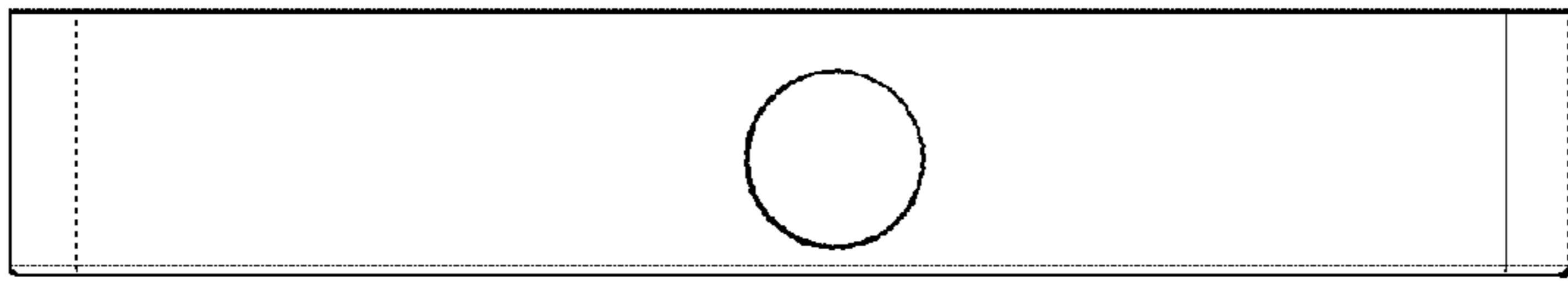
*FIG. 2*



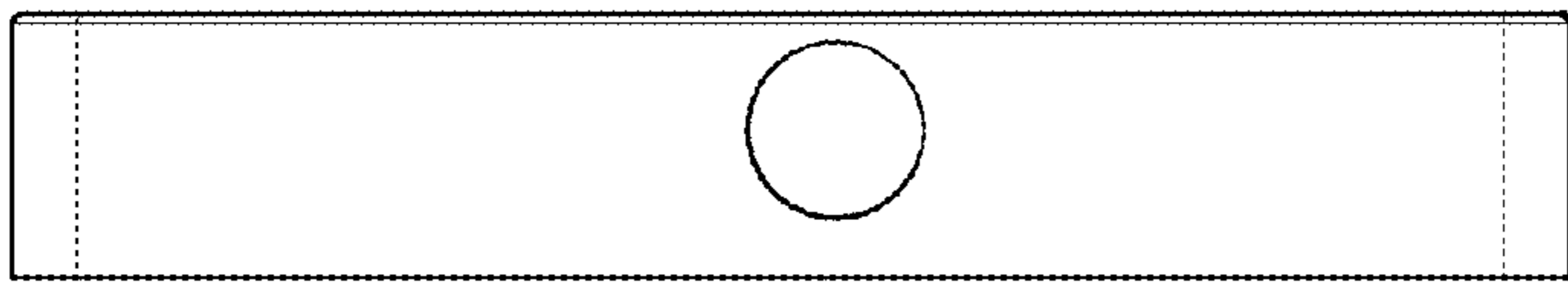
*FIG. 3*



*FIG. 4*

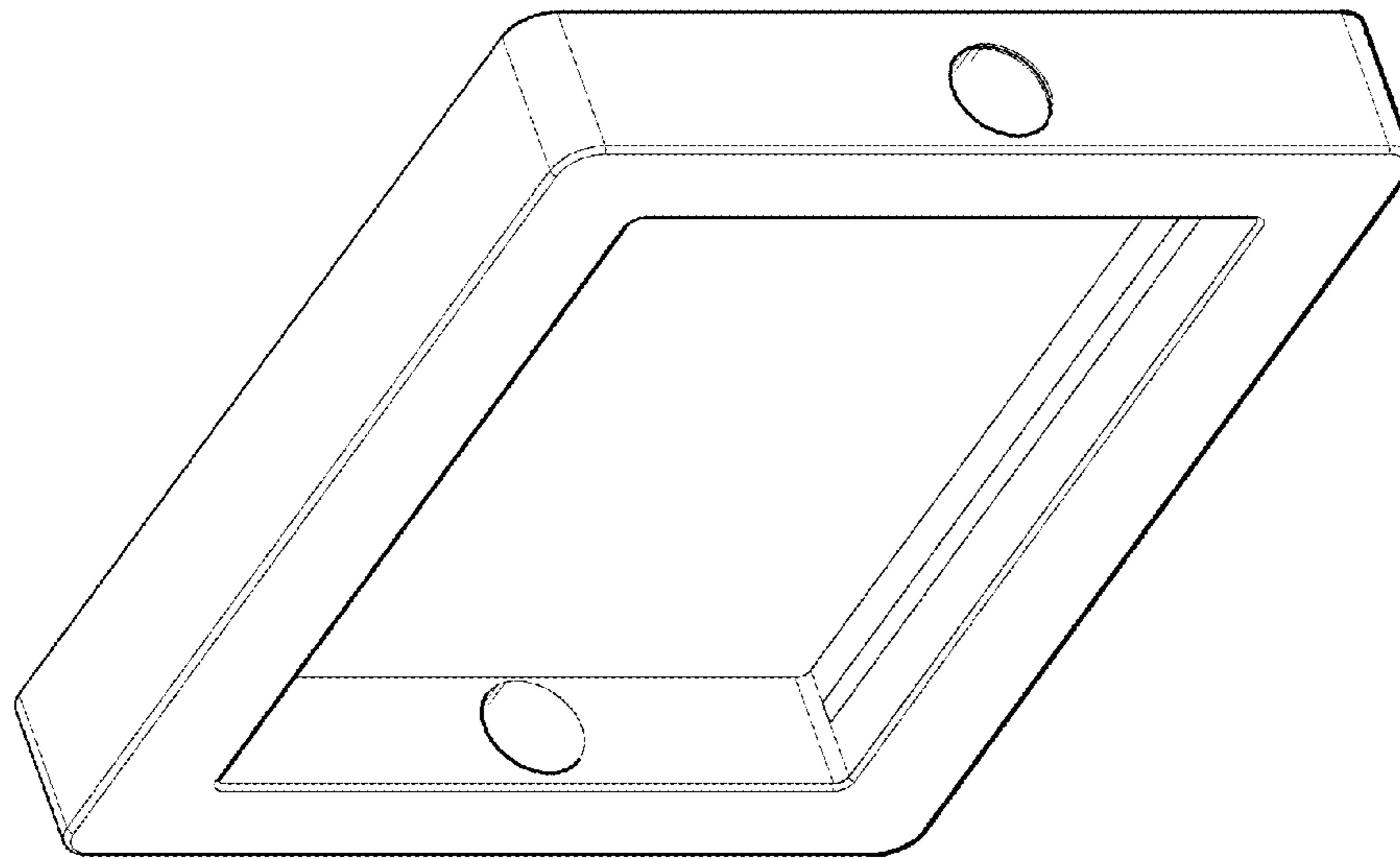


*FIG. 5*

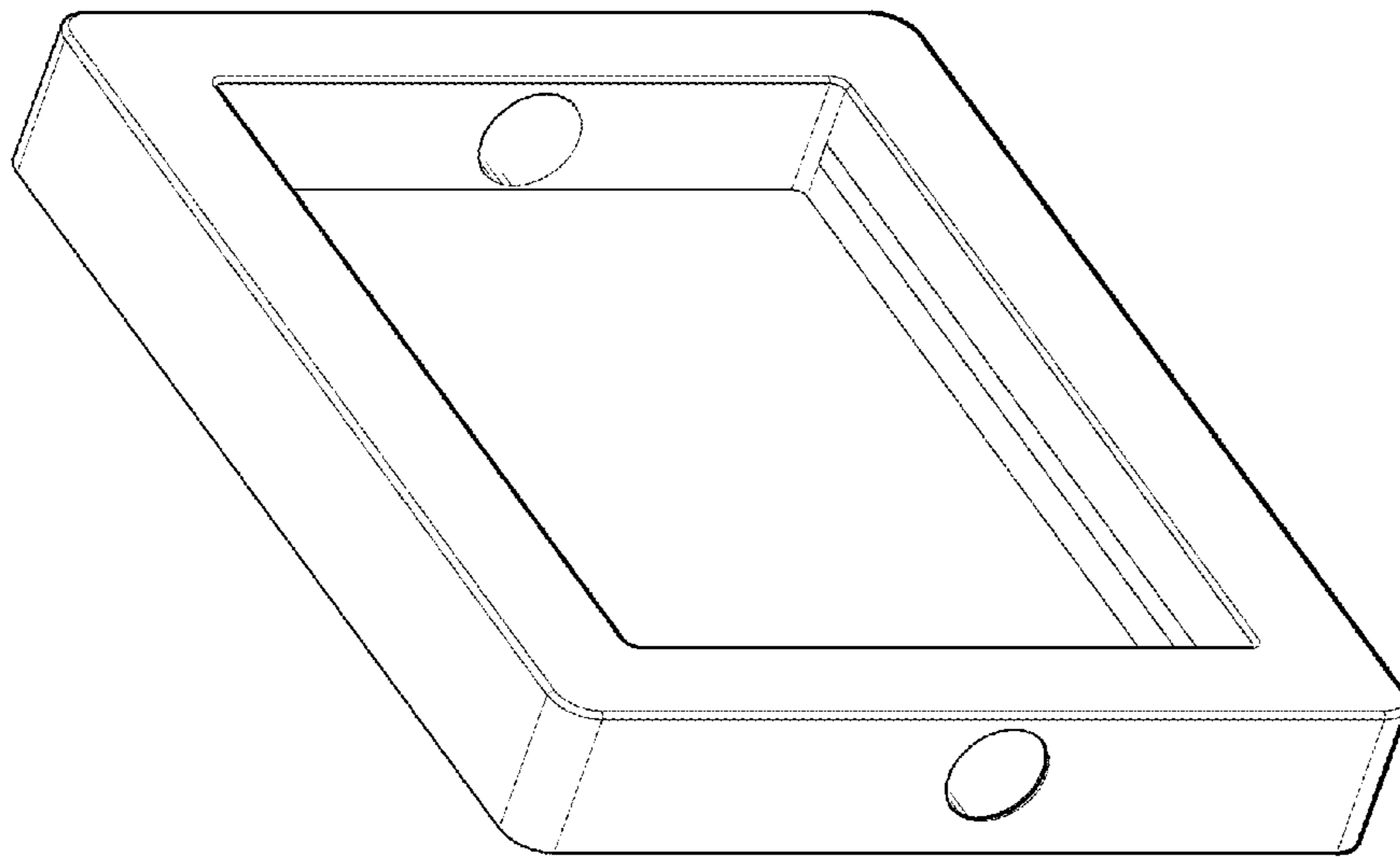


*FIG. 6*

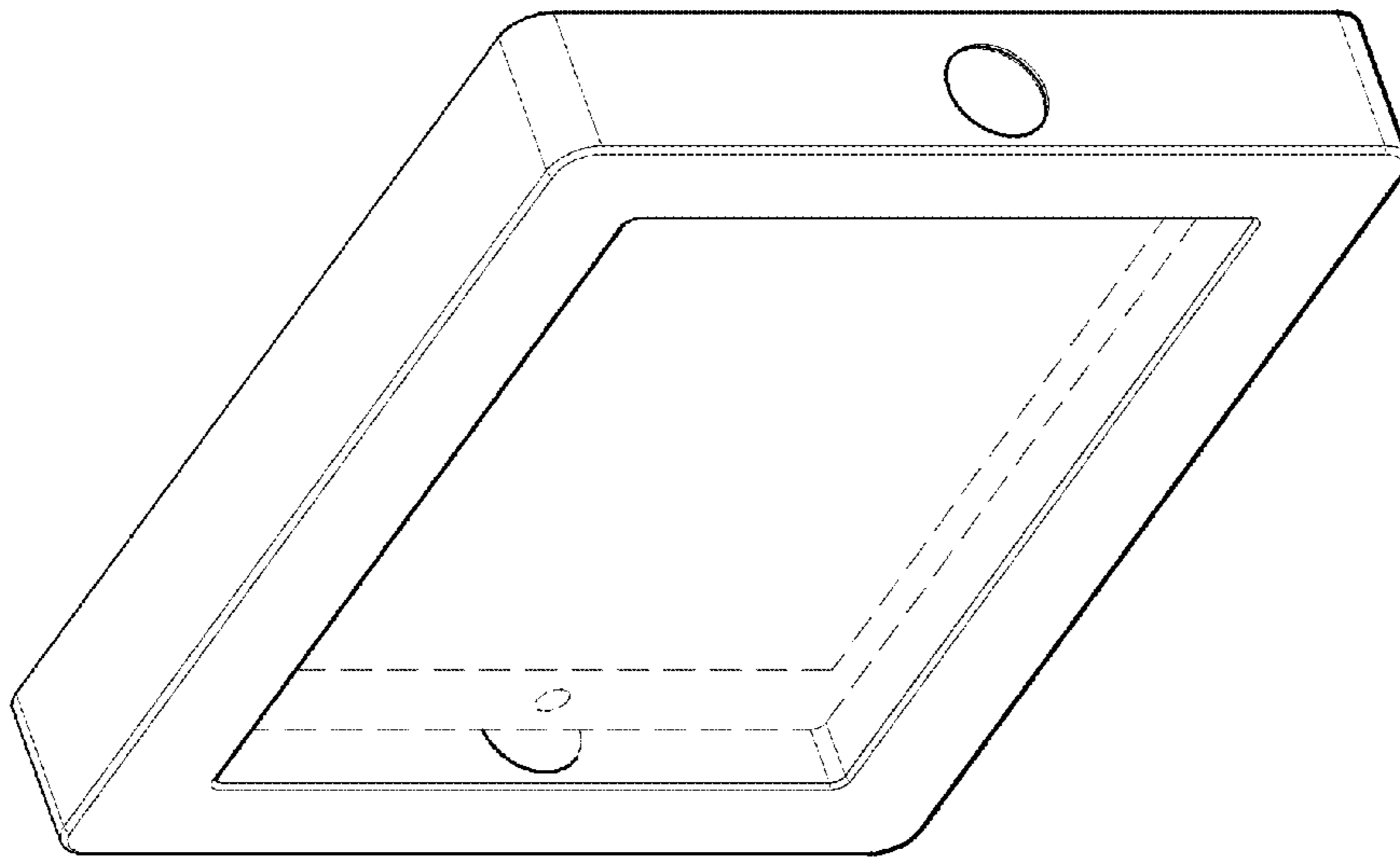




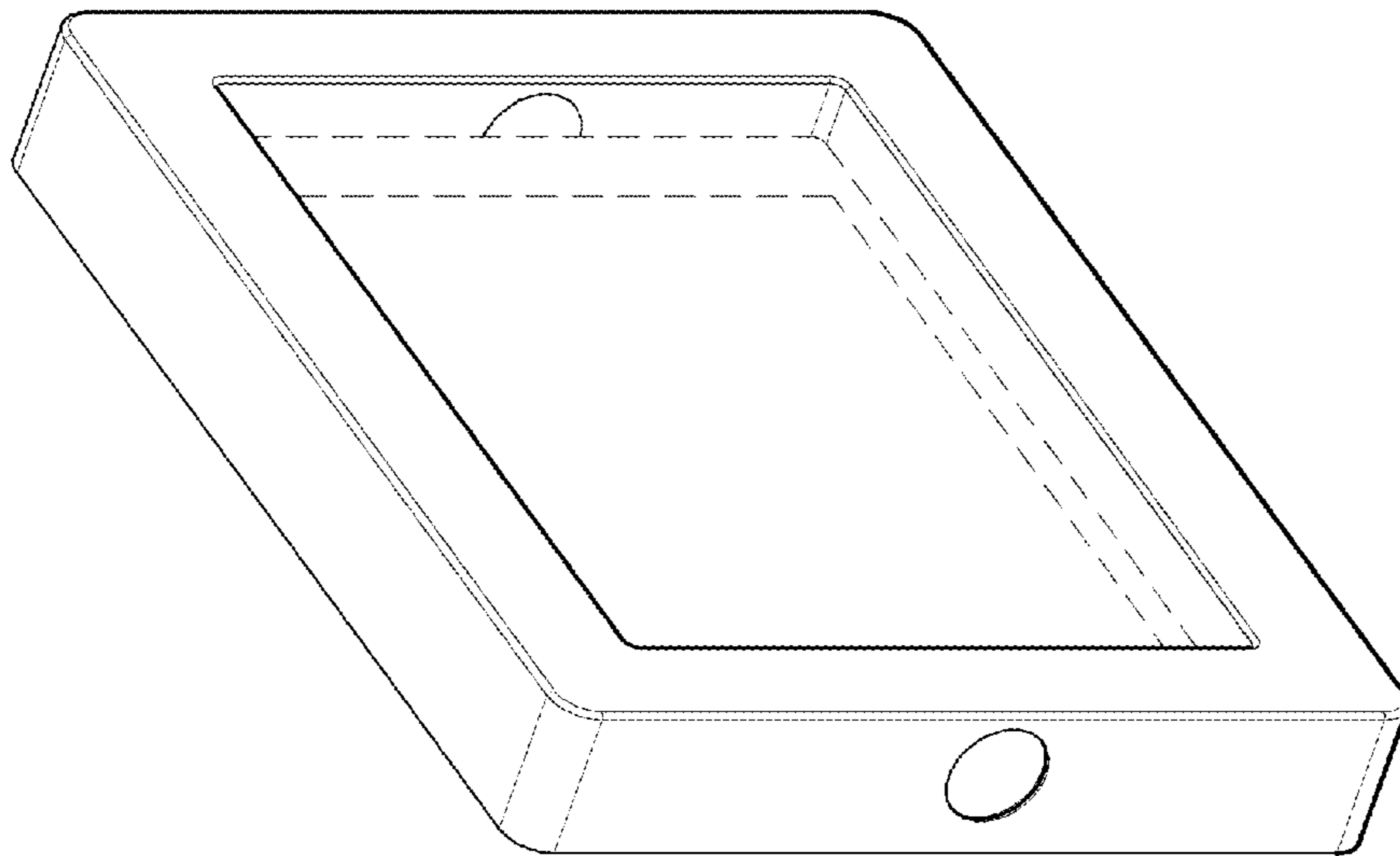
**FIG. 7**



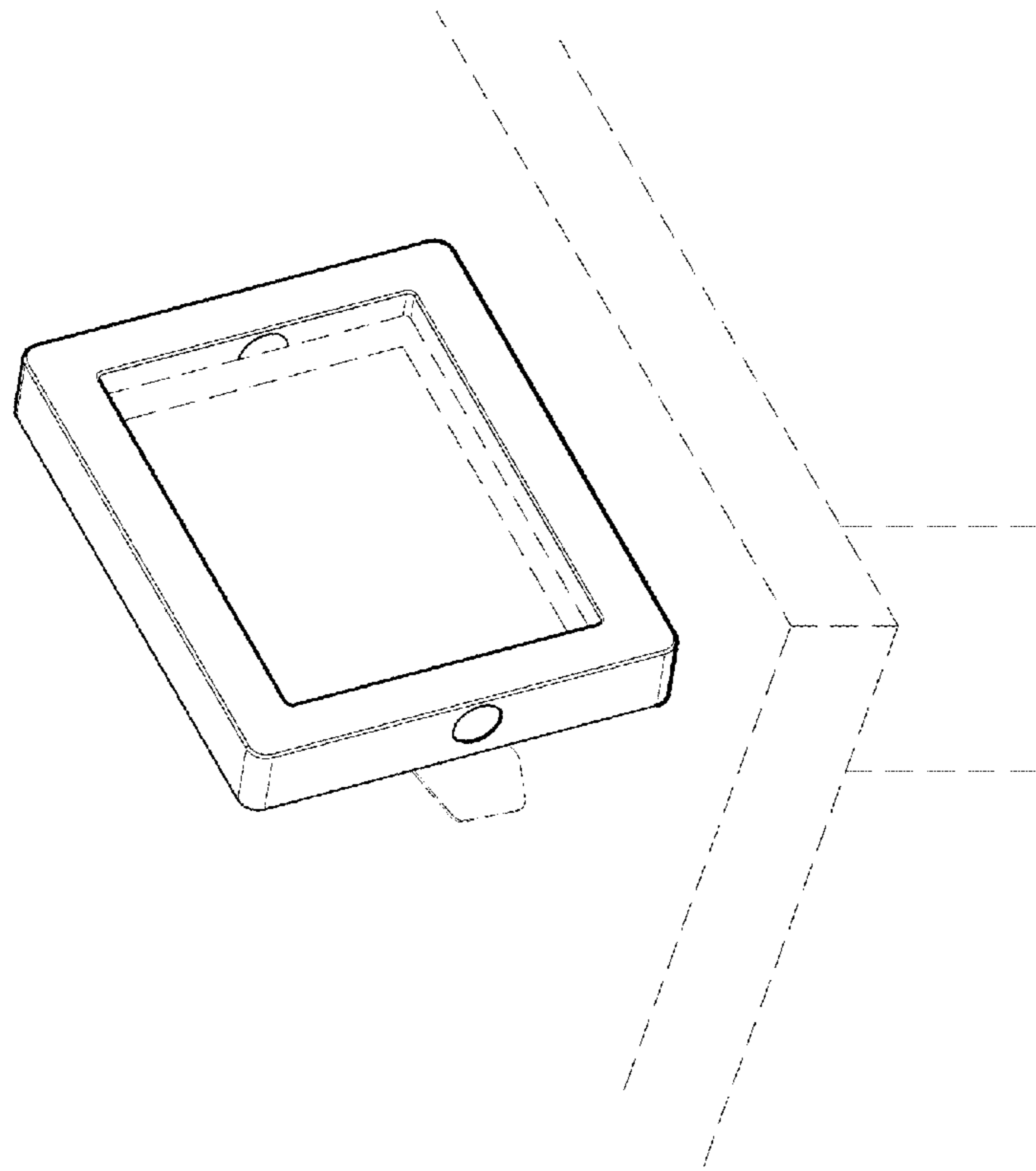
**FIG. 8**



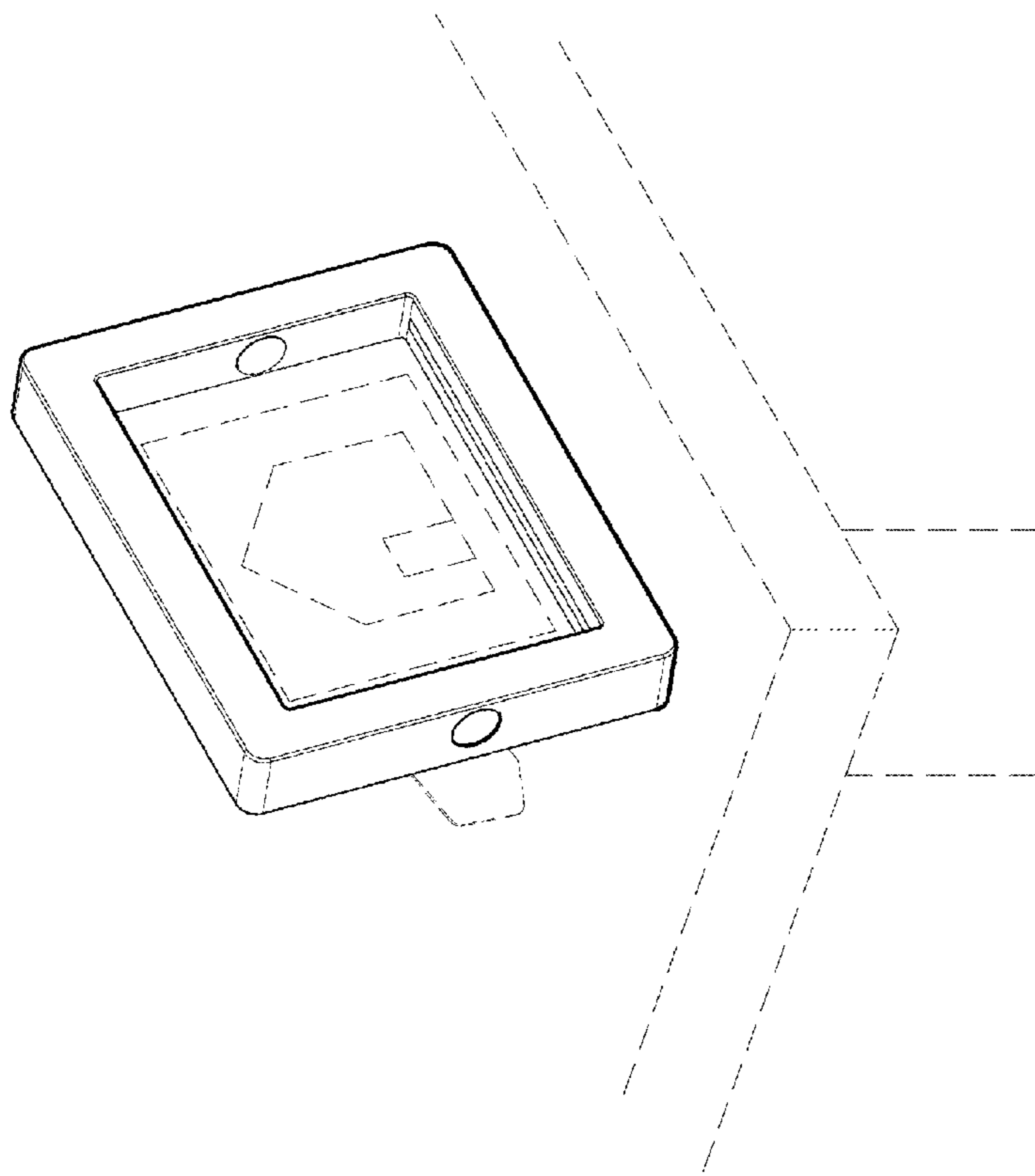
**FIG. 9**



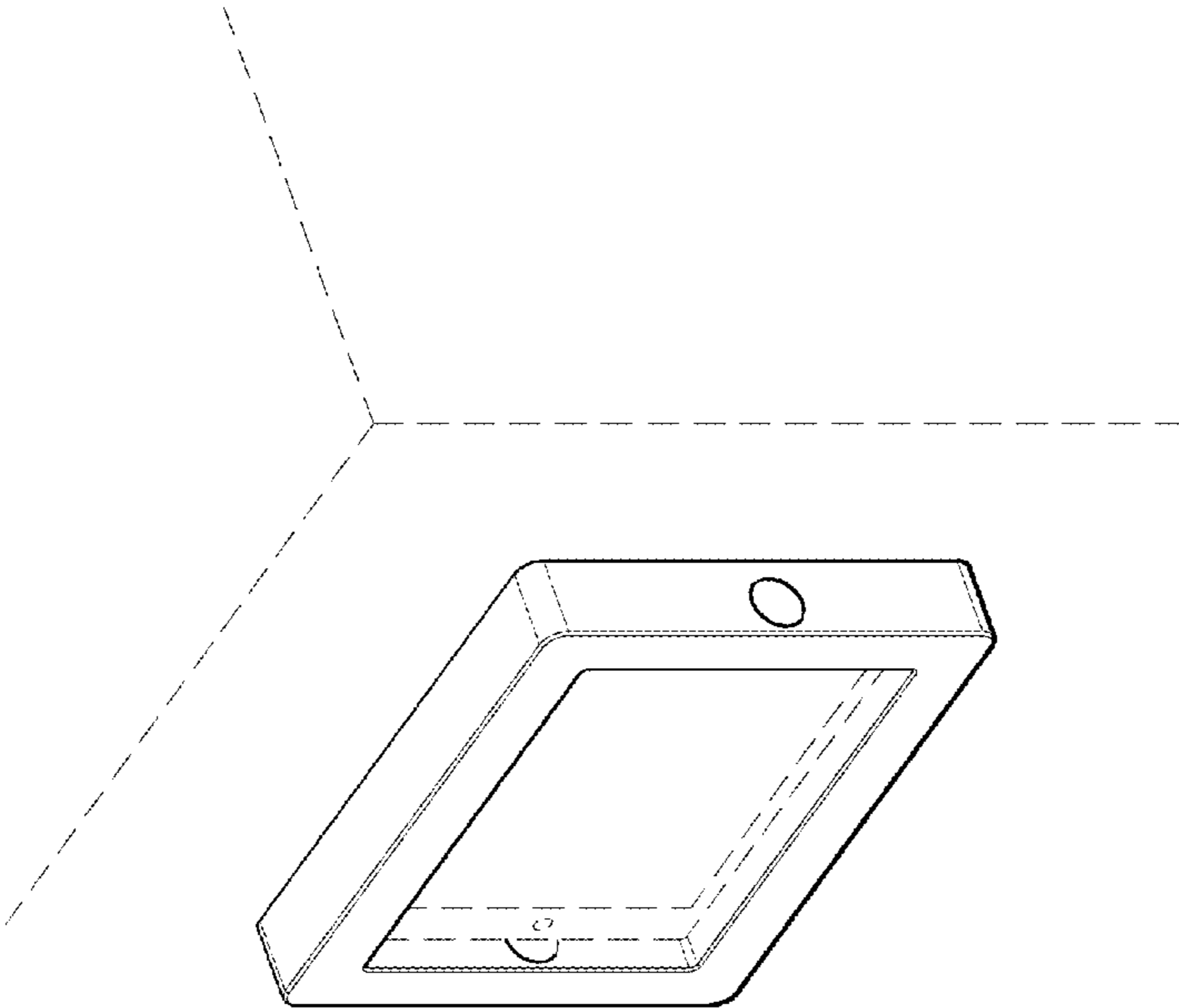
**FIG. 10**



*FIG. 11*



**FIG. 12**



**FIG. 13**