



US00D767287S

(12) **United States Design Patent** (10) **Patent No.:** **US D767,287 S**  
**Kunz** (45) **Date of Patent:** **\*\* Sep. 27, 2016**

(54) **T-SHIRT**  
(71) Applicant: **Richard J. Kunz**, Orland Park, IL (US)  
(72) Inventor: **Richard J. Kunz**, Orland Park, IL (US)  
(\*\*) Term: **14 Years**  
(21) Appl. No.: **29/479,250**  
(22) Filed: **Jan. 14, 2014**  
(51) **LOC (10) Cl.** ..... **05-04**  
(52) **U.S. Cl.**  
USPC ..... **D5/63; D2/717**  
(58) **Field of Classification Search**  
USPC ..... D2/617-619, 717, 840; D5/14, 28, 43,  
D5/44, 55, 56, 58-60, 62-66, 99;  
D25/138, 140, 143-145, 147-151, 157,  
D25/159, 164  
CPC ..... B44F 1/00; B44F 1/08; B44F 3/00;  
B44F 5/00; B44F 9/00; B44F 9/02; B44F  
9/04; B44F 11/04; B44F 11/06; B21H 27/02;  
D04H 1/00; D03D 1/00; D03D 25/00;  
D10B 2503/04; D04B 21/18  
See application file for complete search history.

D642,359 S \* 8/2011 Cullen et al. .... D2/844  
D668,838 S 10/2012 Weinshanker  
D674,577 S \* 1/2013 Persaud ..... D2/840  
D681,964 S \* 5/2013 Romano et al. .... D5/59  
D684,751 S 6/2013 Lahham  
2003/0107585 A1\* 6/2003 Samuelson ..... 345/629  
2004/0076798 A1\* 4/2004 Larsson et al. .... 428/153

**OTHER PUBLICATIONS**

Marvel Worldwide, Inc., Spiderman.  
Marvel Worldwide, Inc., Wolverine.  
Marvel Worldwide, Inc., Deadpool.  
Marvel Worldwide, Inc., Iron Man.  
DC Comics, Inc., Batman.  
DC Comics, Inc., Catwoman.  
Funko Pop! Batman.  
Answers Africa, Zombie; <http://answersafrica.com/wp-content/uploads/2013/07/zombie-Attack.jpg>.

\* cited by examiner

*Primary Examiner* — Celia Murphy  
*Assistant Examiner* — Clare Ann Gannon  
(74) *Attorney, Agent, or Firm* — Beem Patent Law Firm

(57) **CLAIM**  
The ornamental design for a T-shirt, as shown and described.

(56) **References Cited**

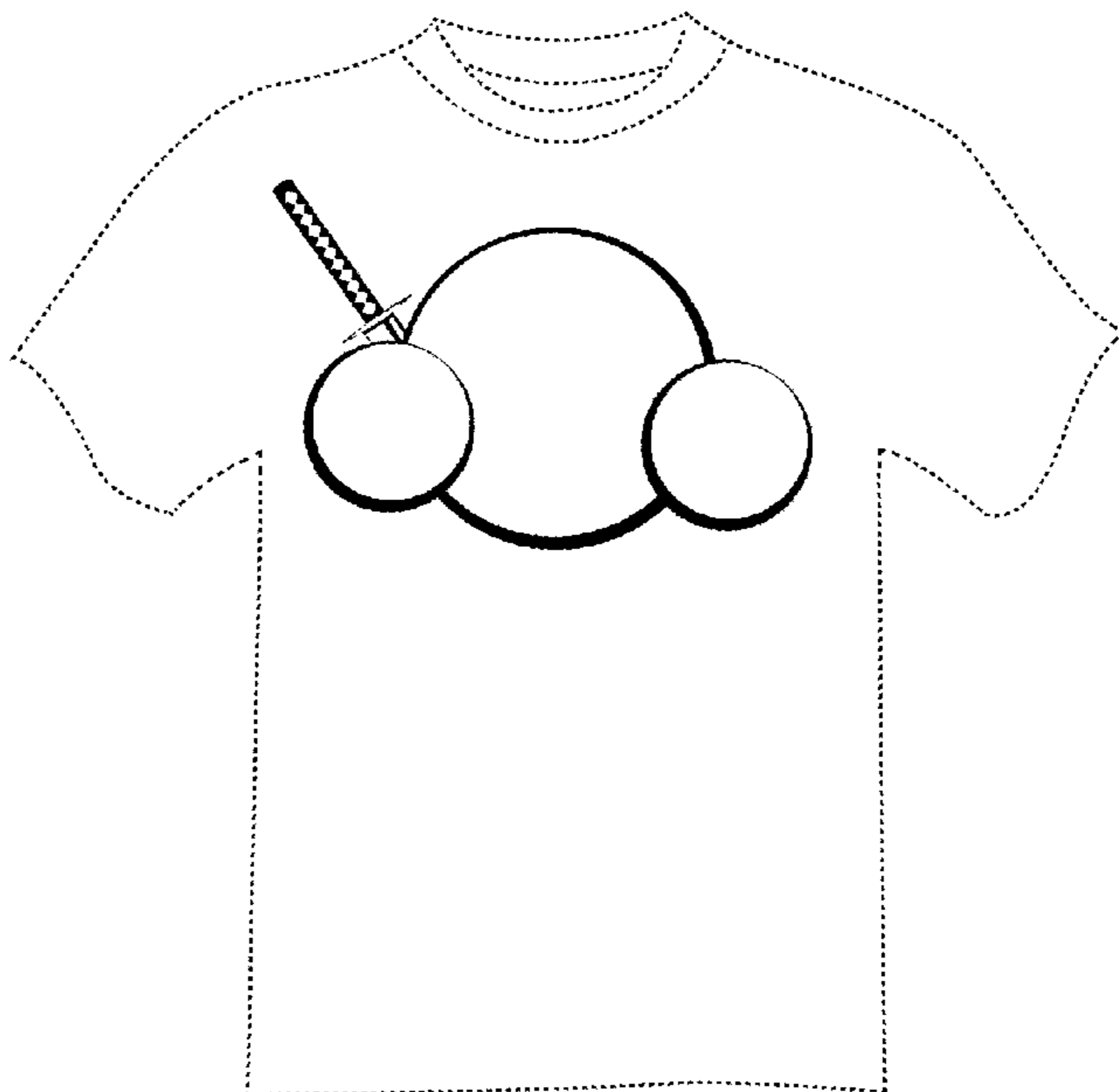
**U.S. PATENT DOCUMENTS**

D44,139 S \* 6/1913 Reis ..... D5/63  
D64,719 S \* 5/1924 Bunting ..... D5/59  
D97,703 S \* 12/1935 Emmy ..... D5/64  
D98,111 S \* 1/1936 Emmy ..... D5/64  
D134,175 S \* 10/1942 Keil ..... D5/65  
D249,296 S \* 9/1978 Friedman ..... D2/717  
D503,258 S \* 3/2005 Gearhart ..... D2/717  
D524,516 S \* 7/2006 Saruhashi ..... D2/717  
D632,057 S \* 2/2011 Hoffman et al. .... D2/717

**DESCRIPTION**

FIG. 1 is a front view of a T-shirt showing my new design; and,  
FIG. 2 is a front view of an alternate embodiment of the design shown in FIG. 1.  
The broken lines showing a T-shirt and graphics depict the portion of the article that forms no part of the claimed design.

**1 Claim, 1 Drawing Sheet**



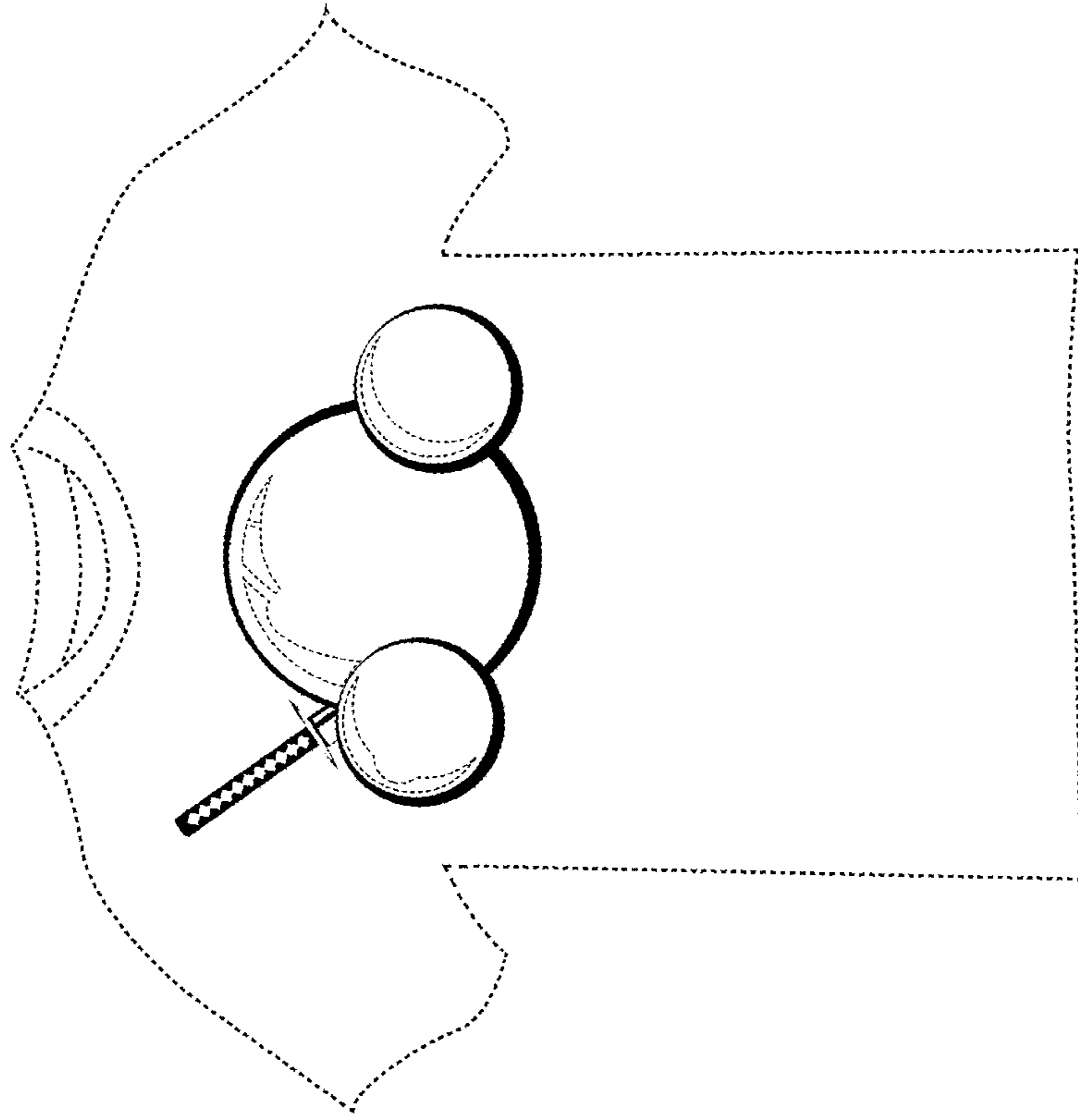


Figure 2

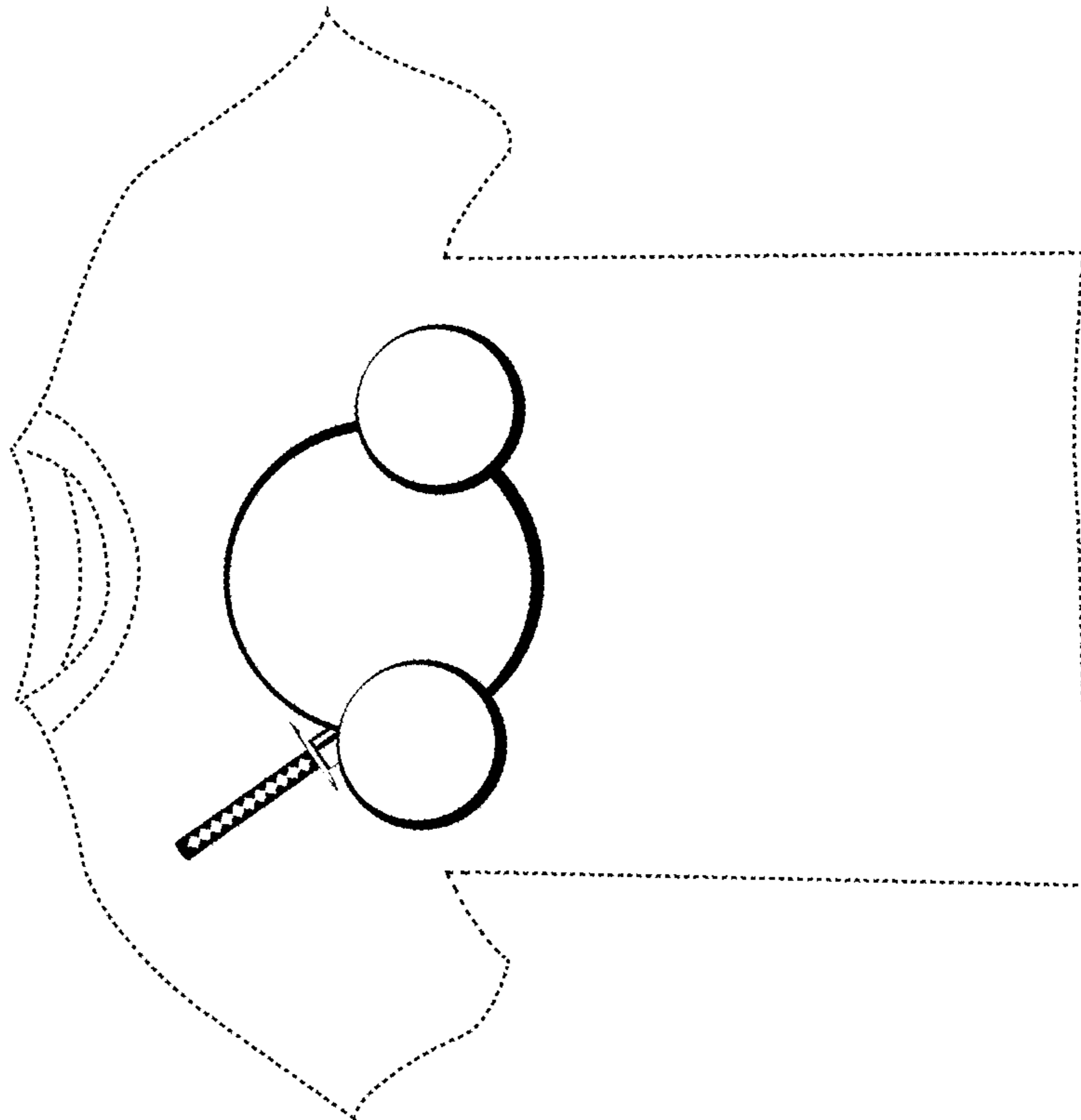


Figure 1