



US00D767282S

(12) **United States Design Patent**  
**Eilmus**

(10) **Patent No.:** **US D767,282 S**  
(45) **Date of Patent:** **\*\* Sep. 27, 2016**

- (54) **CLEANING TOOL**
- (71) Applicant: **Kohler Co.**, Kohler, WI (US)
- (72) Inventor: **Niels J. Eilmus**, Sheboygan, WI (US)
- (73) Assignee: **KOHLER CO.**, Kohler, WI (US)
- (\*\*) Term: **14 Years**
- (21) Appl. No.: **29/470,936**
- (22) Filed: **Oct. 25, 2013**
- (51) **LOC (10) Cl.** ..... **04-01**
- (52) **U.S. Cl.**  
USPC ..... **D4/130**
- (58) **Field of Classification Search**  
USPC ..... D4/118, 135; D32/42, 46, 47;  
15/111-113, 117, 159.1, 160  
CPC ..... A46B 9/00; A46B 9/005; A46B 9/02;  
A46B 15/0055; A46B 15/0081; A46B  
15/0095; A46B 15/0097; A46B 2200/03;  
A46B 2200/3006; A46B 2200/3026; A46B  
2200/3033; A46B 2200/3073; A47L 17/00;  
A47L 17/04; A47L 17/06  
See application file for complete search history.

(56) **References Cited**

**U.S. PATENT DOCUMENTS**

- 120,090 A \* 10/1871 Osgood ..... A46B 15/0055  
15/111
- 1,525,210 A \* 2/1925 Stein ..... A46B 5/00  
15/111
- D218,388 S \* 8/1970 Whitaker ..... D4/118
- 5,485,647 A \* 1/1996 Durst ..... A47L 13/08  
15/111

- 5,615,441 A \* 4/1997 Savini ..... A44C 25/00  
15/111
- D688,433 S \* 8/2013 Morcott ..... D32/47

**FOREIGN PATENT DOCUMENTS**

CN 301441309 S \* 1/2011

\* cited by examiner

*Primary Examiner* — Rosemary K Tarcza

*Assistant Examiner* — Christy Nemeth

(74) *Attorney, Agent, or Firm* — Foley & Lardner LLP

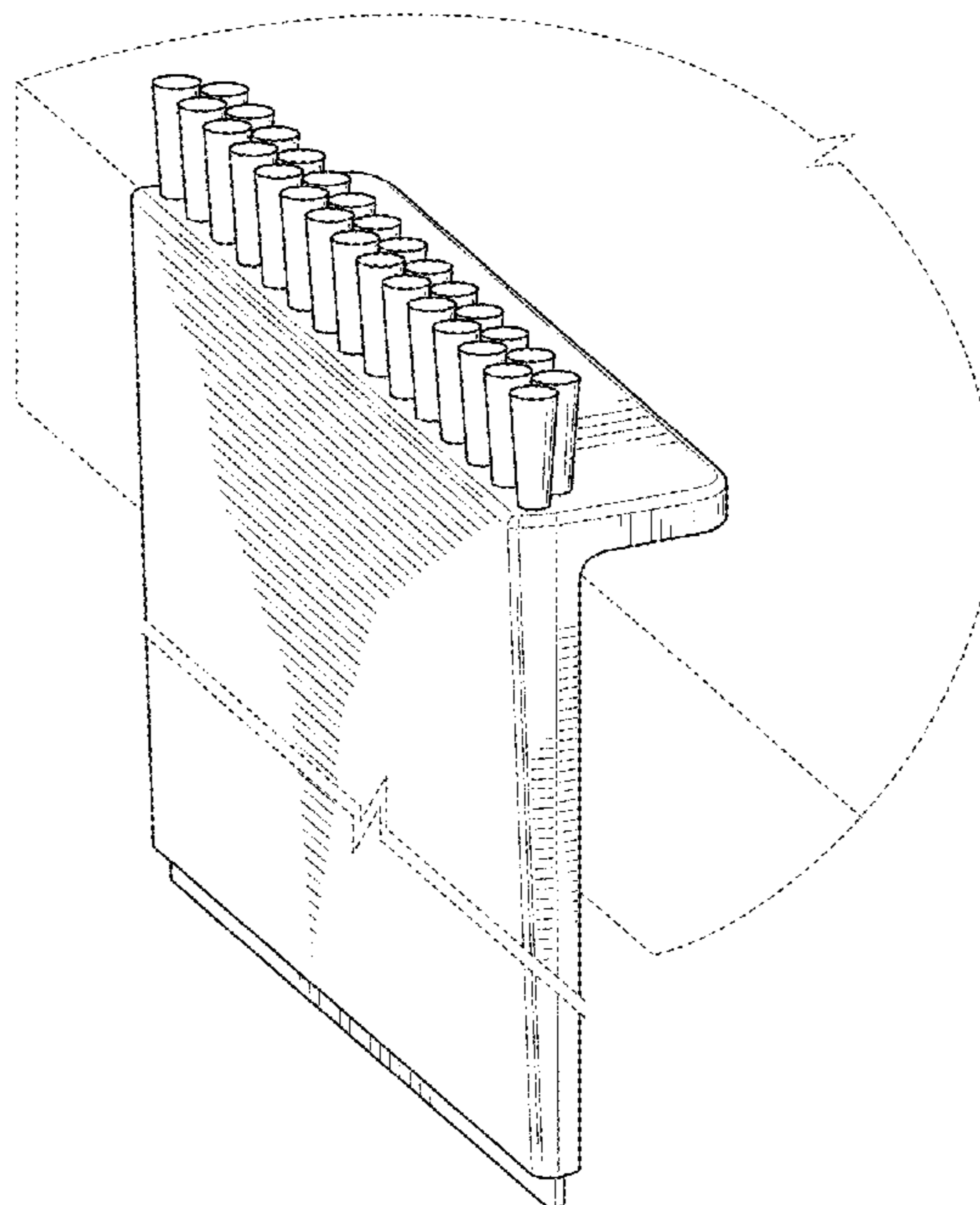
(57) **CLAIM**

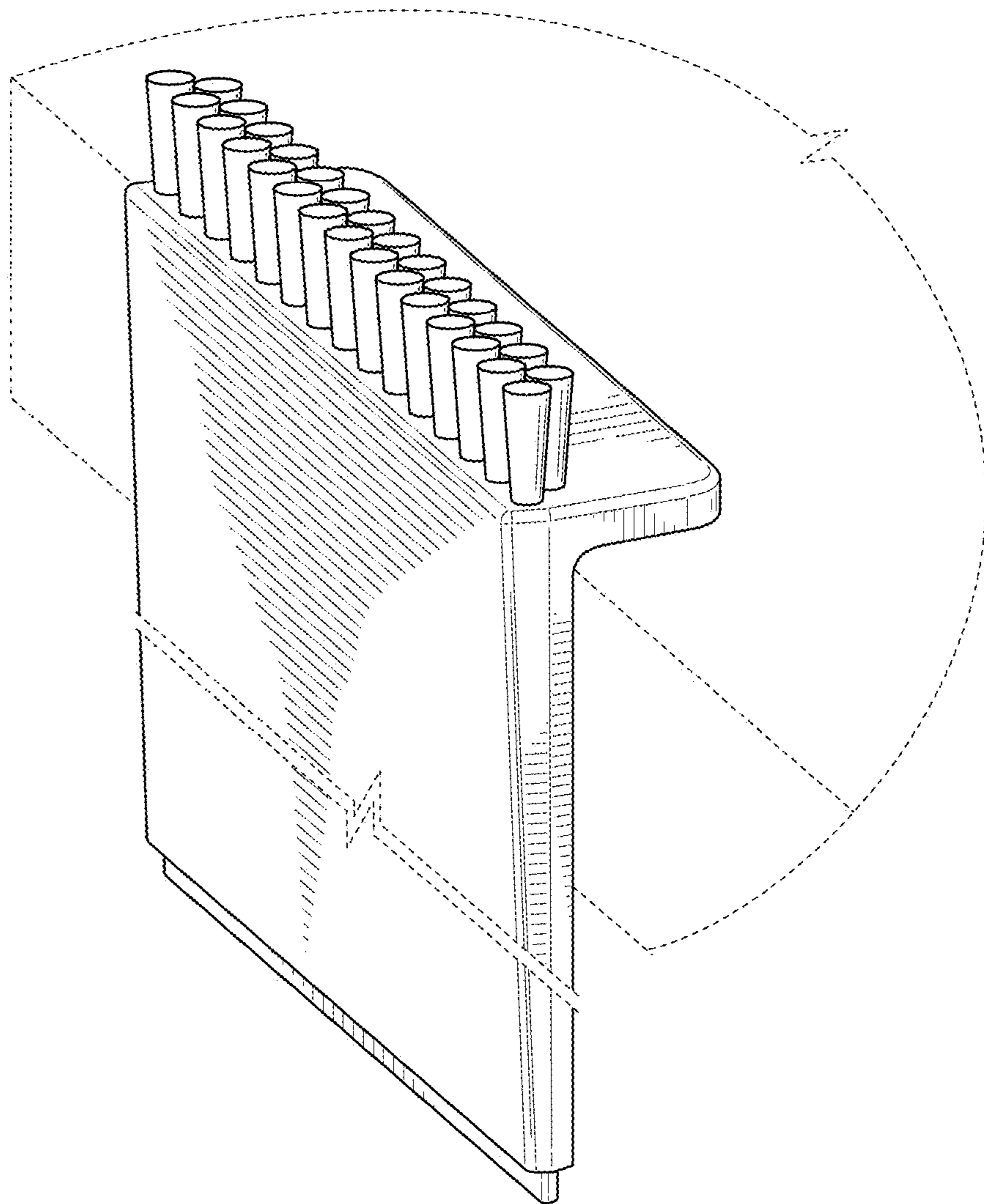
I claim the ornamental design for a cleaning tool, as shown and described.

**DESCRIPTION**

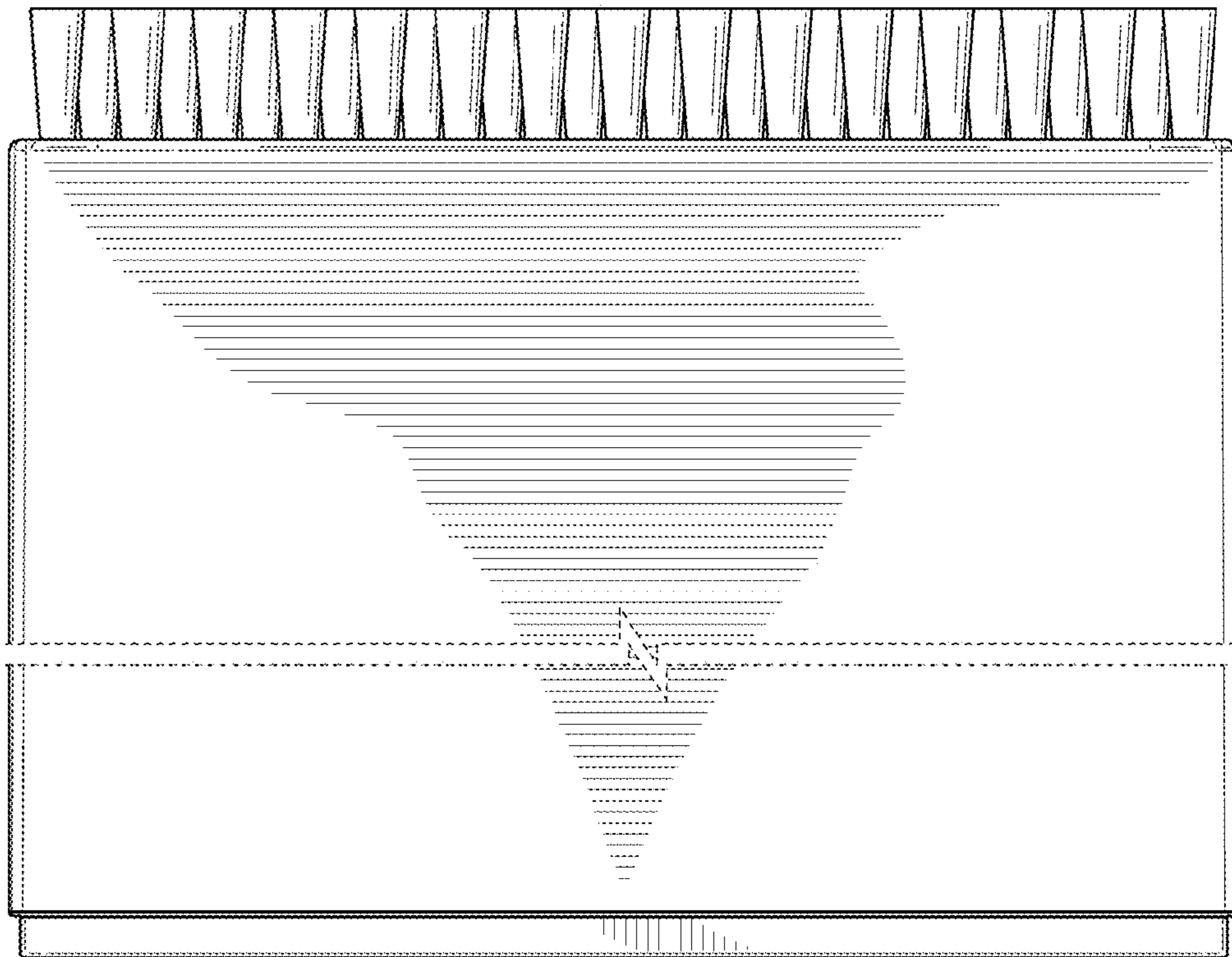
FIG. 1 is a perspective view of a cleaning tool; FIG. 2 is a front plan view of the design of FIG. 1; FIG. 3 is a rear plan view of the design of FIG. 1; FIG. 4 is a right side plan view of the design of FIG. 1; FIG. 5 is a left side plan view of the design of FIG. 1; FIG. 6 is a top plan view of the design of FIG. 1; and, FIG. 7 is a bottom plan view of the design of FIG. 1. The ornamental design which is claimed is shown in solid lines in the drawings. The broken lines illustrating a supporting structure in FIG. 1 are for the purpose of illustrating environmental structure only, and form no part of the claimed design. The cleaning tool is shown with a symbolic break in its length. The appearance of any portion of the article between the break lines forms no part of the claimed design. The areas of the body shown in broken lines in FIG. 3 illustrate portions of the cleaning tool that form no part of the claimed design.

**1 Claim, 3 Drawing Sheets**

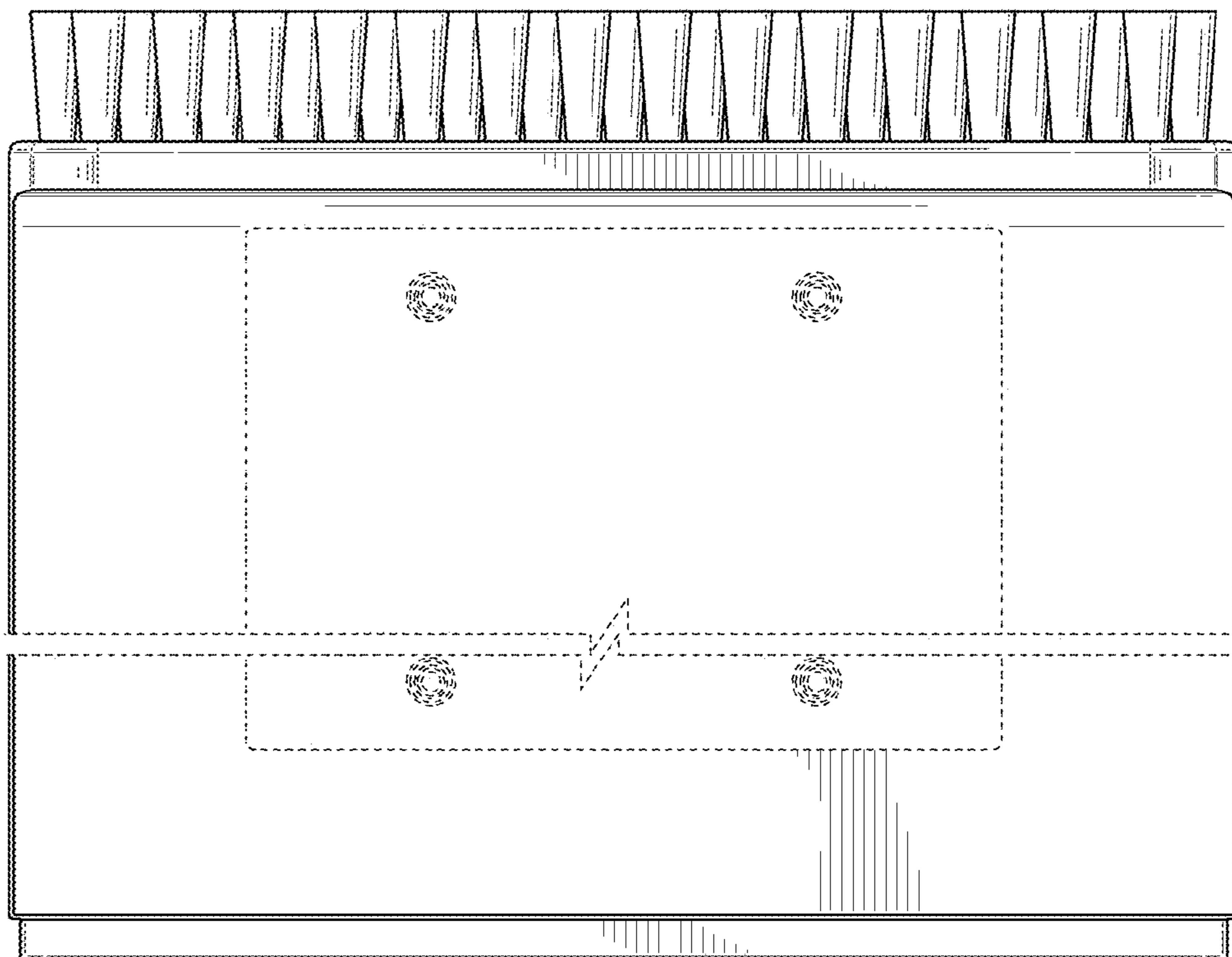




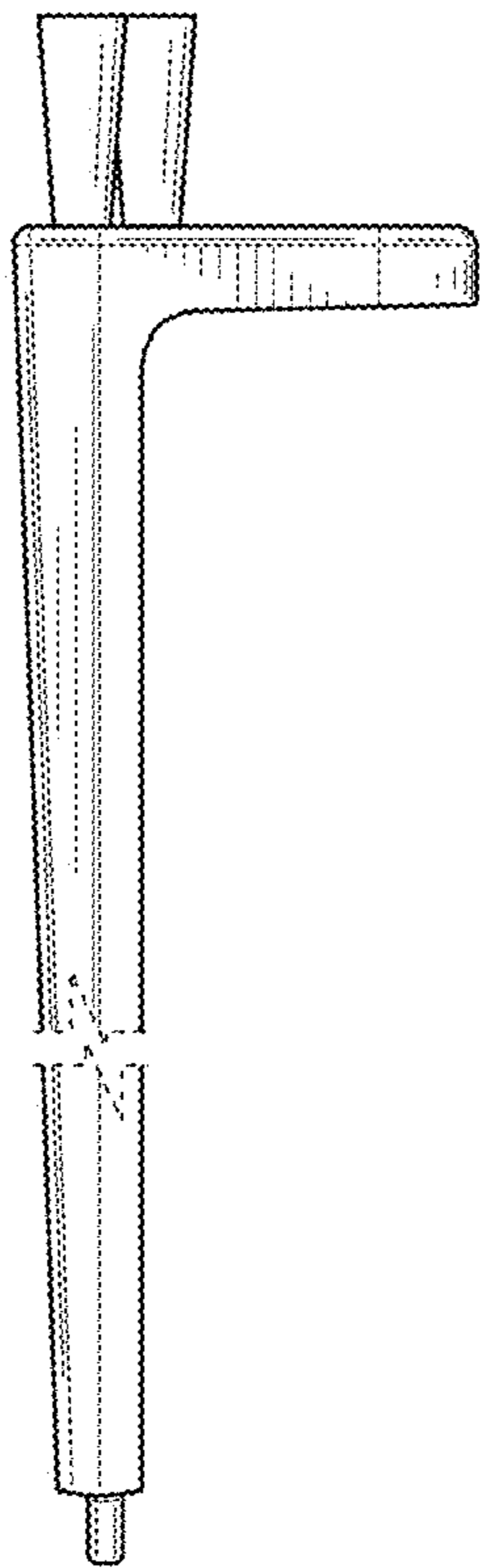
**FIG. 1**



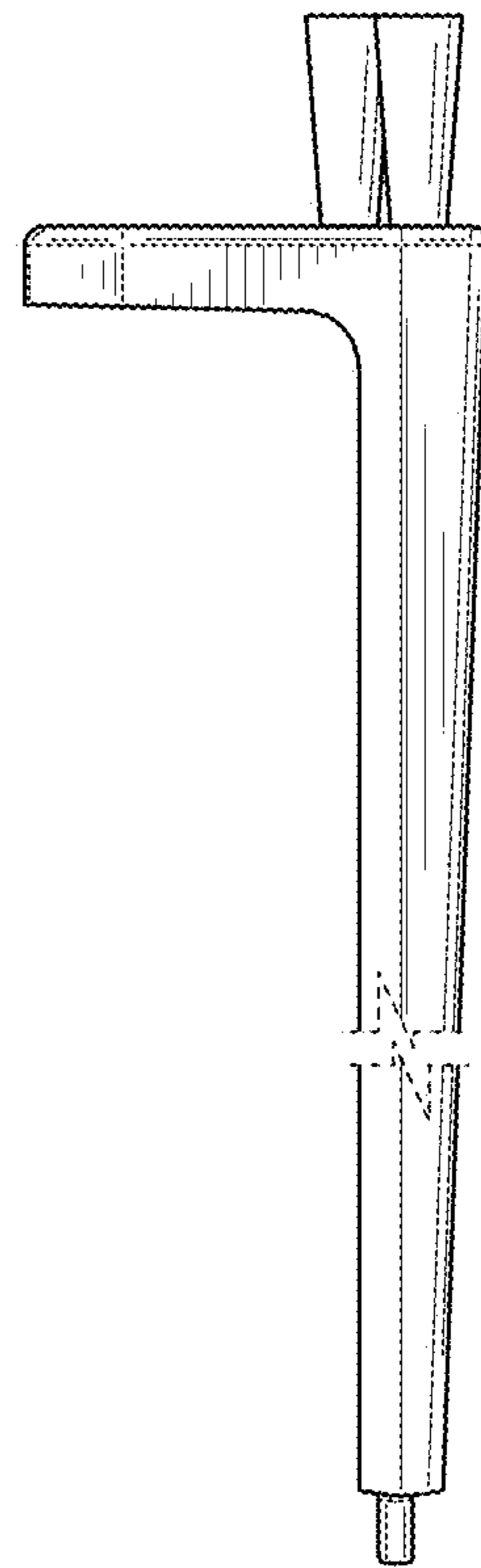
**FIG. 2**



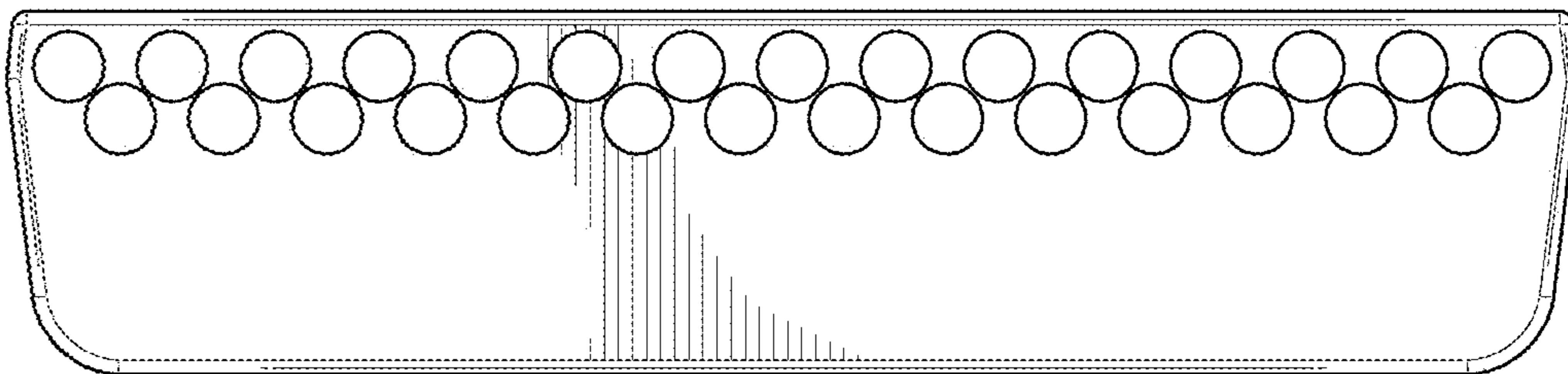
**FIG. 3**



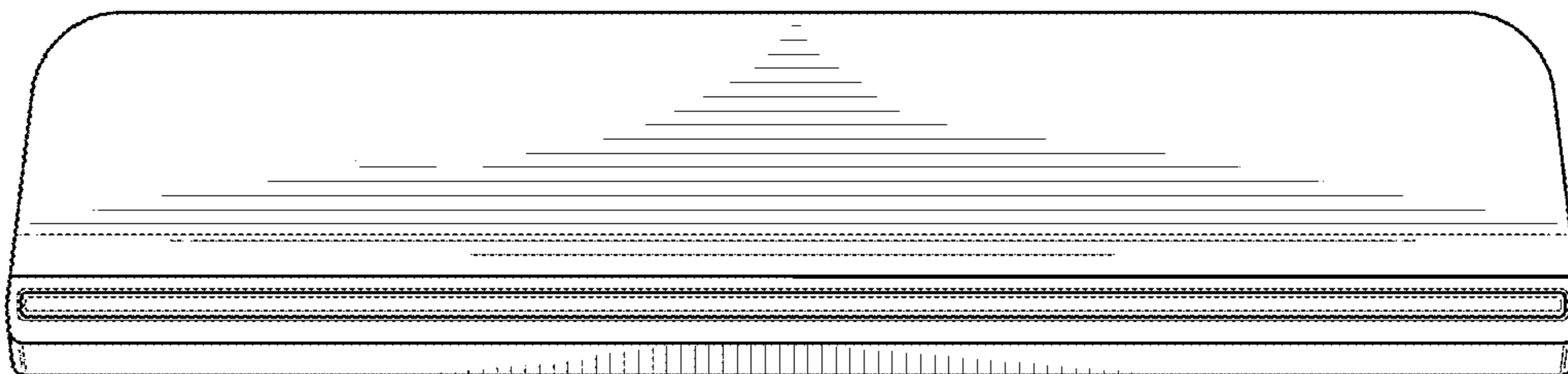
**FIG. 4**



**FIG. 5**



**FIG. 6**



**FIG. 7**