

US00D767279S

(12) **United States Design Patent**
Gummo

(10) **Patent No.:** **US D767,279 S**

(45) **Date of Patent:** **** Sep. 27, 2016**

(54) **UTILITY CADDY**

(71) Applicant: **Diane Gummo**, Millerstown, PA (US)

(72) Inventor: **Diane Gummo**, Millerstown, PA (US)

(**) Term: **14 Years**

(21) Appl. No.: **29/502,670**

(22) Filed: **Sep. 18, 2014**

(51) **LOC (10) Cl.** **03-02**

(52) **U.S. Cl.**

USPC **D3/315**; D7/619.1

(58) **Field of Classification Search**

USPC D3/315, 313; D7/619.1, 523; D14/253;
D19/77, 75

CPC B60N 3/101; B60N 3/103; B60N 3/107;
B60N 3/108

See application file for complete search history.

(56) **References Cited**

U.S. PATENT DOCUMENTS

3,135,392	A	6/1964	Elkins	
5,676,340	A *	10/1997	Ruhnau	B60N 3/103 224/926
D400,763	S *	11/1998	Taylor	D7/619.1
D407,951	S *	4/1999	Philipson	D7/619.1
D451,504	S *	12/2001	Edwards	D14/253
D453,190	S *	1/2002	Trombly	D19/77
6,536,590	B1	3/2003	Godshaw et al.	
D478,741	S *	8/2003	White	D19/77
6,641,550	B1	11/2003	Johnson	
D501,118	S *	1/2005	Schrock	D12/415
7,017,218	B2	3/2006	Nguyen	

D546,823	S *	7/2007	Dayan	D14/253
7,438,194	B2	10/2008	Wang	
D610,353	S *	2/2010	Cooney	D3/313
7,748,584	B2	7/2010	Easom	
D631,699	S *	2/2011	Moreau	D7/509
D636,997	S	5/2011	DeVoe	
D675,882	S *	2/2013	Crockett	D7/601
8,371,447	B2	2/2013	Dewolf et al.	
8,522,917	B1 *	9/2013	Oh	G10K 11/08 181/148
2006/0181116	A1	8/2006	Lok	
2006/0243768	A1	11/2006	Dowell	
2007/0084810	A1 *	4/2007	Morris	A47K 1/09 211/65
2013/0305451	A1	11/2013	Asaf et al.	

* cited by examiner

Primary Examiner — Charles Hanson

(74) *Attorney, Agent, or Firm* — Robert C. Montgomery;
Montgomery Patent & Design LP

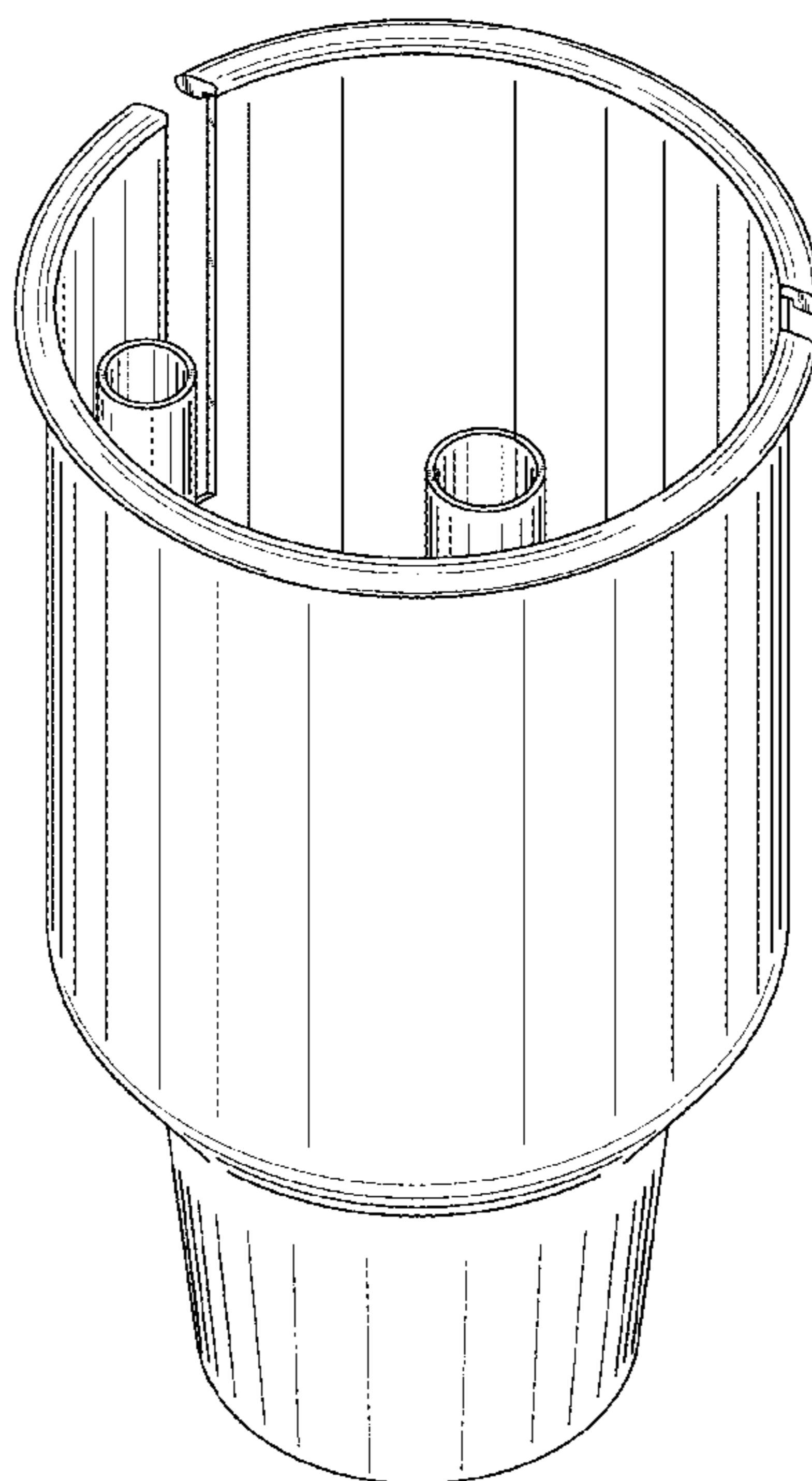
(57) **CLAIM**

The ornamental design for a utility caddy, as shown and described.

DESCRIPTION

FIG. 1 is a front perspective view, showing my new design;
FIG. 2 is a rear perspective view thereof;
FIG. 3 is a front view thereof;
FIG. 4 is a rear view thereof;
FIG. 5 is a left side view thereof;
FIG. 6 is a right side view thereof;
FIG. 7 is a top view thereof; and,
FIG. 8 is a bottom view thereof.

1 Claim, 8 Drawing Sheets



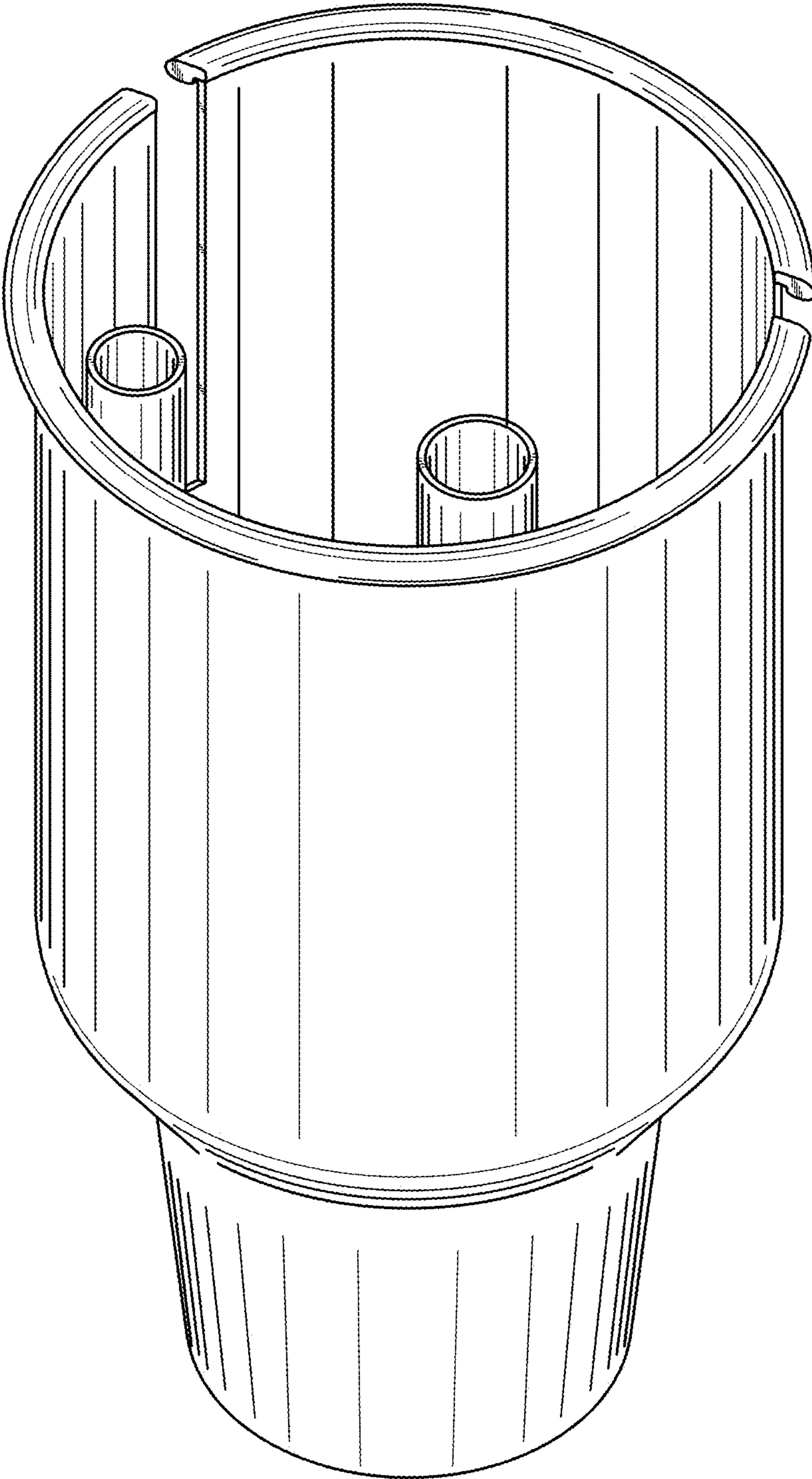


Fig. 1

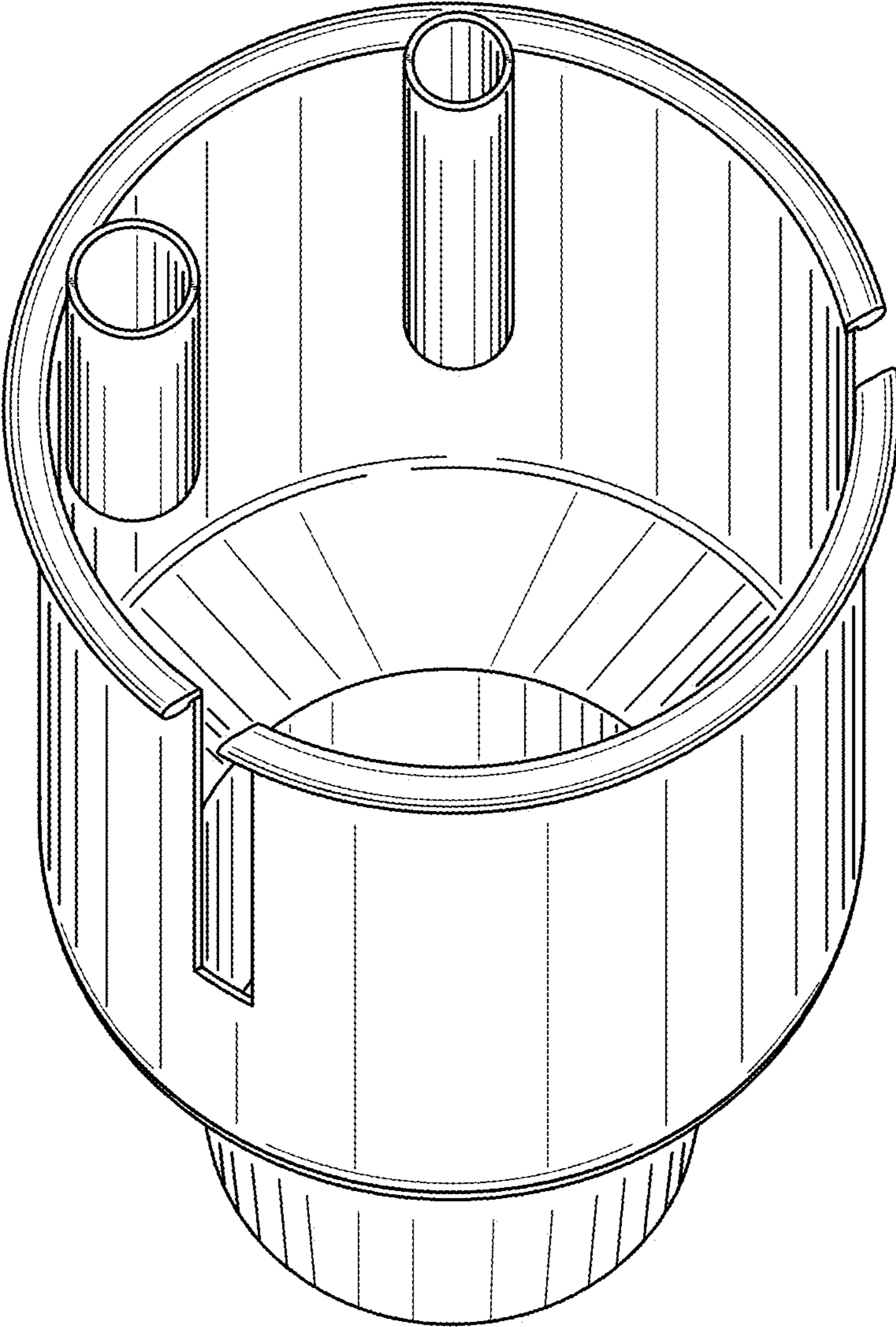


Fig. 2

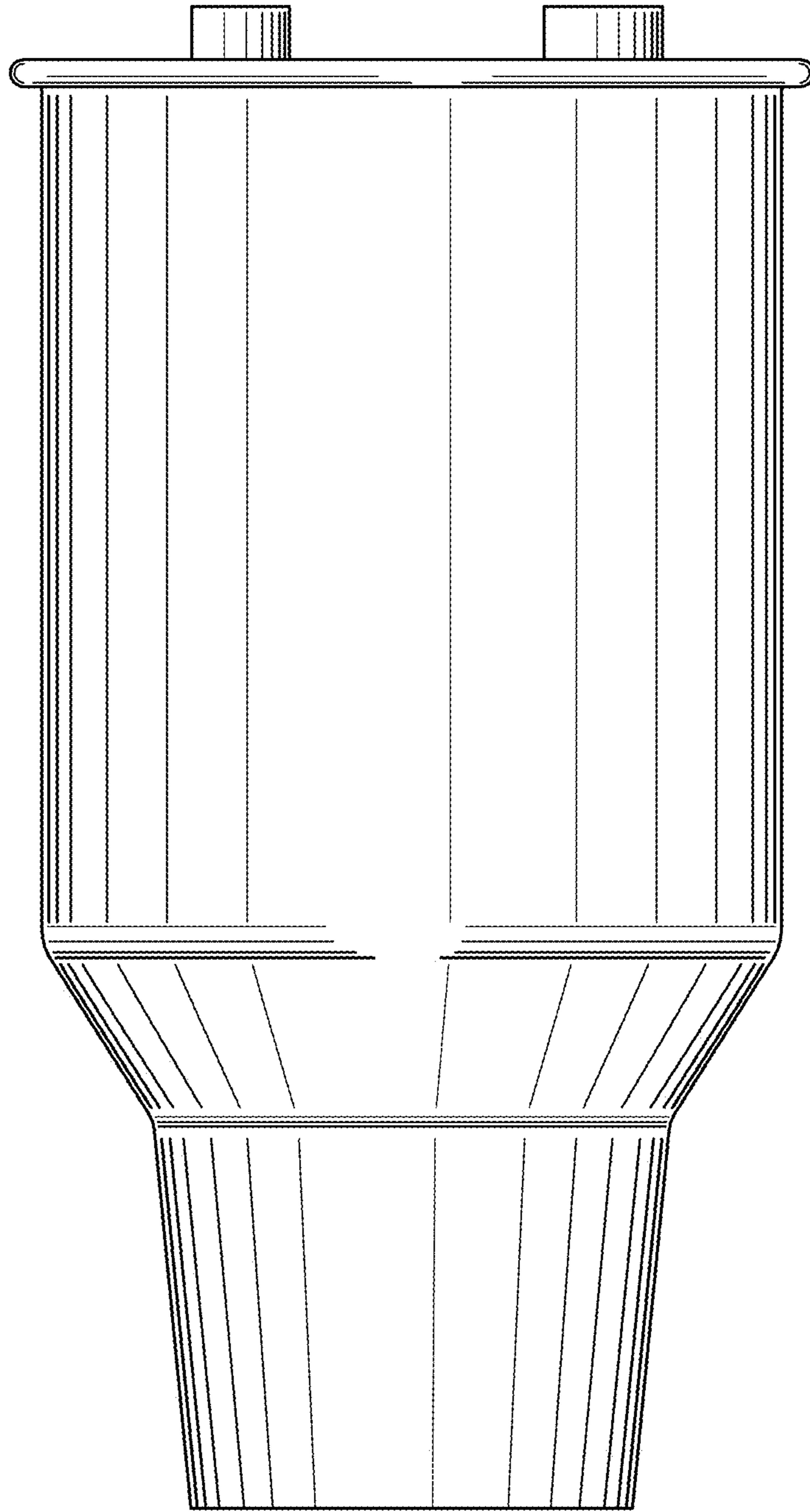


Fig. 3

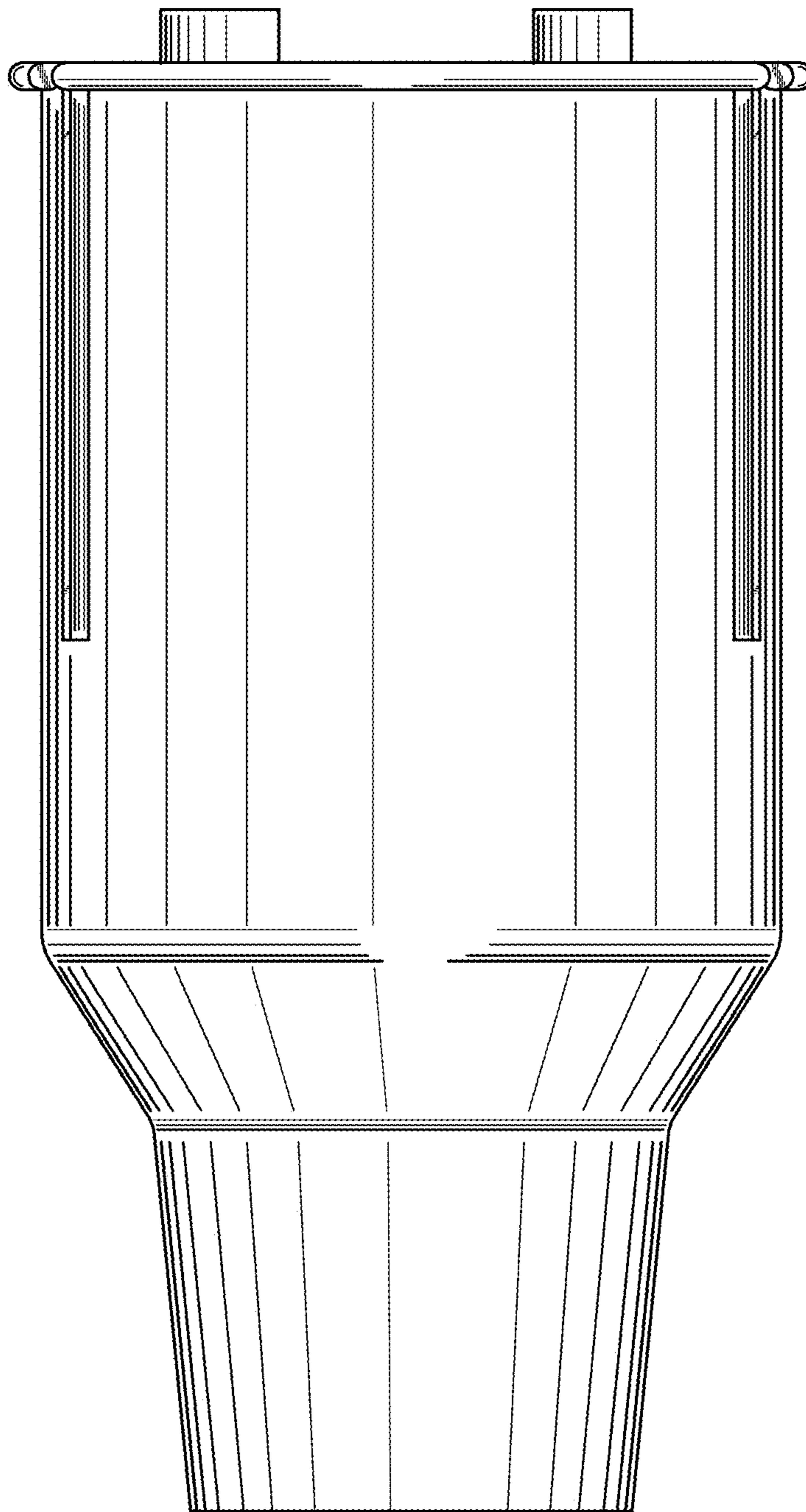


Fig. 4

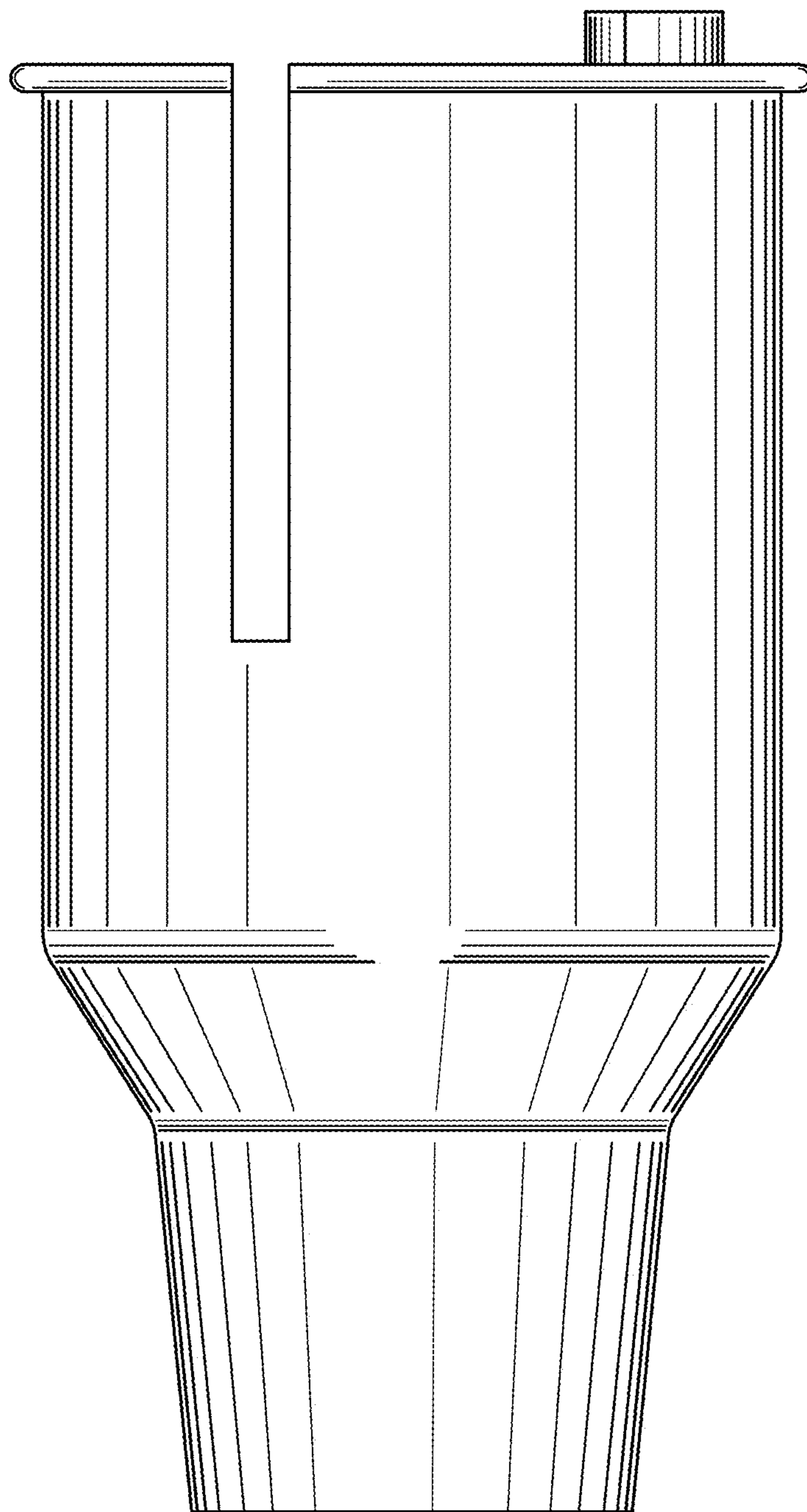


Fig. 5

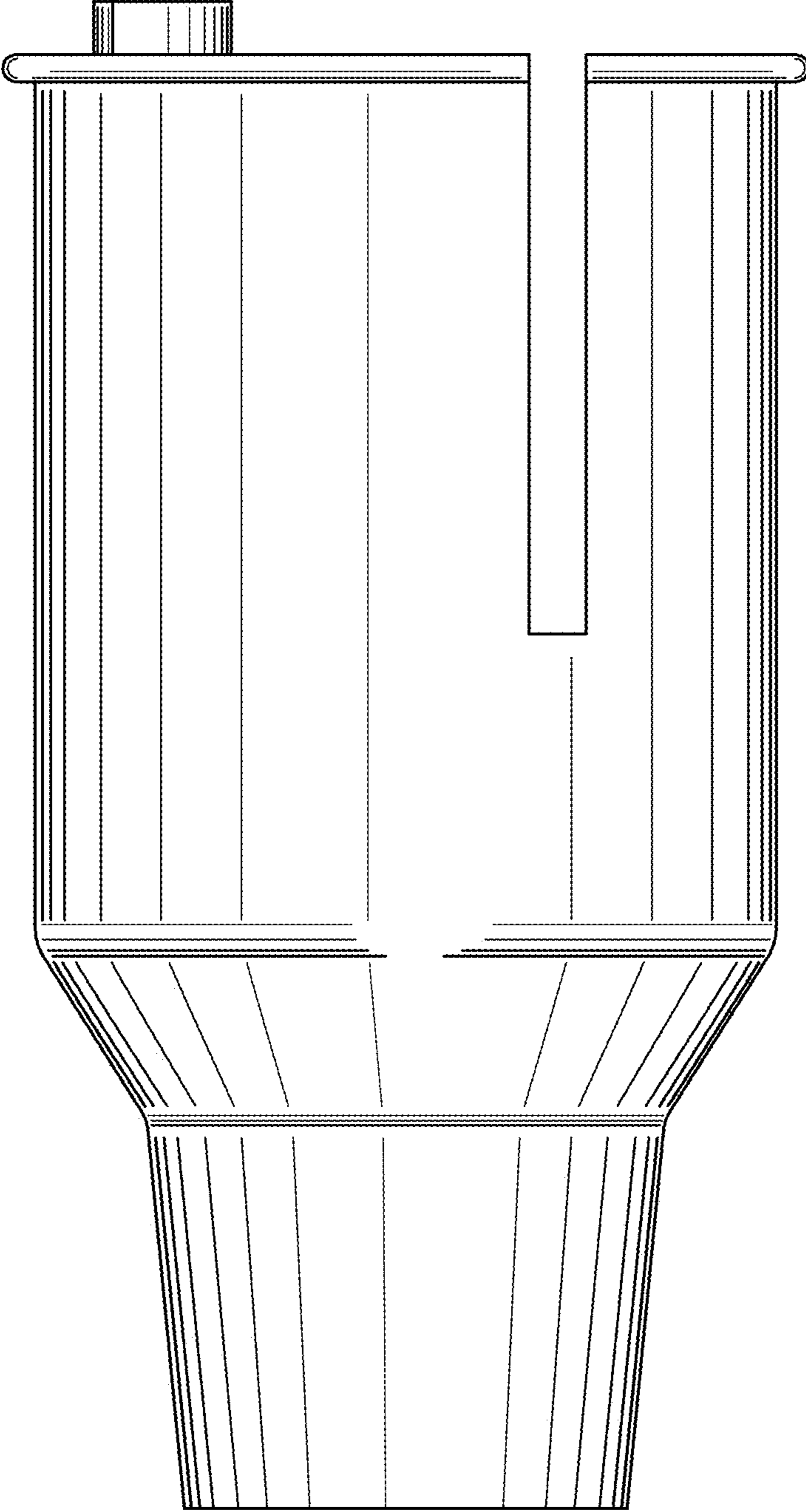


Fig. 6

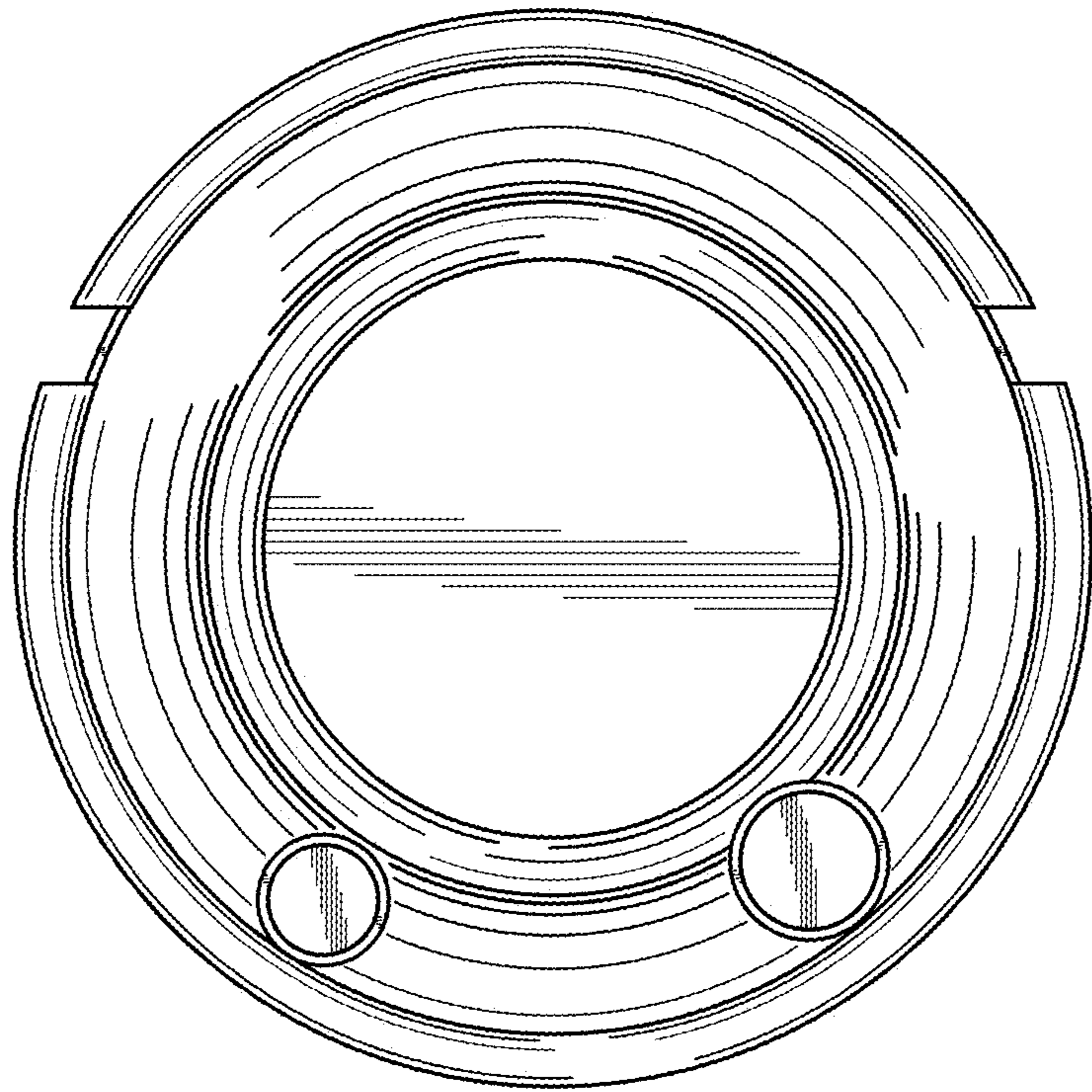


Fig. 7

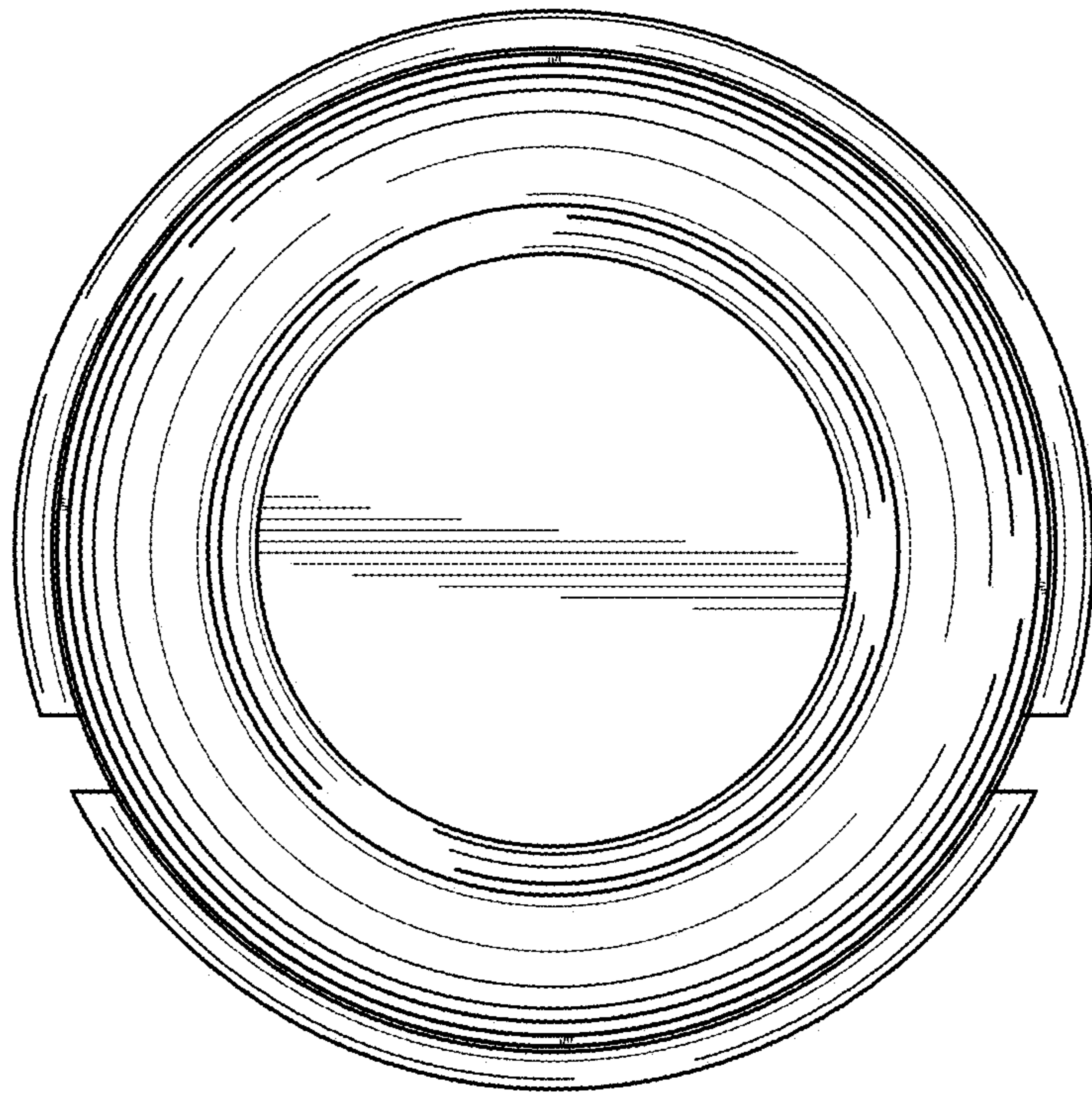


Fig. 8