



US00D767278S

(12) **United States Design Patent** (10) **Patent No.:** **US D767,278 S**
Szucs et al. (45) **Date of Patent:** **** Sep. 27, 2016**

- (54) **COLLAPSIBLE BAG**
- (71) Applicant: **Parallax Group International, LLC**,
San Juan Capistrano, CA (US)
- (72) Inventors: **Peter Szucs**, Burbank, CA (US); **Bruce A. Thrush**, San Juan Capistrano, CA (US)
- (73) Assignee: **Parallax Group International, LLC**,
San Juan Capistrano, CA (US)
- (**) Term: **15 Years**
- (21) Appl. No.: **29/526,897**
- (22) Filed: **May 13, 2015**

- D489,179 S * 5/2004 Ho D3/303
- 7,150,345 B2 12/2006 Redzisz
- D619,855 S * 7/2010 Koehler D7/607
- D622,960 S * 9/2010 Sabounjian D3/305
- D630,013 S 1/2011 Yu
- D648,533 S 11/2011 Sosnovsky
- D670,500 S 11/2012 Sosnovsky
- D676,657 S * 2/2013 Knecht D3/303
- D703,438 S 4/2014 Lee
- D717,040 S 11/2014 Swartzel et al.

(Continued)

Primary Examiner — Kelley Donnelly

(74) *Attorney, Agent, or Firm* — Fish & Tsang LLP

(57) **CLAIM**

We claim the ornamental design for a collapsible bag, as shown and described.

Related U.S. Application Data

- (63) Continuation-in-part of application No. 29/521,682, filed on Mar. 25, 2015, now Pat. No. Des. 752,345.
- (51) **LOC (10) Cl.** **03-01**
- (52) **U.S. Cl.**
USPC **D3/305**
- (58) **Field of Classification Search**
USPC D3/20, 26, 304, 305, 307–311, 315,
D3/318–319, 321–322
CPC A45C 1/024; A45C 3/06
See application file for complete search history.

DESCRIPTION

FIG. 1 is a top, front, left side perspective view of a collapsible bag. The broken lines depicting an outline of a hook represent environmental matter and form no part of the claimed design.

FIG. 2 is a front elevation view of a collapsible bag, the rear elevation view being a mirror image. FIG. 2 is a multi-sheet FIG., and each A-B portion forms a single complete figure. FIG. 3 is a rear elevation view of a collapsible bag. FIG. 3 is a multi-sheet figure, and each A-B portion forms a single complete figure.

FIG. 4 is a left side elevation view of a collapsible bag, the right side elevation view being a mirror image.

FIG. 5 is a top plan view of a collapsible bag.

FIG. 6 is a bottom plan view of a collapsible bag; and,

FIG. 7 is a top, front, right side view of a collapsible bag in an alternate configuration.

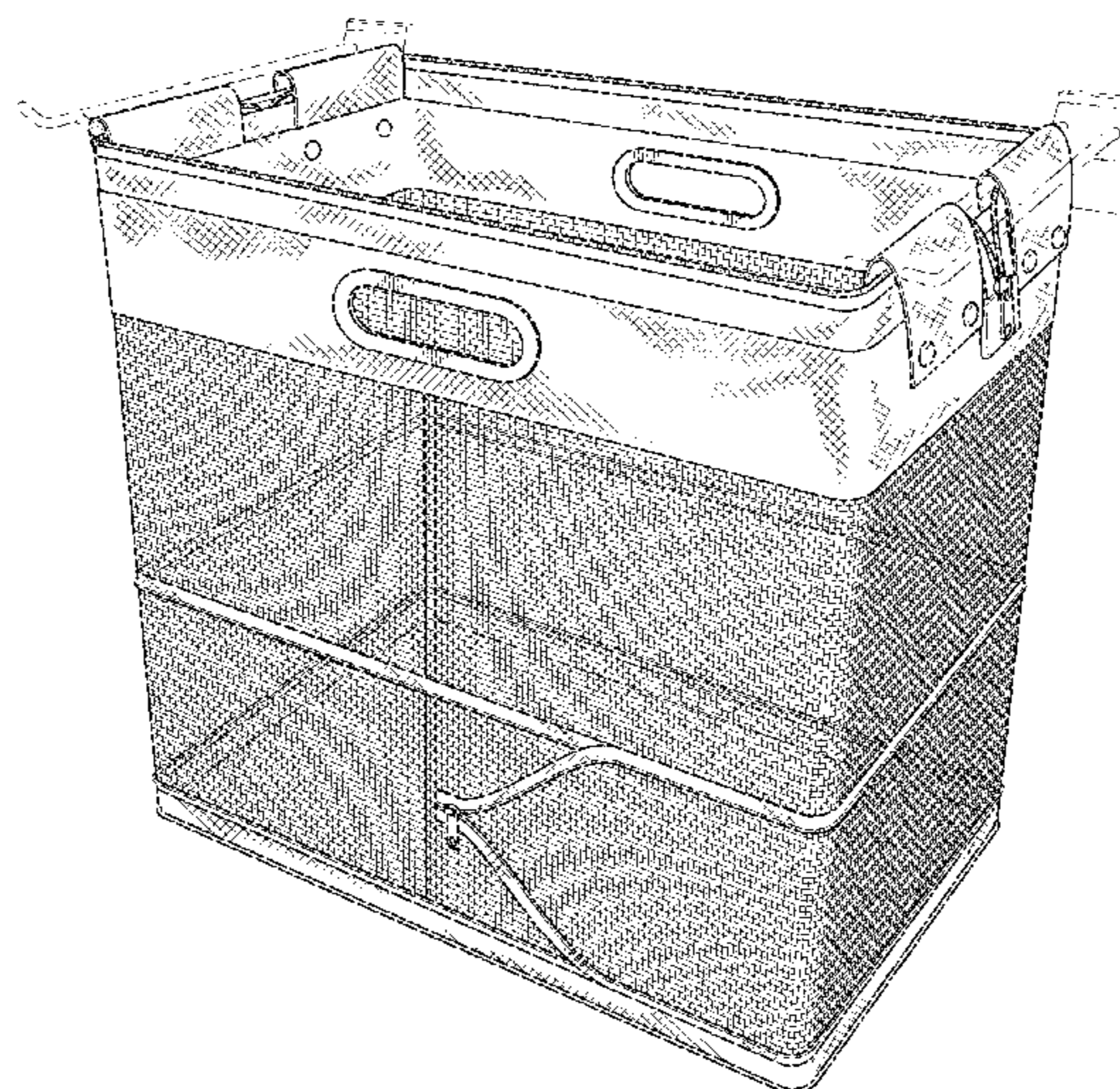
The dominant features of my design reside in handles, a bottom portion, and a hinge to be used in combination with a collapsible bag.

(56) **References Cited**

U.S. PATENT DOCUMENTS

- D334,839 S 4/1993 Dancyger
- 5,873,504 A 2/1999 Farmer
- D408,146 S * 4/1999 Briganti D3/319
- D422,411 S * 4/2000 Martin D3/201
- D431,361 S * 10/2000 Kellogg D3/304
- 6,126,003 A 10/2000 Brouard
- D447,632 S 9/2001 Gisser
- D449,447 S * 10/2001 Kellogg D3/306

1 Claim, 9 Drawing Sheets



(56)

References Cited

U.S. PATENT DOCUMENTS

D732,294 S *	6/2015	Hu	D3/319	2003/0164216 A1*	9/2003	Starr	A45C 13/02
D739,654 S	9/2015	Brouard							150/105
D752,297 S *	3/2016	Tominaga	D30/108	2005/0263226 A1*	12/2005	Smithers	A45C 1/02
D752,345 S *	3/2016	Szucs	D3/305					150/113
					2013/0201666 A1*	8/2013	Melamed	A45C 3/08
									362/156

* cited by examiner

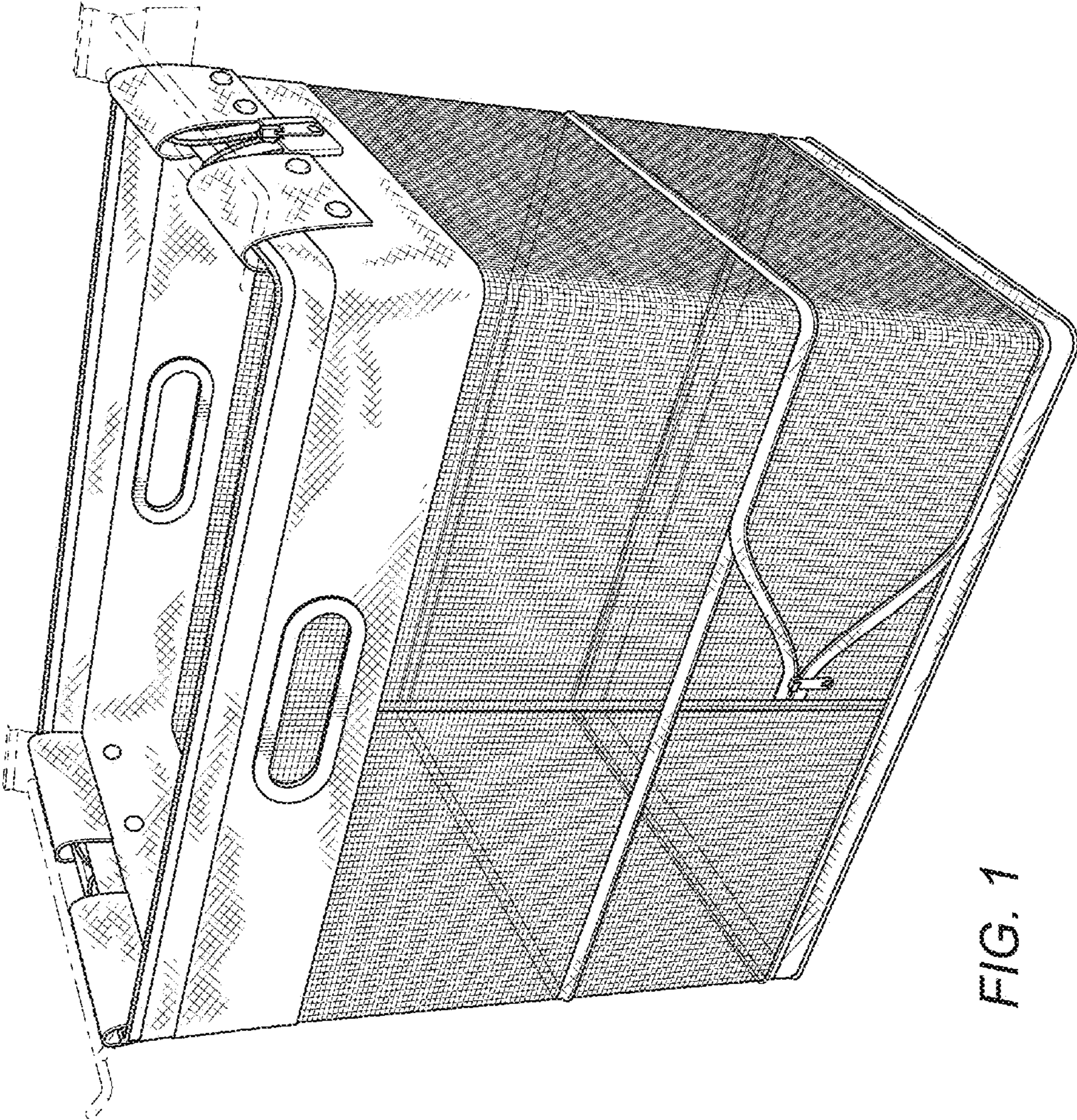
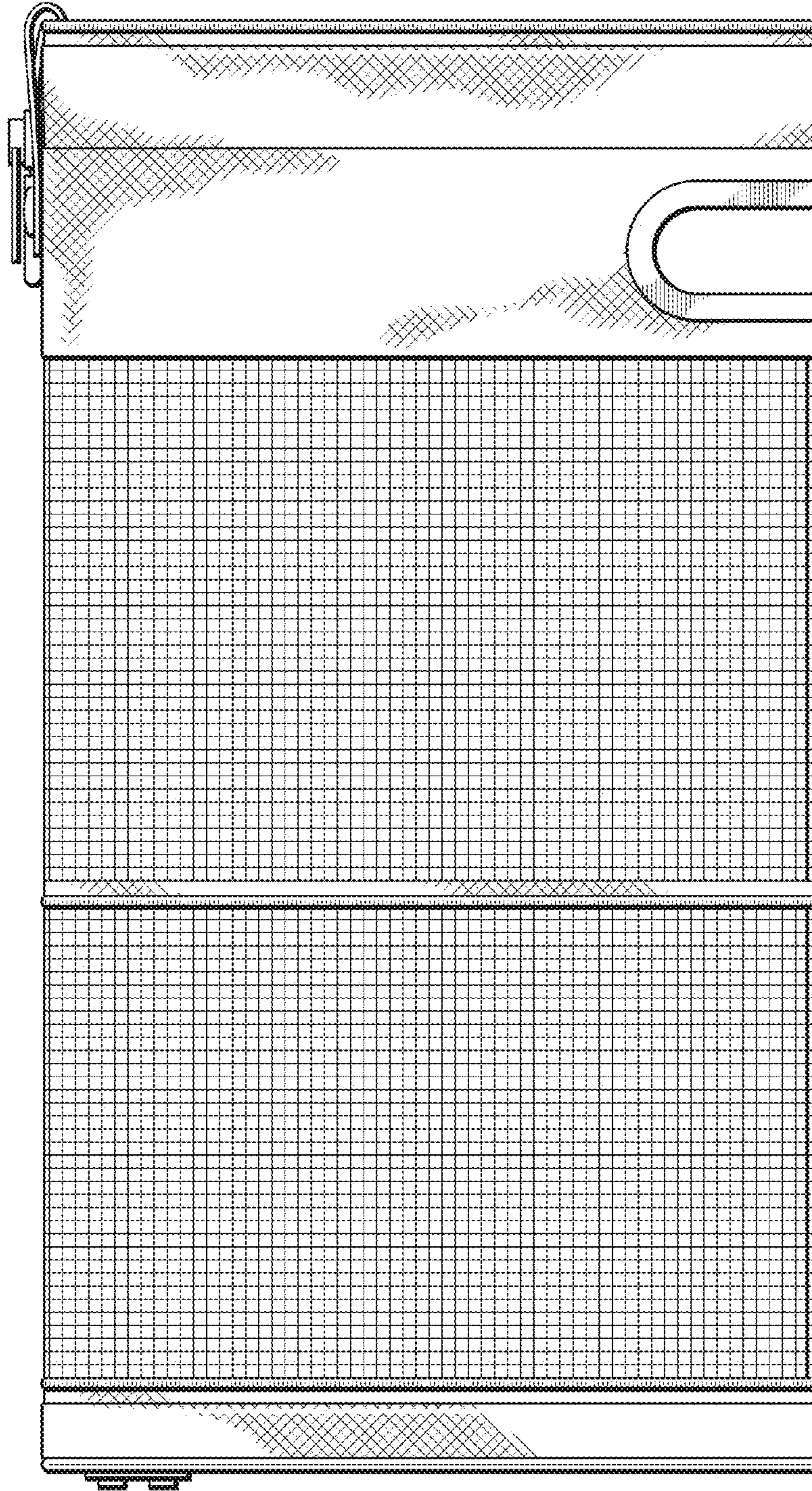


FIG. 1

FIG. 2A



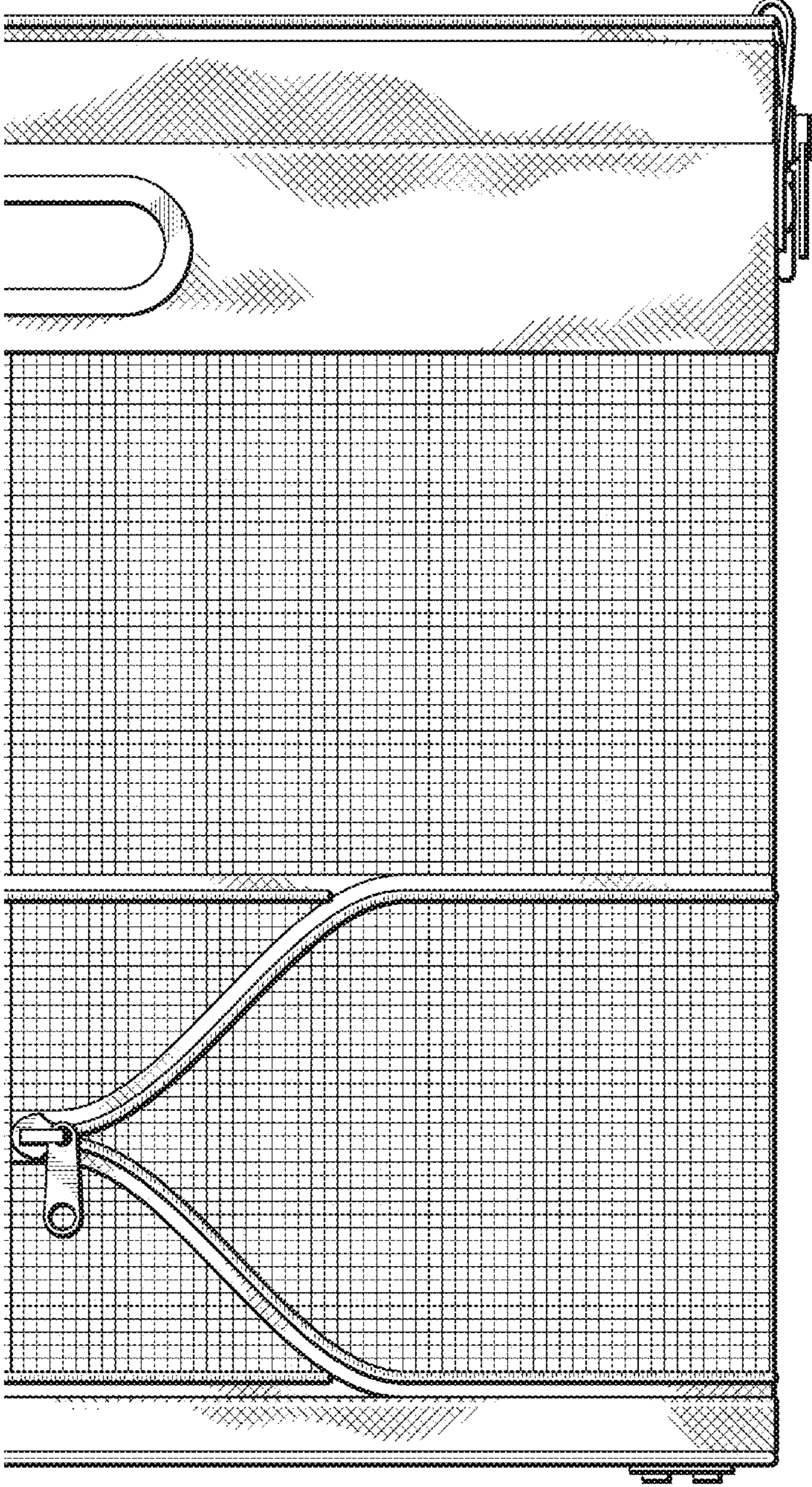
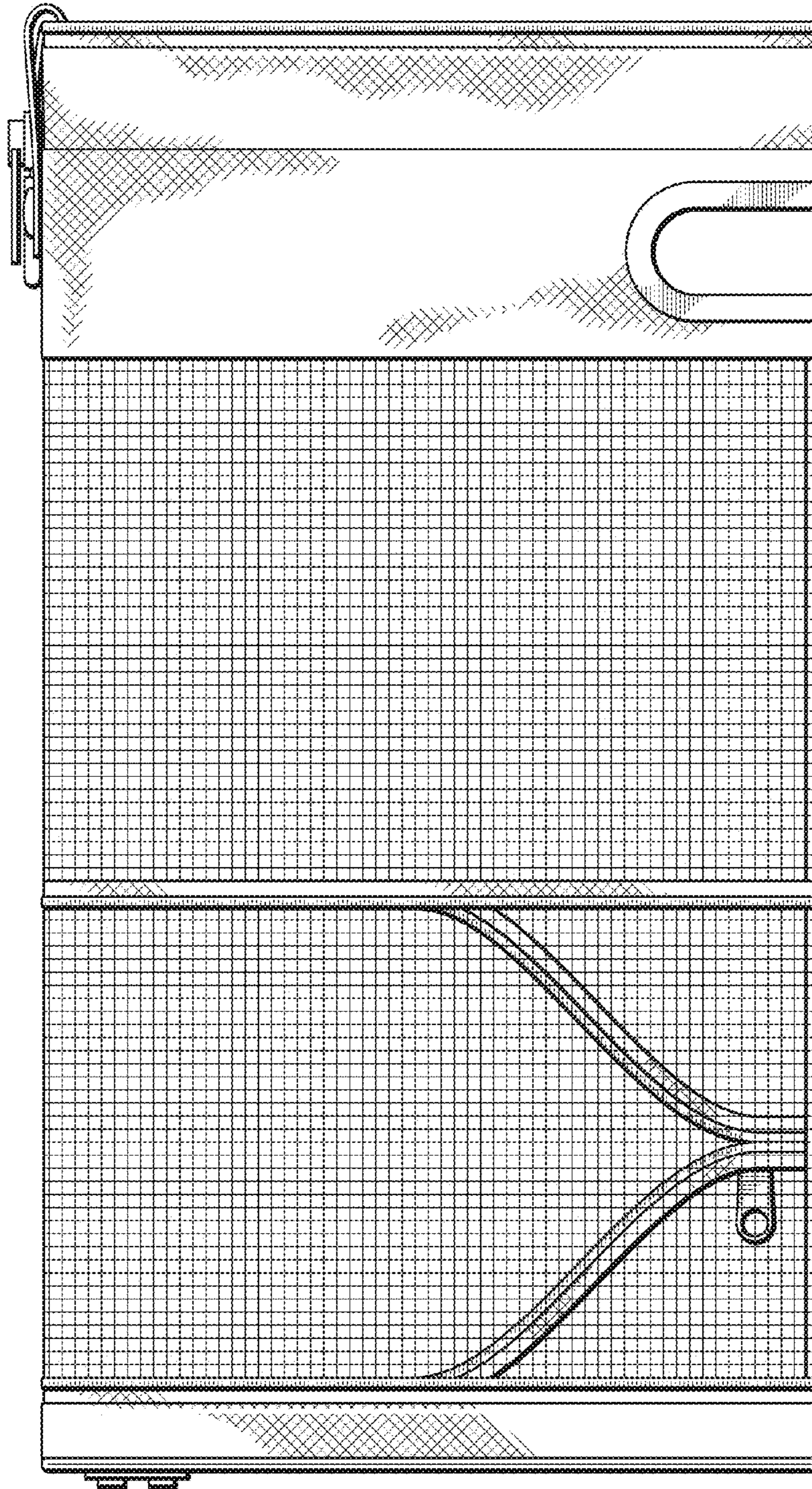


FIG. 2B

FIG. 3A



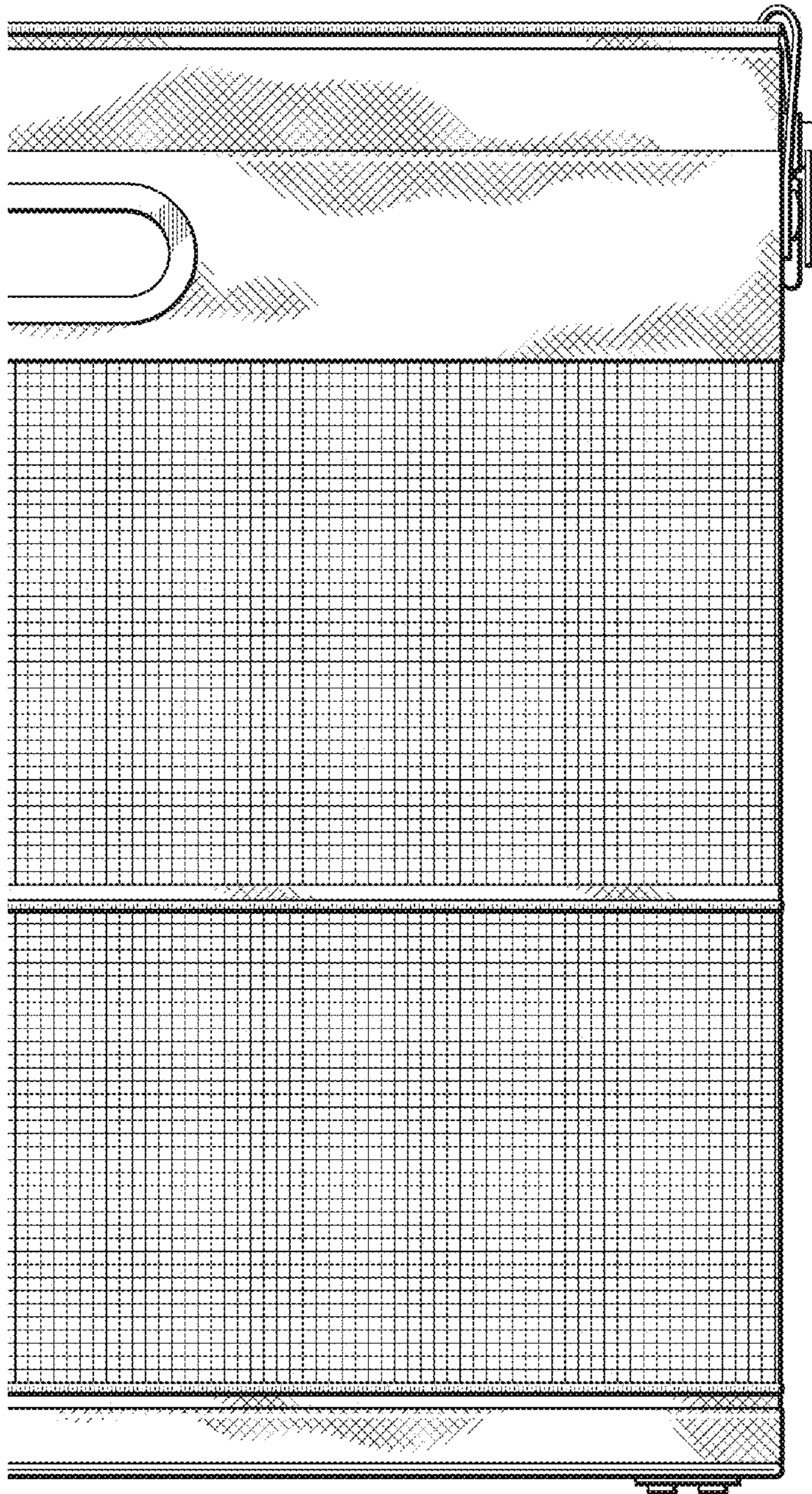


FIG. 3B

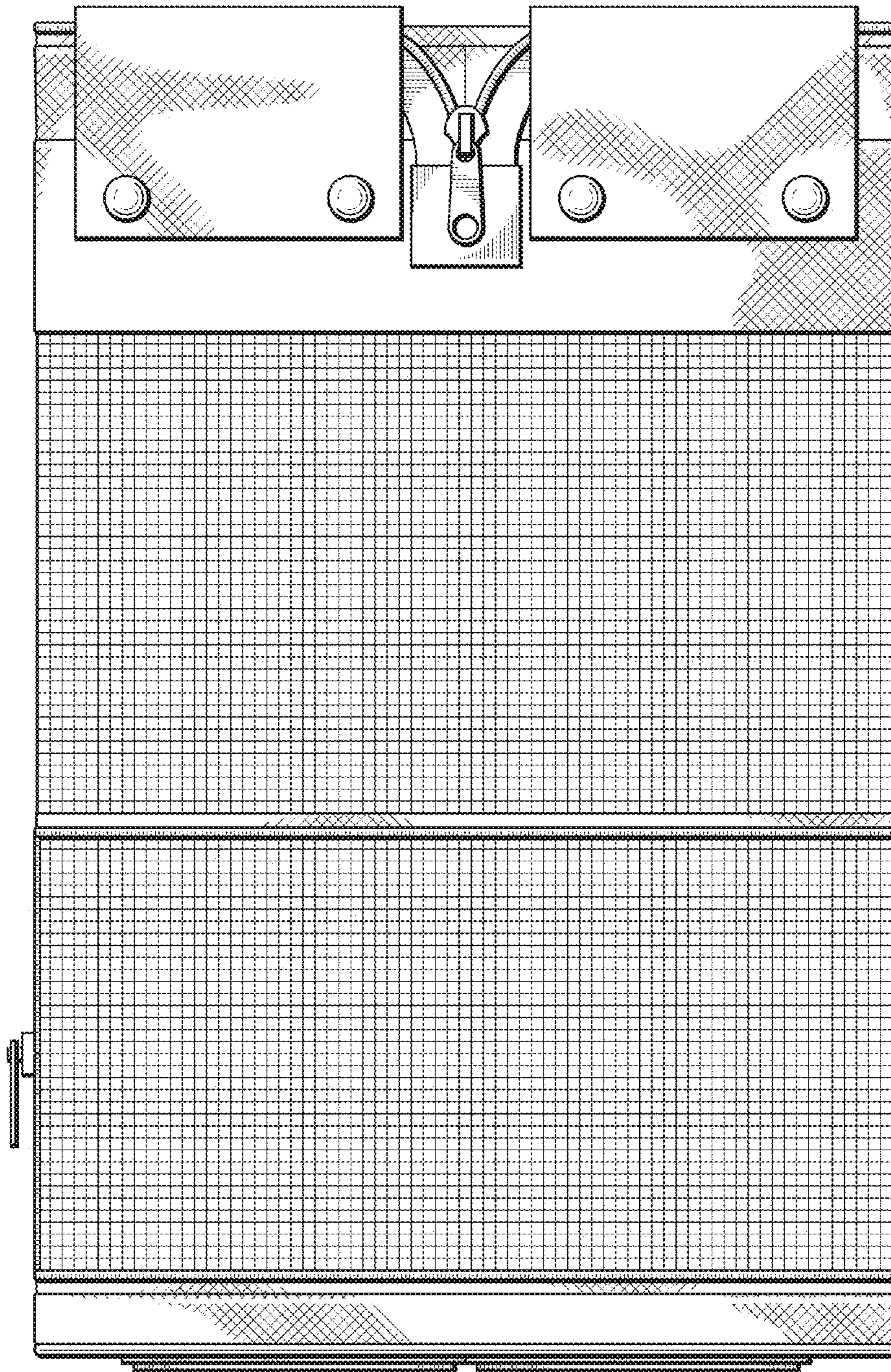


FIG. 4

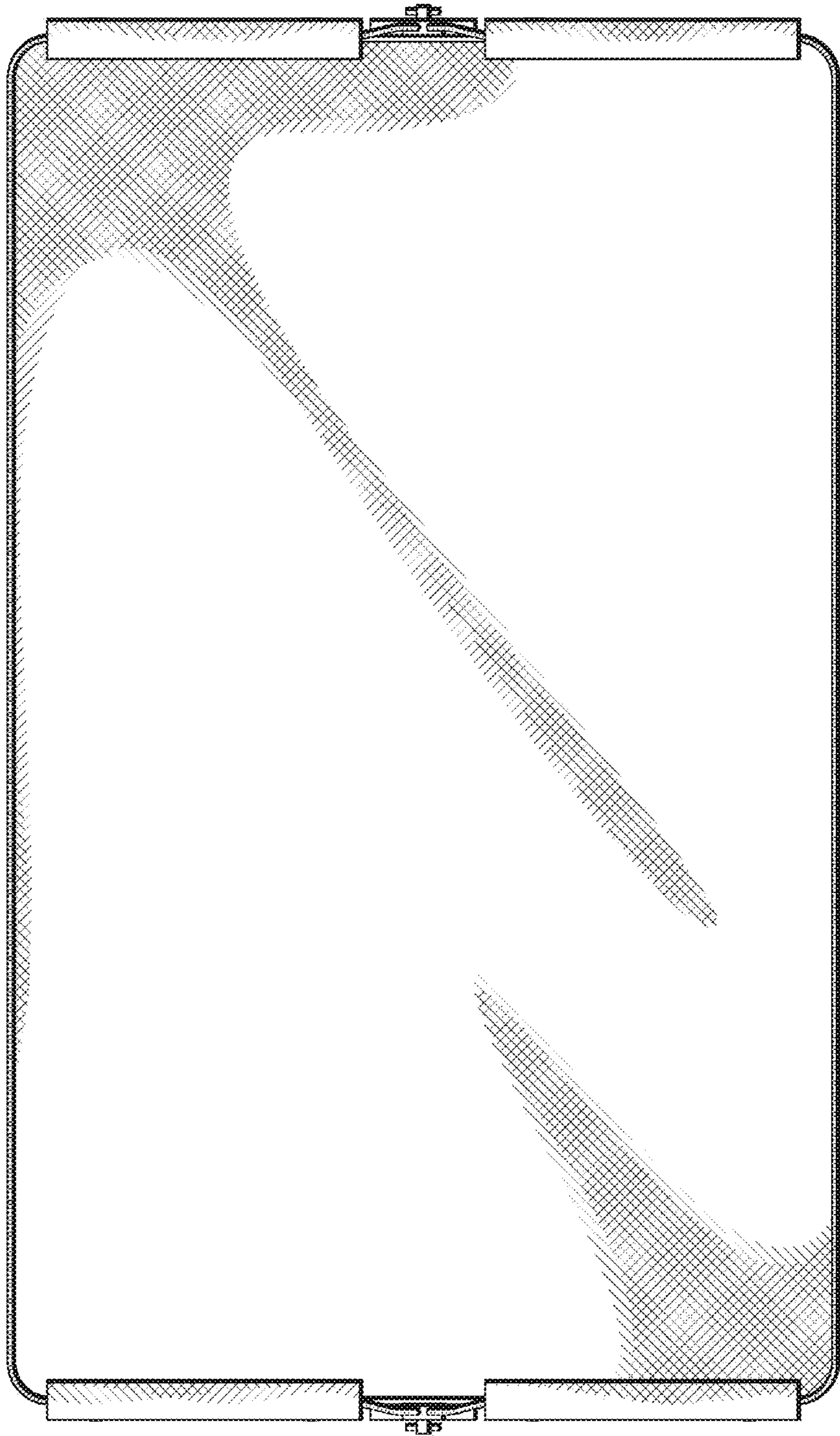


FIG. 5

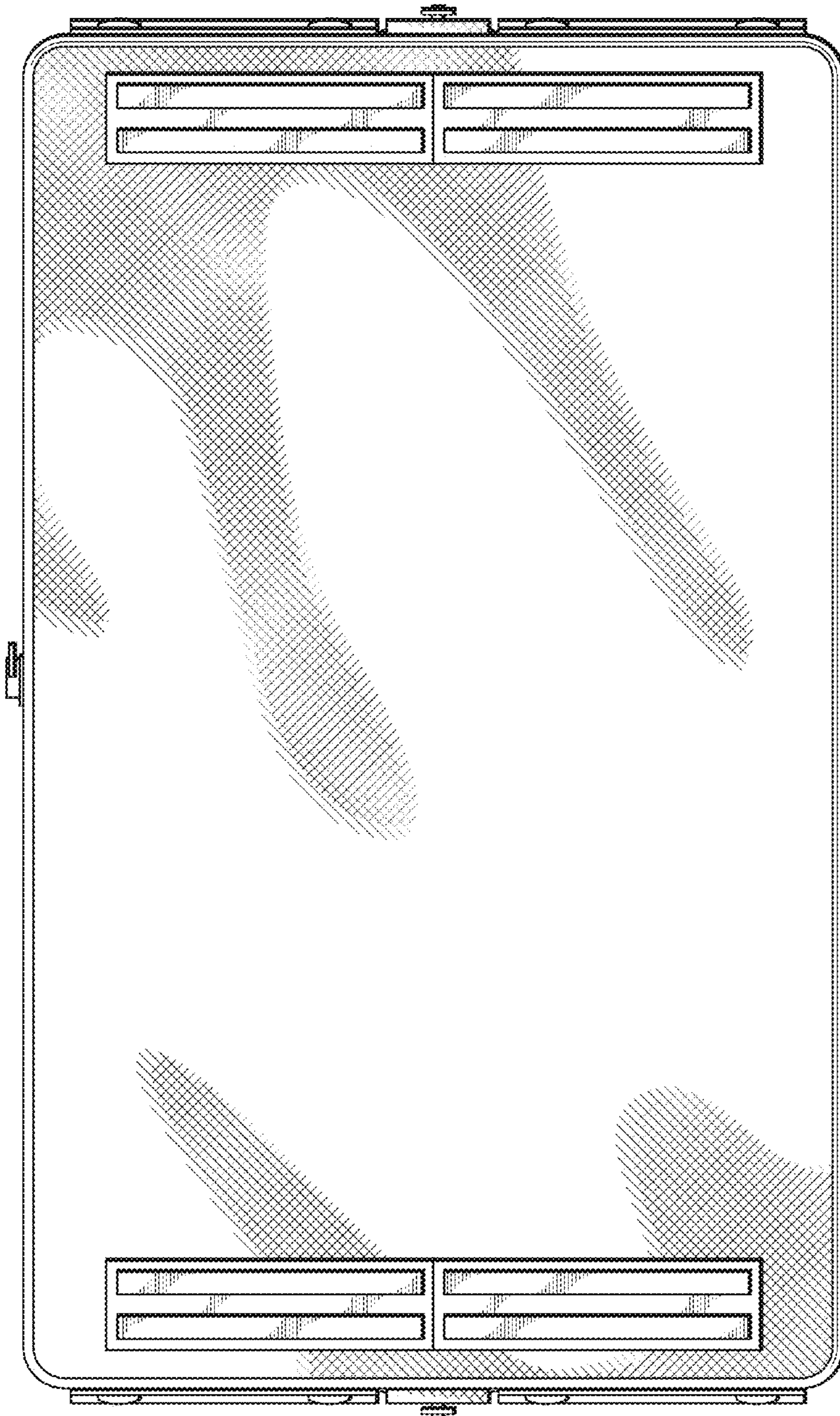


FIG. 6

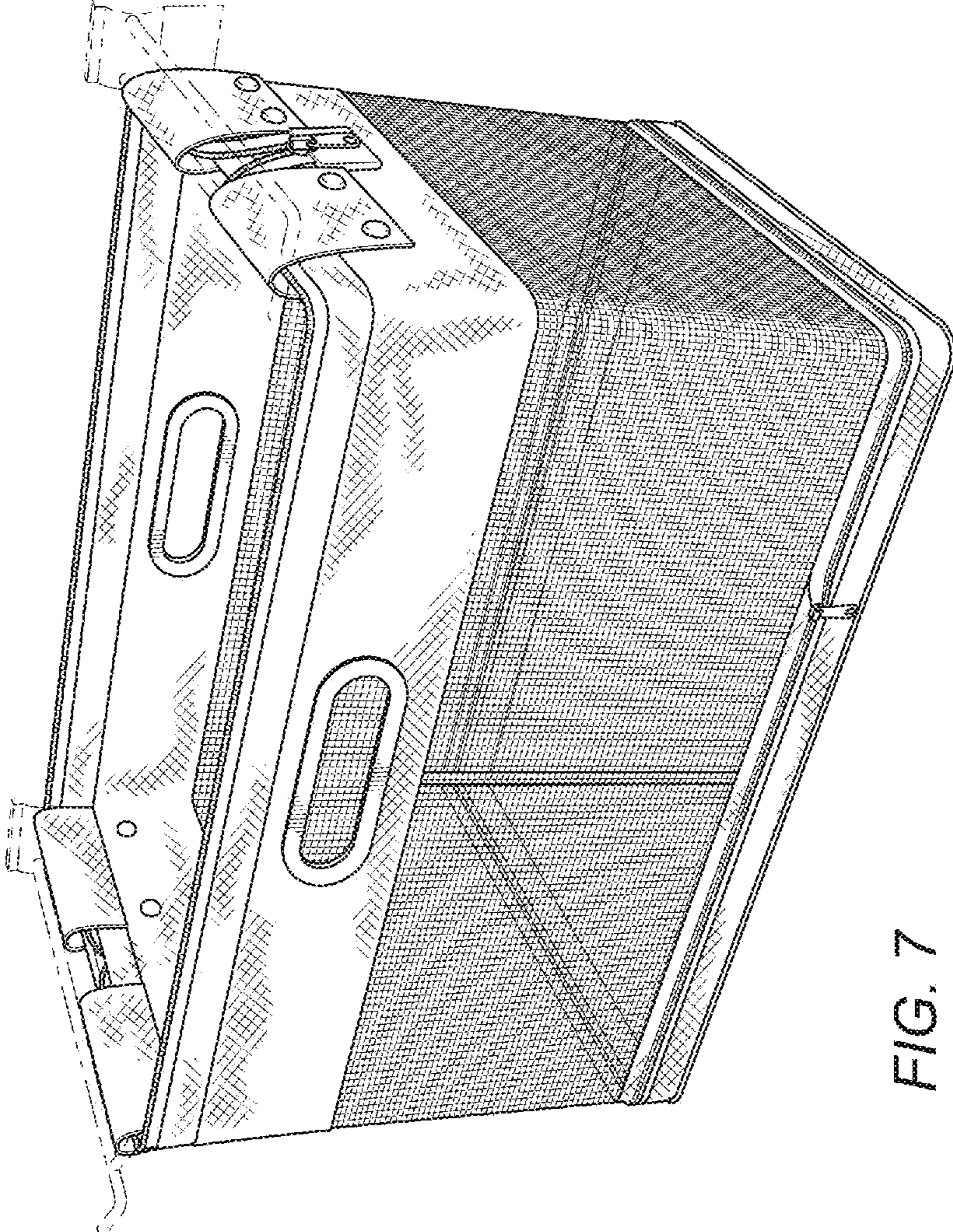


FIG. 7