



US00D767277S

(12) **United States Design Patent**  
**Faibish**

(10) **Patent No.:** **US D767,277 S**

(45) **Date of Patent:** **\*\* Sep. 27, 2016**

(54) **TOOL BOX**

(71) Applicant: **The Stanley Works Israel Ltd.**, Rosh Ha'Ayin (IL)

(72) Inventor: **Abraham Faibish**, Jerusalem (IL)

(73) Assignee: **The Stanley Works Israel Ltd.**, Rosh Ha'Ayin (IL)

(\*\*) Term: **14 Years**

(21) Appl. No.: **29/516,069**

(22) Filed: **Jan. 29, 2015**

(30) **Foreign Application Priority Data**

Aug. 1, 2014 (EP) ..... 001417968

(51) **LOC (10) Cl.** ..... **03-01**

(52) **U.S. Cl.**  
USPC ..... **D3/279; D3/282; D3/294; D3/905**

(58) **Field of Classification Search**  
USPC ..... D3/272, 273, 276, 279, 281, 282, 283,  
D3/284, 294, 295, 296, 302, 905  
CPC ..... B25H 3/02-3/028; B25H 3/00; B25H  
3/003; B25H 3/006  
See application file for complete search history.

(56) **References Cited**

**U.S. PATENT DOCUMENTS**

D441,954 S \* 5/2001 Parker ..... D3/273  
D449,163 S \* 10/2001 Dahlen ..... D3/279  
D467,426 S \* 12/2002 Hardigg ..... D3/276  
D609,911 S \* 2/2010 Twig ..... D3/279  
D629,607 S \* 12/2010 Sabbag ..... D3/282  
D640,056 S \* 6/2011 Twig ..... D3/281  
D649,783 S \* 12/2011 Brunner ..... D3/279

D663,952 S \* 7/2012 Crevling, Jr. .... D3/274  
D709,287 S \* 7/2014 Shitrit ..... D3/279  
2010/0000893 A1\* 1/2010 Twig ..... B25H 3/023  
206/373  
2012/0292213 A1\* 11/2012 Brunner ..... B25H 3/028  
206/349  
2014/0197059 A1\* 7/2014 Evans ..... B25H 3/02  
206/349  
2014/0265197 A1\* 9/2014 Russell ..... B25H 3/02  
280/79.3

**OTHER PUBLICATIONS**

homedepot.com, "Dewalt 38 in. Mobile Tough Chest". Accessed Jan. 12, 2016. Reviewed as early as Dec. 1, 2014. (<http://www.homedepot.com/p/DEWALT-38-in-Mobile-Tough-Chest-DWST38000/205502769>).\*

\* cited by examiner

*Primary Examiner* — Jennifer Rivard

*Assistant Examiner* — April Rivas

(74) *Attorney, Agent, or Firm* — Gabriel A. Haboubi

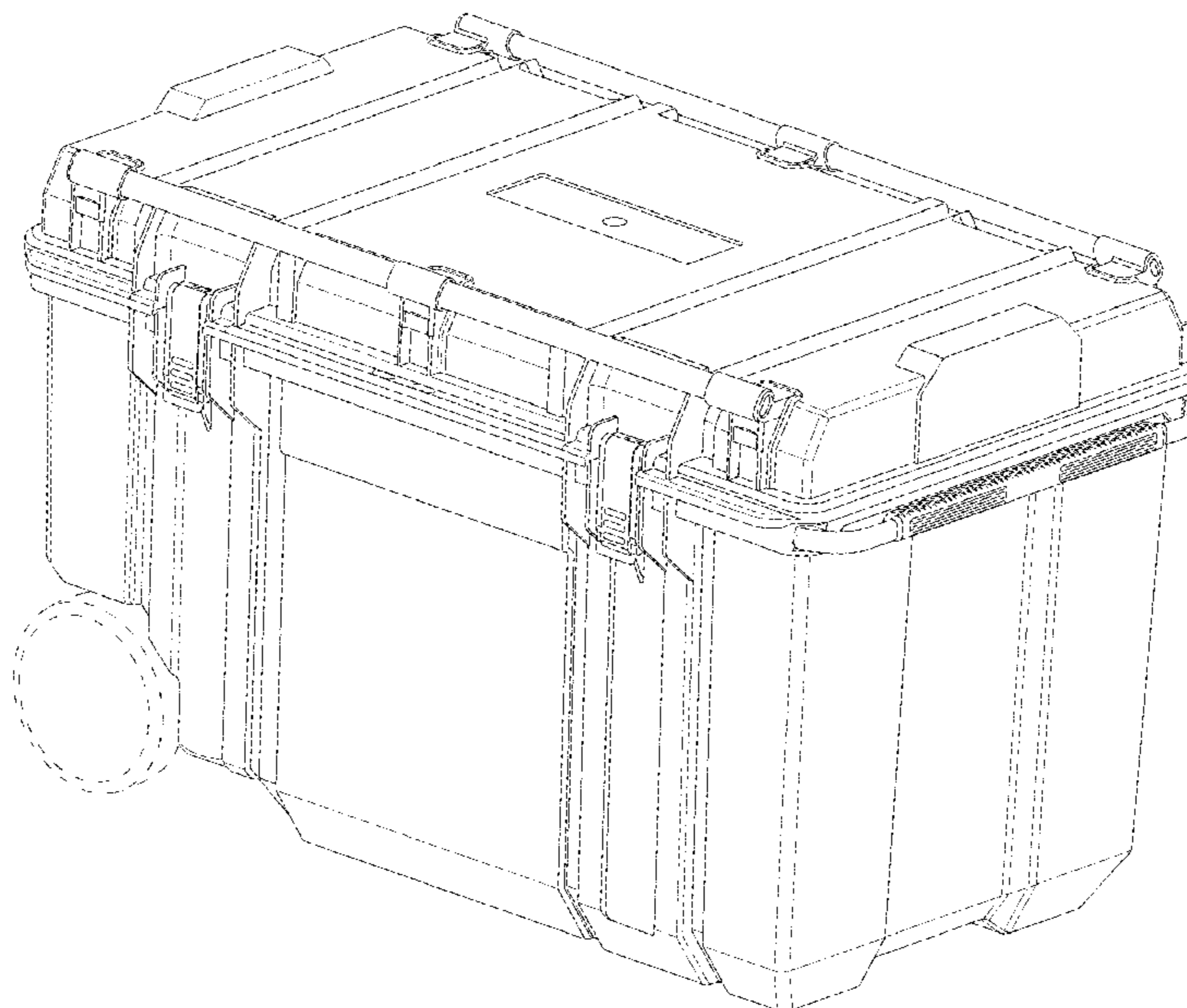
(57) **CLAIM**

The ornamental design for a tool box, as shown and described.

**DESCRIPTION**

FIG. 1 is a perspective view of my new design;  
FIG. 2 is a front view thereof;  
FIG. 3 is a rear view thereof;  
FIG. 4 is a left side view thereof;  
FIG. 5 is a right side view thereof;  
FIG. 6 is a top view thereof; and,  
FIG. 7 is a bottom view thereof.  
The broken lines illustrate portions of the tool box and form no part of the claimed design.

**1 Claim, 6 Drawing Sheets**



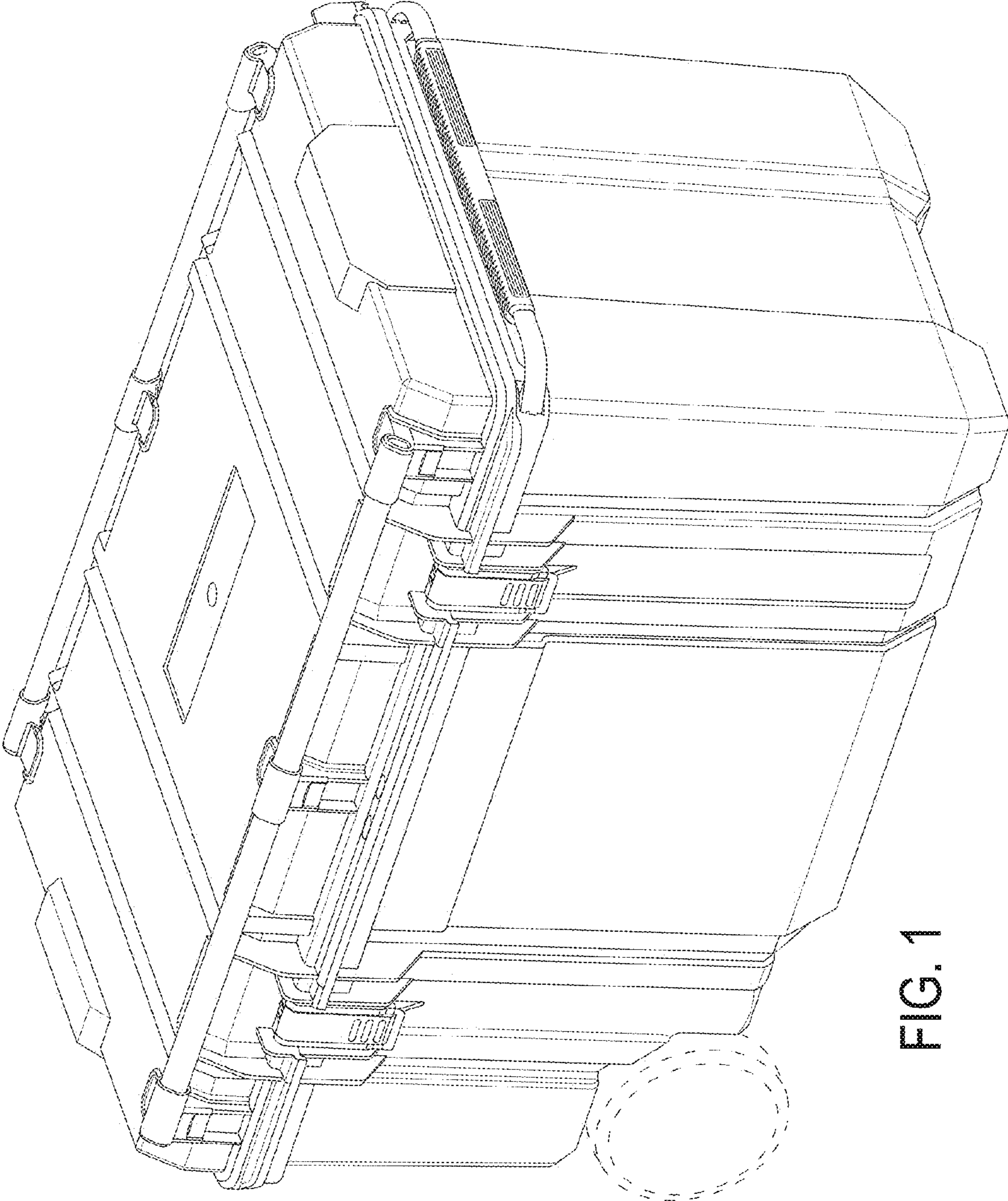


FIG. 1

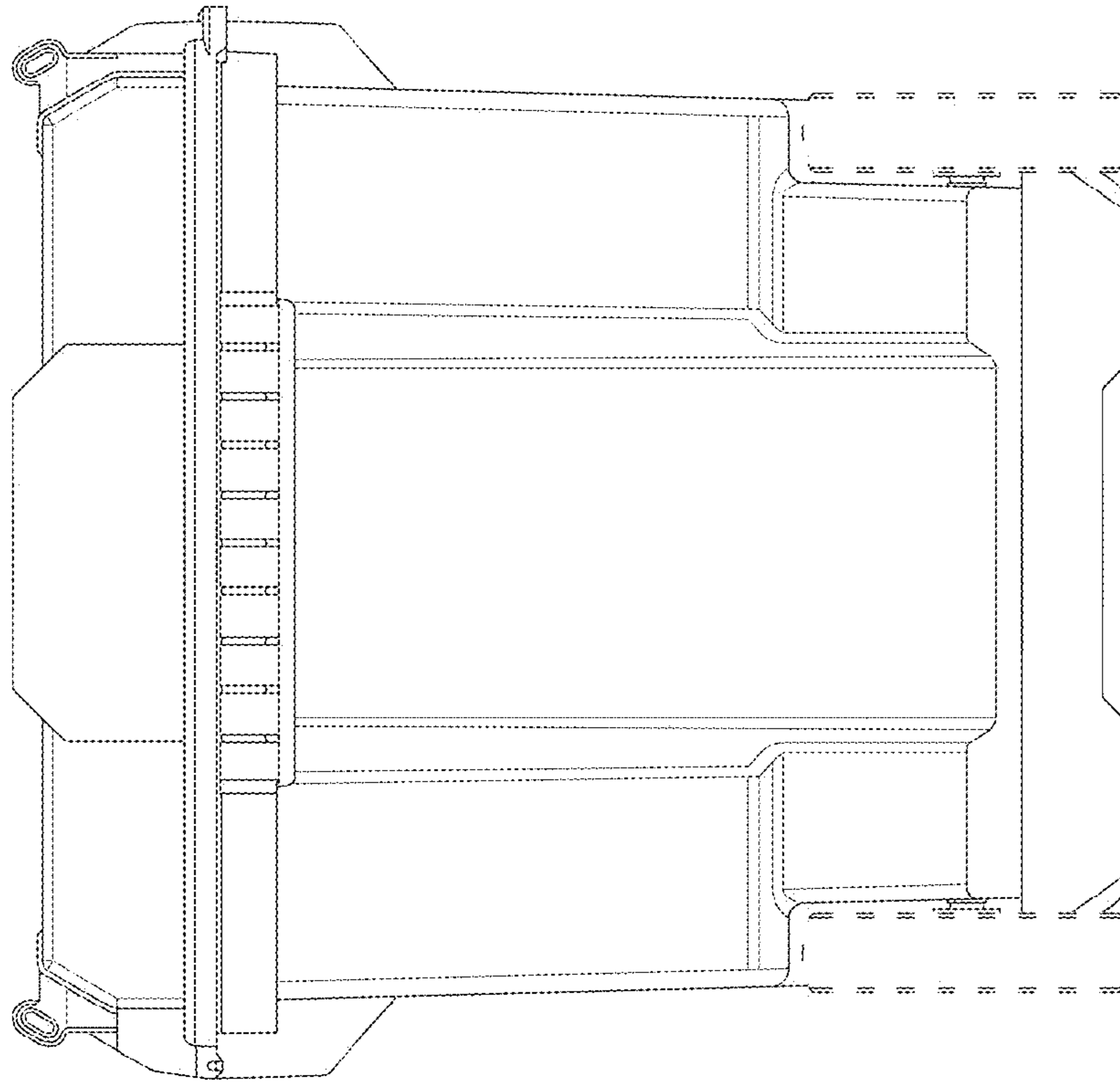


FIG. 3

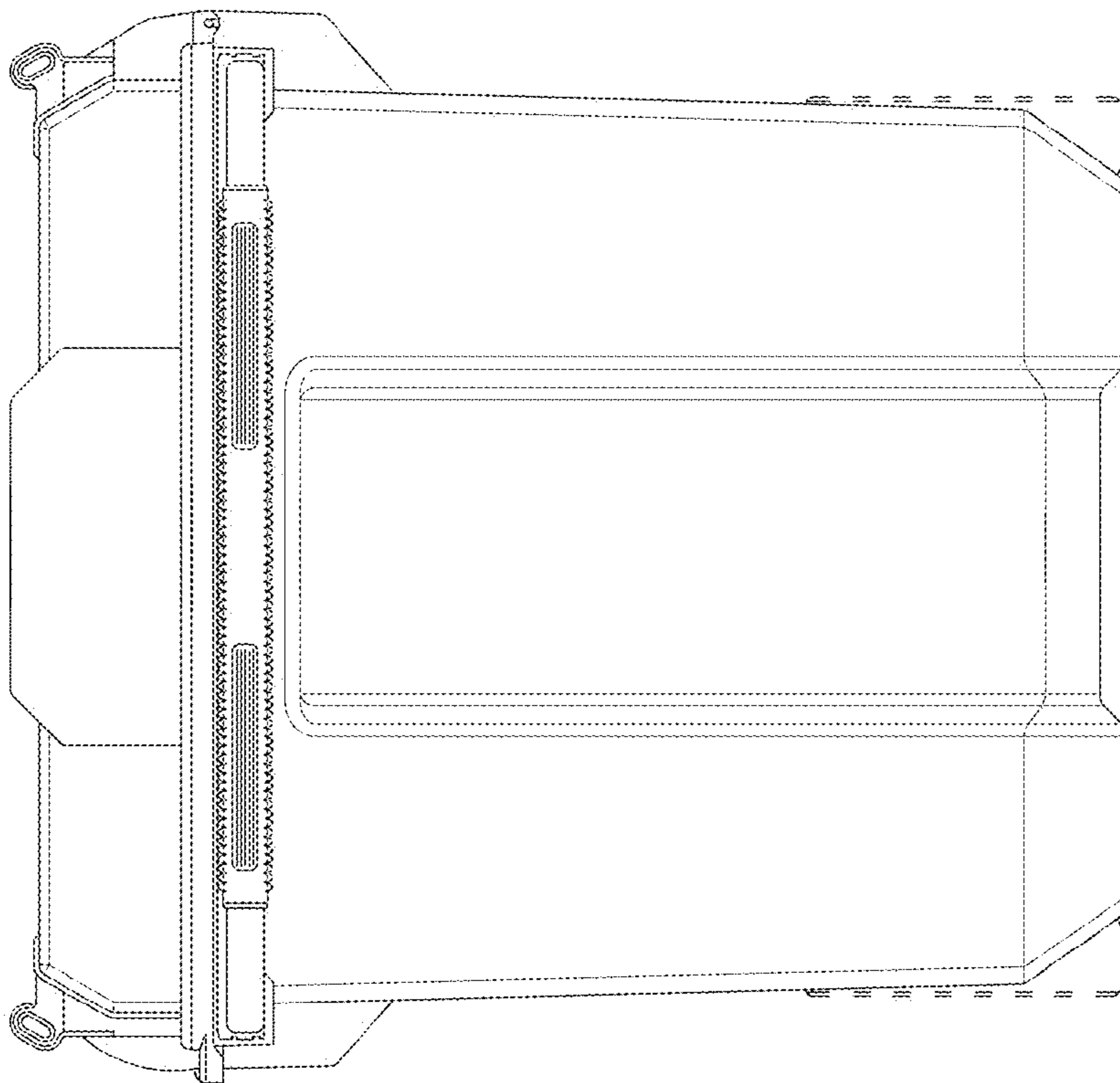


FIG. 2

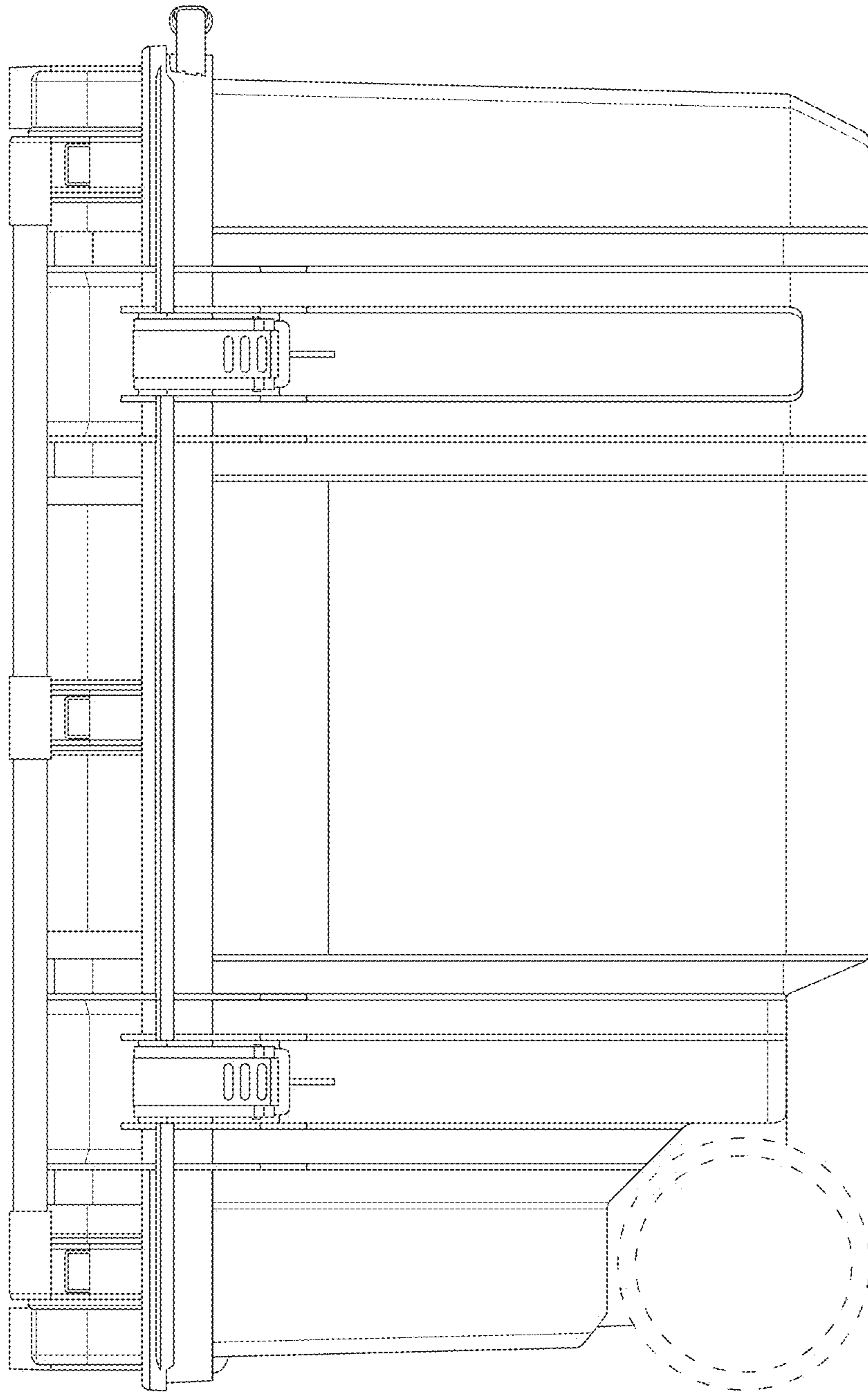


FIG. 4

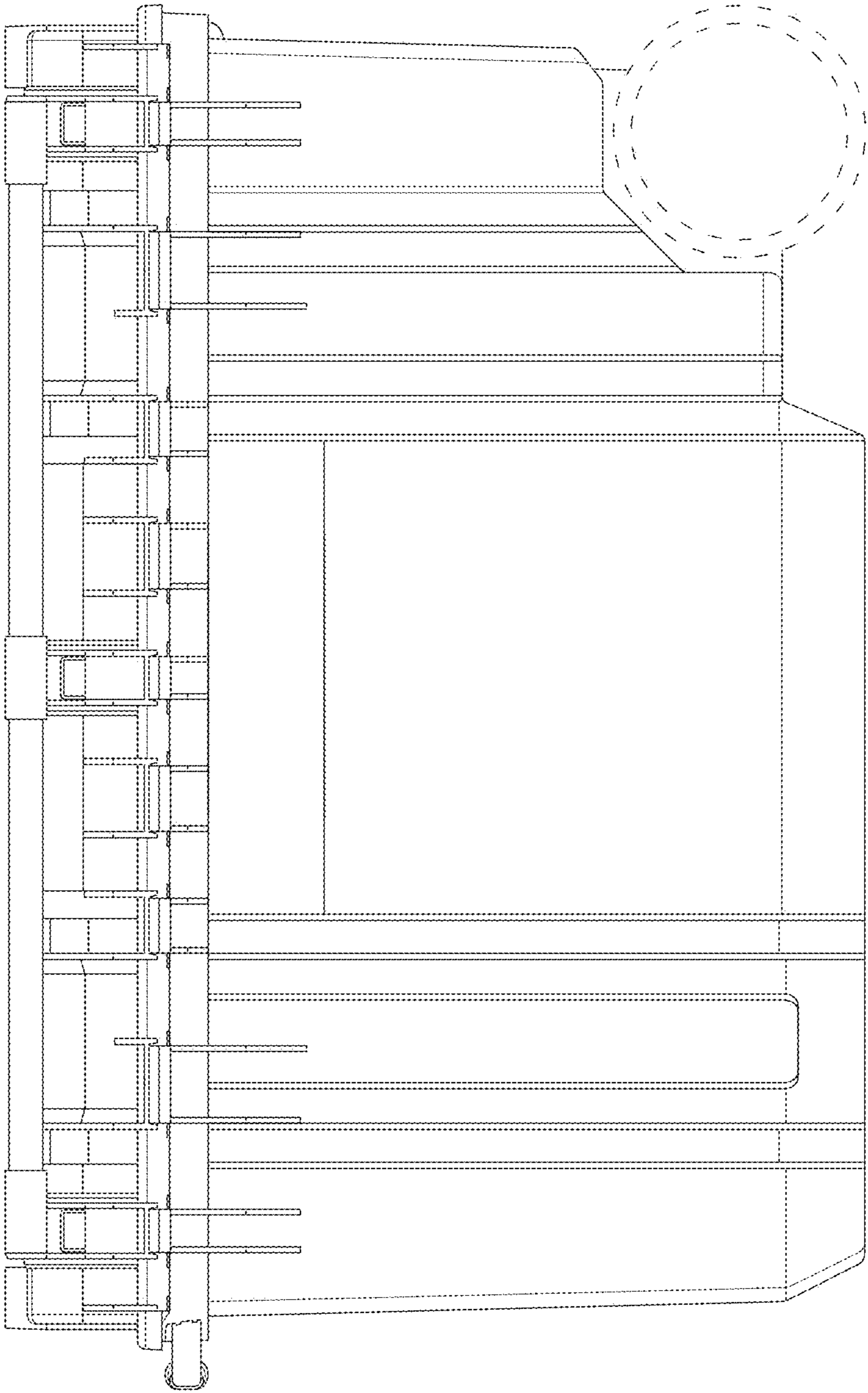


FIG. 5

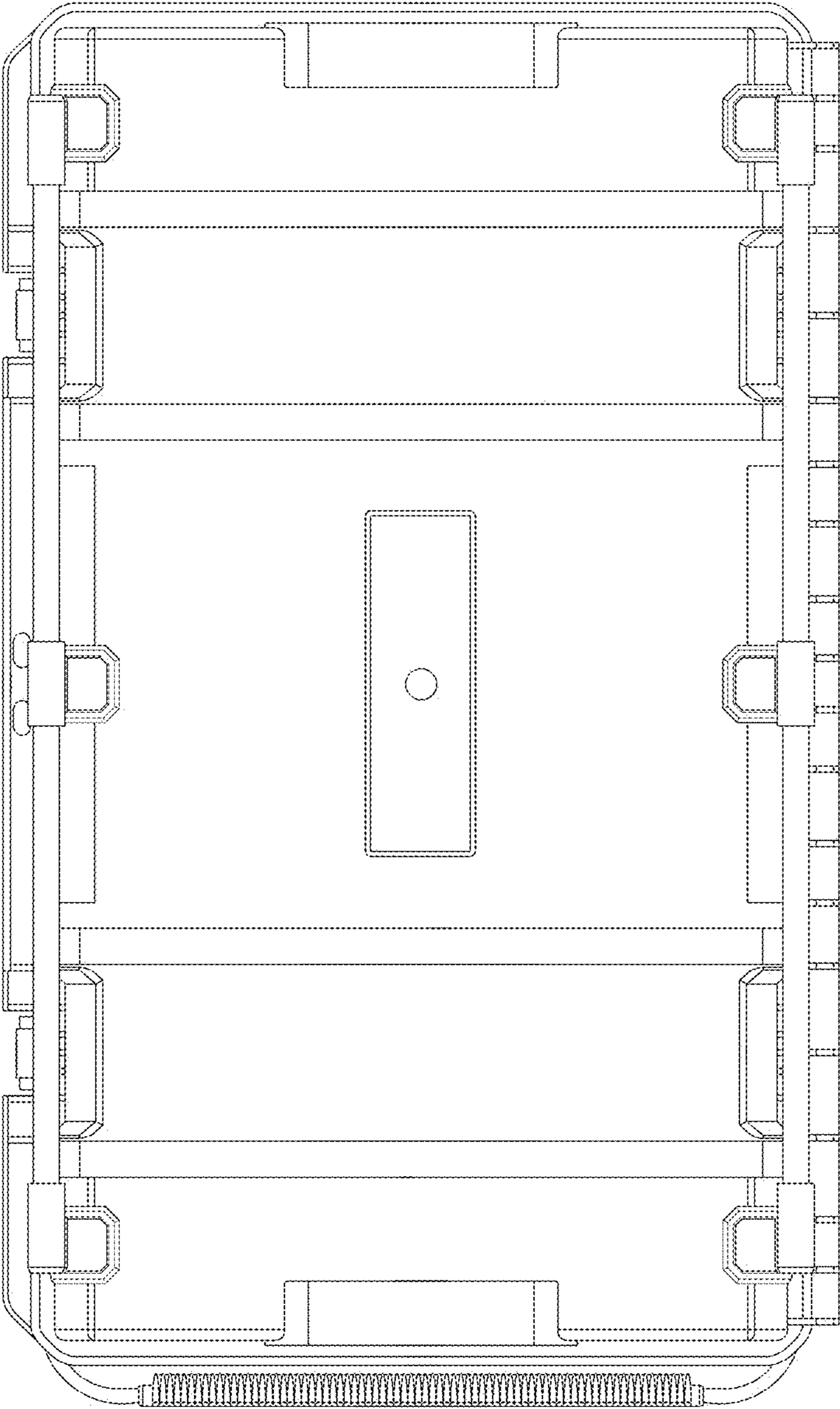


FIG. 6

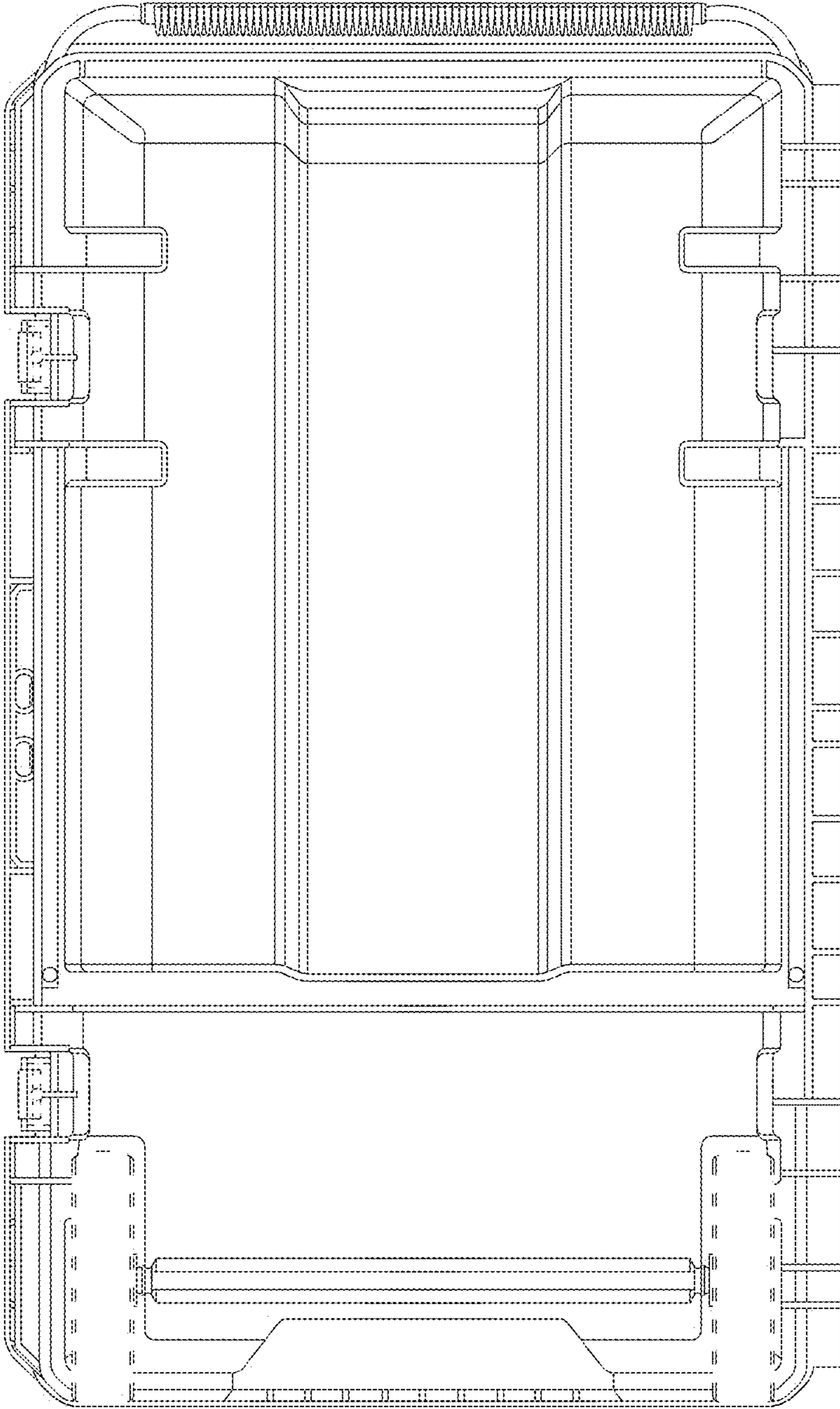


FIG. 7