



US00D767267S

(12) **United States Design Patent** (10) **Patent No.:** **US D767,267 S**
Abramowitz (45) **Date of Patent:** **** Sep. 27, 2016**

(54) **SHOE TOE CAP**

(71) Applicant: **Skechers U.S.A., Inc. II**, Manhattan Beach, CA (US)

(72) Inventor: **Corinne Abramowitz**, Reseda, CA (US)

(73) Assignee: **SKECHERS U.S.A., INC. II**, Manhattan Beach, CA (US)

(**) Term: **15 Years**

(21) Appl. No.: **29/561,897**

(22) Filed: **Apr. 20, 2016**

(51) **LOC (10) Cl.** **02-99**

(52) **U.S. Cl.**
USPC **D2/972**

(58) **Field of Classification Search**
USPC D2/902, 906-908, 944, 946, 969, D2/972-974
CPC A43B 13/181; A43B 13/141; A43B 13/186; A43B 13/188; A43B 23/00; A43B 23/02; A43B 5/00; A43B 23/26; A43B 1/04; A43B 11/14; A43B 7/00; A43C 1/00; A43C 11/00
See application file for complete search history.

(56) **References Cited**

U.S. PATENT DOCUMENTS

D4,646 S	2/1871	Carpenter	
D104,877 S	6/1937	Perugia	
D109,132 S	4/1938	Freeman	
D110,191 S	6/1938	O'Brien	
D110,239 S	6/1938	Benjamin	
D111,095 S	8/1938	Wales	
D116,223 S	8/1939	Epstein	
D163,020 S	4/1951	Braun	
D170,036 S	7/1953	Weiss	
D173,030 S *	9/1954	Hoza	D2/902
D333,376 S *	2/1993	Raffe	D2/969
D514,301 S	2/2006	Kelsey	

(Continued)

Primary Examiner — Dominic Simone

(74) *Attorney, Agent, or Firm* — Marshall A. Lerner; Marvin H. Kleinberg; Kleinberg & Lerner, LLP

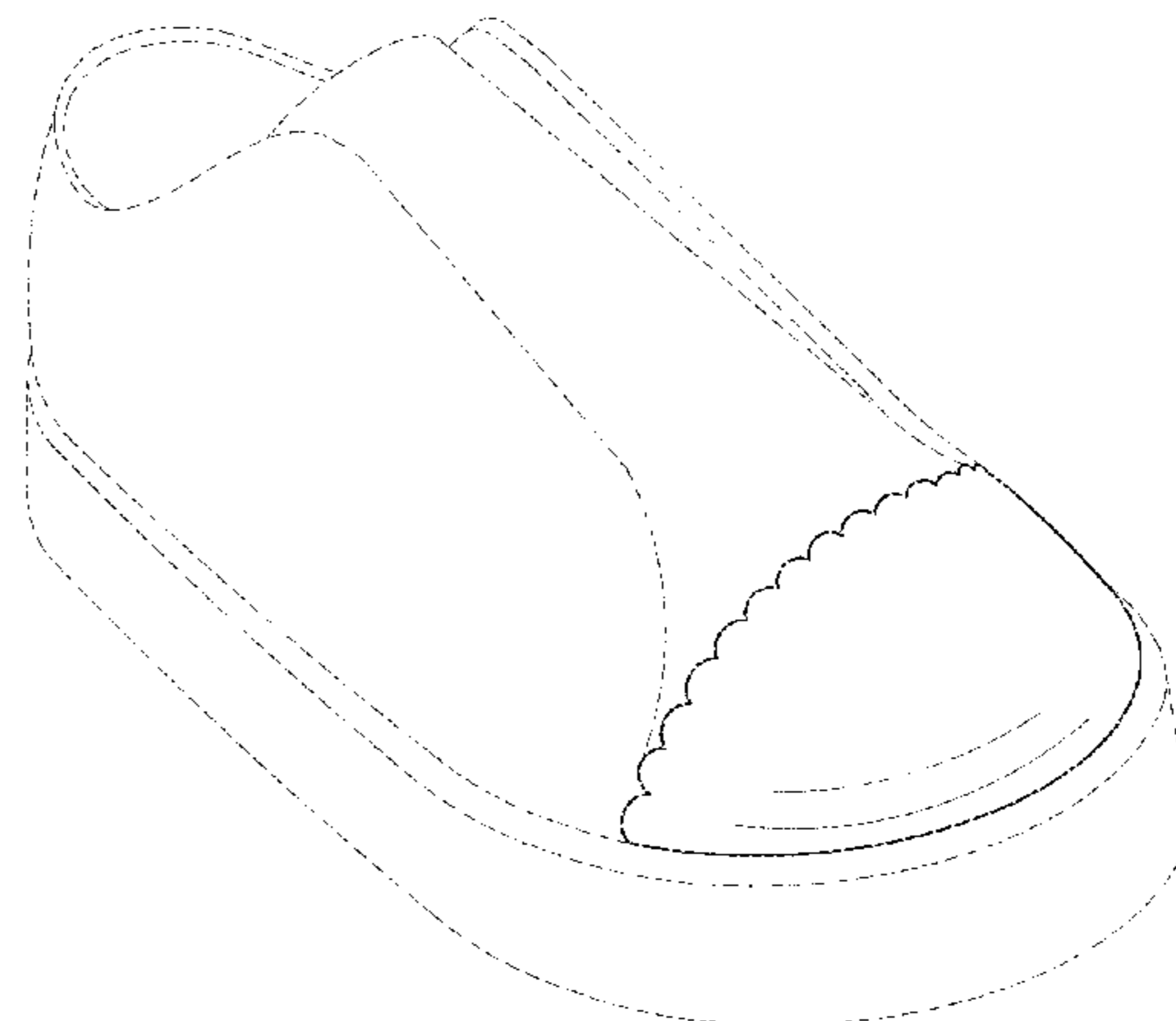
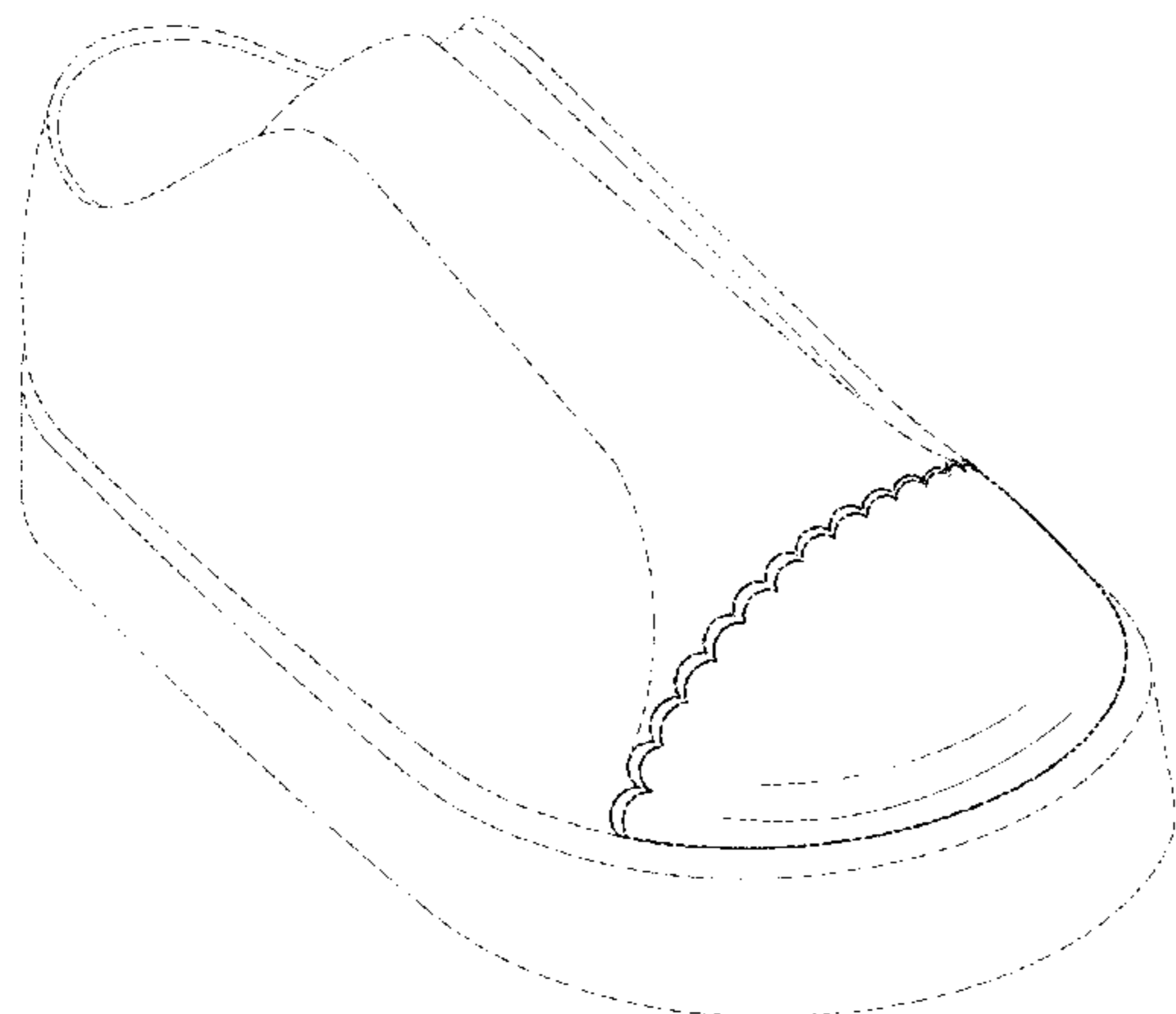
(57) **CLAIM**

The ornamental design for a shoe toe cap, as shown and described.

DESCRIPTION

FIG. 1 is a perspective view of a first exemplary embodiment of a shoe toe cap in accordance with my new design. FIG. 2 is a left side view thereof; FIG. 3 is a right side view thereof; FIG. 4 is a top plan view thereof; FIG. 5 is a bottom plan view thereof; FIG. 6 is a front elevation view thereof and FIG. 7 is a rear elevation view thereof. FIG. 8 is a perspective view of a second exemplary embodiment of a shoe toe cap in accordance with my new design. FIG. 9 is a left side view thereof; FIG. 10 is a right side view thereof; FIG. 11 is a top plan view thereof; FIG. 12 is a bottom plan view thereof; FIG. 13 is a front elevation view thereof and FIG. 14 is a rear elevation view thereof. FIG. 15 is a perspective view of a third exemplary embodiment of a shoe toe cap in accordance with my new design. FIG. 16 is a left side view thereof; FIG. 17 is a right side view thereof; FIG. 18 is a top plan view thereof; FIG. 19 is a bottom plan view thereof; FIG. 20 is a front elevation view thereof; and, FIG. 21 is a rear elevation view thereof. Broken lines showing the remainder of the shoe in the figures are for illustrative purposes only and form no part of the claimed invention.

1 Claim, 12 Drawing Sheets



(56)

References Cited

U.S. PATENT DOCUMENTS

D524,022 S 7/2006 Kelsey
D525,020 S 7/2006 Kelsey
D525,418 S 7/2006 Kelsey
D556,439 S * 12/2007 Zimmerman D2/972
D571,095 S * 6/2008 Clifford D2/946
D580,153 S * 11/2008 Evans D2/900
D586,100 S 2/2009 Schoenborn et al.

D609,897 S * 2/2010 Carbonere D2/969
D609,898 S * 2/2010 Carbonere D2/969
D615,734 S * 5/2010 Di Nucci D2/902
D651,390 S * 1/2012 Van Zyll De Jong D2/969
D656,717 S * 4/2012 Abramowitz D2/946
D660,569 S * 5/2012 Abramowitz D2/939
D661,079 S * 6/2012 Yang D2/969
D665,562 S * 8/2012 Di Nucci D2/902
D676,640 S 2/2013 Guers-Neyraud
D694,505 S * 12/2013 Brozina D2/972

* cited by examiner

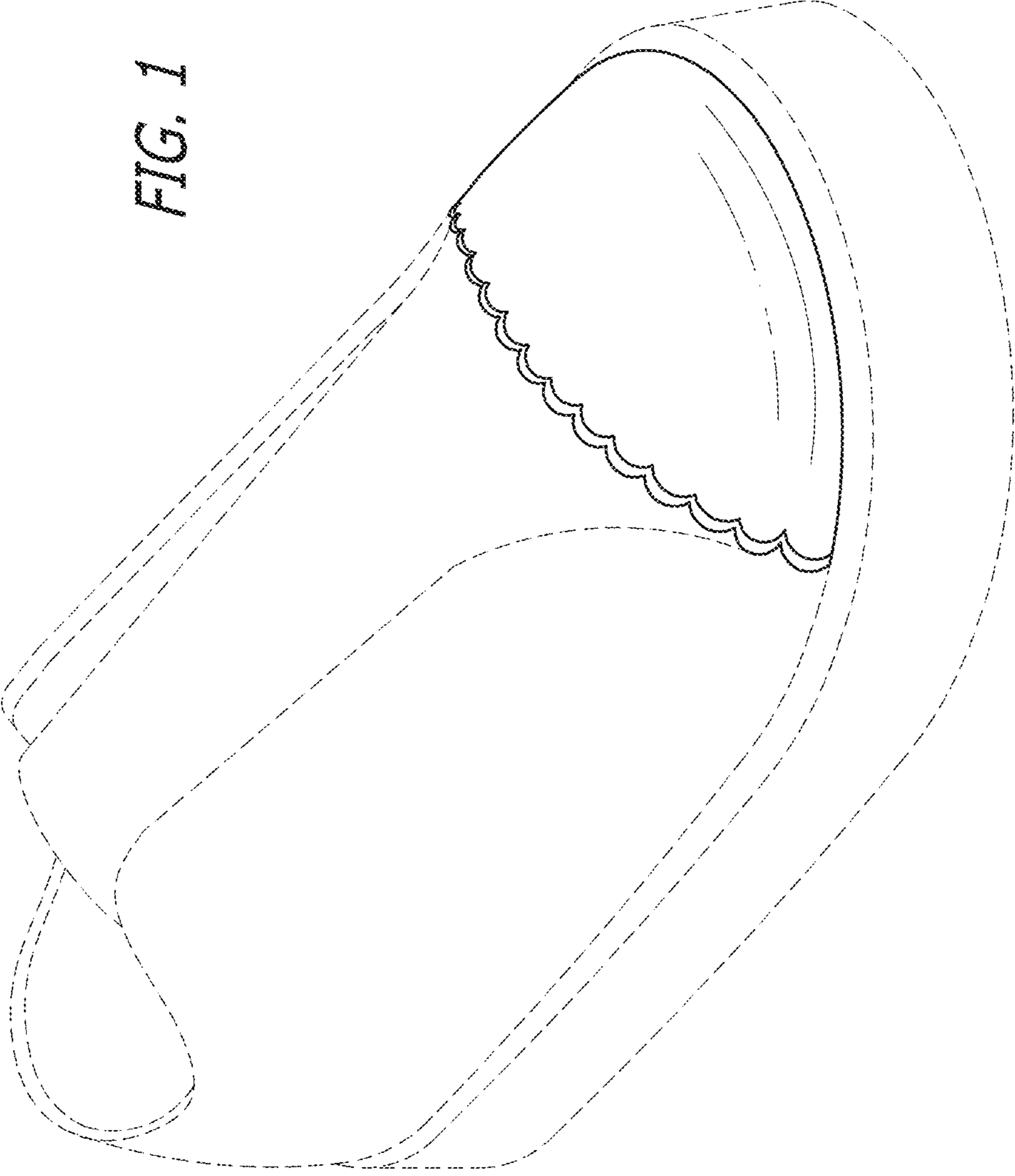


FIG. 1

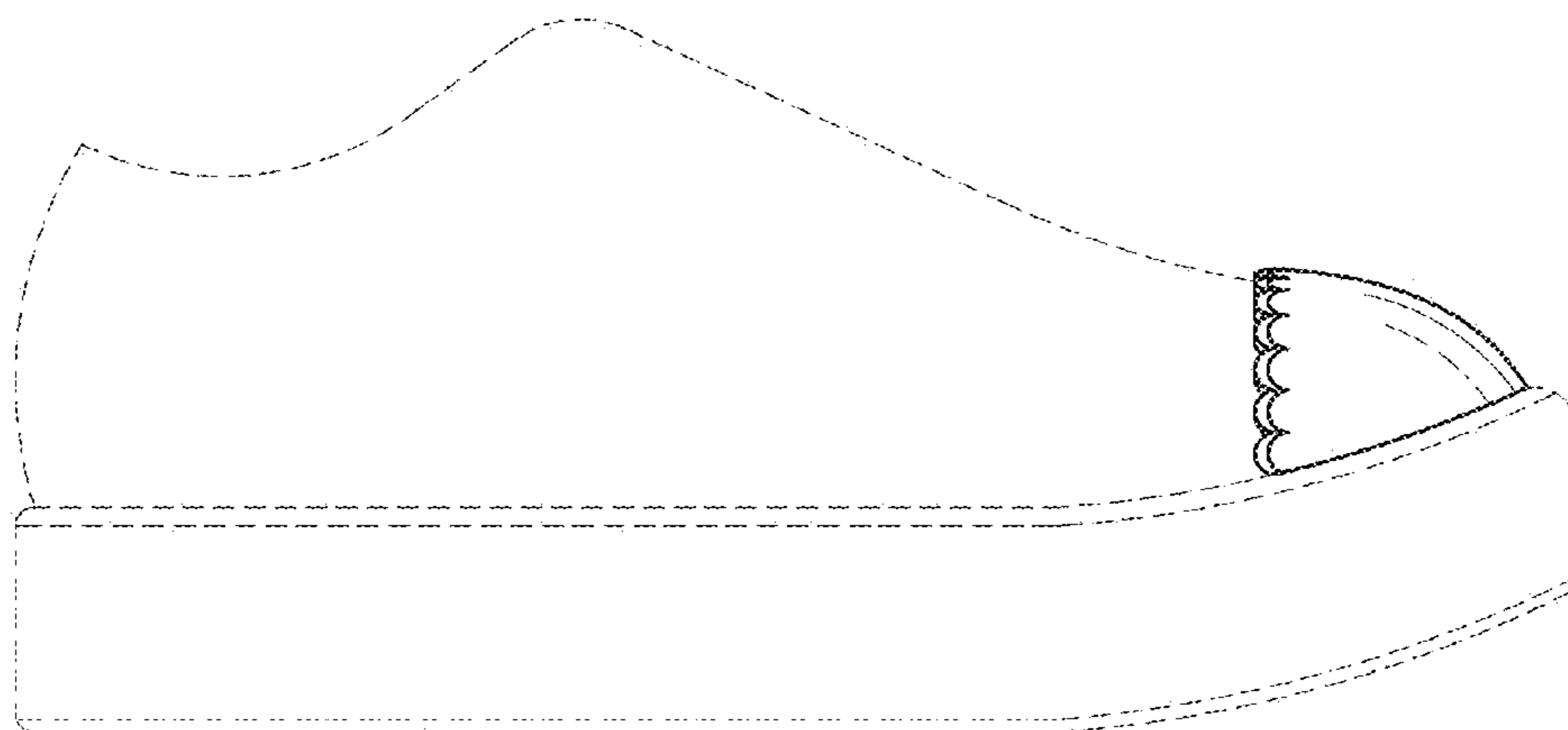


FIG. 2

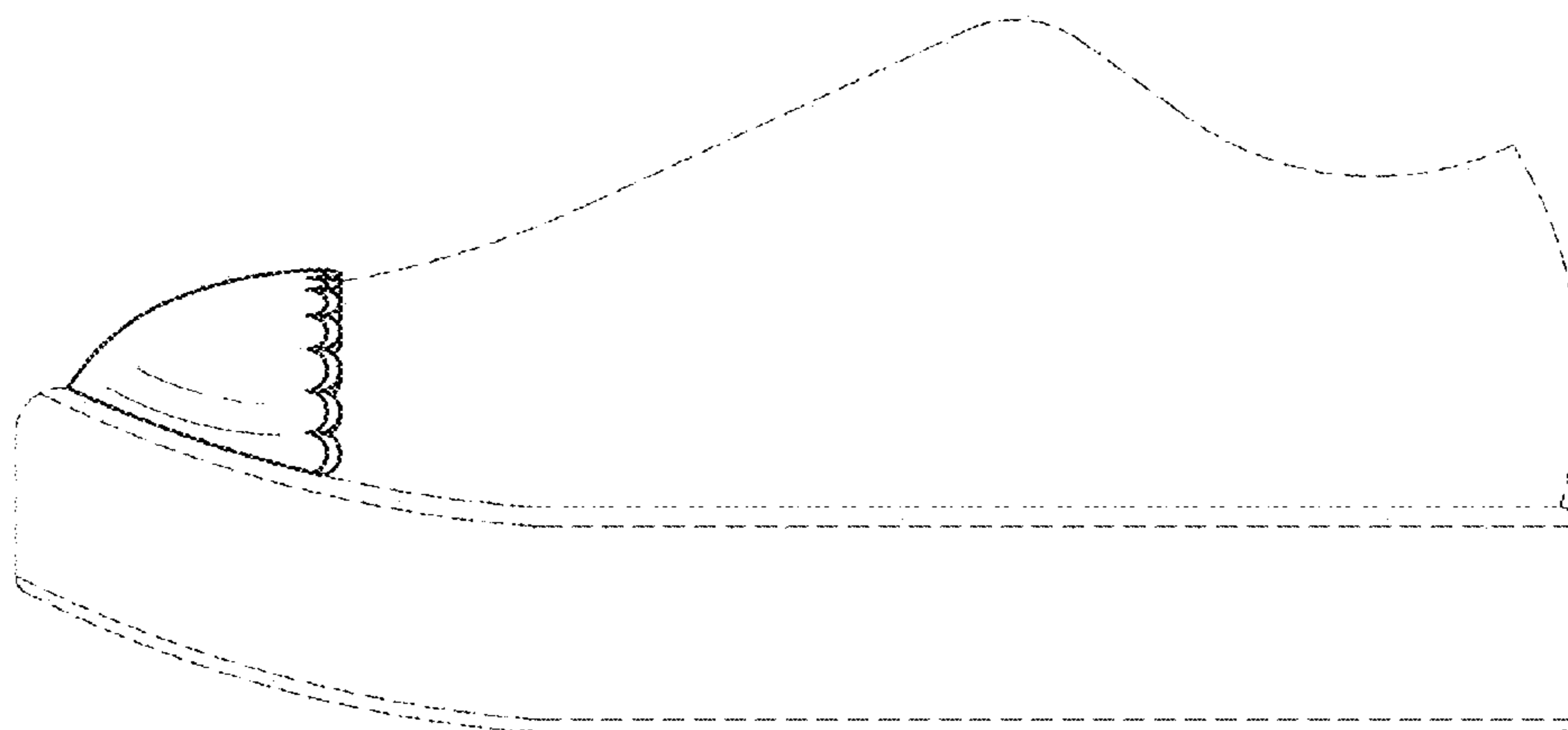


FIG. 3

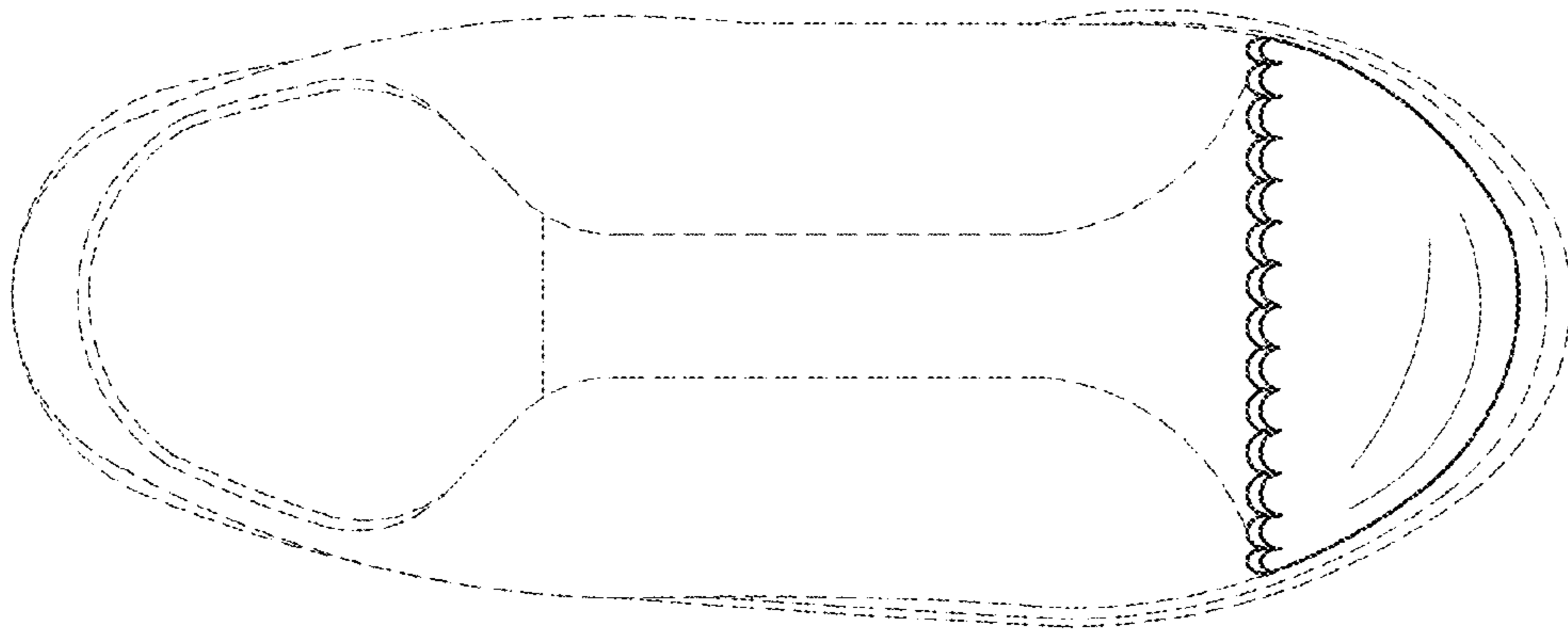


FIG. 4

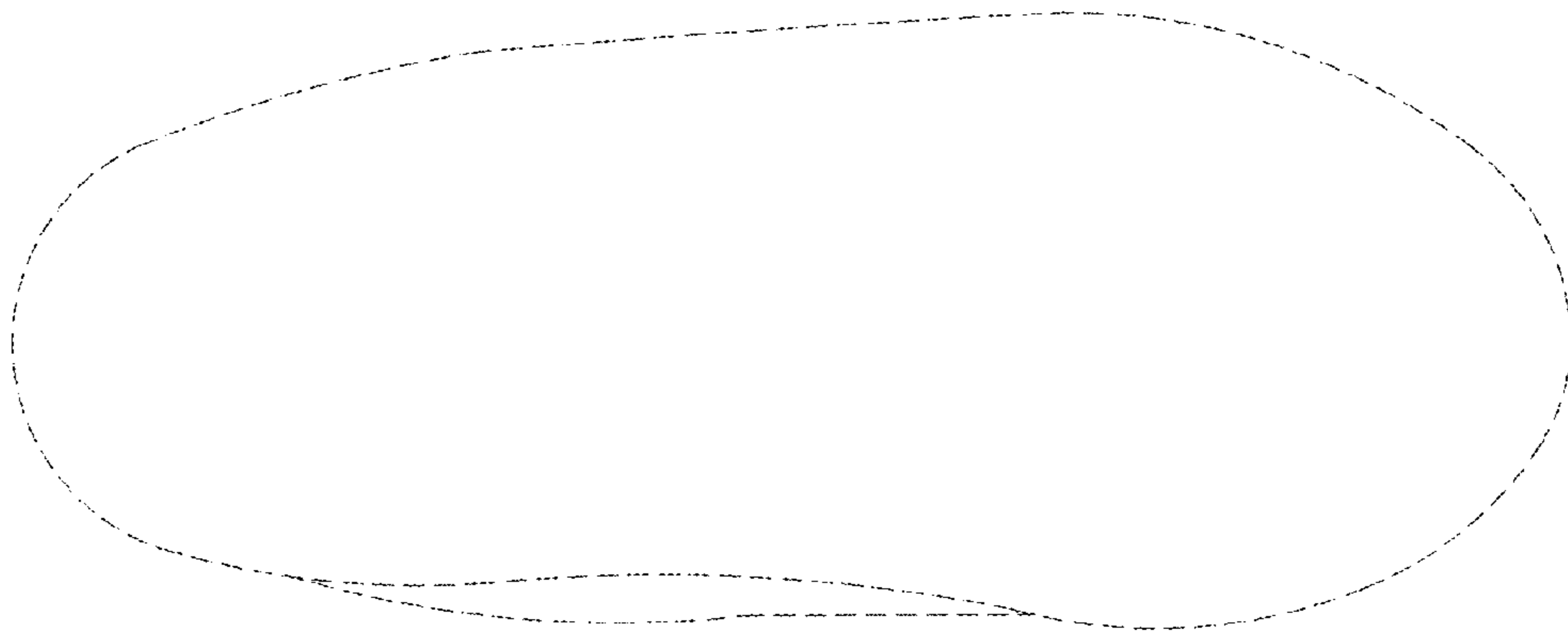


FIG. 5

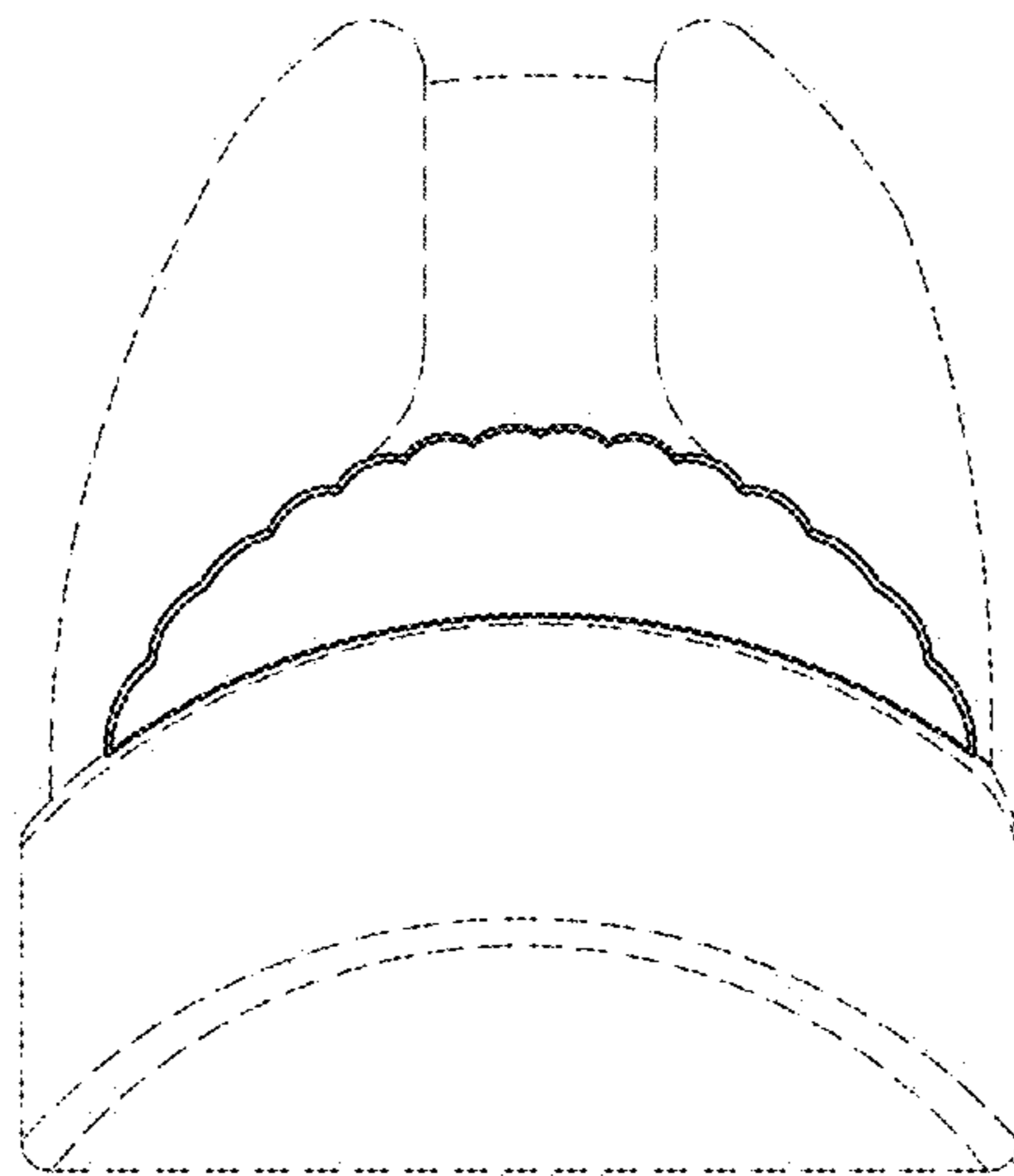


FIG. 6

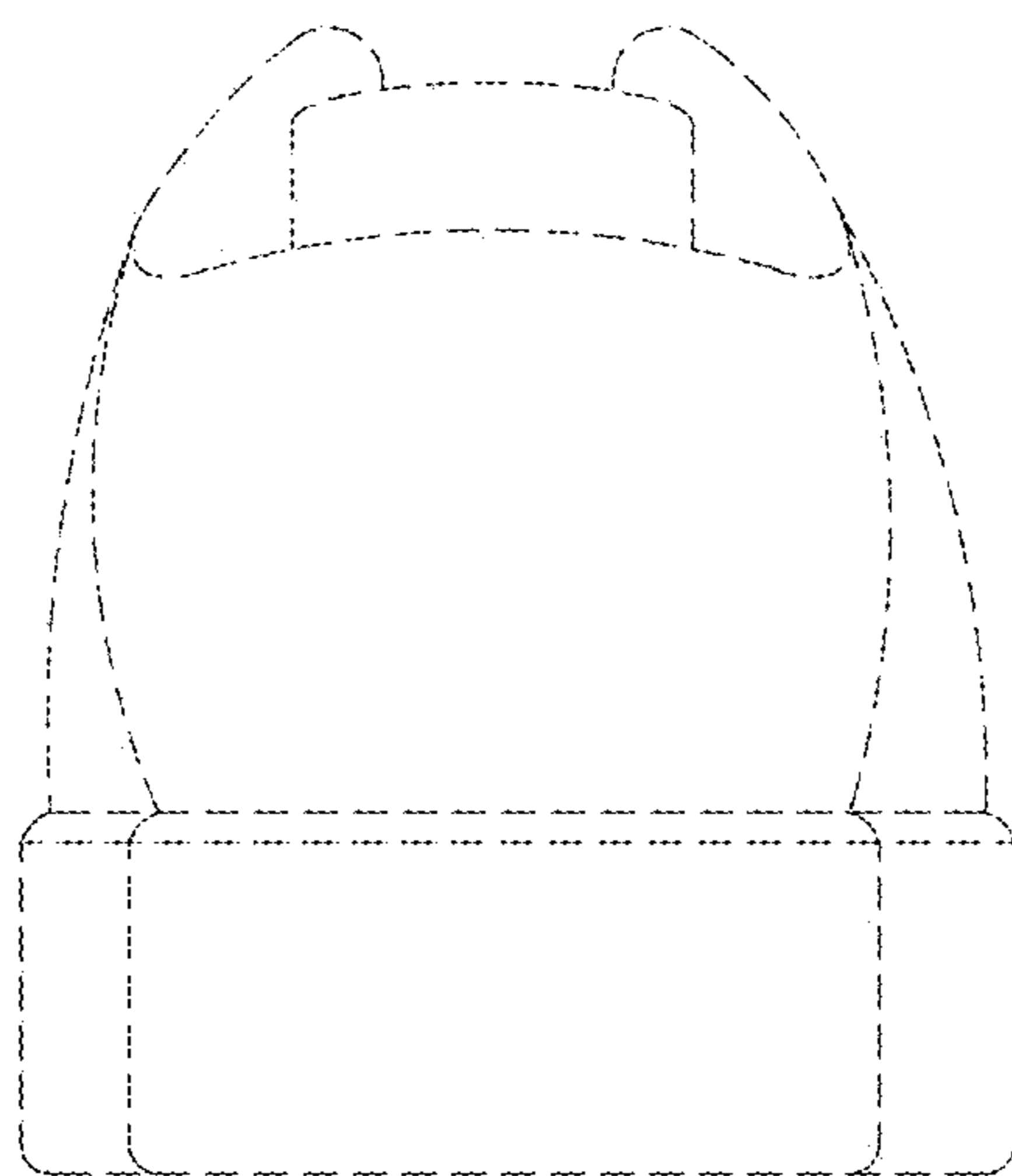
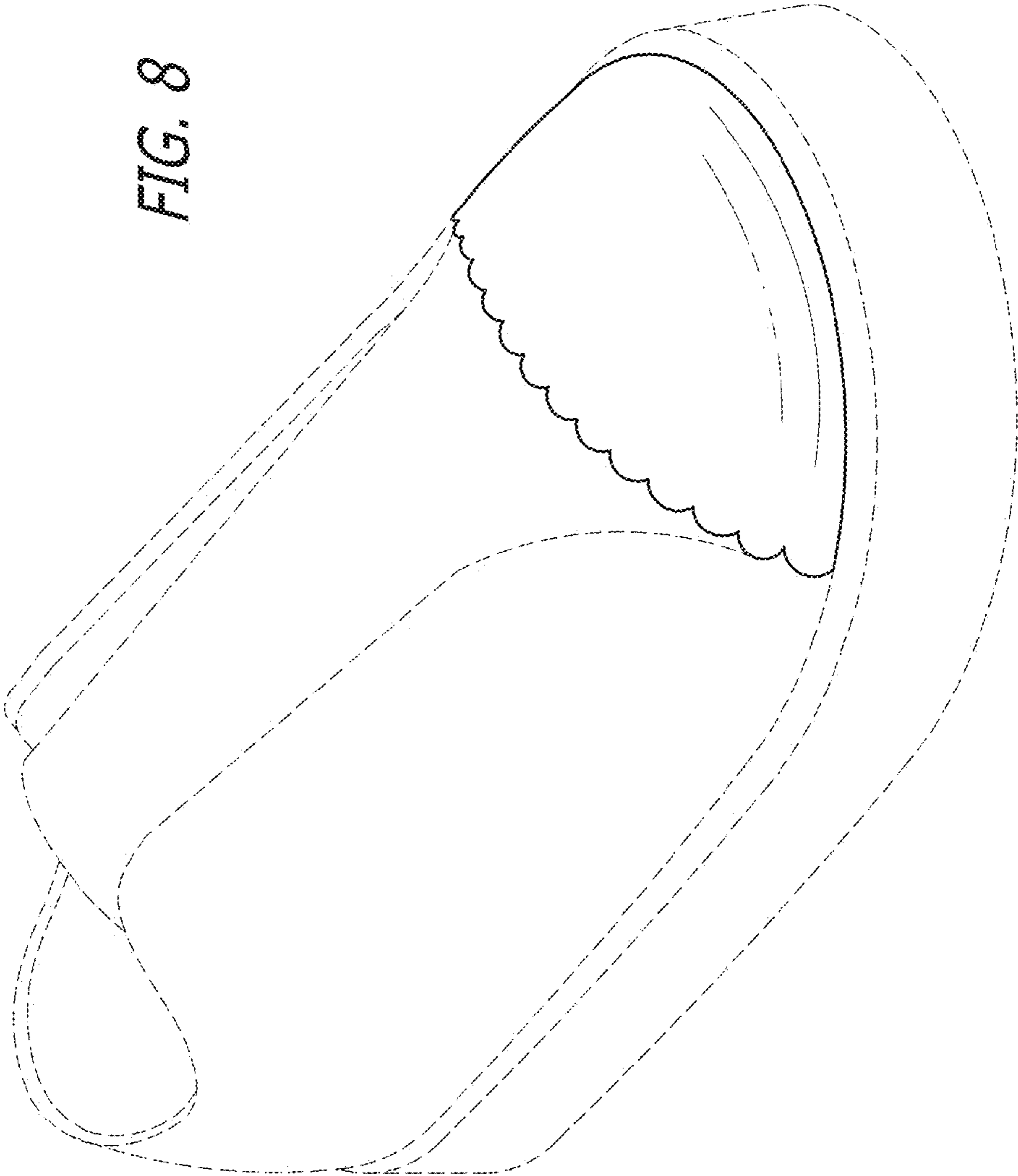


FIG. 7

FIG. 8



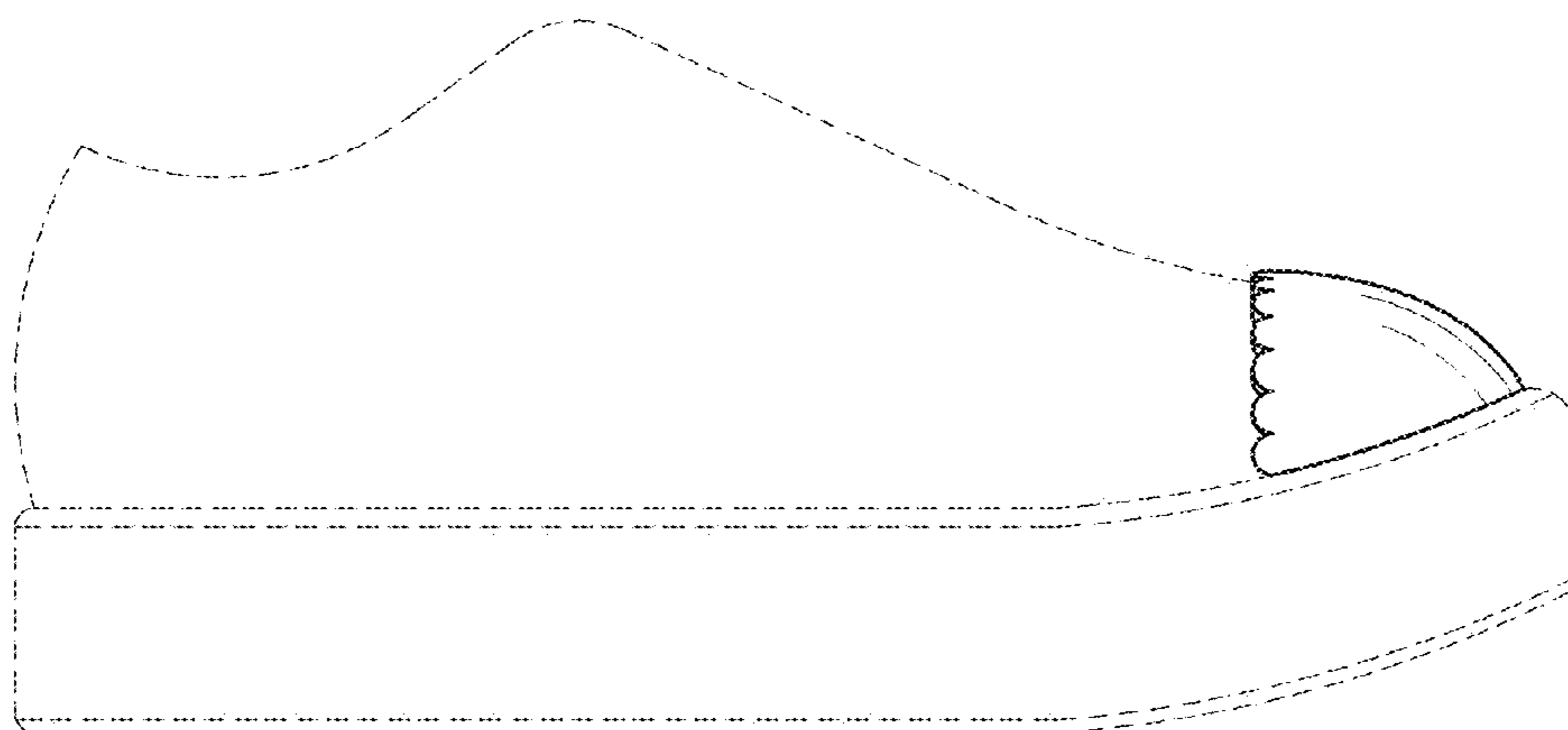


FIG. 9

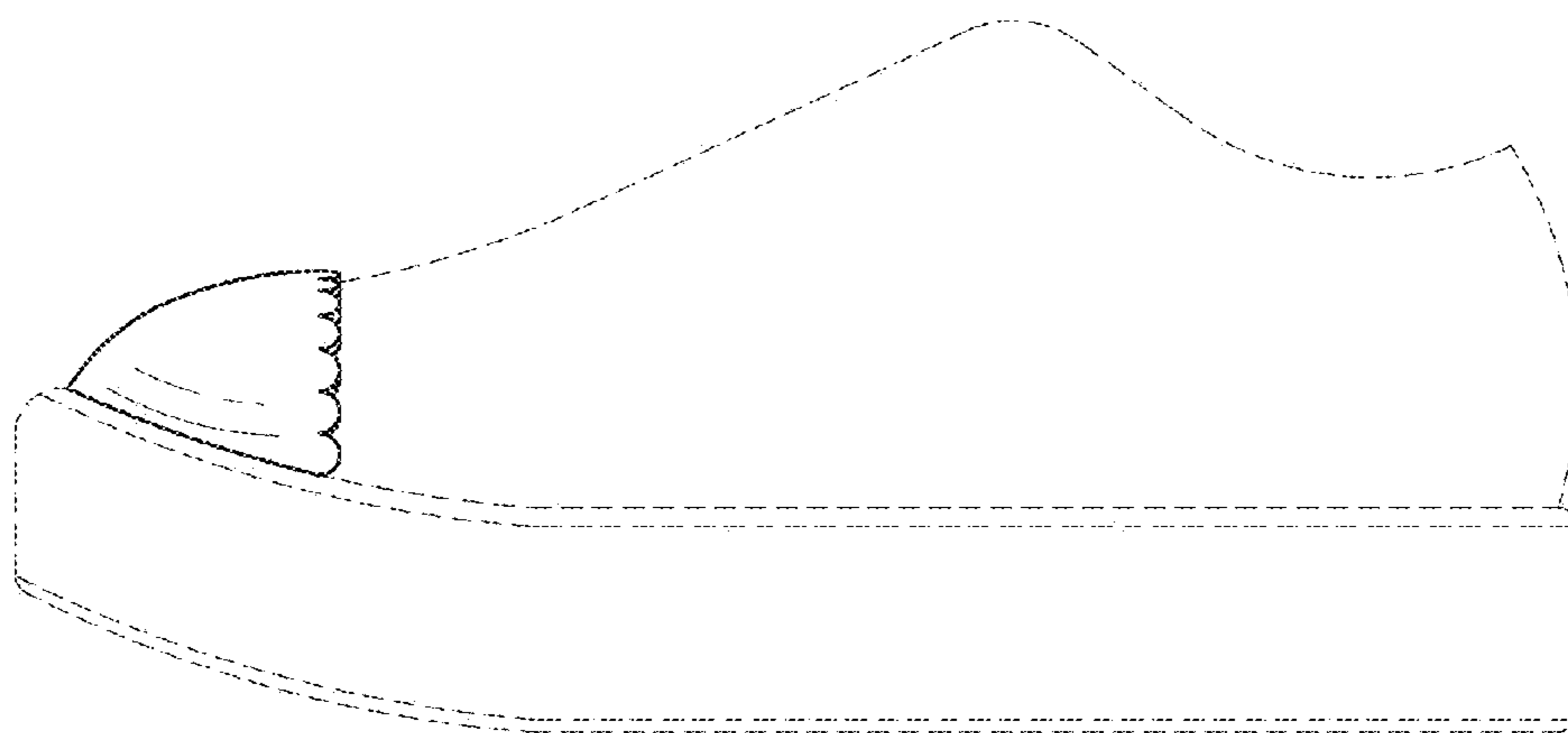


FIG. 10

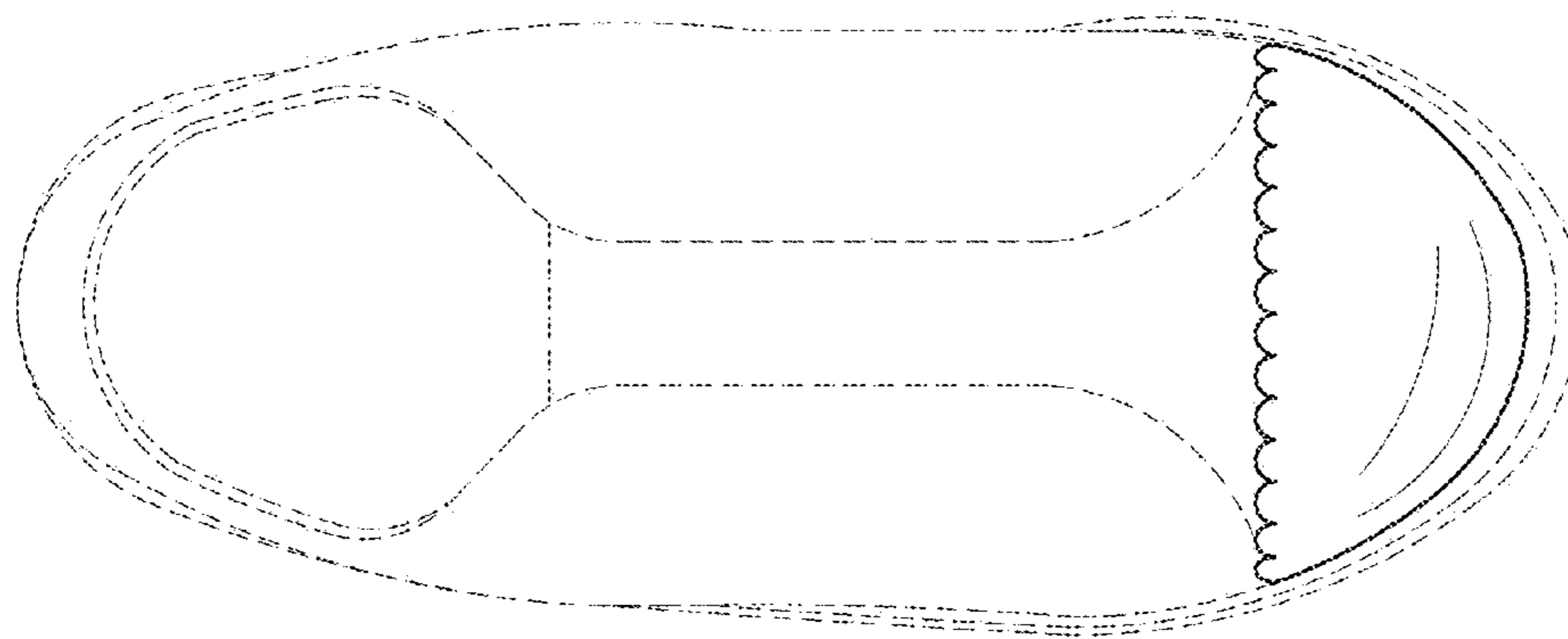


FIG. 11

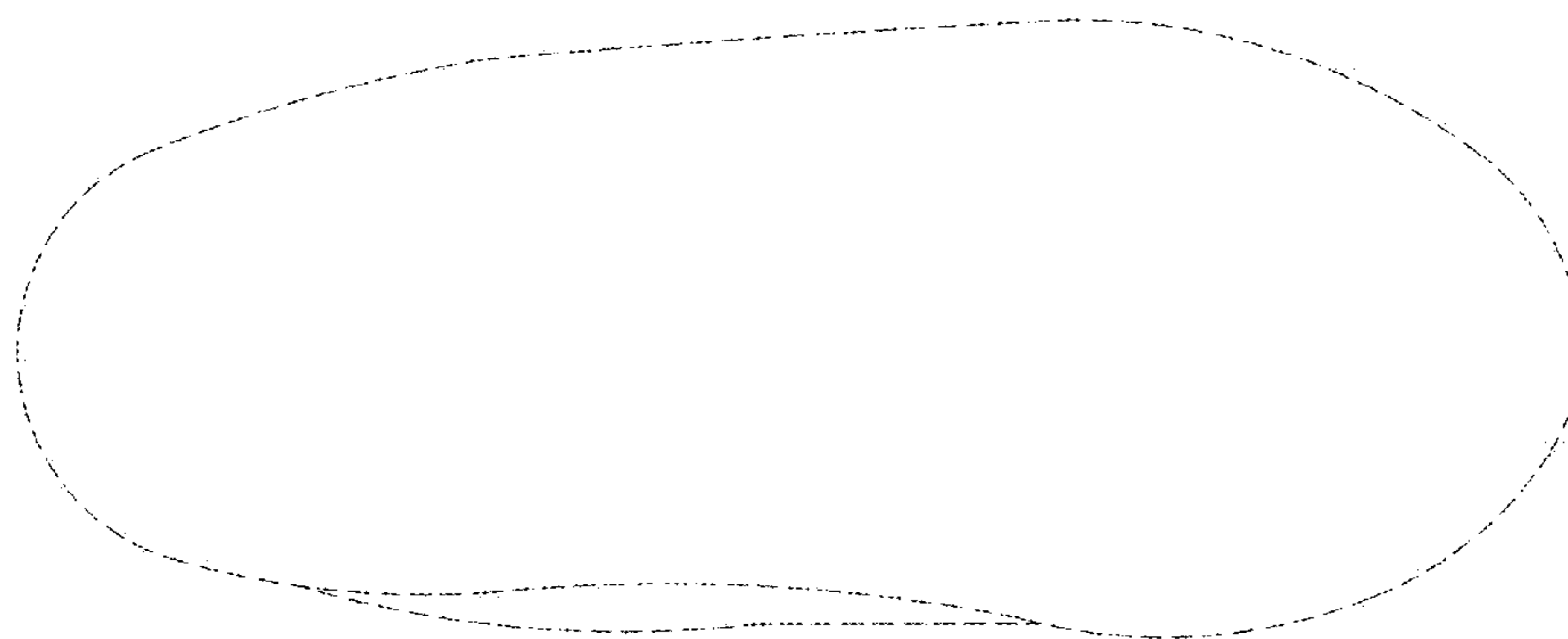


FIG. 12

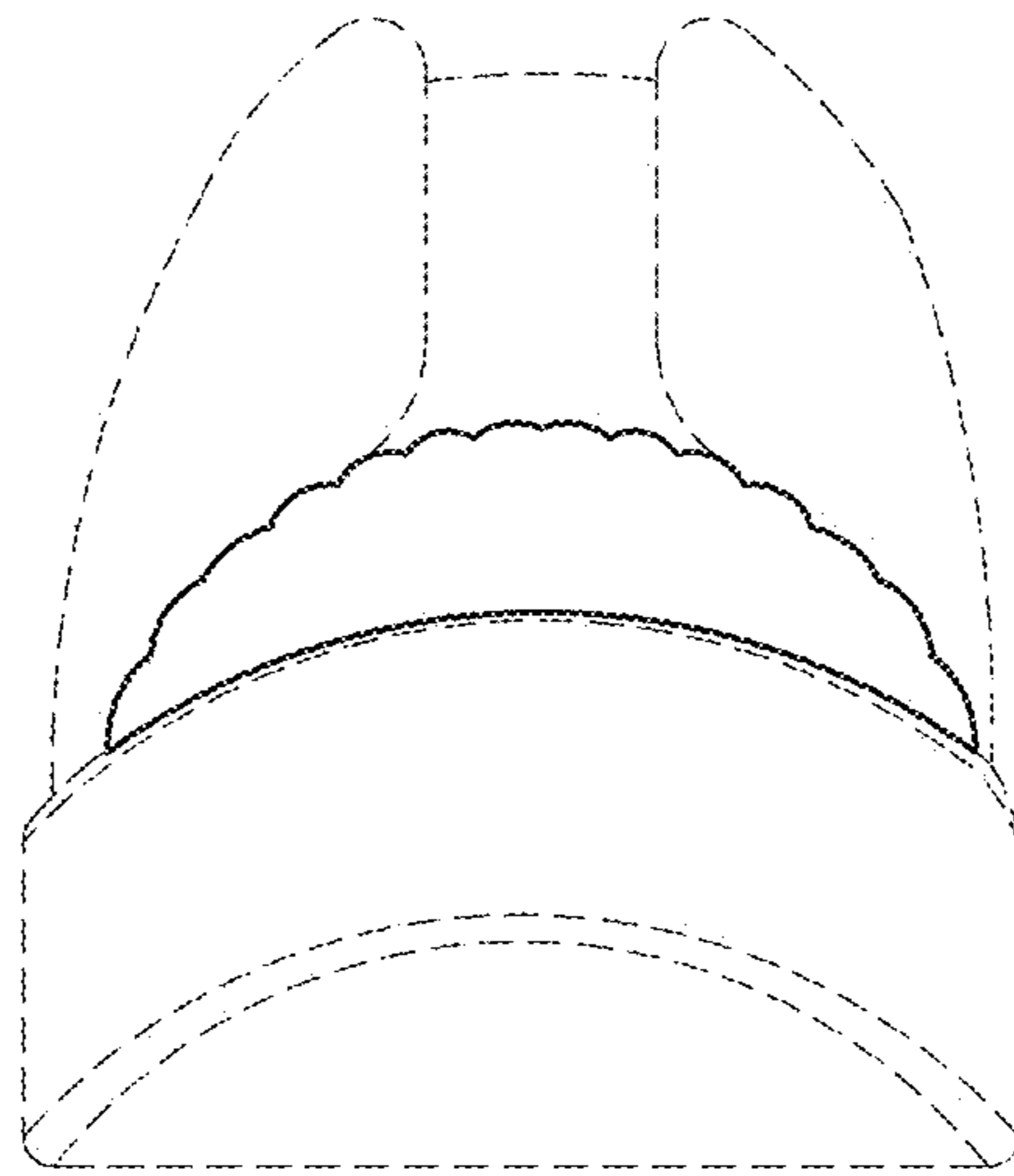


FIG. 13

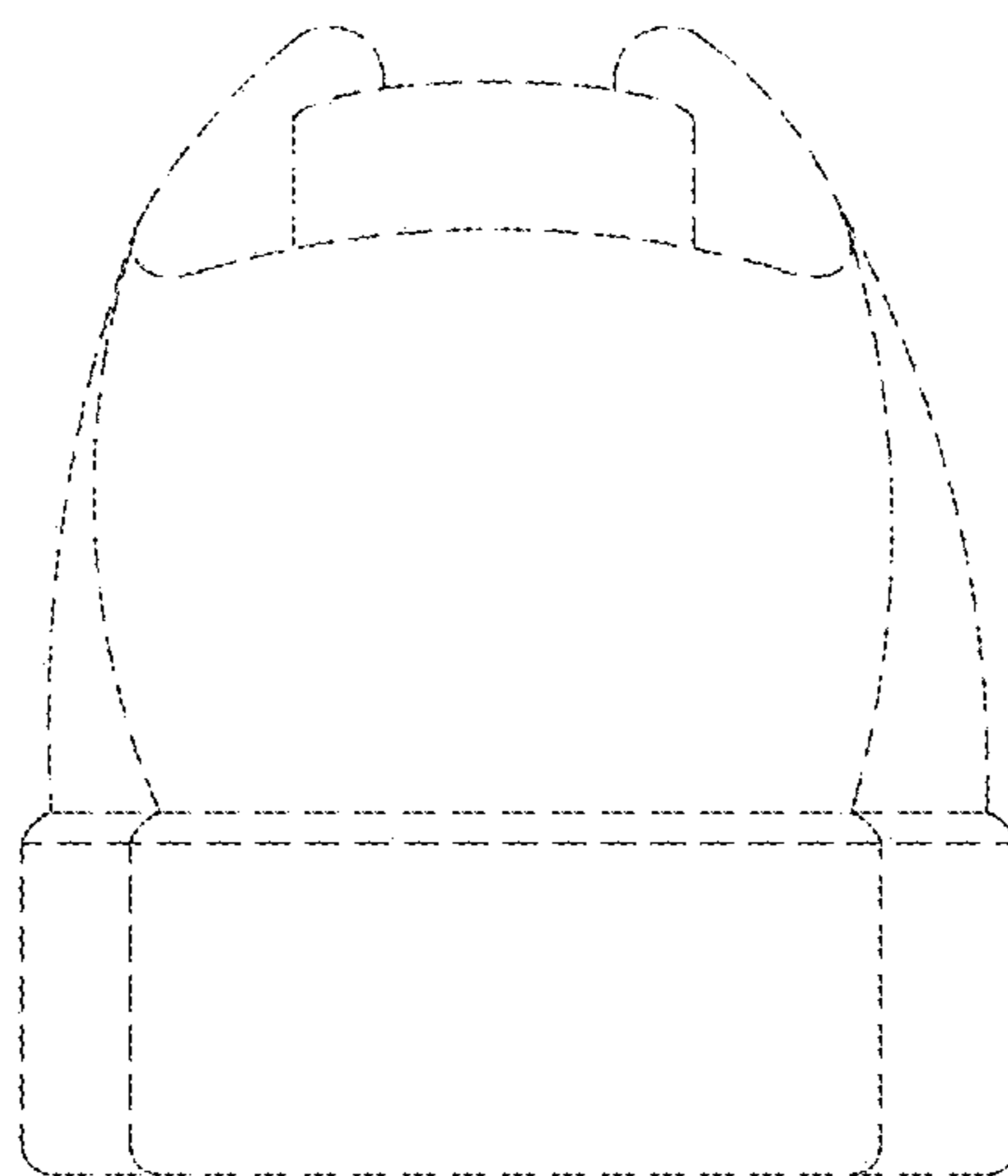
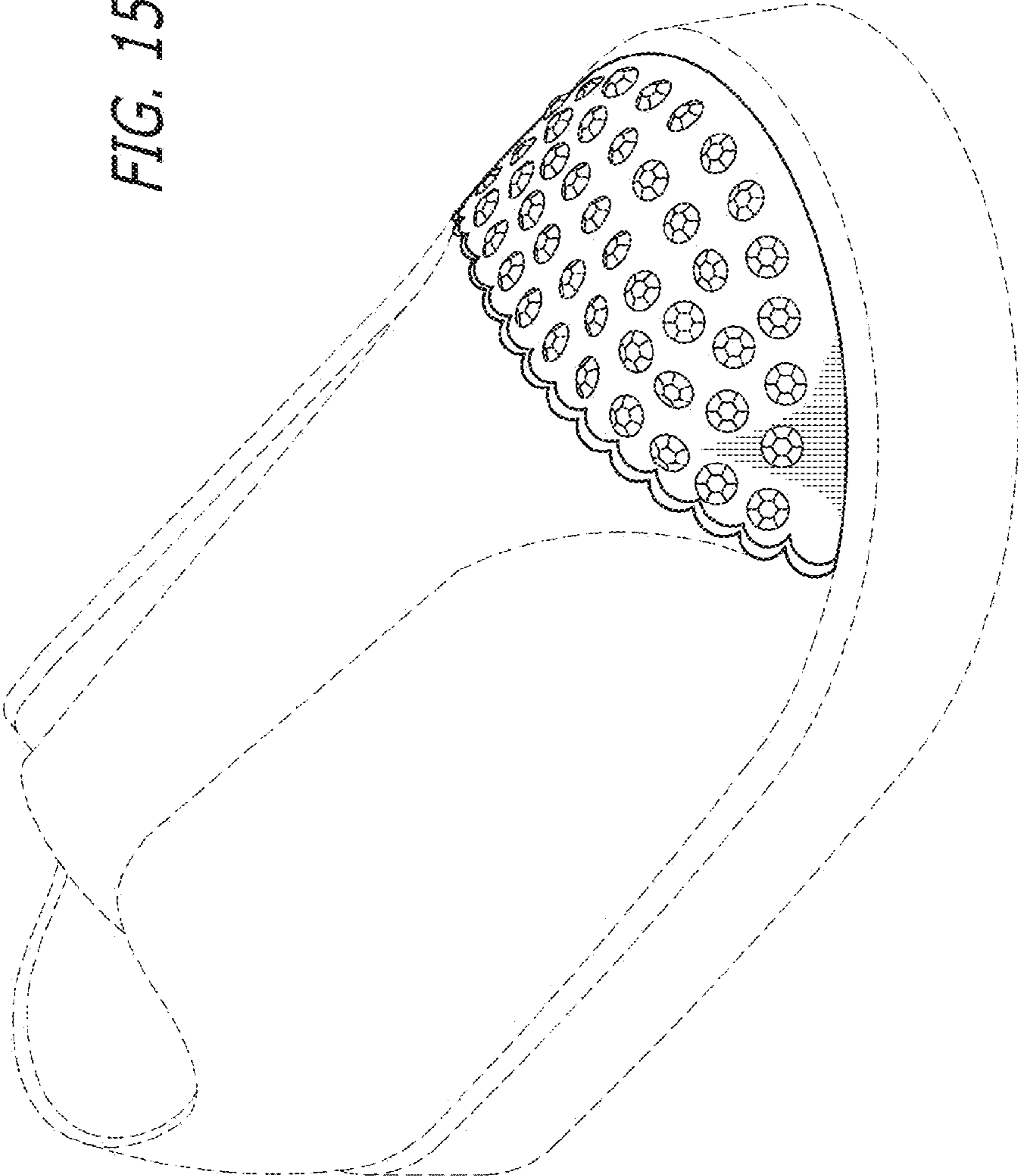


FIG. 14

FIG. 15



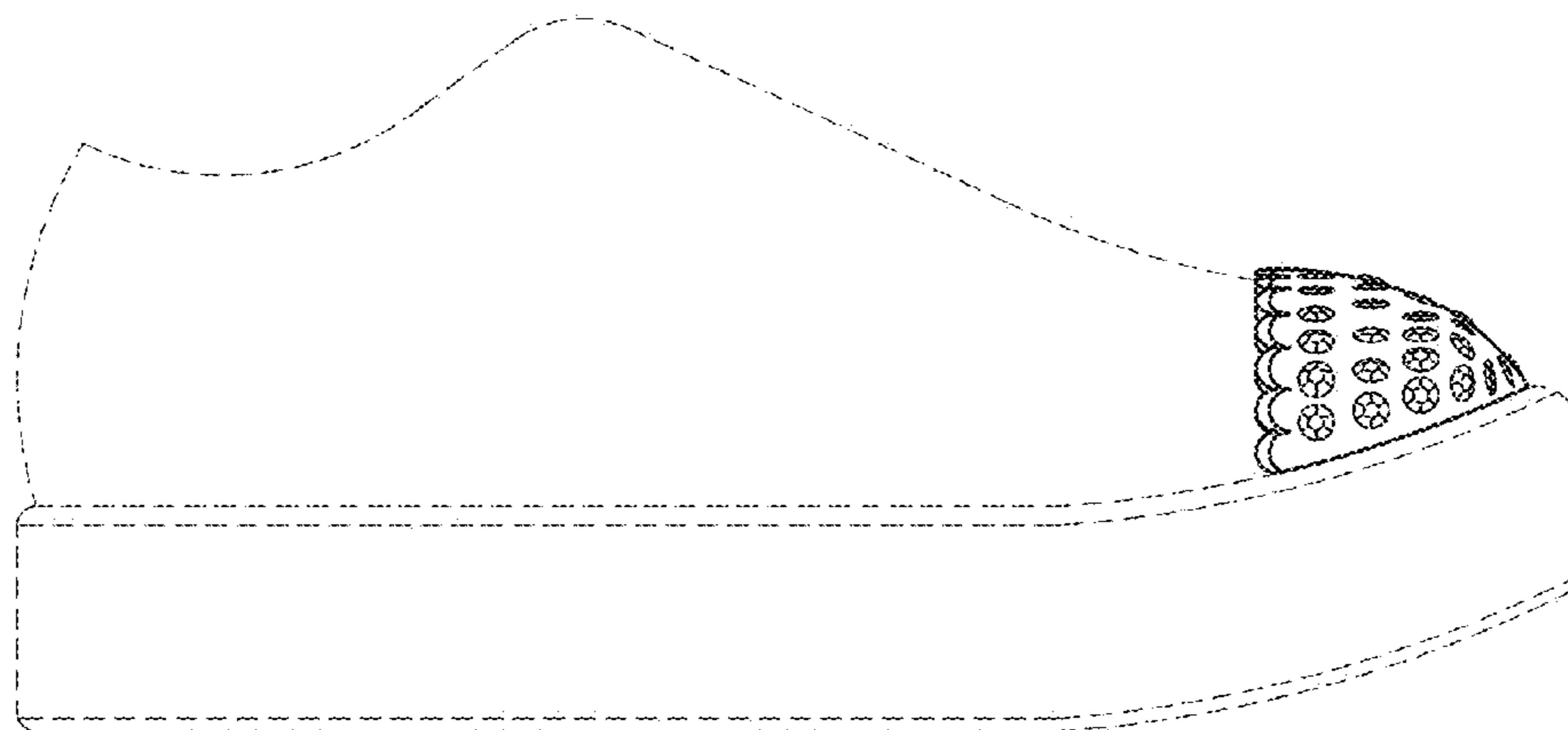


FIG. 16

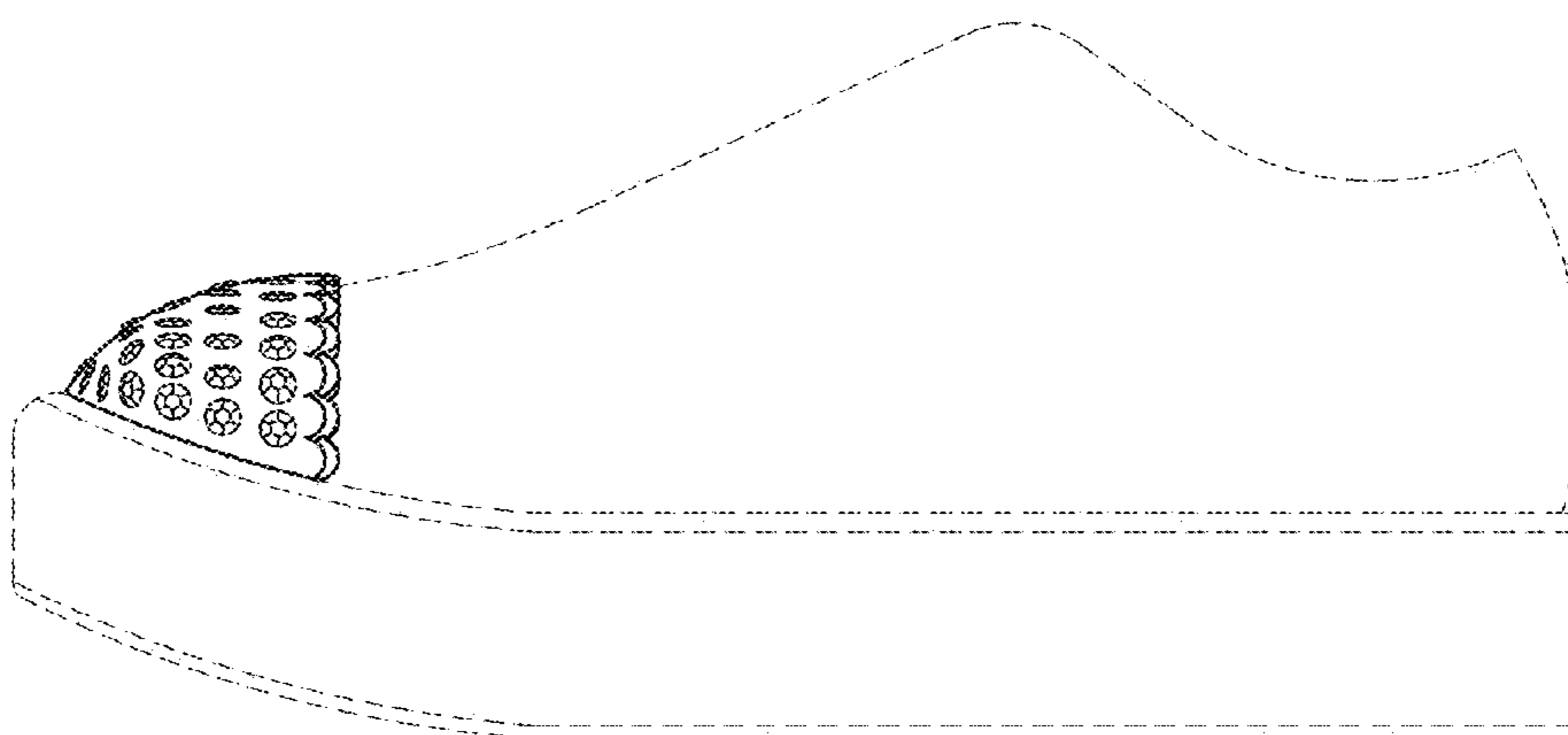


FIG. 17

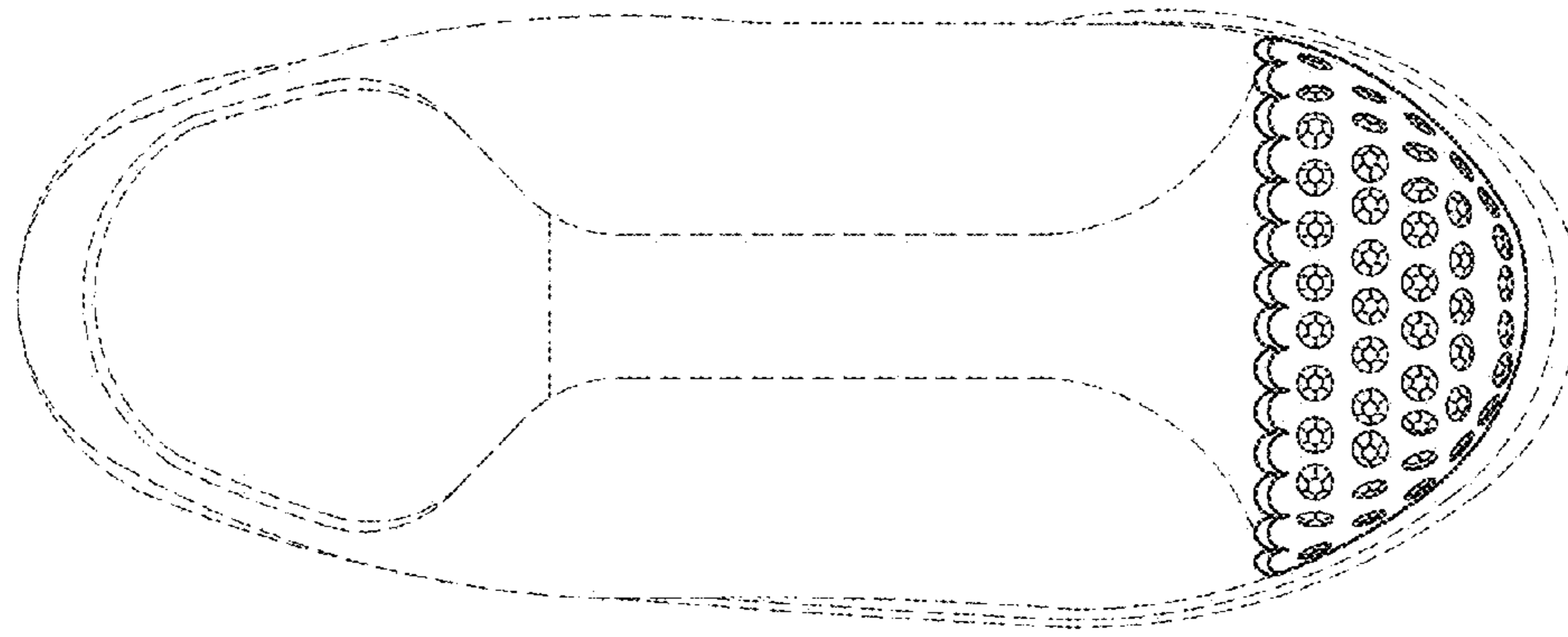


FIG. 18

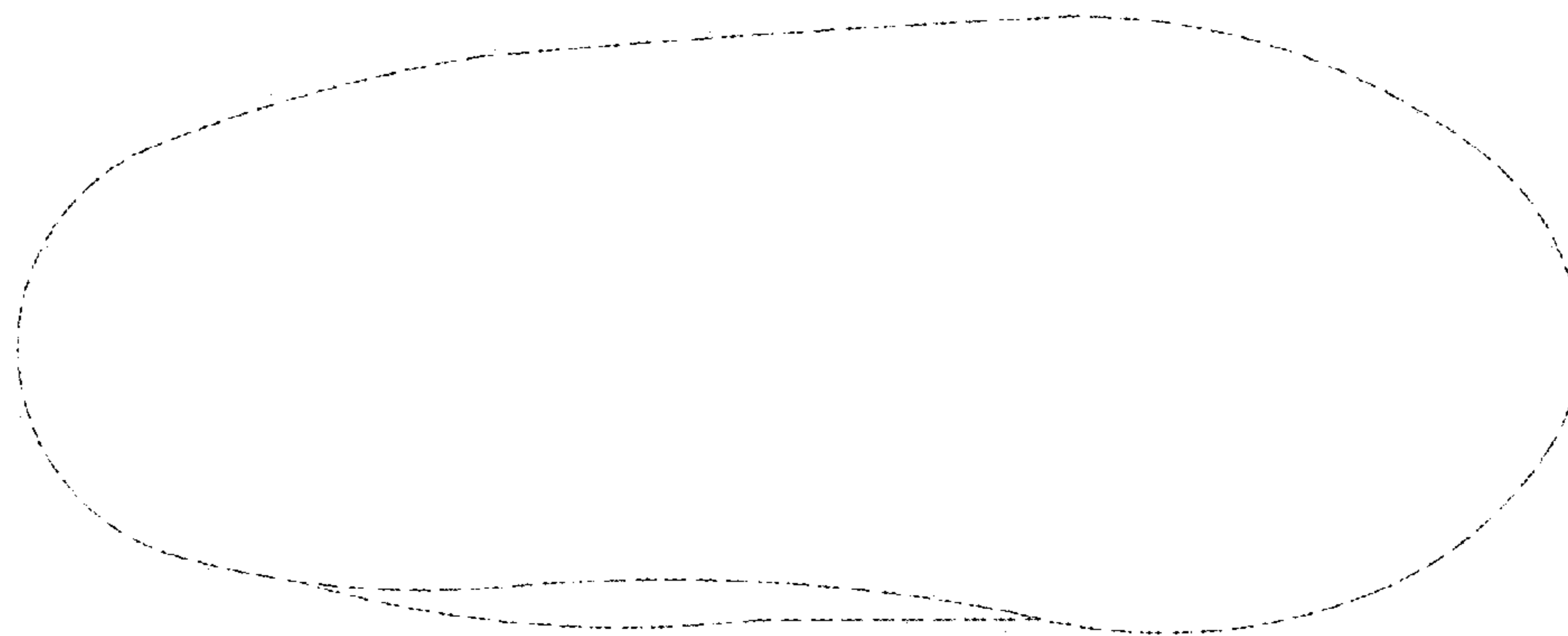


FIG. 19

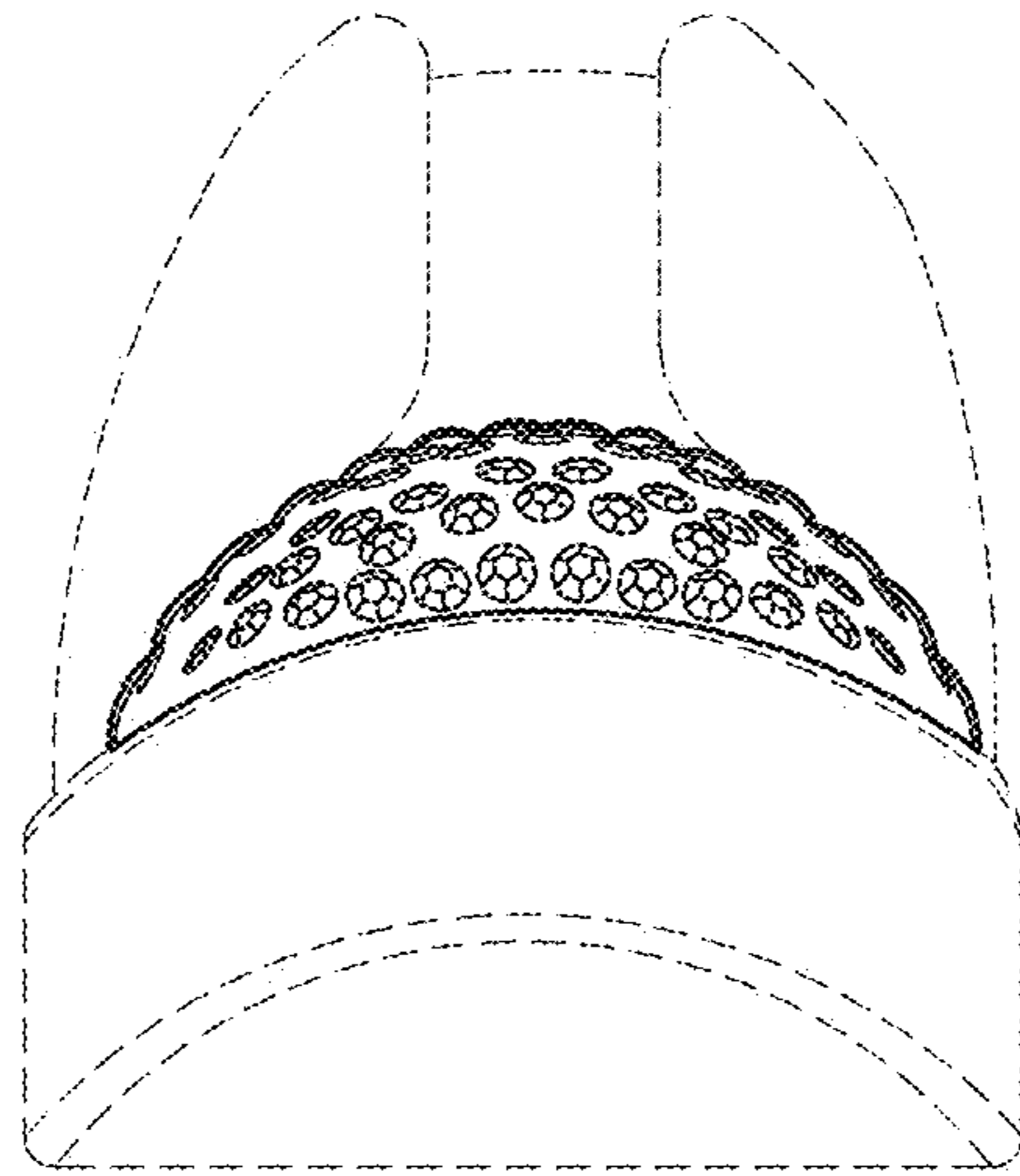


FIG. 20

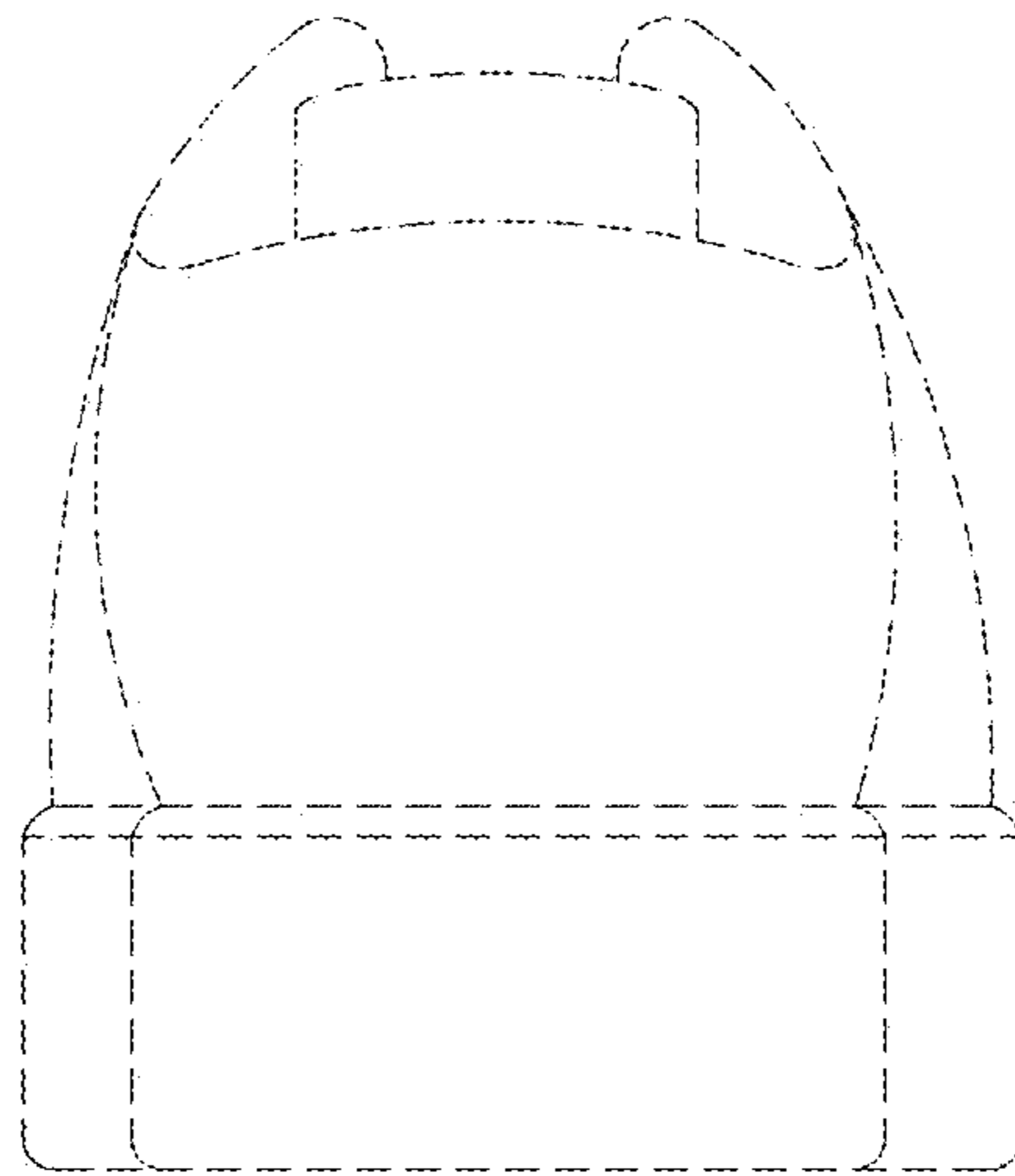


FIG. 21