



US00D767265S

(12) **United States Design Patent** (10) **Patent No.:** **US D767,265 S**
Brown (45) **Date of Patent:** **** Sep. 27, 2016**

- (54) **MULTICOMPONENT SHOCK MITIGATION OUTSOLE**
- (71) Applicant: **B&B Technologies LP**, San Diego, CA (US)
- (72) Inventor: **Jeffrey W. Brown**, San Diego, CA (US)
- (73) Assignee: **B&B Technologies LP**, San Diego, CA (US)
- (**) Term: **14 Years**
- (21) Appl. No.: **29/506,164**
- (22) Filed: **Oct. 14, 2014**
- (51) **LOC (10) Cl.** **02-04**
- (52) **U.S. Cl.**
USPC **D2/957**; D2/951; D2/953; D2/960
- (58) **Field of Classification Search**
USPC D2/902, 906, 908, 916, 918, 925, D2/946-962, 977; 36/3 B, 22 R, 24.5, 25 R, 36/28, 32 R, 34 R, 59 C, 67 A, 103
CPC A43B 13/00; A43B 13/02; A43B 13/023; A43B 13/026; A43B 13/04; A43B 13/08; A43B 13/10; A43B 13/12; A43B 13/14; A43B 13/141; A43B 13/143; A43B 13/16; A43B 13/18; A43B 13/181; A43B 13/187; A43B 13/189; A43B 13/20; A43B 13/22; A43B 13/223; A43B 13/24; A43B 13/28; A43B 13/30; A43B 13/32; A43B 13/34; A43B 13/36

See application file for complete search history.

(56) **References Cited**

U.S. PATENT DOCUMENTS

D468,082 S *	1/2003	Brown	D2/955
D481,527 S *	11/2003	Matis	D2/954
D511,610 S *	11/2005	Della Valle	D2/908
D571,543 S *	6/2008	Sungadi	D2/953
D571,987 S *	7/2008	Della Valle	D2/954
D596,387 S *	7/2009	Brown	D2/951
7,836,611 B2 *	11/2010	Sellers	A43B 5/0419 36/103

D671,305 S *	11/2012	Escobar	D2/947
D686,404 S *	7/2013	McCourt	D2/951
D707,933 S *	7/2014	McCourt	D2/951
D712,124 S *	9/2014	Truelsen	D2/951
D724,295 S *	3/2015	Dodge	D2/951
8,991,076 B2 *	3/2015	Kasprzak	36/127
9,021,722 B2 *	5/2015	Kasprzak	A43B 5/001 36/127
D740,007 S *	10/2015	Lan	D2/951
D744,212 S *	12/2015	Boudreau	D2/951
2001/0032400 A1 *	10/2001	Brooks	A43B 13/12 36/102
2004/0107602 A1 *	6/2004	Brown	A43B 1/0018 36/28
2007/0283595 A1 *	12/2007	Bright	A43B 3/0052 36/25 R
2011/0252669 A1 *	10/2011	Kasprzak	A43B 5/001 36/127
2013/0019505 A1 *	1/2013	Borel	A43B 13/127 36/103
2013/0232823 A1 *	9/2013	Kasprzak	A43B 13/223 36/103
2014/0325876 A1 *	11/2014	Dodge	A43B 13/141 36/103
2015/0013191 A1 *	1/2015	Brown	A43B 21/00 36/102
2015/0068063 A1 *	3/2015	Farris	A43B 7/146 36/103
2015/0128455 A1 *	5/2015	Lubart	A43B 13/223 36/25 R
2015/0173450 A1 *	6/2015	Kasprzak	A43B 5/001 36/25 R
2015/0201700 A1 *	7/2015	Jang	A43B 7/105 36/3 B
2016/0007676 A1 *	1/2016	Leimer	A43B 5/002 36/103

* cited by examiner

Primary Examiner — T. Chase Nelson

(74) *Attorney, Agent, or Firm* — Davis & Bujold PLLC; Michael J. Bujold

(57) **CLAIM**

The ornamental design for a multicomponent shock mitigation outsole, as shown and described.

DESCRIPTION

FIG. 1 is perspective view of a multicomponent shock mitigation outsole, showing my new design from the top, rear and right side;

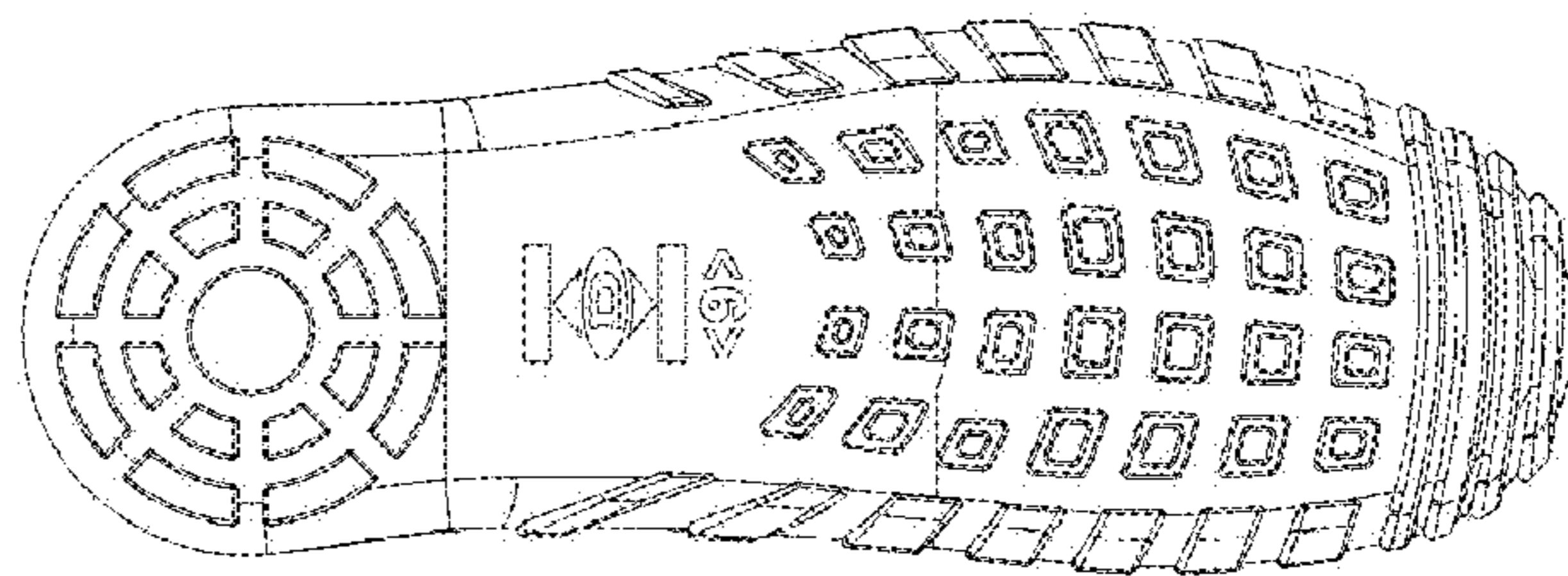
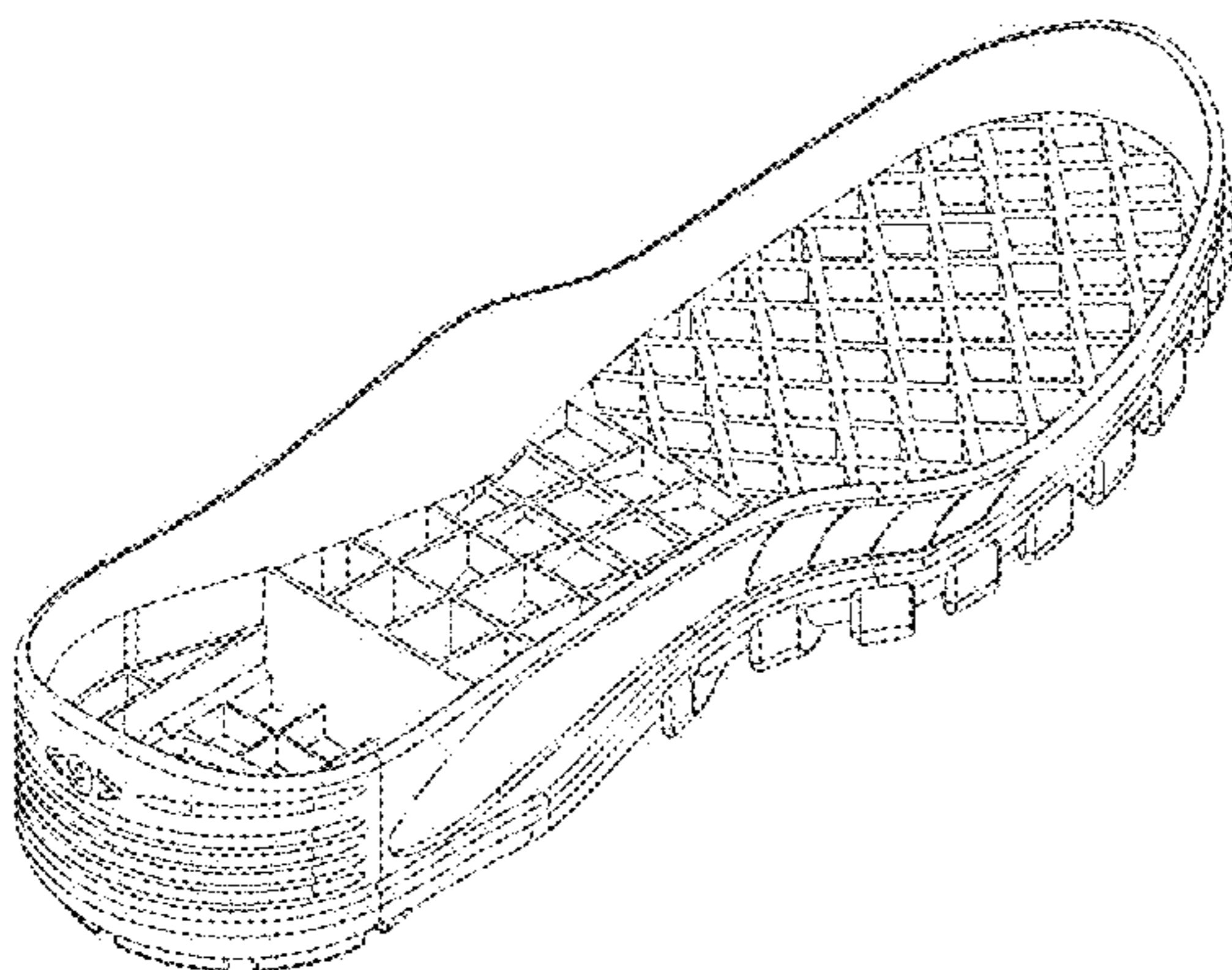


FIG. 2 is a top plan view thereof;
FIG. 3 is a bottom plan view thereof;
FIG. 4 is a rear elevational view thereof;
FIG. 5 is a right side view thereof;
FIG. 6 is a left side view thereof; and
FIG. 7 is a perspective like FIG. 1, partially cut away to reveal surface contours.
FIG. 8 is another cut away perspective view, showing a spring cartridge, comprising a housing and a spring assembly, installed in the outsole;
FIG. 9 is a perspective view of the cartridge housing of the multicomponent shock mitigation outsole from the rear, right, and top in an open configuration;
FIG. 10 is a rear elevational view thereof;
FIG. 11 is a left side view thereof;
FIG. 12 is a right side view thereof;
FIG. 13 is a top plan view thereof;
FIG. 14 is a bottom plan view thereof;
FIG. 15 is a perspective view of the cartridge housing of the multicomponent shock mitigation outsole from the rear, right, and top in a closed configuration;
FIG. 16 is a rear elevational view thereof;

FIG. 17 is a left side view thereof;
FIG. 18 is a right side view thereof;
FIG. 19 is a top plan view thereof;
FIG. 20 is a bottom plan view thereof;
FIG. 21 is a perspective view of the spring assembly of the multicomponent shock mitigation outsole from the rear, right, and top in an open configuration;
FIG. 22 is a rear elevational view thereof;
FIG. 23 is a left side view thereof;
FIG. 24 is a right side view thereof;
FIG. 25 is a top plan view thereof;
FIG. 26 is a bottom plan view thereof;
FIG. 27 is a perspective view of the spring assembly of the multicomponent shock mitigation outsole from the rear, right, and top in a closed configuration;
FIG. 28 is a rear elevational view thereof;
FIG. 29 is a left side view thereof;
FIG. 30 is a right side view thereof;
FIG. 31 is a top plan view thereof; and,
FIG. 32 is a bottom plan view thereof.

1 Claim, 12 Drawing Sheets

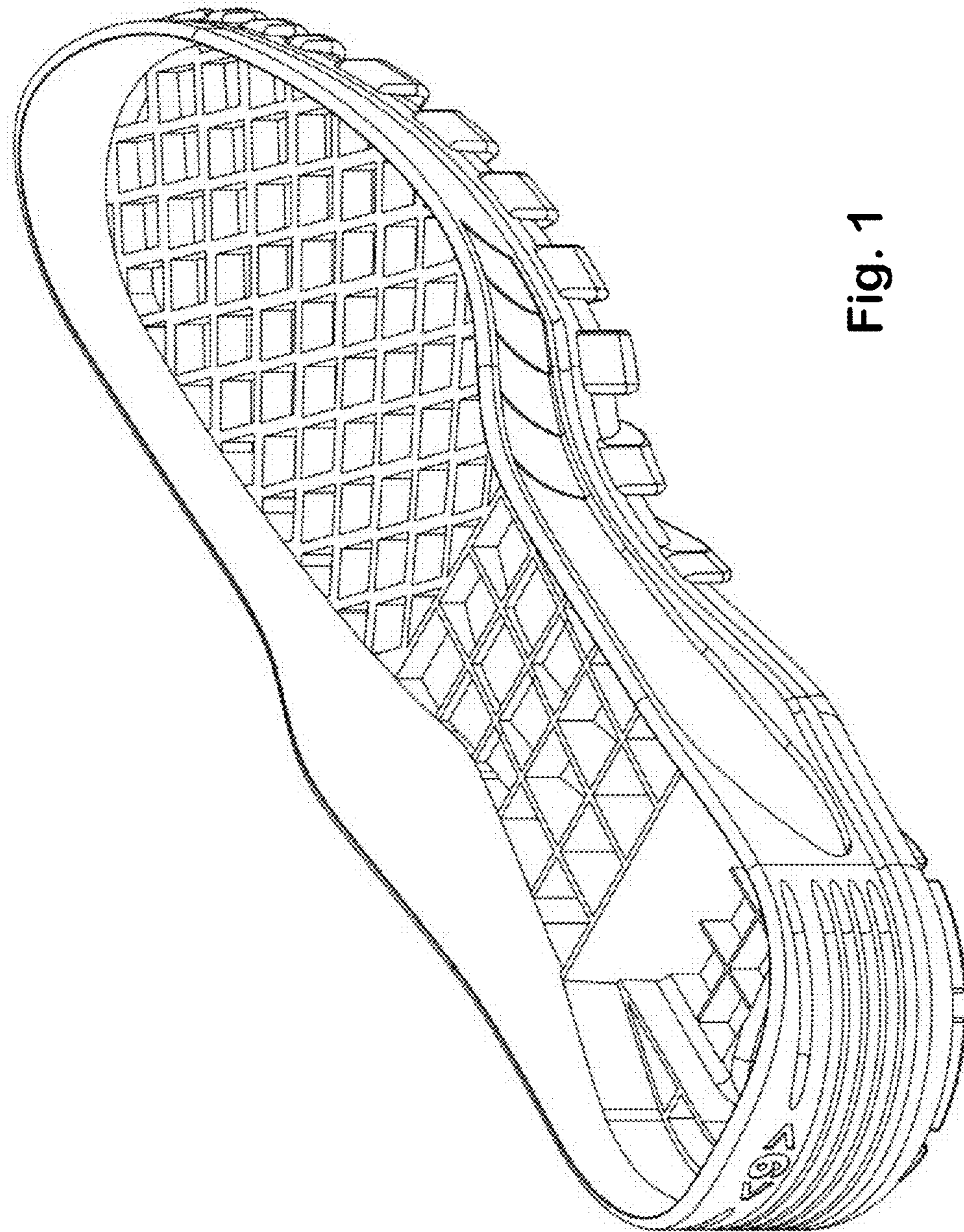


Fig. 1

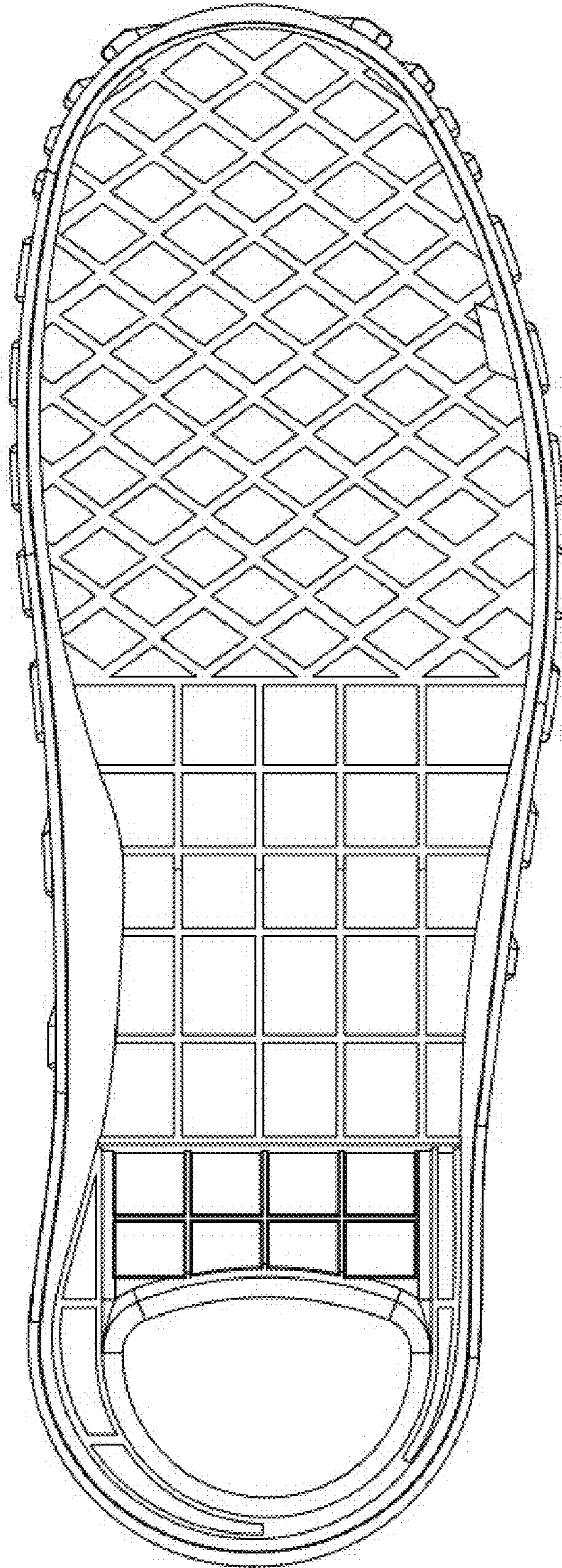


Fig. 2

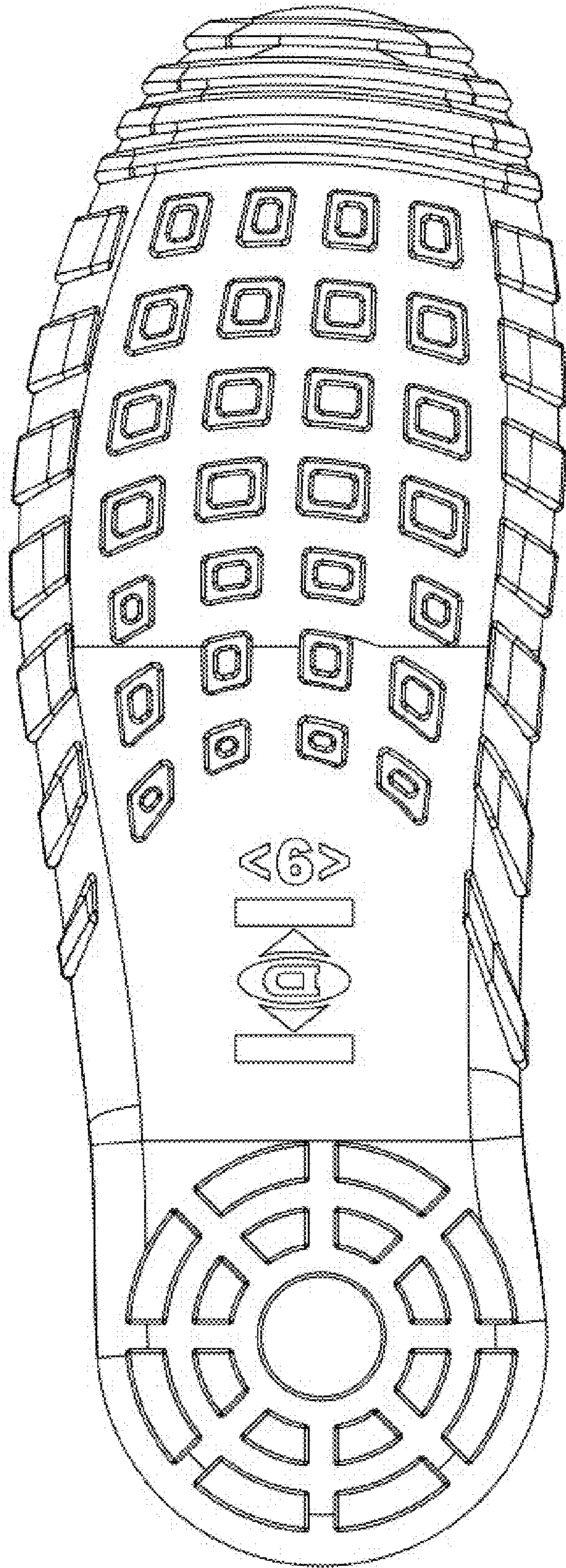


Fig. 3

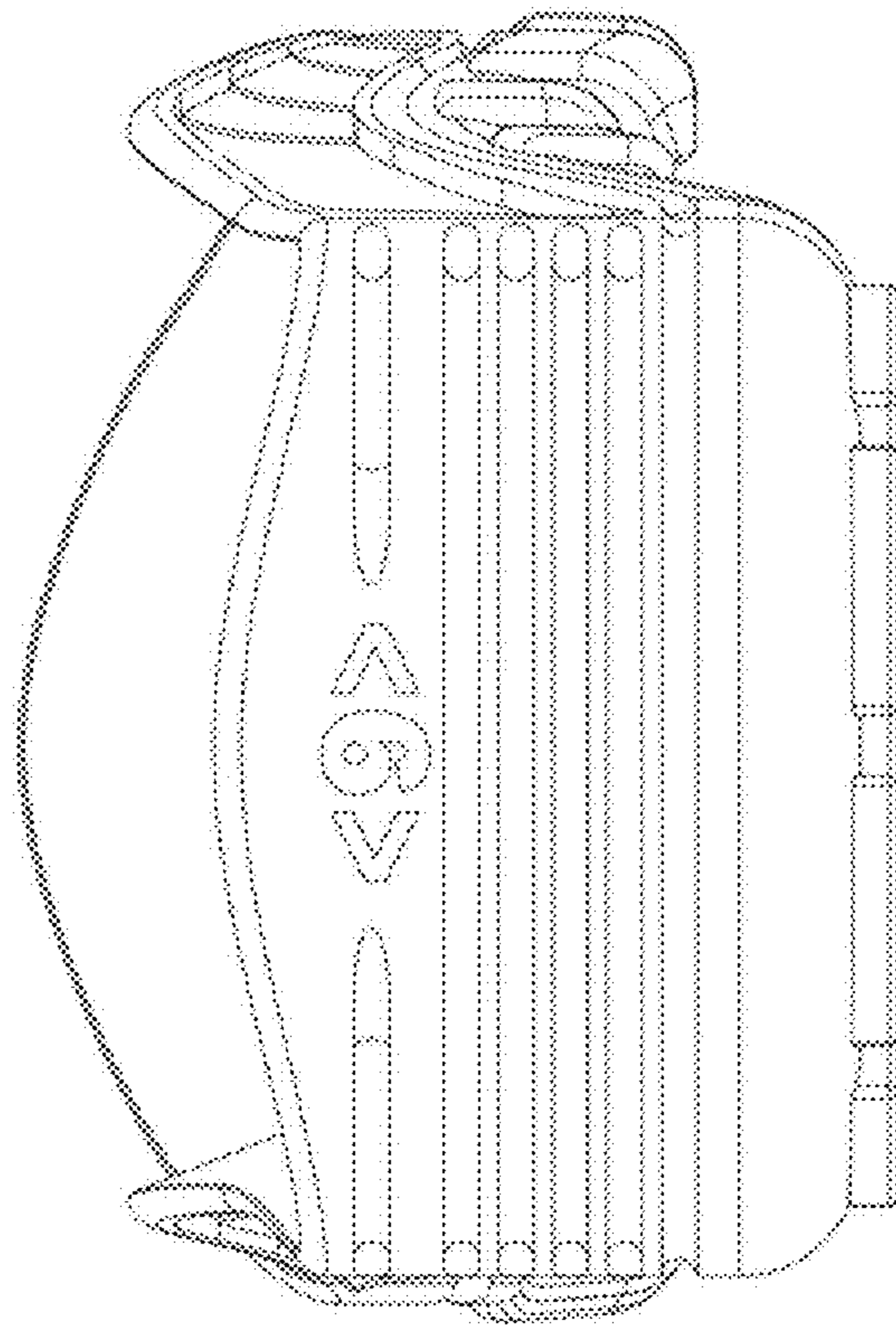


Fig. 4

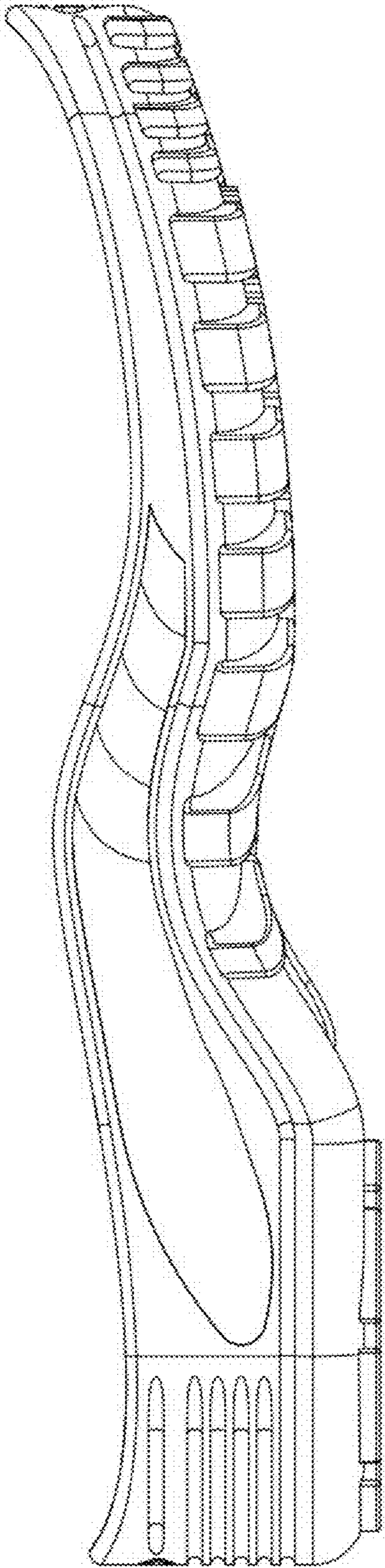


Fig. 5

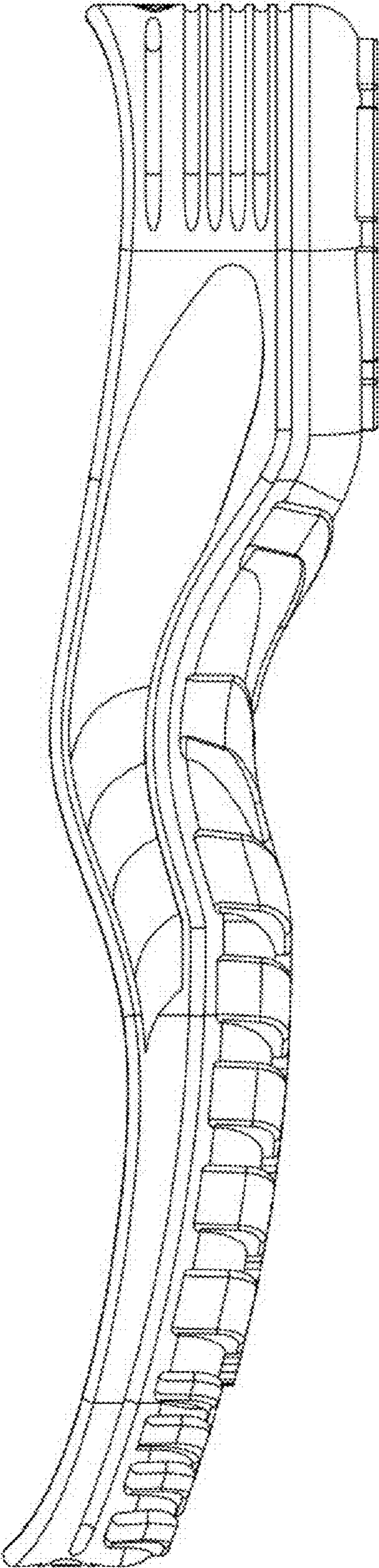


Fig. 6

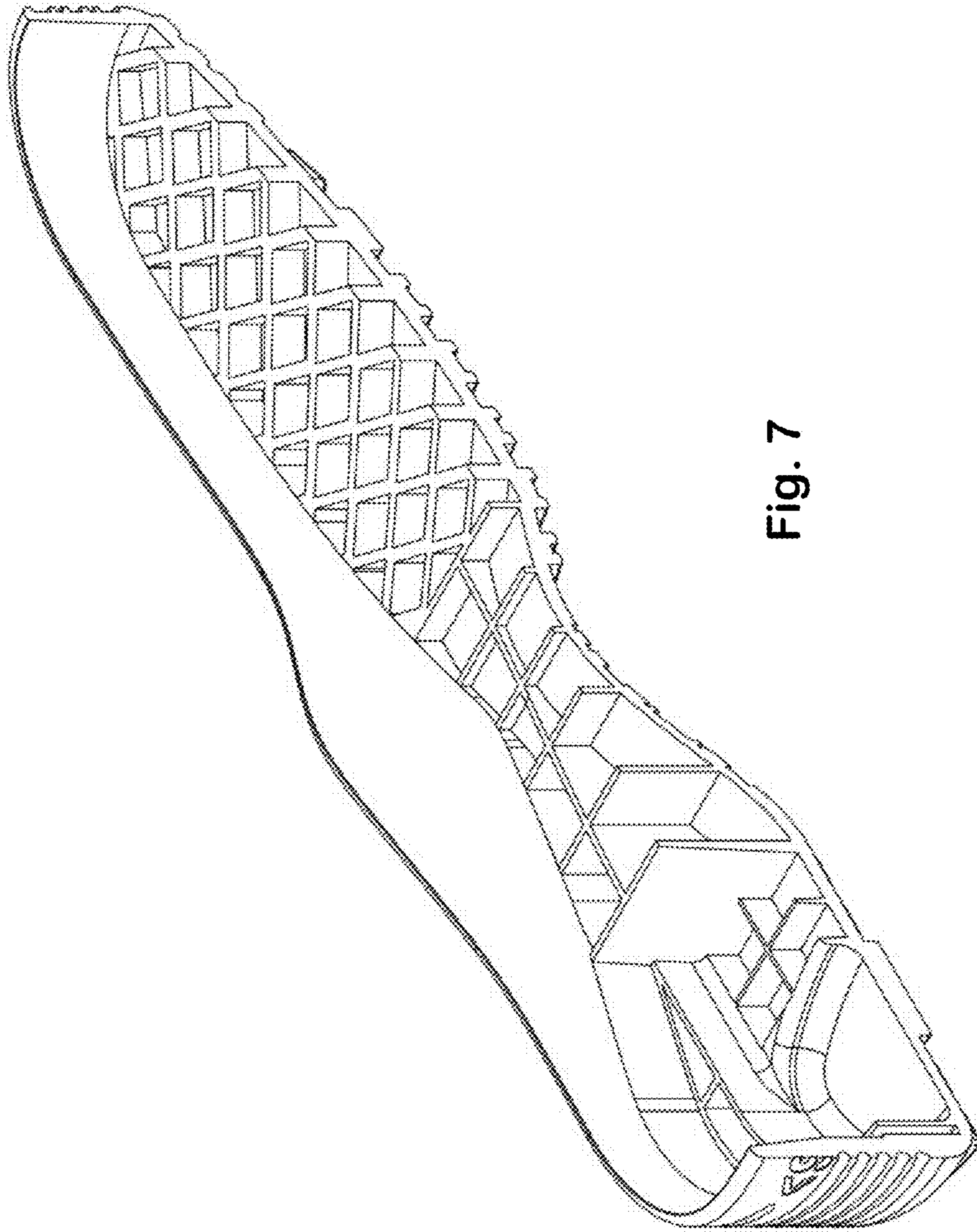


Fig. 7

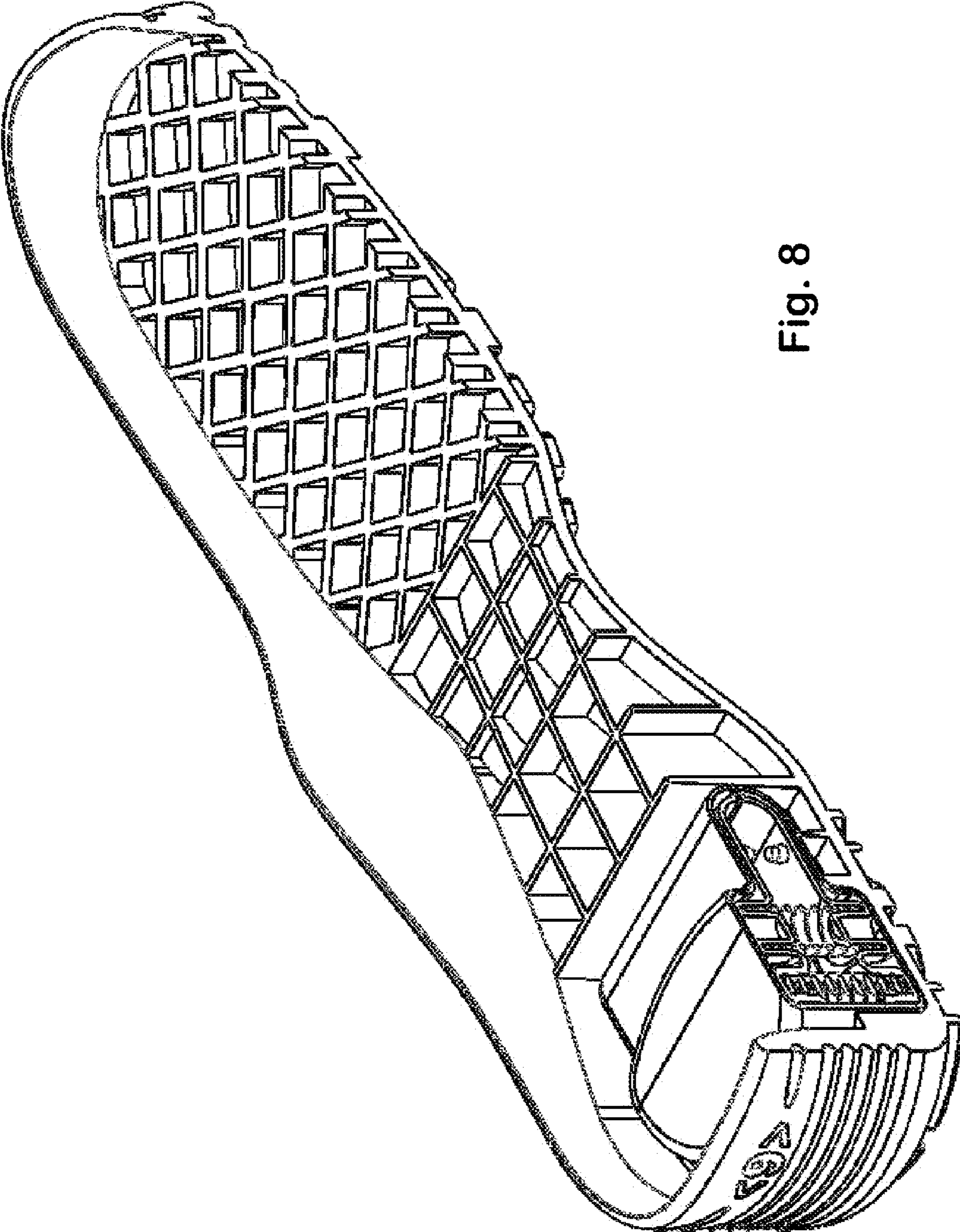


Fig. 8

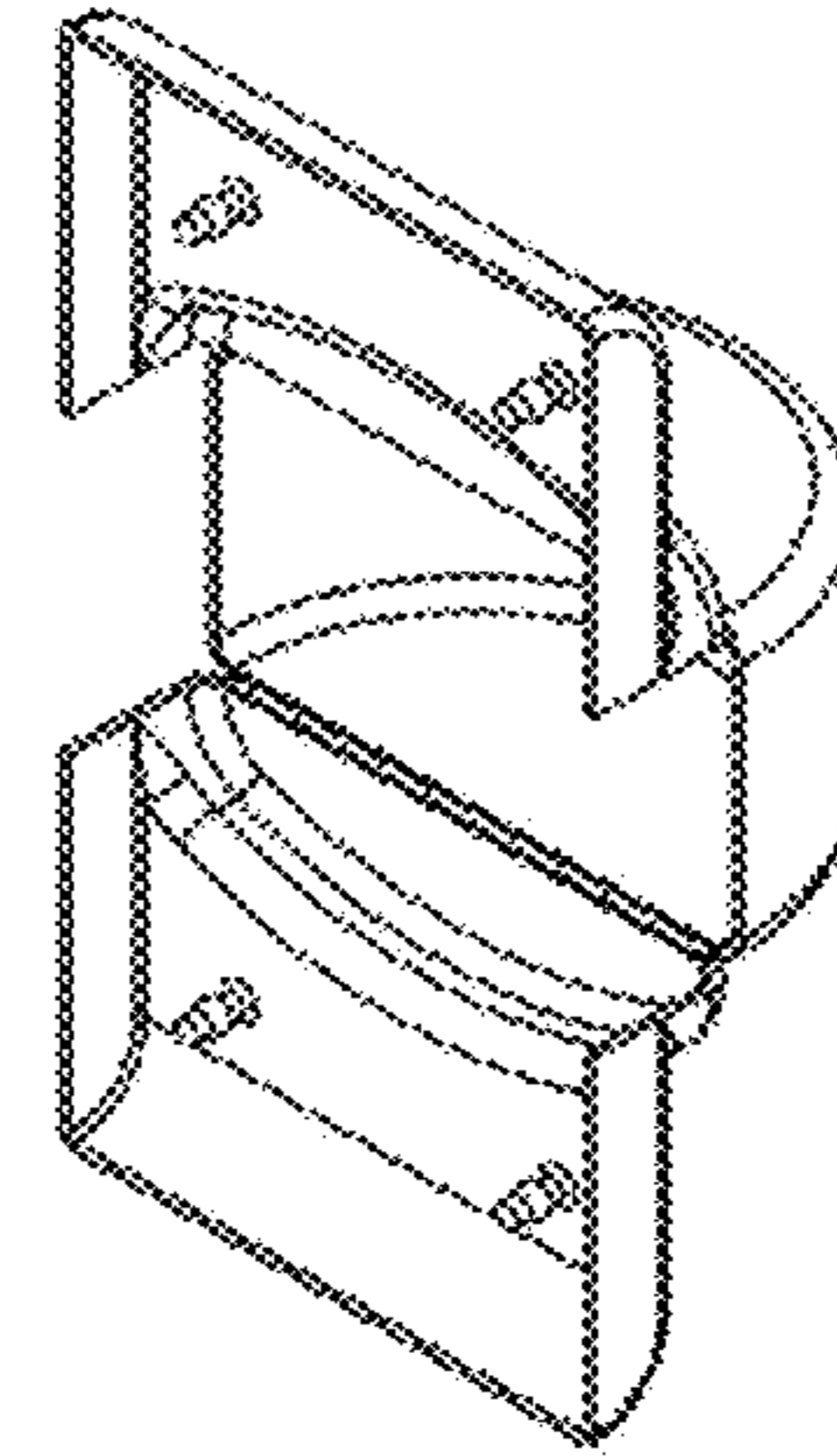


Fig. 9

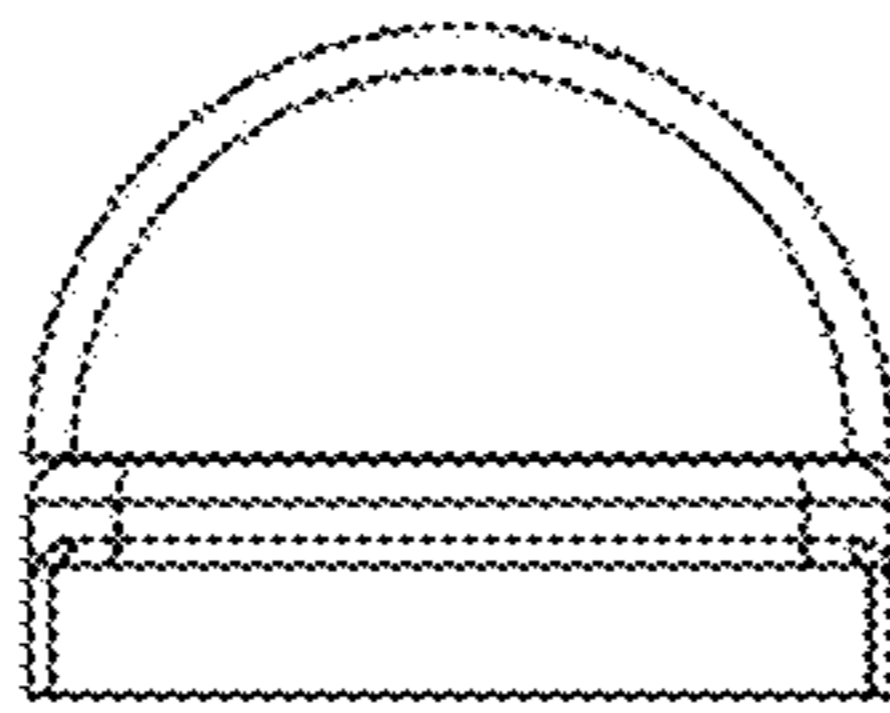


Fig. 13

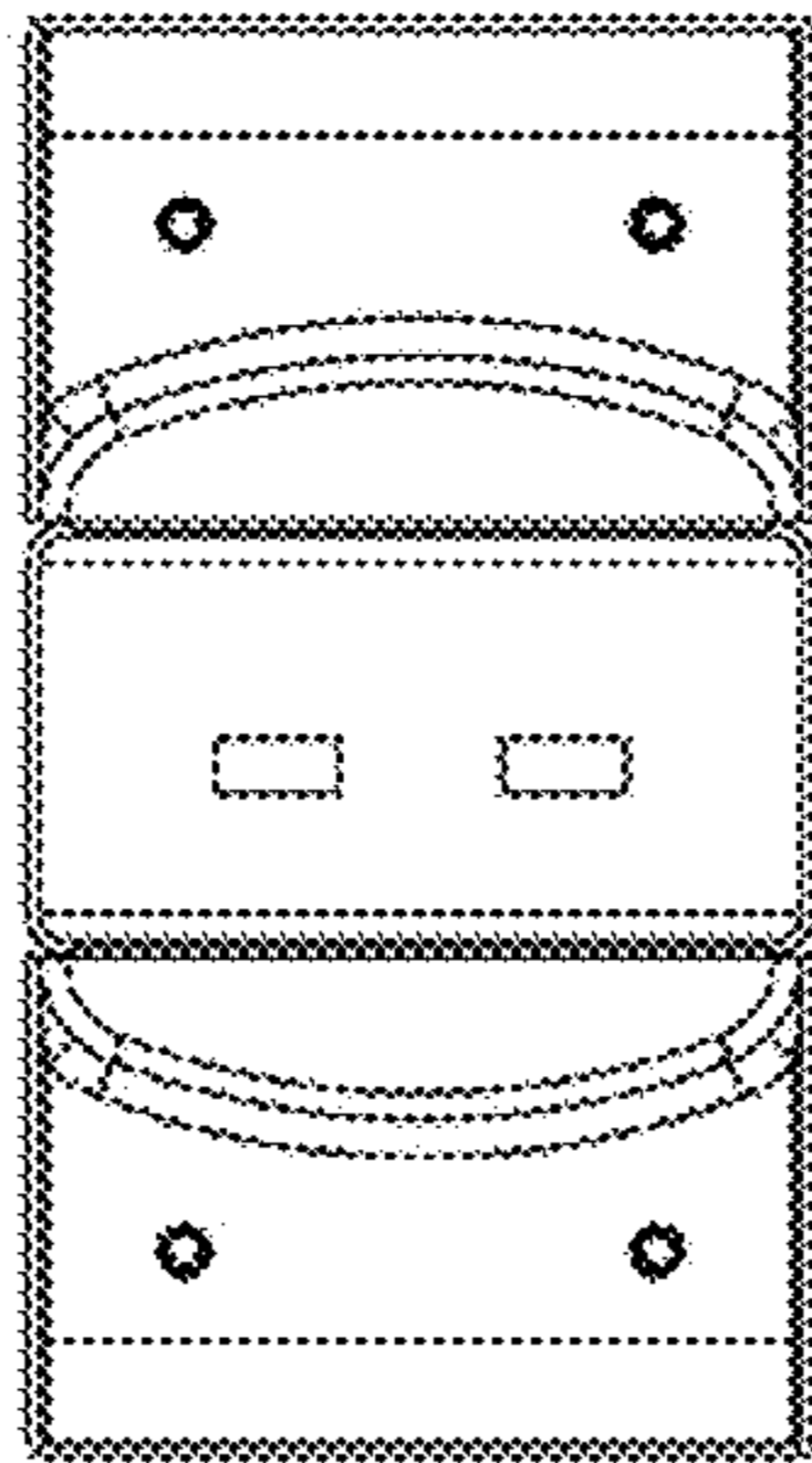


Fig. 10

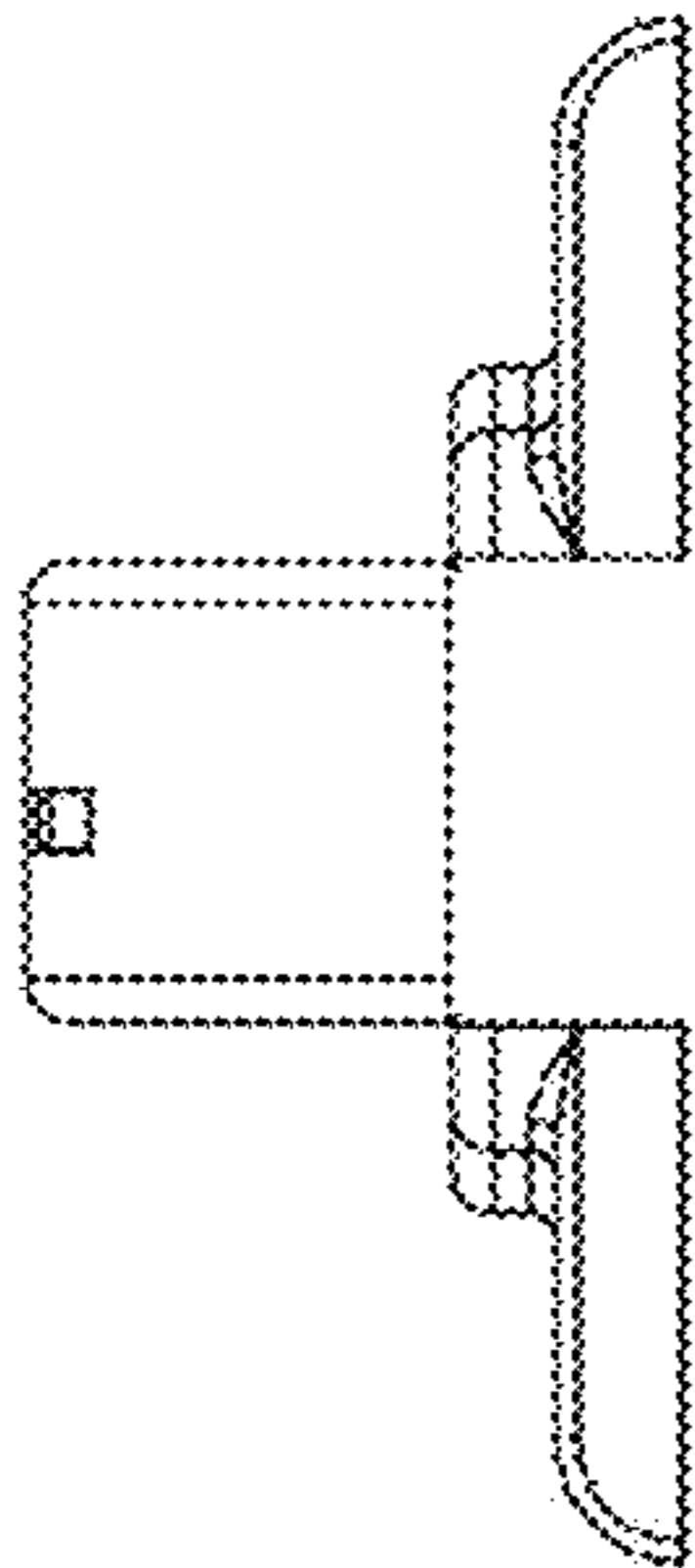


Fig. 11

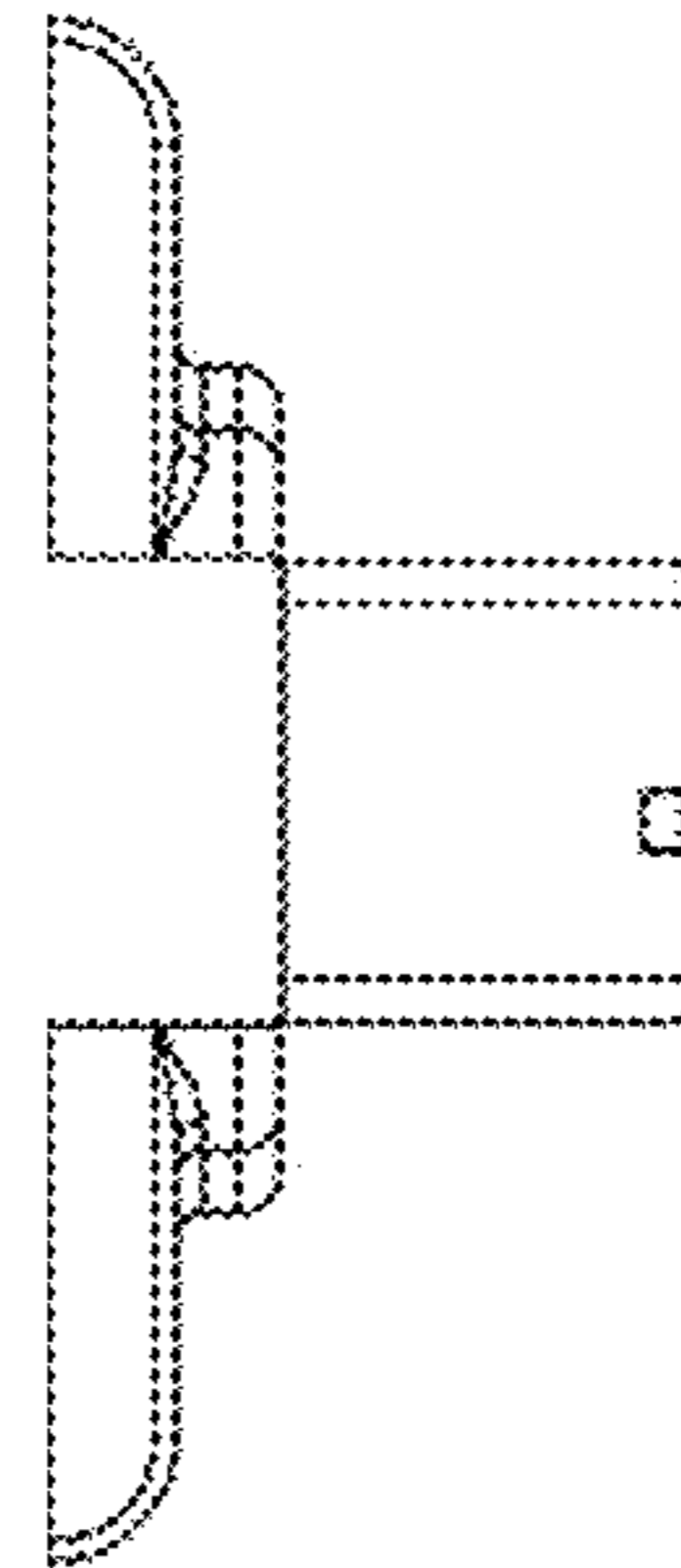


Fig. 12

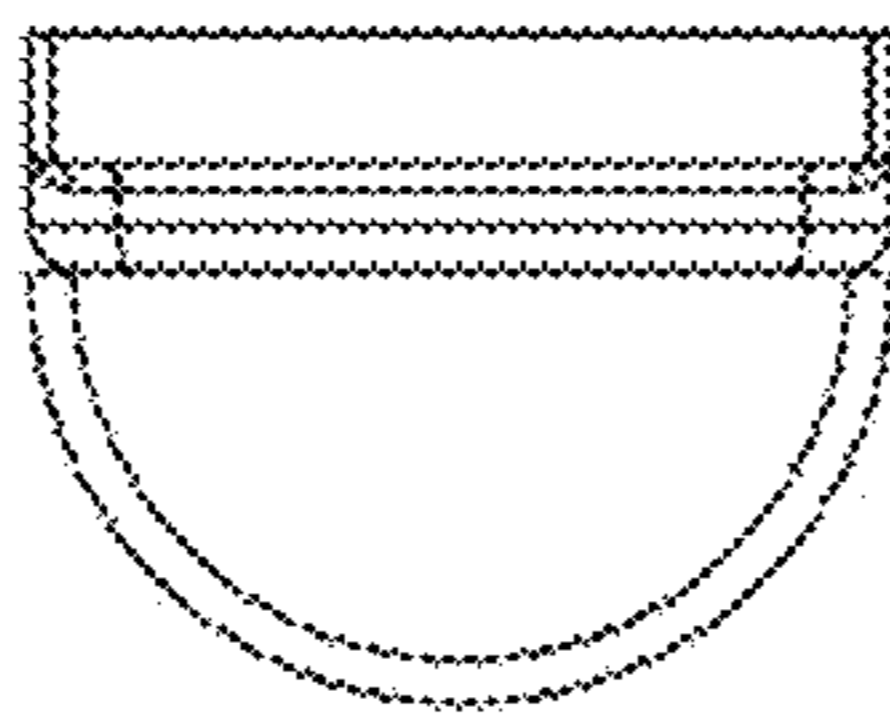


Fig. 14

Fig. 19

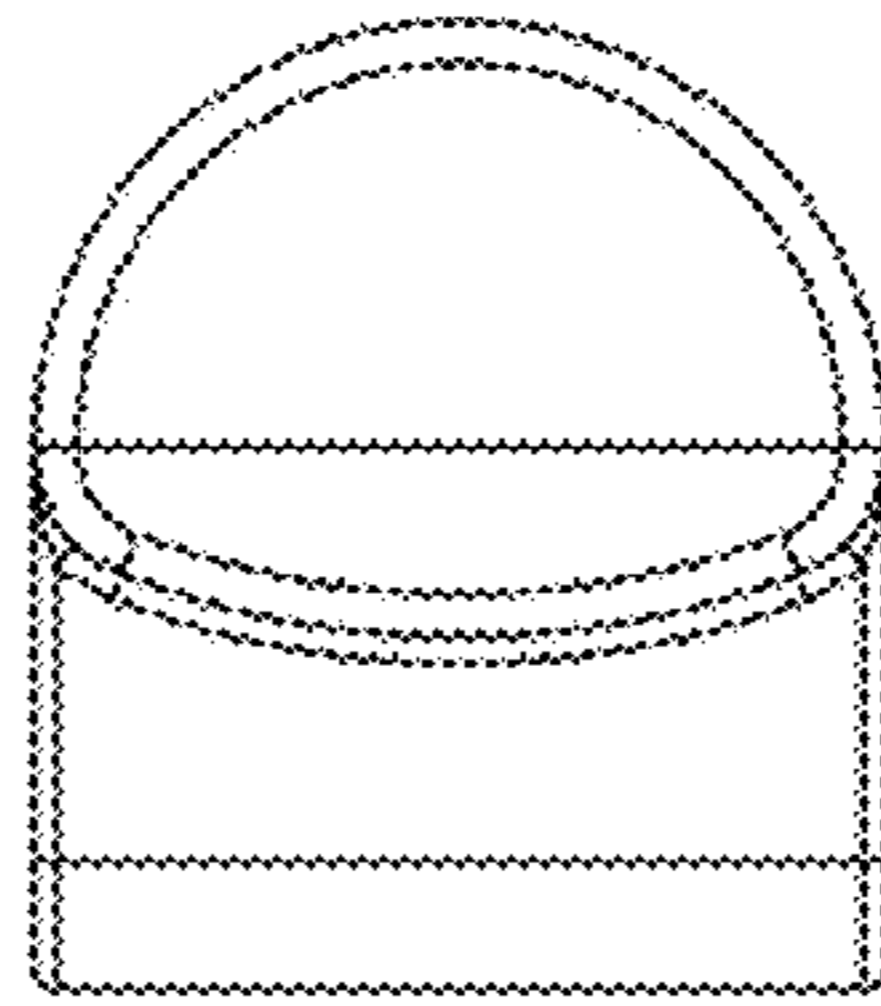


Fig. 15

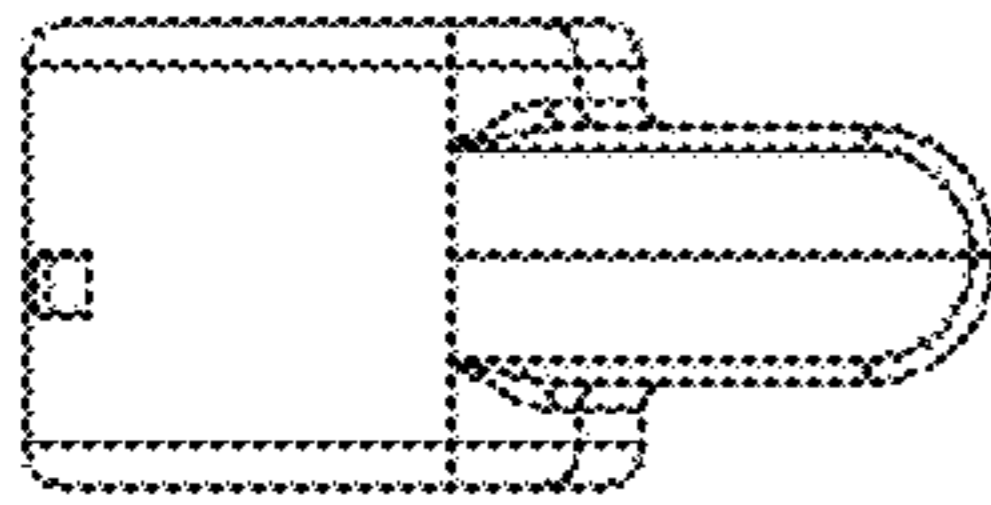
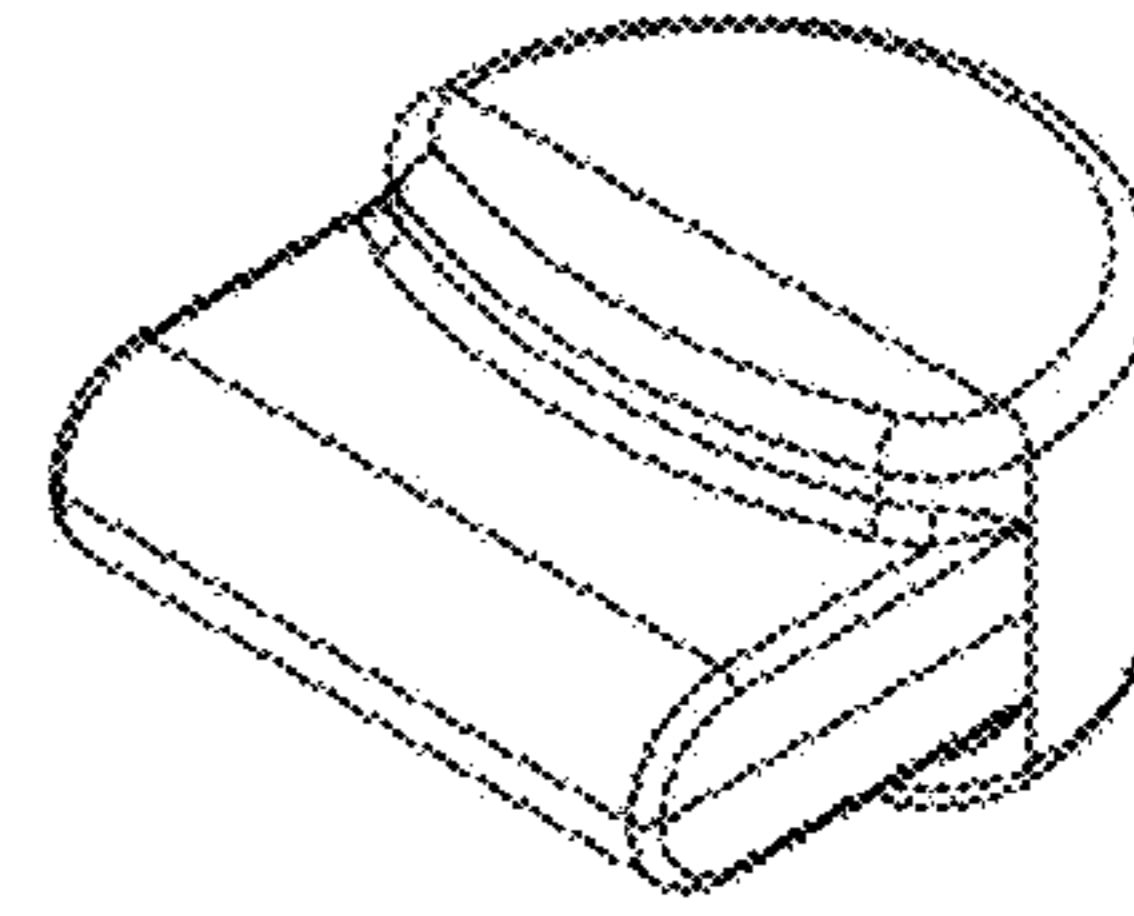


Fig. 17

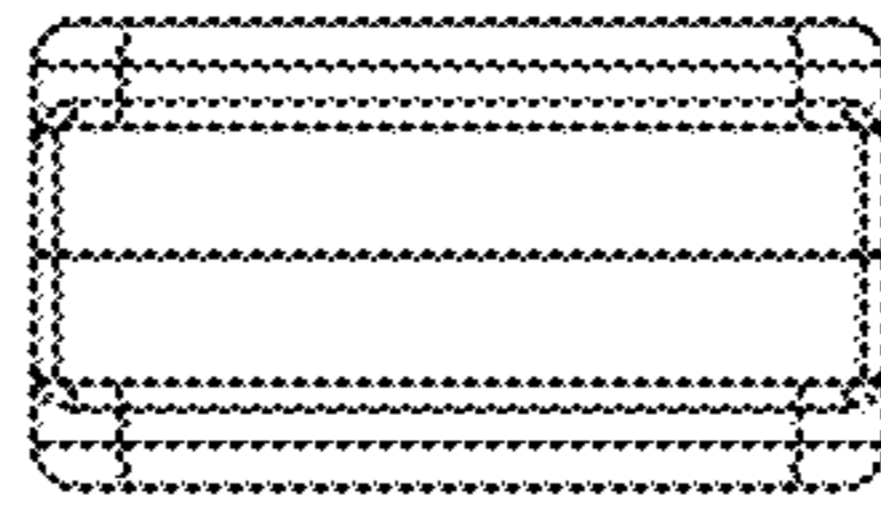


Fig. 16

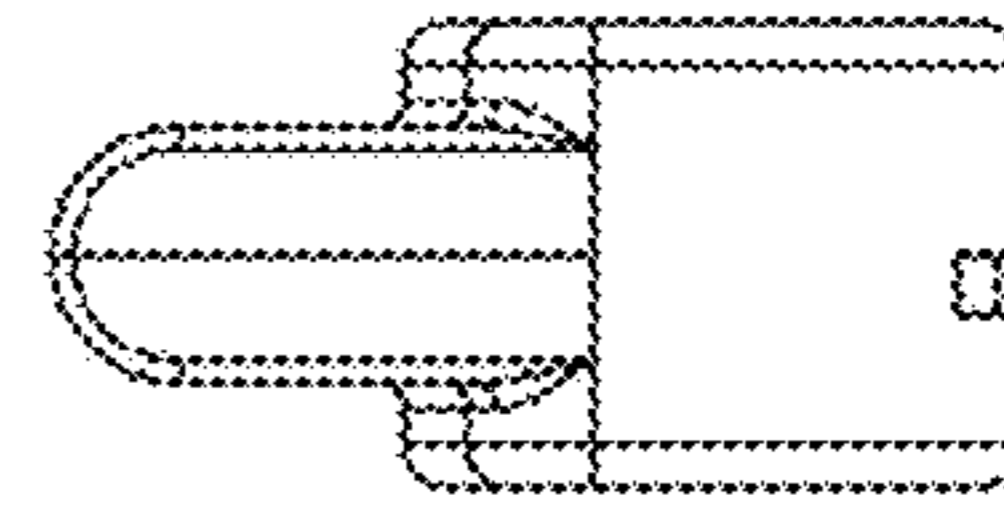


Fig. 18

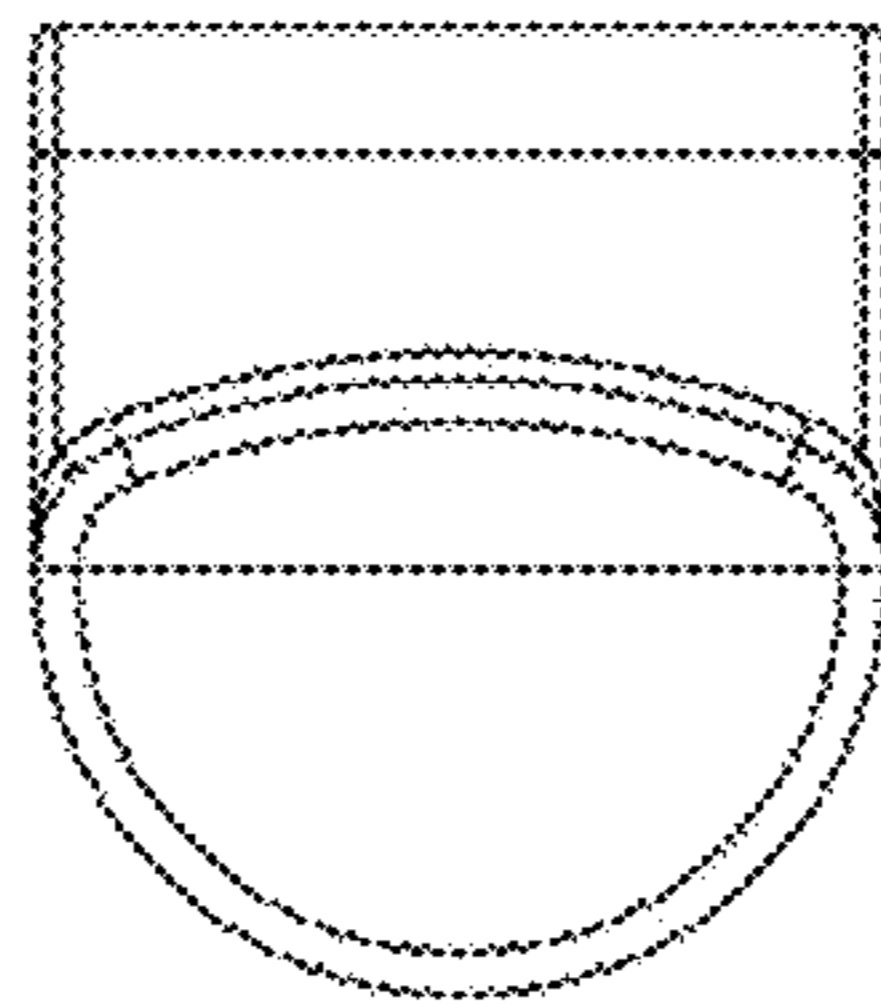


Fig. 20

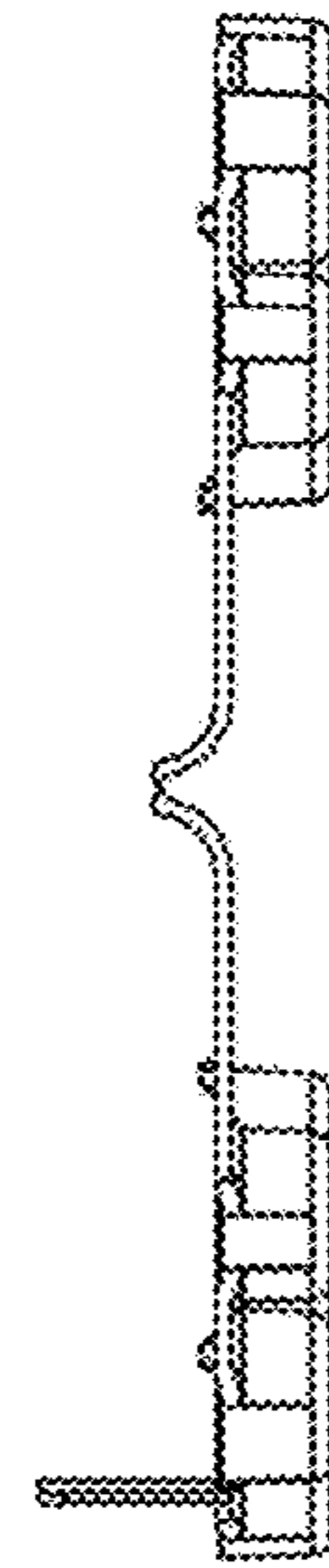
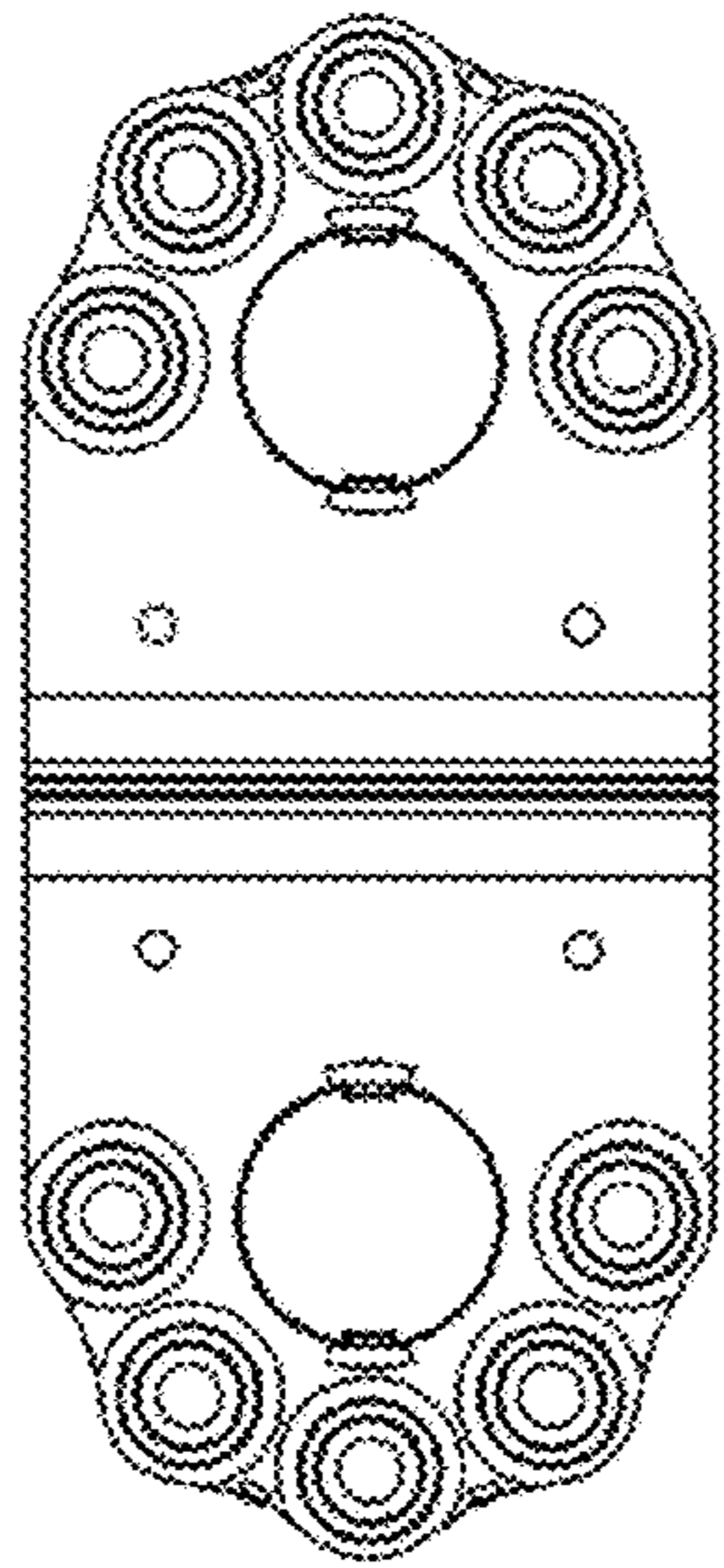
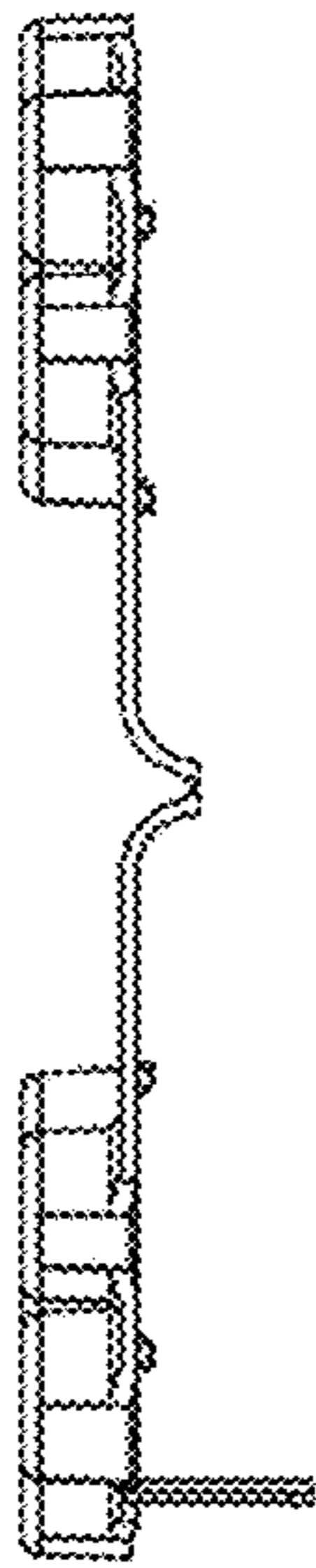
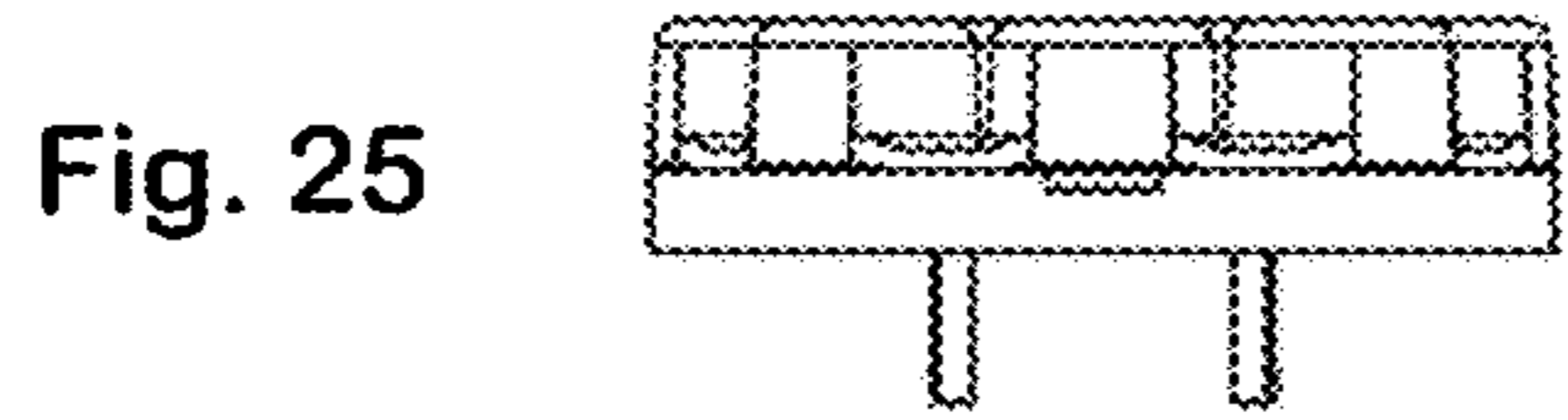
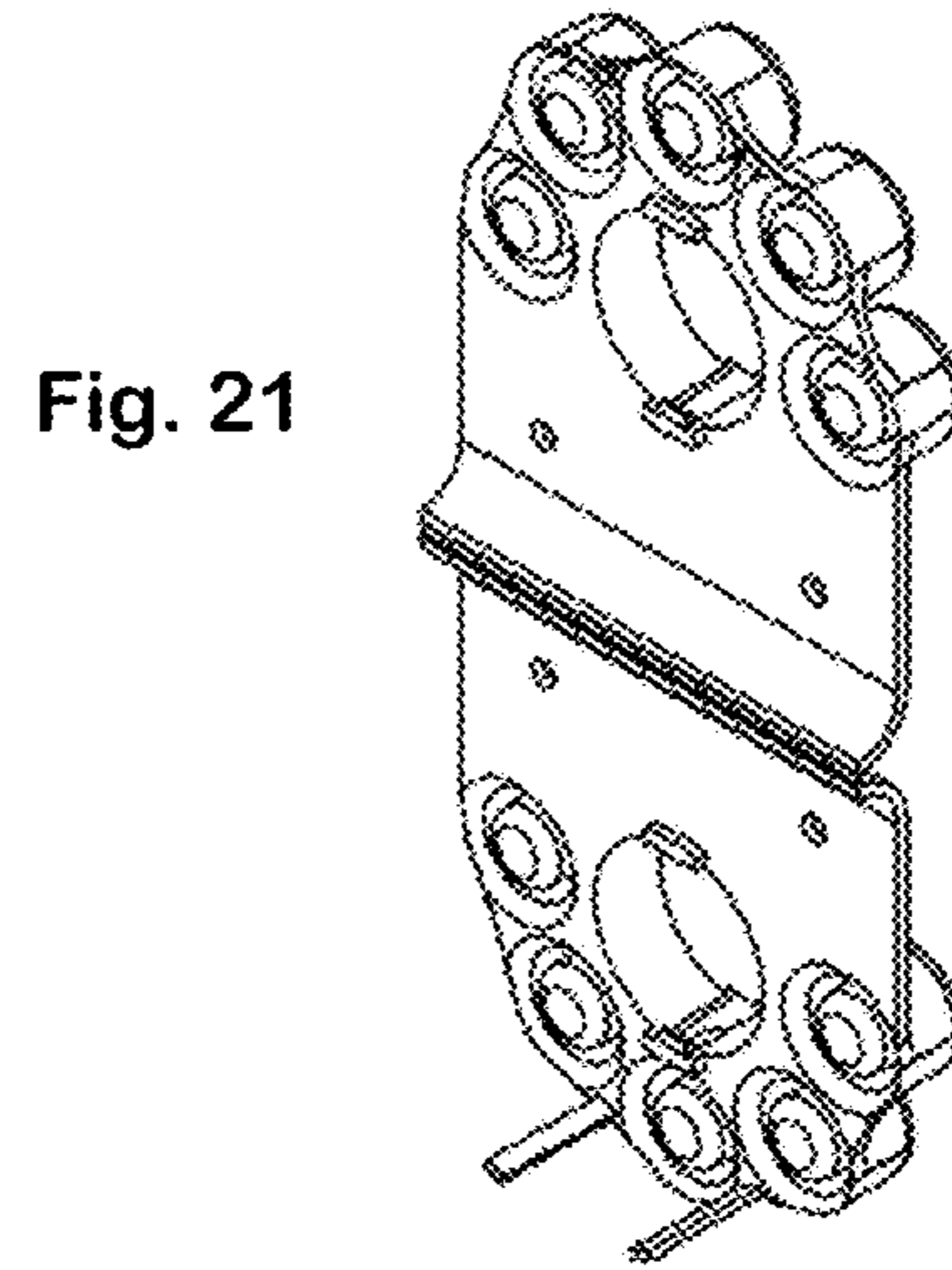


Fig. 23

Fig. 22

Fig. 24

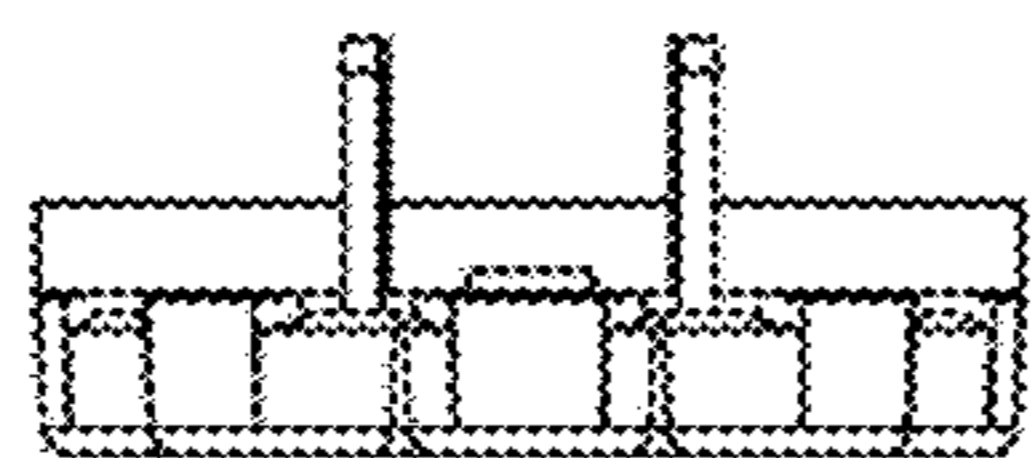


Fig. 26

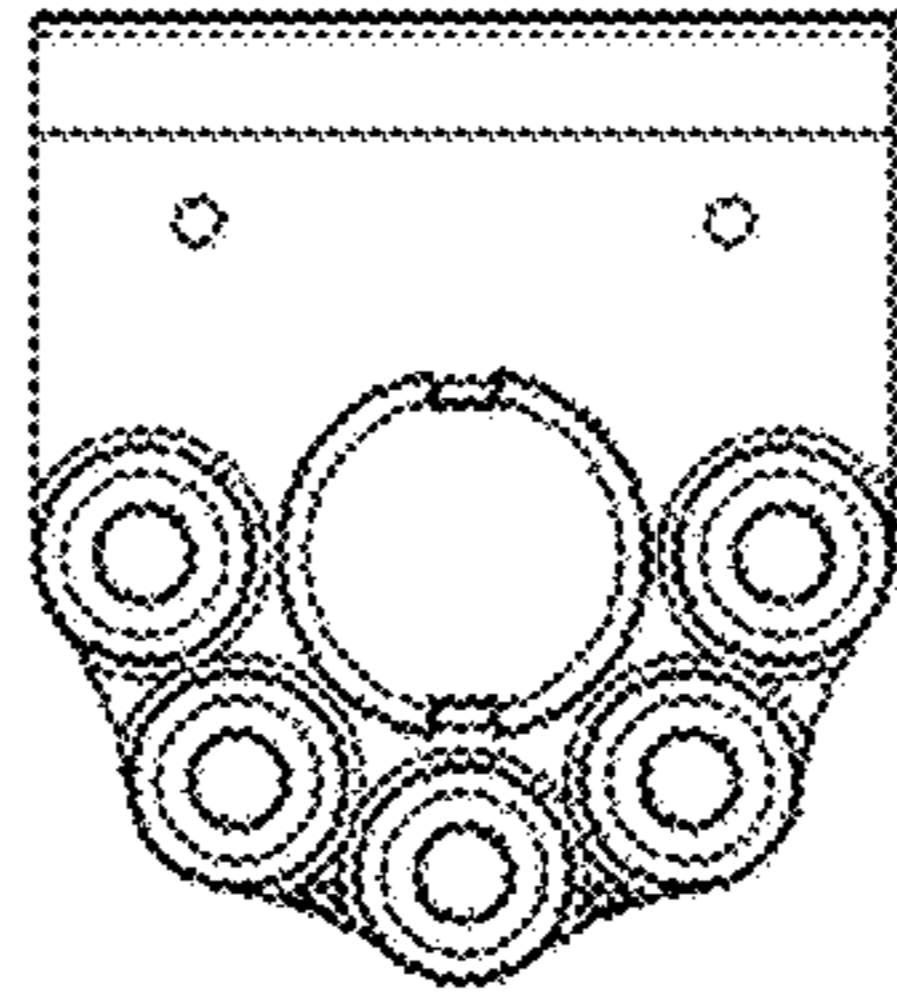


Fig. 31

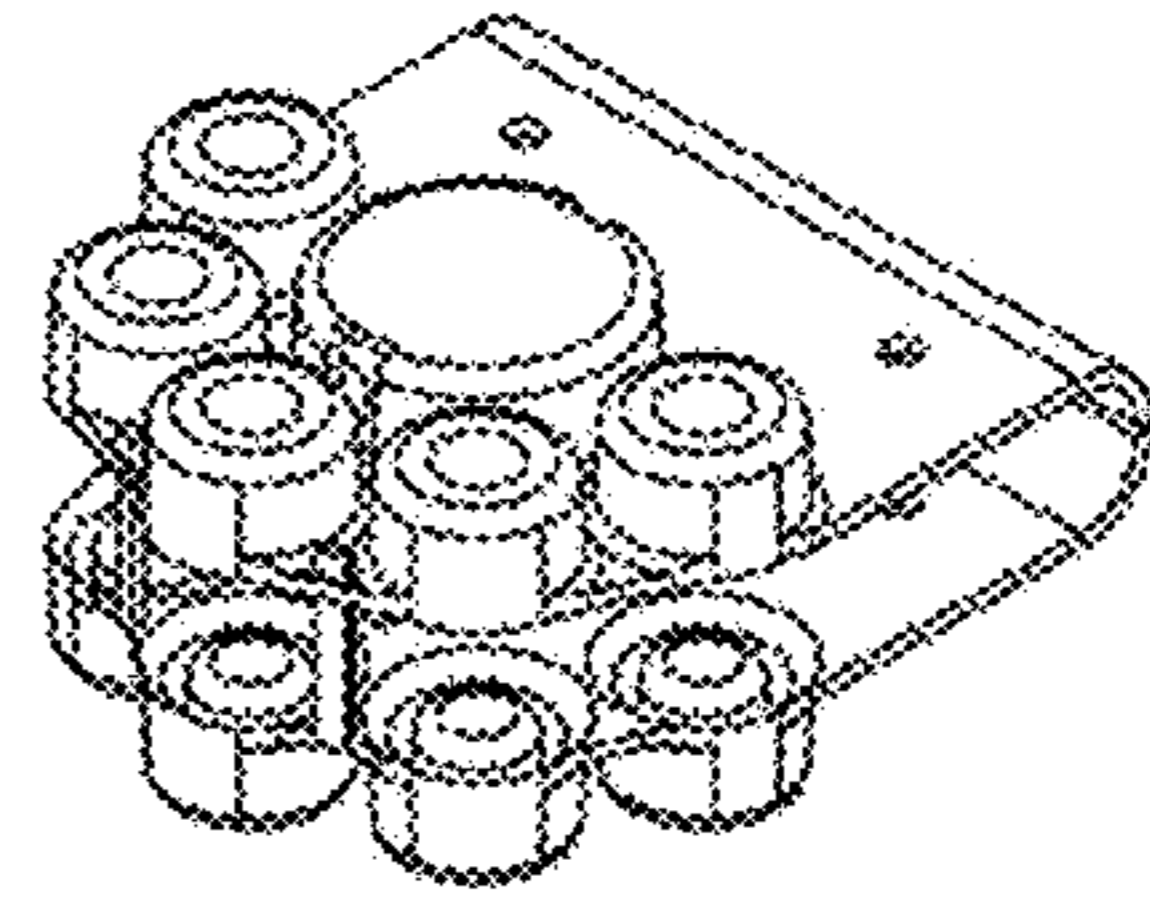


Fig. 27

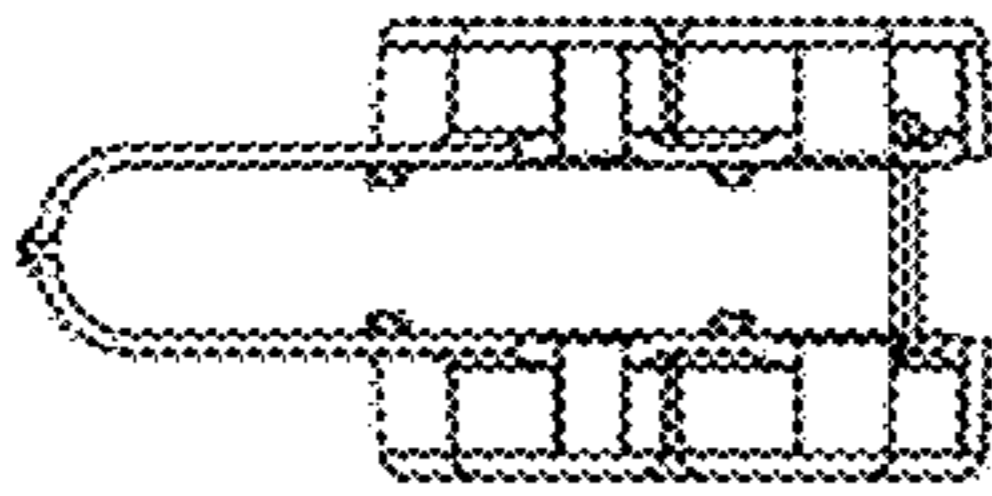


Fig. 29

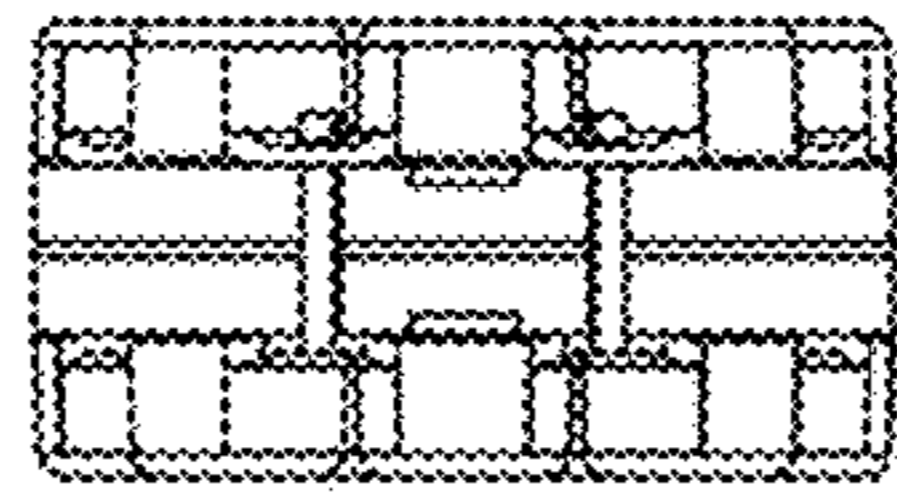


Fig. 28

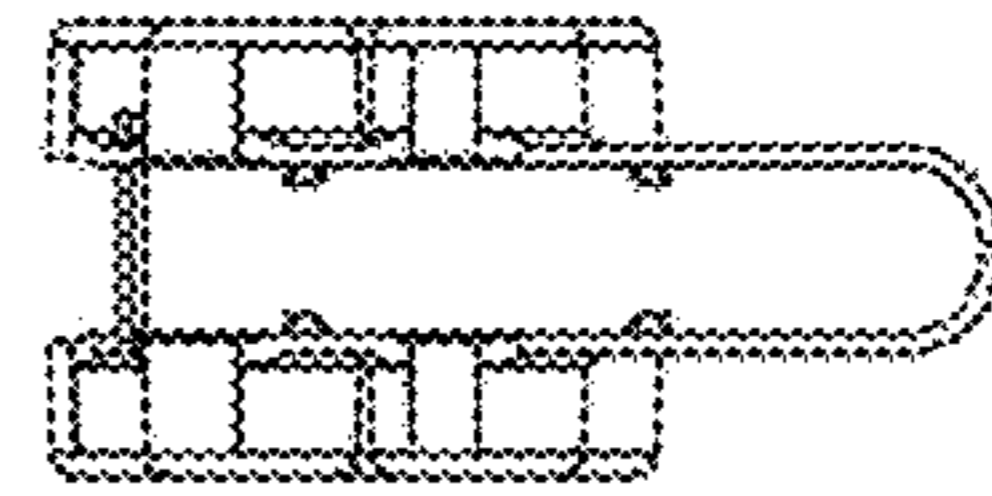


Fig. 30

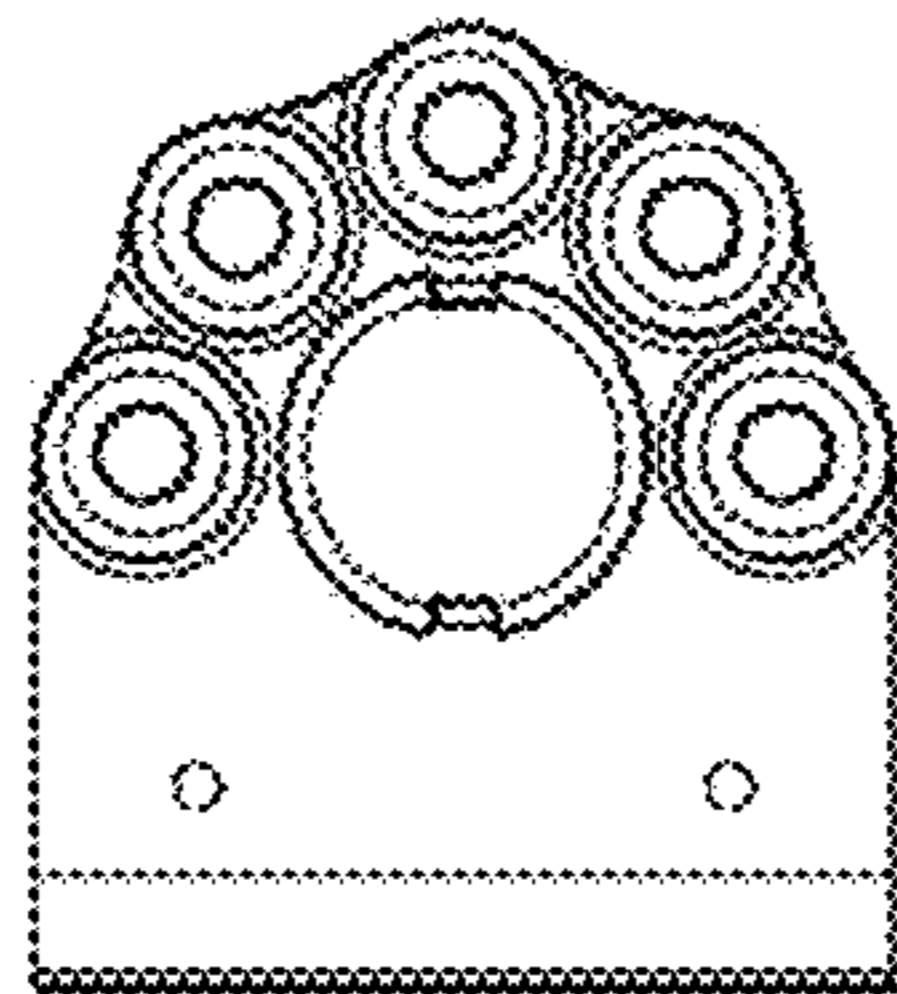


Fig. 32