

US00D767260S

(12) **United States Design Patent**
Lubart

(10) **Patent No.:** **US D767,260 S**

(45) **Date of Patent:** **** Sep. 27, 2016**

(54) **OVERSHOE**

(71) Applicant: **Shoes for Crews, LLC**, West Palm Beach, FL (US)

(72) Inventor: **Randy N Lubart**, Palm Beach Gardens, FL (US)

(73) Assignee: **Shoes For Crews, LLC**, West Palm Beach, FL (US)

(**) Term: **15 Years**

(21) Appl. No.: **29/527,887**

(22) Filed: **May 22, 2015**

(51) **LOC (10) Cl.** **02-04**

(52) **U.S. Cl.**
USPC **D2/909**; D2/914; D2/957

(58) **Field of Classification Search**
USPC D02/896, 907-909, 914, 946, 947, 951, D02/952, 953, 95, 955; 36/3 A, 7.1 R, 7.4, 36/45, 10, 77 R, 83, 88, 113, 114, 126-130
CPC A43B 1/10; A43B 5/18; A43B 1/00; A43B 5/00
See application file for complete search history.

(56) **References Cited**

U.S. PATENT DOCUMENTS

3,486,248 A *	12/1969	Iversen	A43B 1/10 36/7.3
D369,457 S *	5/1996	Weston	D2/914
D385,092 S *	10/1997	Holden	D2/909
D446,912 S *	8/2001	Cockrell	D2/909
D514,287 S *	2/2006	Cockrell	D2/947

D572,885 S *	7/2008	Jensen	D2/953
D572,886 S *	7/2008	Jensen	D2/957
D599,087 S *	9/2009	Kay	D2/909
D616,640 S *	6/2010	Werman	D2/951
D625,091 S *	10/2010	Moon	D2/951
D628,366 S *	12/2010	Ringdal	D2/909

* cited by examiner

Primary Examiner — Ian Simmons

Assistant Examiner — Rashida C Walshon

(74) *Attorney, Agent, or Firm* — McHale & Slavin, P.A.

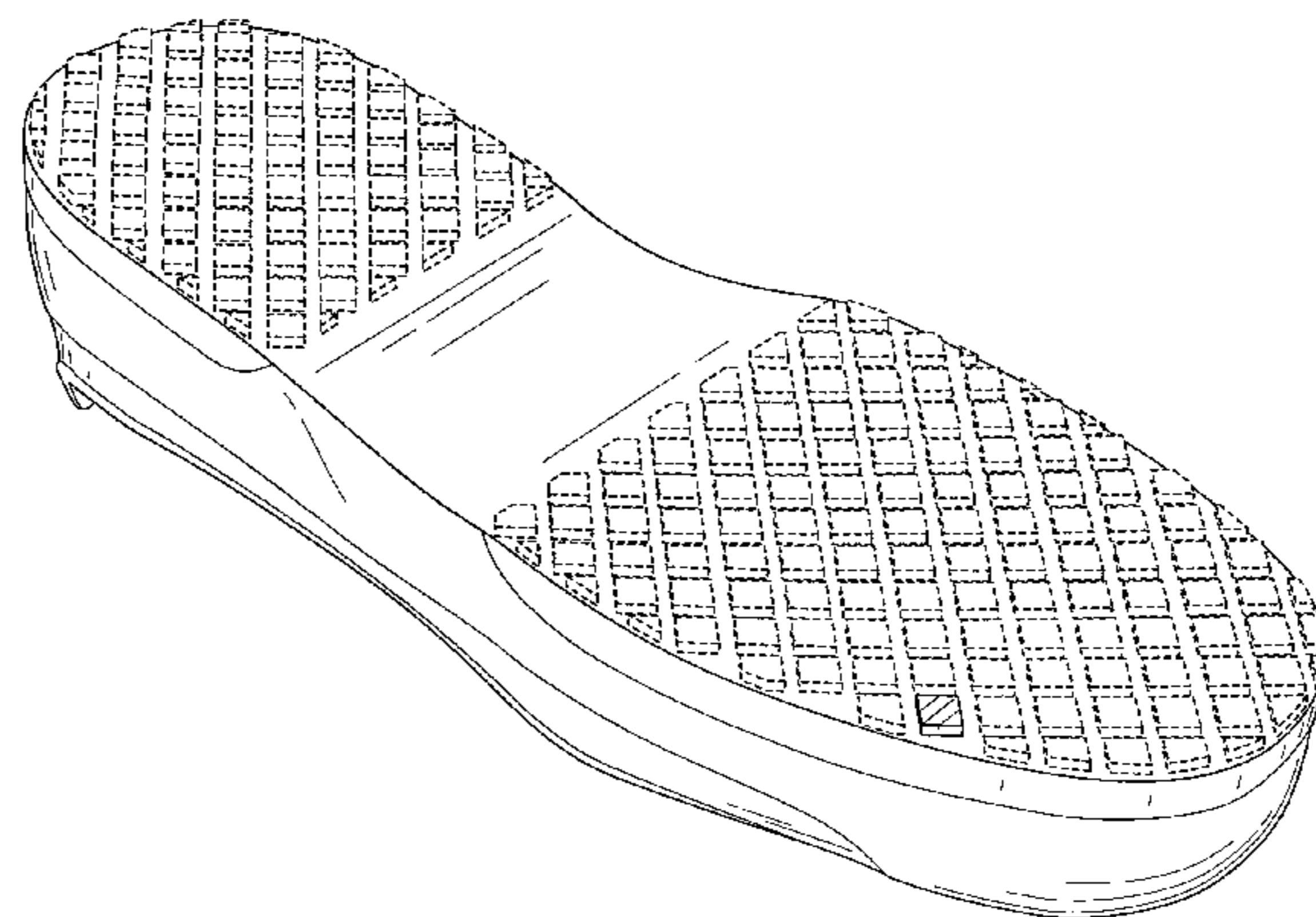
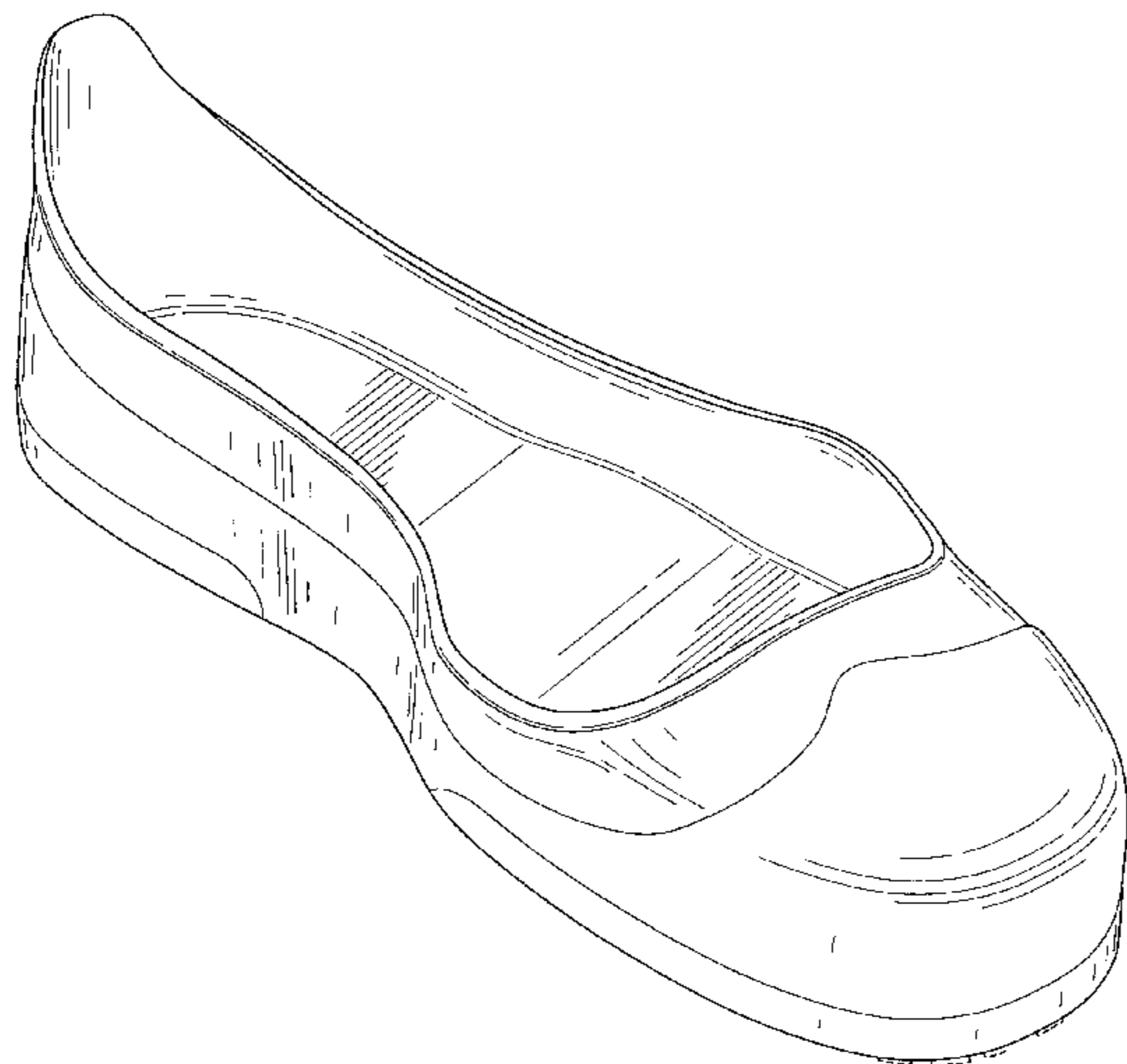
(57) **CLAIM**

The ornamental design for an overshoe, as shown and described.

DESCRIPTION

FIG. 1 is a front left isometric view of the overshoe of the present invention;
 FIG. 2 is an isometric bottom view thereof;
 FIG. 3 is an enlarged partial isometric view of one tread member thereof;
 FIG. 4 is a left side view thereof;
 FIG. 5 is a right side view thereof;
 FIG. 6 is a top view thereof;
 FIG. 7 is a bottom view thereof;
 FIG. 8 is a front view thereof;
 FIG. 9 is a rear view thereof; and,
 FIG. 10 is an environmental view, illustrating the overshoe of the invention in cooperation with an inner shoe.
 The broken lines of the tread in the drawings forms no part of the claimed design. The broken lines of the upper part of the overshoe in FIG. 10 represent unclaimed environment.

1 Claim, 8 Drawing Sheets



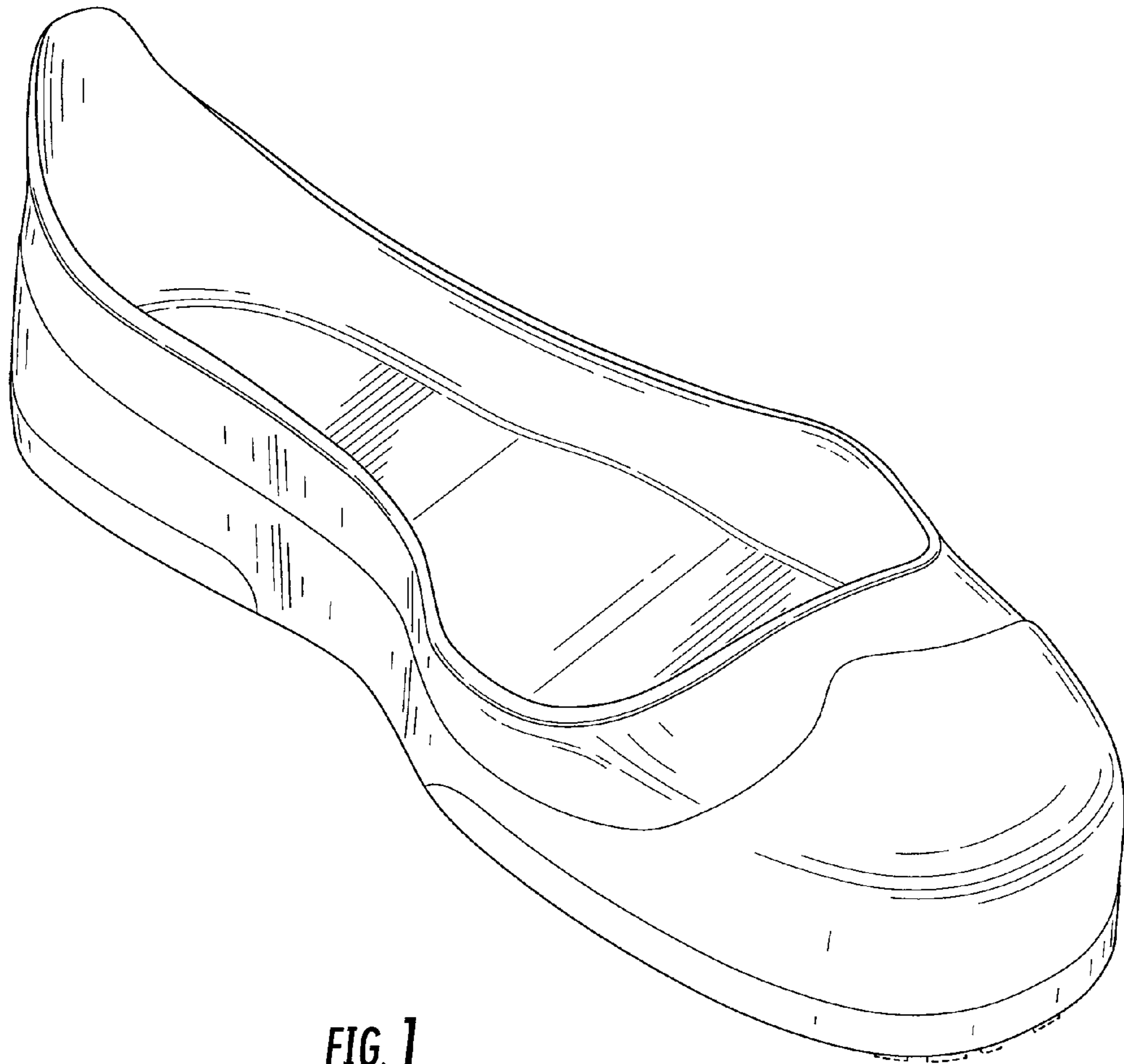


FIG. 1

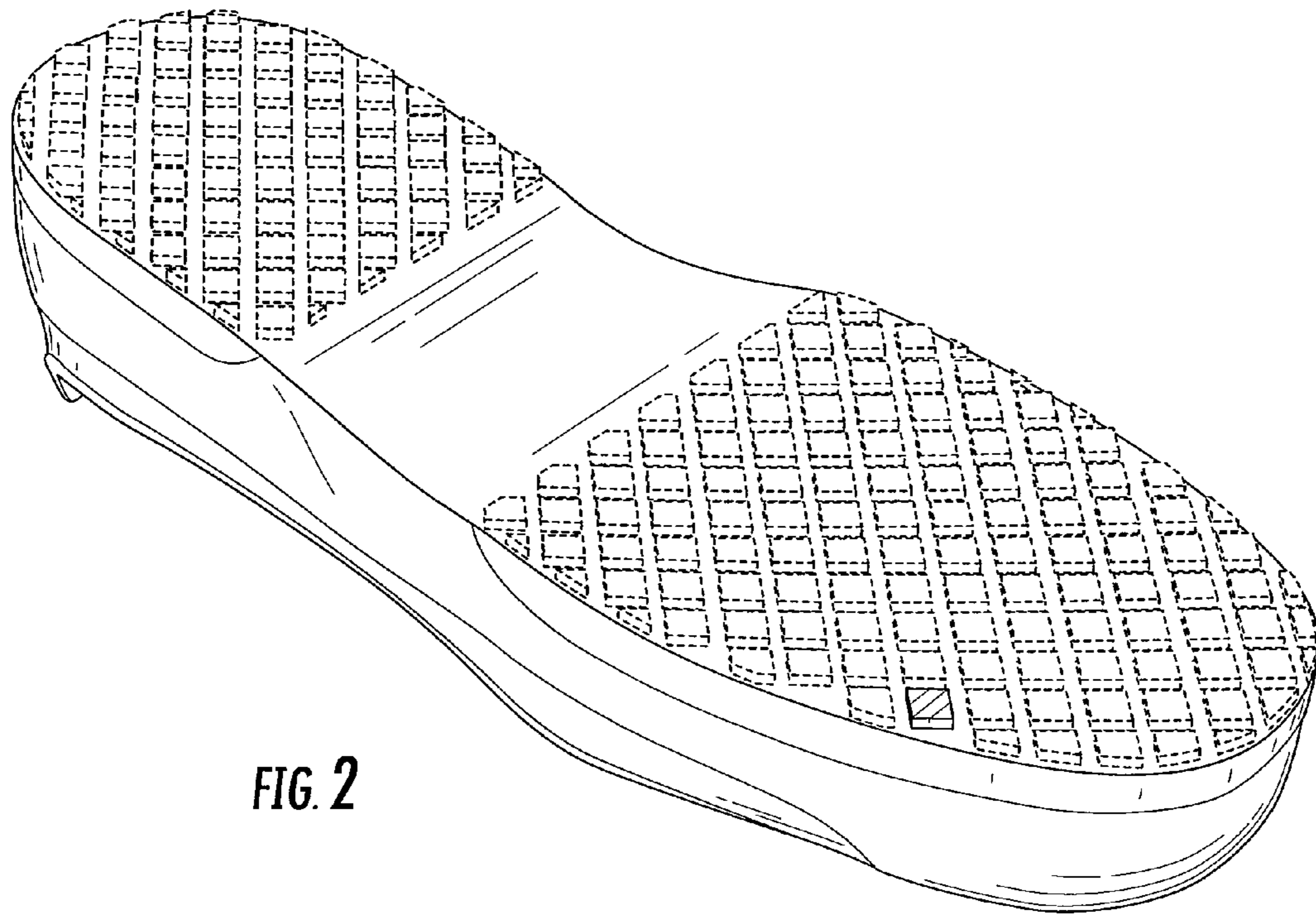


FIG. 2

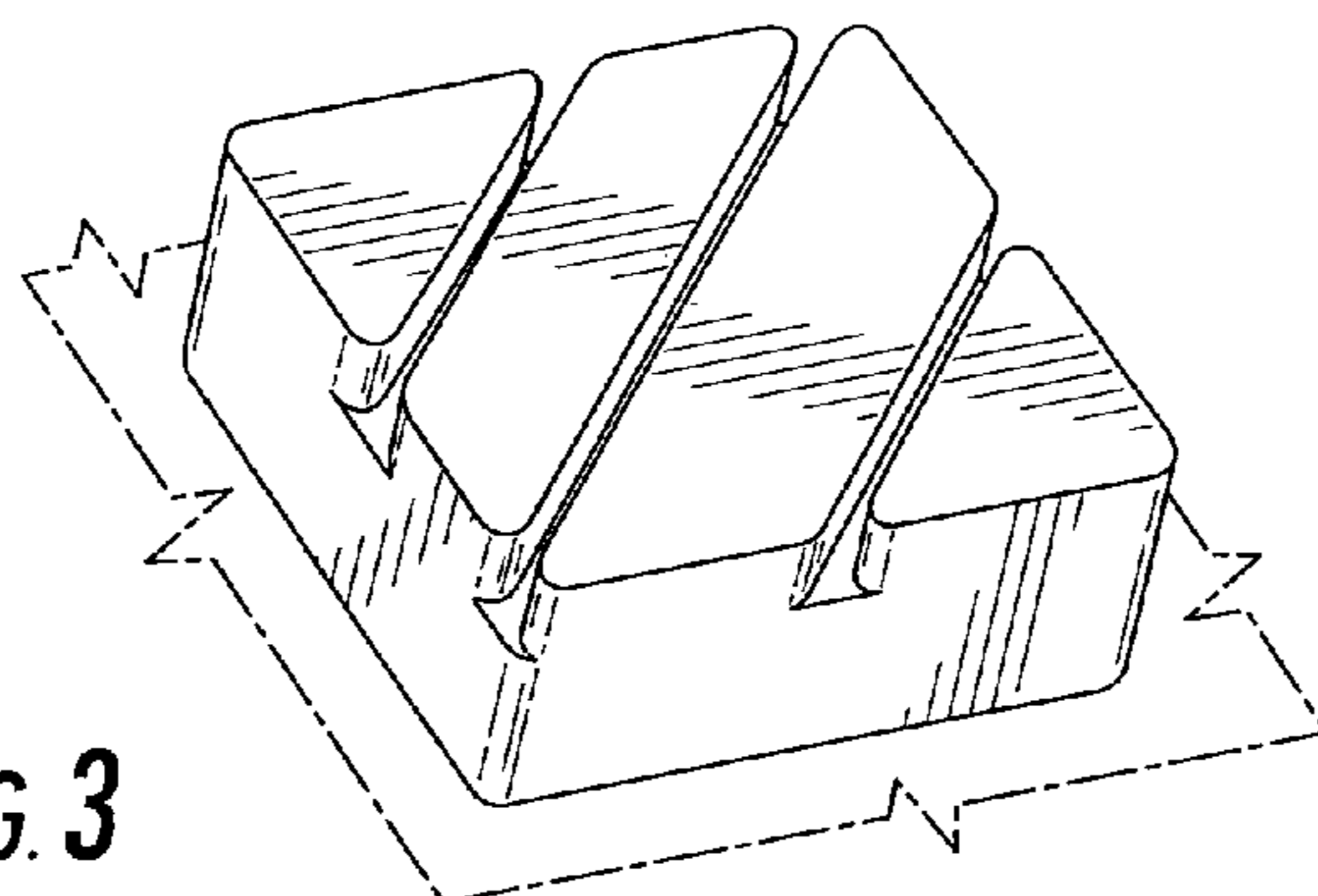


FIG. 3

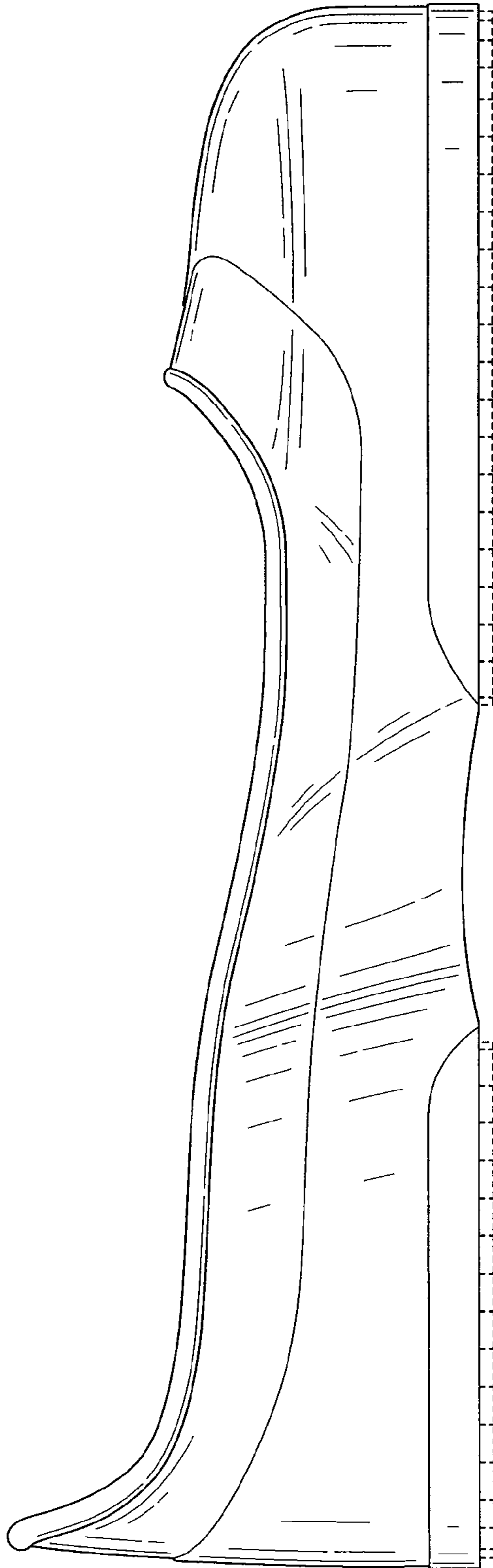


FIG. 4

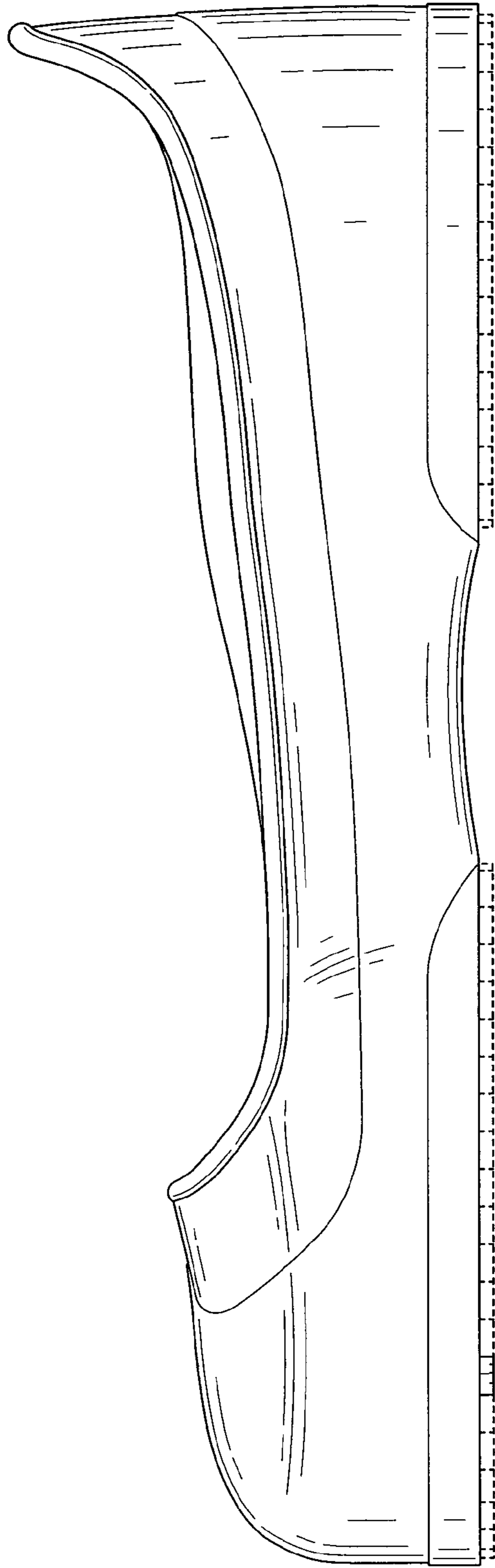


FIG. 5

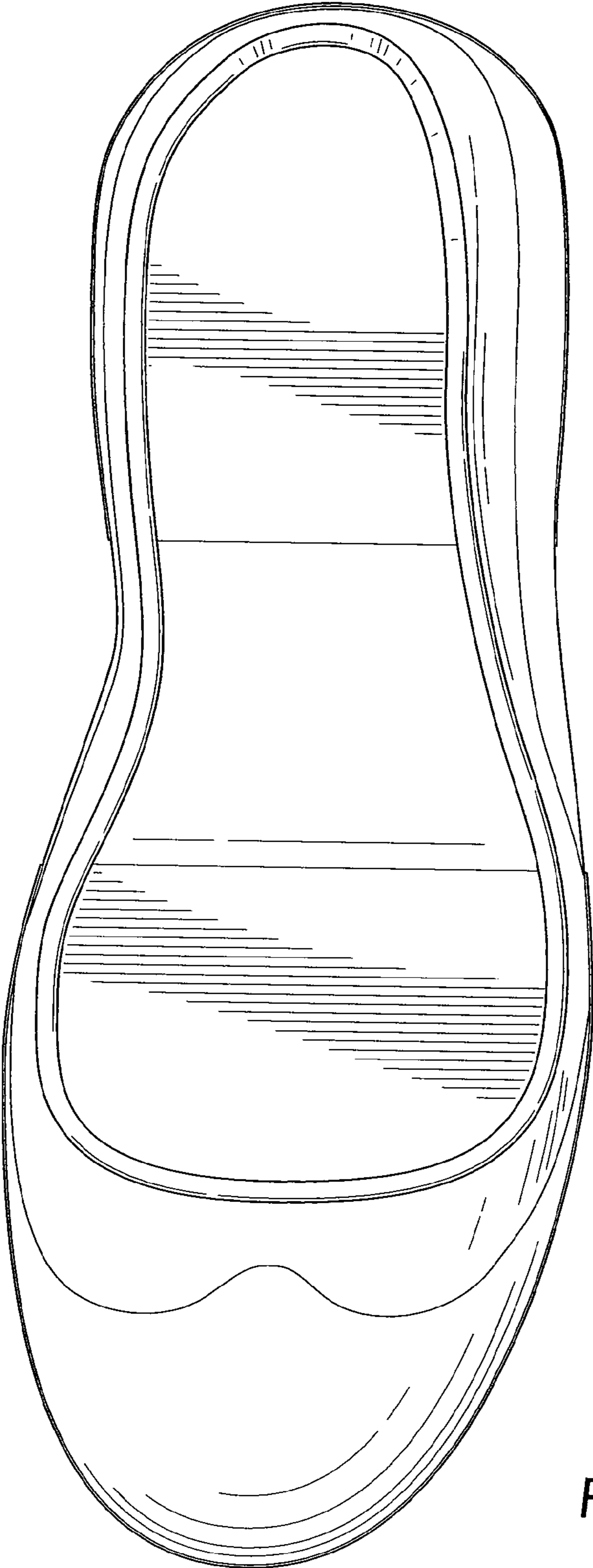


FIG. 6

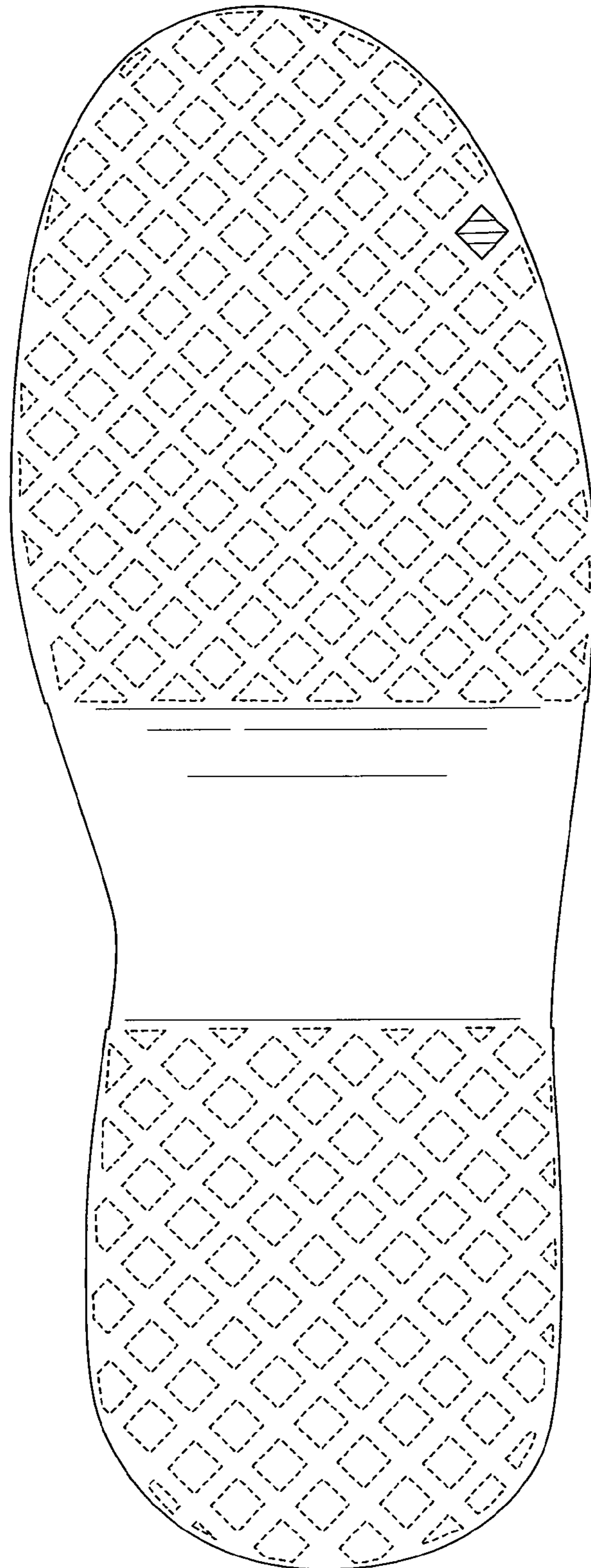


FIG. 7

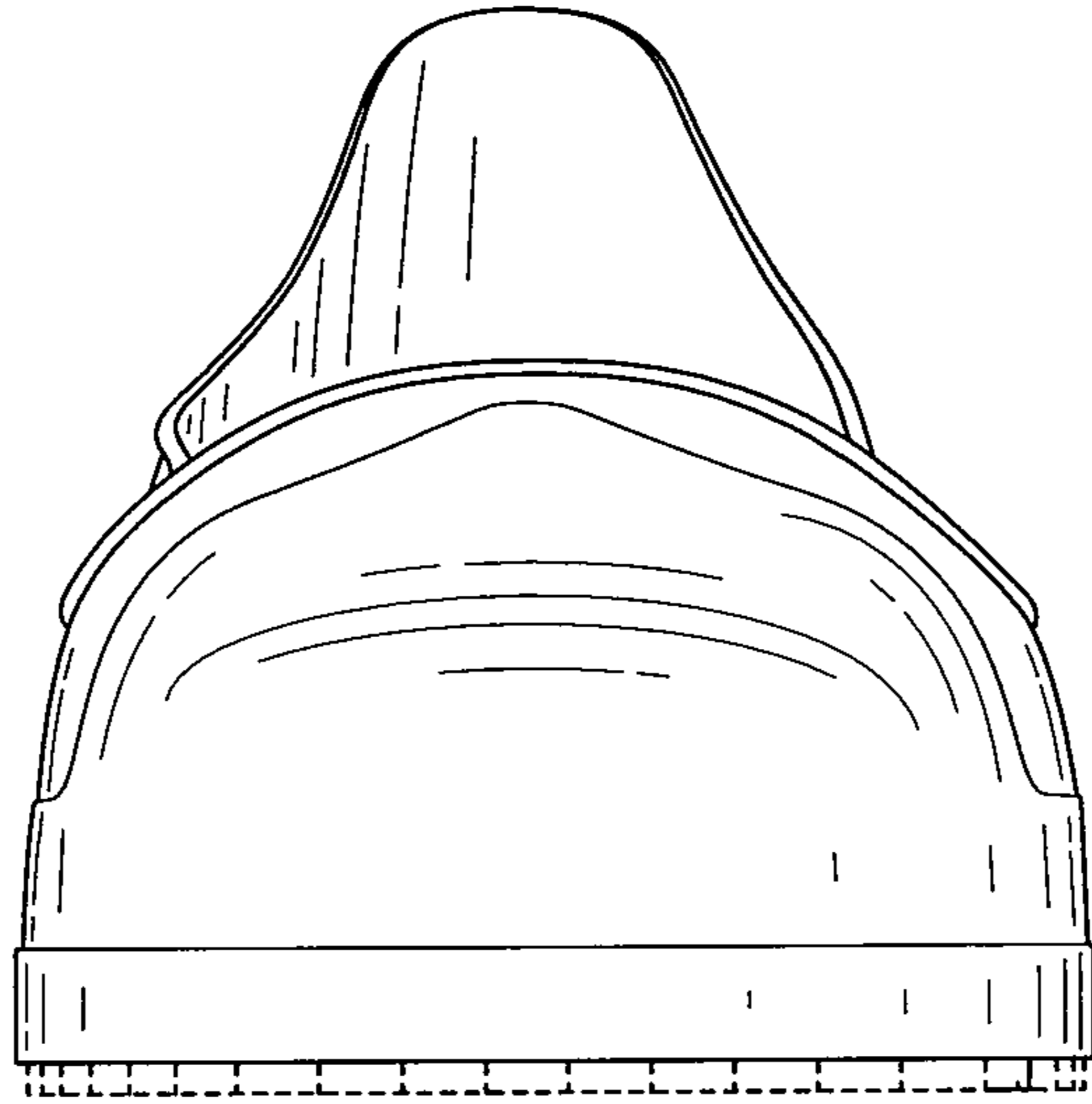


FIG. 8

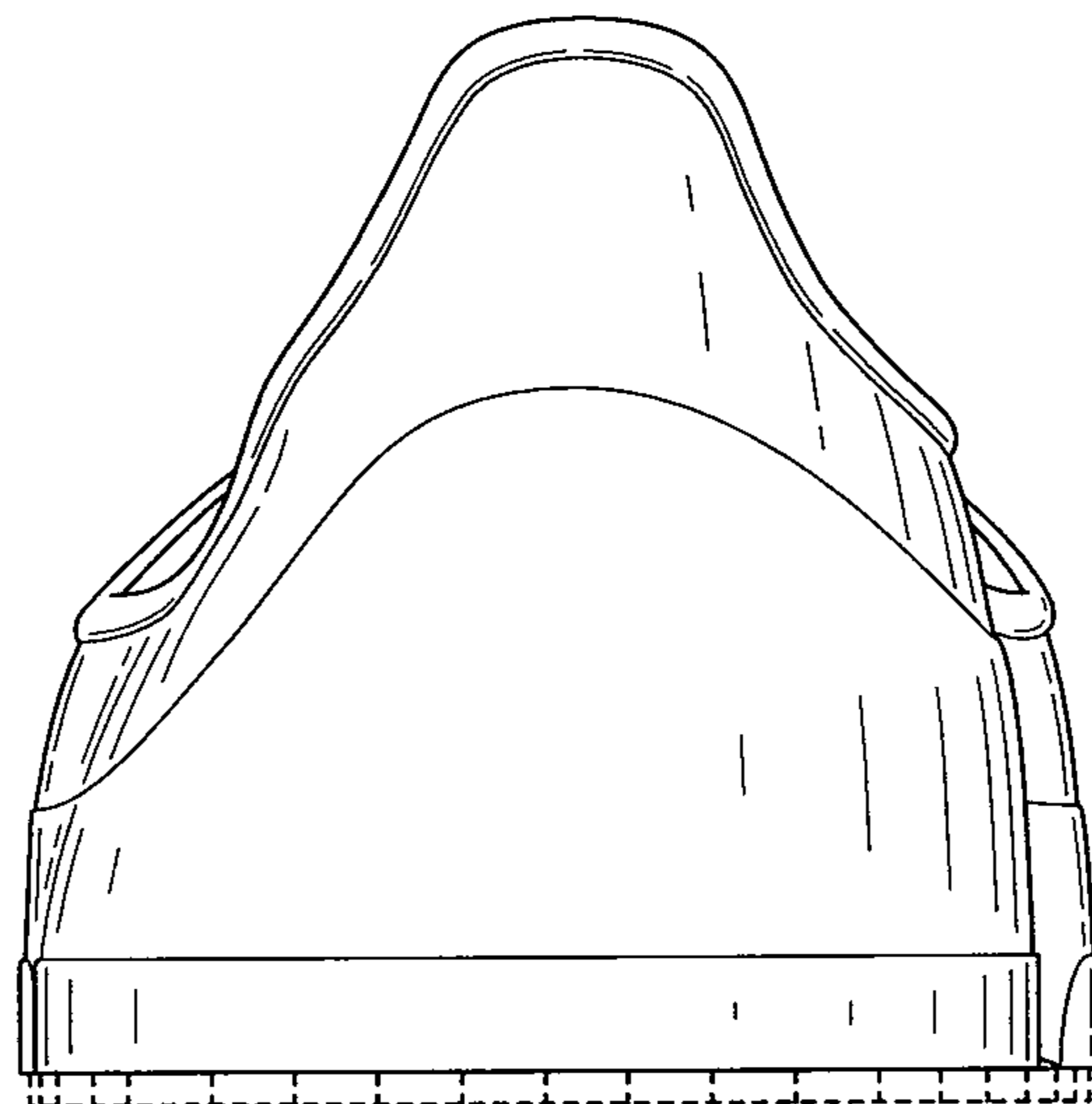


FIG. 9

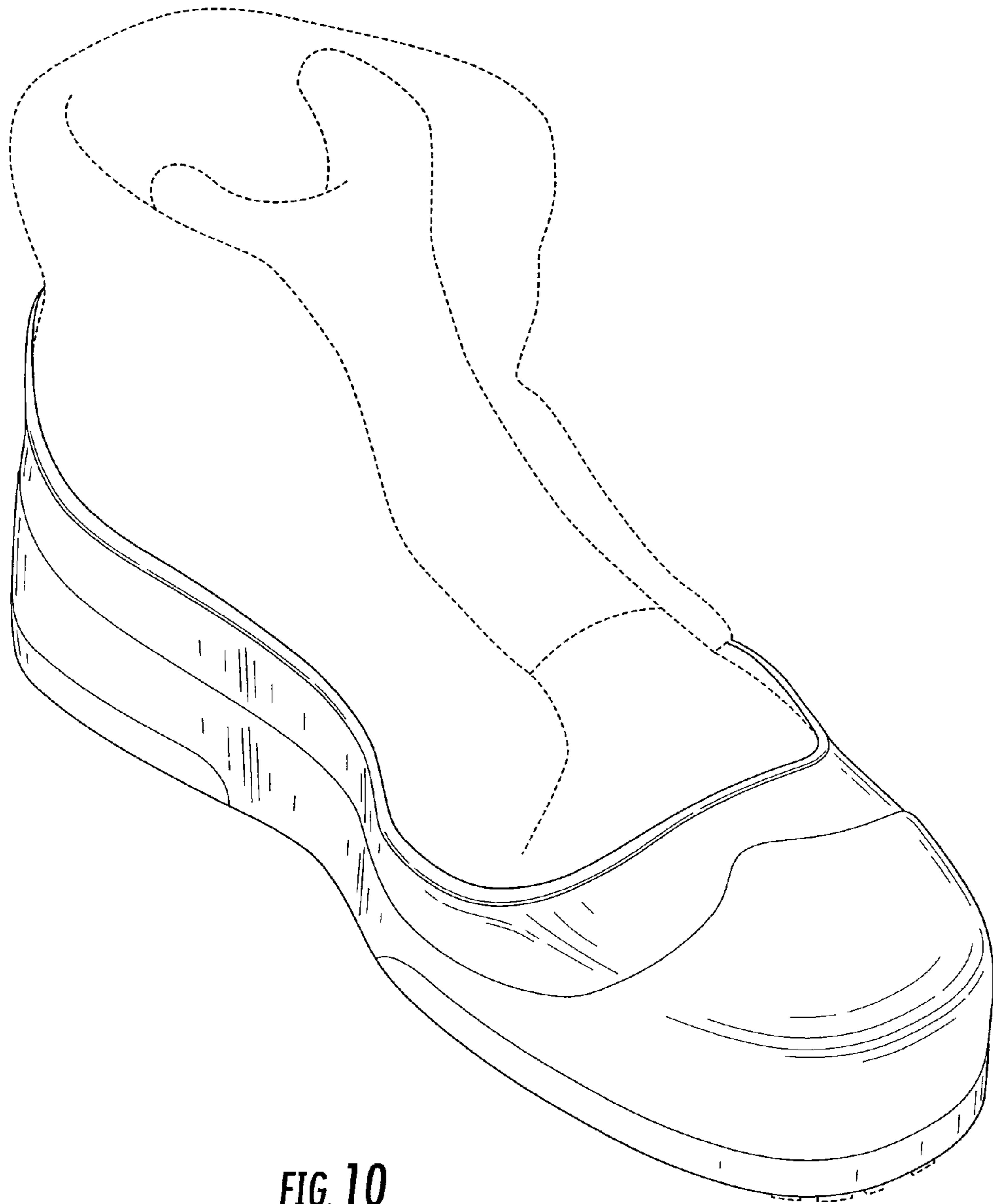


FIG. 10