

US00D767258S

(12) **United States Design Patent**
Nooner

(10) **Patent No.:** **US D767,258 S**

(45) **Date of Patent:** **** Sep. 27, 2016**

(54) **HAT ACCESSORY**

(71) Applicant: **Daemion Nooner**, Los Angeles, CA
(US)

(72) Inventor: **Daemion Nooner**, Los Angeles, CA
(US)

(**) Term: **14 Years**

(21) Appl. No.: **29/504,326**

(22) Filed: **Oct. 3, 2014**

(51) **LOC (10) Cl.** **02-03**

(52) **U.S. Cl.**

USPC **D2/894**; D2/895

(58) **Field of Classification Search**

USPC D2/865, 872, 879, 882, 887, 888, 891,
D2/894, 895

CPC A41D 20/00; A42B 1/00; A42B 1/004;
A42B 1/02; A42B 1/14; A42B 1/22; A42B
1/24; A42B 7/00; A42C 5/00; A42C 5/04

See application file for complete search history.

(56) **References Cited**

U.S. PATENT DOCUMENTS

- 54,986 A * 5/1866 White A42C 5/02
2/181
- 324,073 A * 8/1885 Nathan et al. A42B 1/24
2/195.7
- 327,354 A * 9/1885 Thomas A42B 1/02
2/175.2
- 338,584 A * 3/1886 Crafts A42B 1/02
2/209.7
- 433,988 A * 8/1890 Lawrence A42B 1/22
2/175.3
- 497,085 A * 5/1893 Yule et al. A42B 1/02
2/175.2
- D50,136 S * 1/1917 Kremer D2/894
- D53,065 S * 3/1919 Delman D2/888
- 1,342,924 A * 6/1920 Powers A42C 5/04
2/182.5
- 1,464,432 A * 8/1923 Lemcke A42B 7/00
132/59
- 1,490,565 A * 4/1924 Hunter A42B 1/14
2/175.3
- 1,673,859 A * 6/1928 Wittcoff A42B 1/02
2/10
- 1,783,760 A * 12/1930 Wittcoff A42C 5/04
2/209.5

- 1,804,546 A * 5/1931 Reichelt A42C 5/02
2/181
- D85,975 S * 1/1932 Bronston D2/887
- D98,961 S * 3/1936 Reynolds D2/887
- 2,043,330 A * 6/1936 Nelkin A42C 5/00
2/175.3
- D101,506 S * 10/1936 Rothenberg D2/887
- 2,068,760 A * 1/1937 Olson A42C 5/00
2/175.3
- 2,226,133 A * 12/1940 Lee, Jr. A42C 5/00
2/175.3
- 2,491,183 A * 12/1949 Jones A42C 5/00
2/175.3
- 2,769,272 A * 11/1956 Goldman A42B 1/24
2/175.3
- 2,795,890 A * 6/1957 Metsker A01K 97/06
43/57.1
- 2,796,680 A * 6/1957 Wittcoff A42B 1/004
2/175.3
- 5,369,808 A * 12/1994 Brewer A42C 5/00
2/175.3
- 6,701,532 B1 * 3/2004 Glassberg A41D 20/00
2/170
- D528,744 S * 9/2006 Nelson D2/882
- D620,235 S * 7/2010 Kronenberger D2/895
- 2004/0034900 A1 * 2/2004 Gottlieb A42B 1/02
2/175.1
- 2010/0162464 A1 * 7/2010 Beard A42C 5/00
2/175.3

* cited by examiner

Primary Examiner — Karen E. Eldridge Powers

Assistant Examiner — Jasmine Mlinarcik

(74) *Attorney, Agent, or Firm* — Plager Schack LLP

(57) **CLAIM**

An ornamental design for a hat accessory, as shown and described.

DESCRIPTION

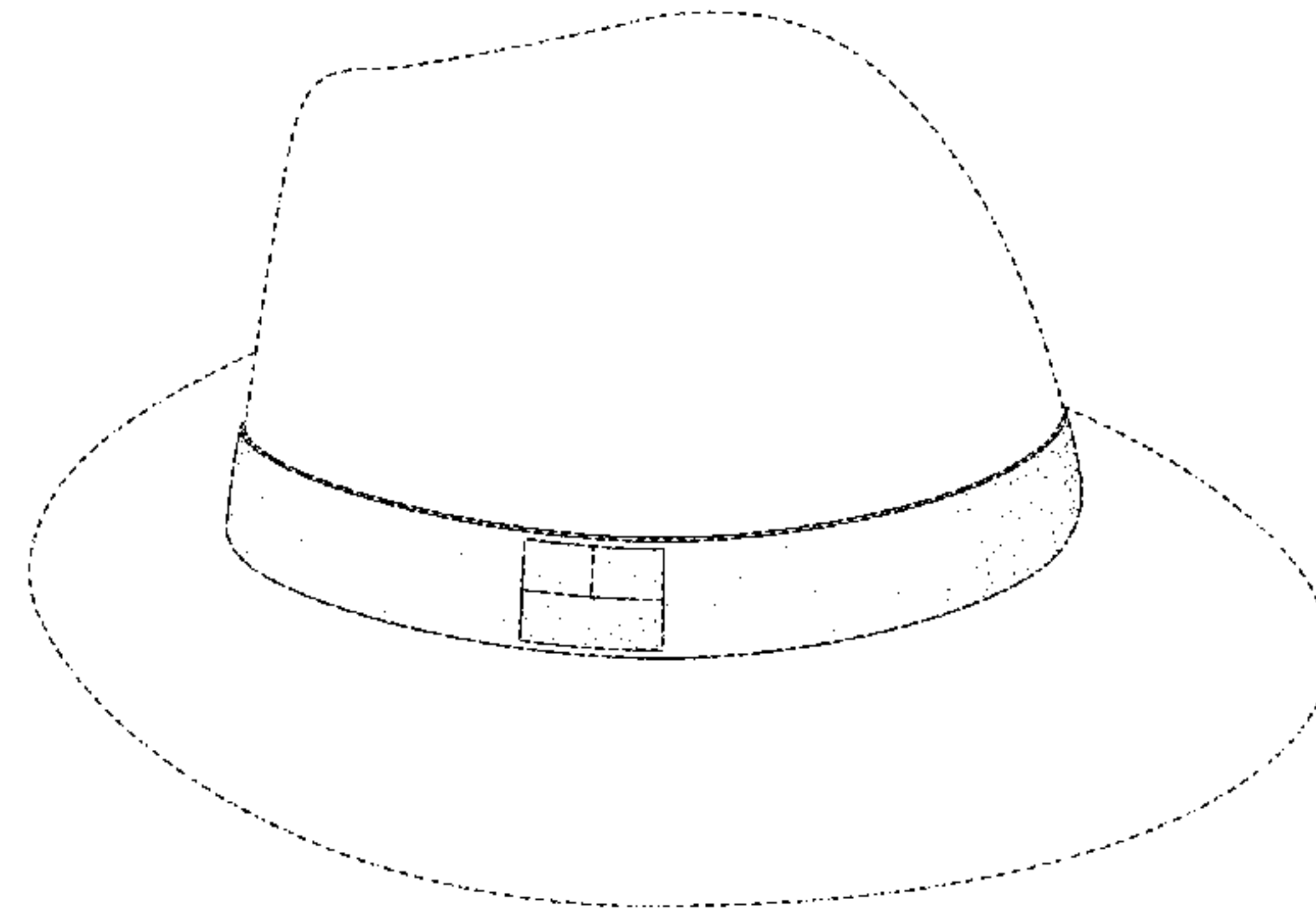
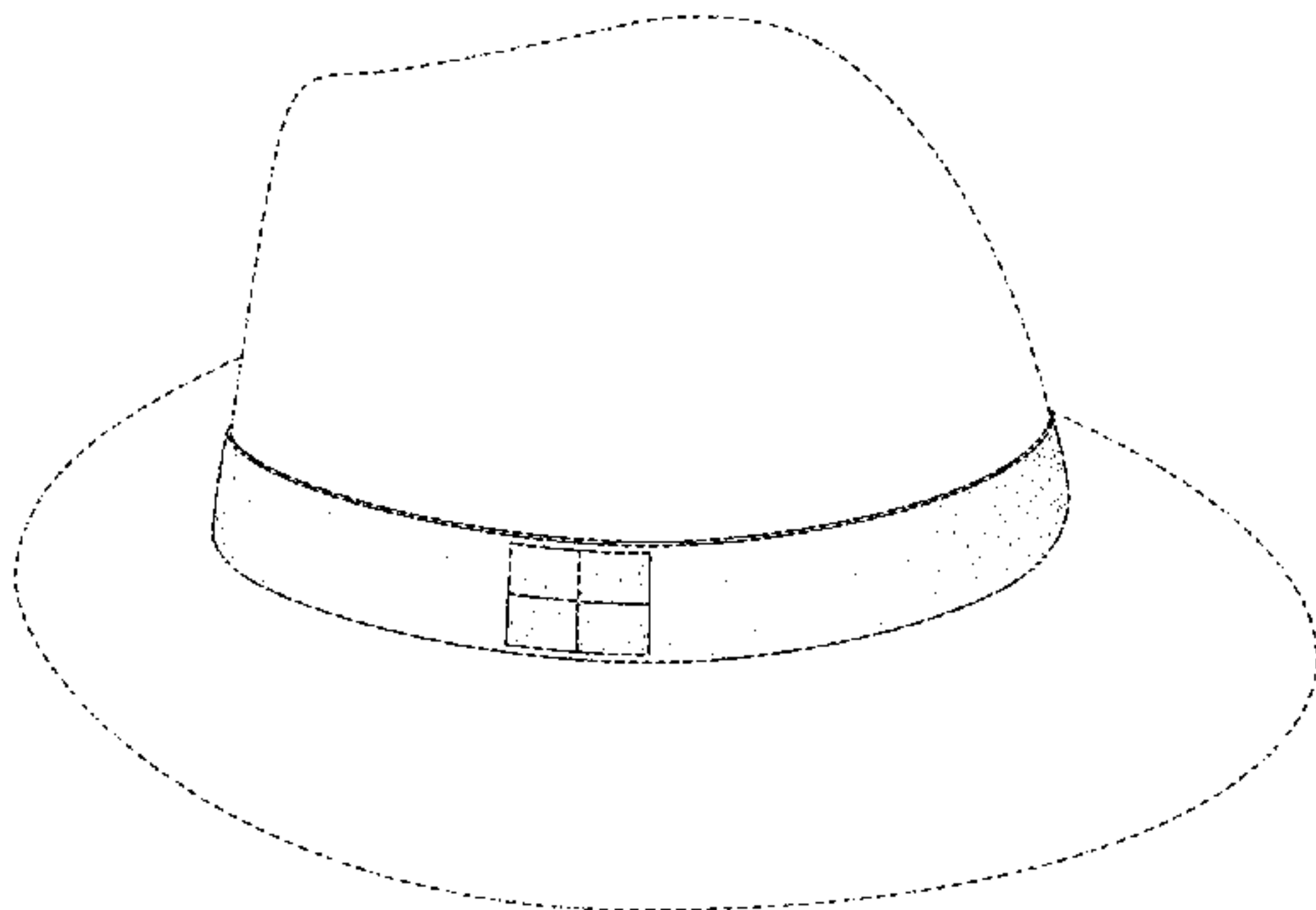
FIG. 1 is a front perspective view of a hat accessory, wherein an ornament divided into four pieces is shown attached to a hatband, according to the first embodiment;

FIG. 2 is a side elevation view thereof;

FIG. 3 is a front perspective view of a hat accessory, wherein an ornament divided into three pieces is shown attached to a hatband, according to the second embodiment; and, FIG. 4 is a side elevation view thereof.

The hat depicted by broken lines represents environmental structure that forms no part of the claimed design.

1 Claim, 4 Drawing Sheets



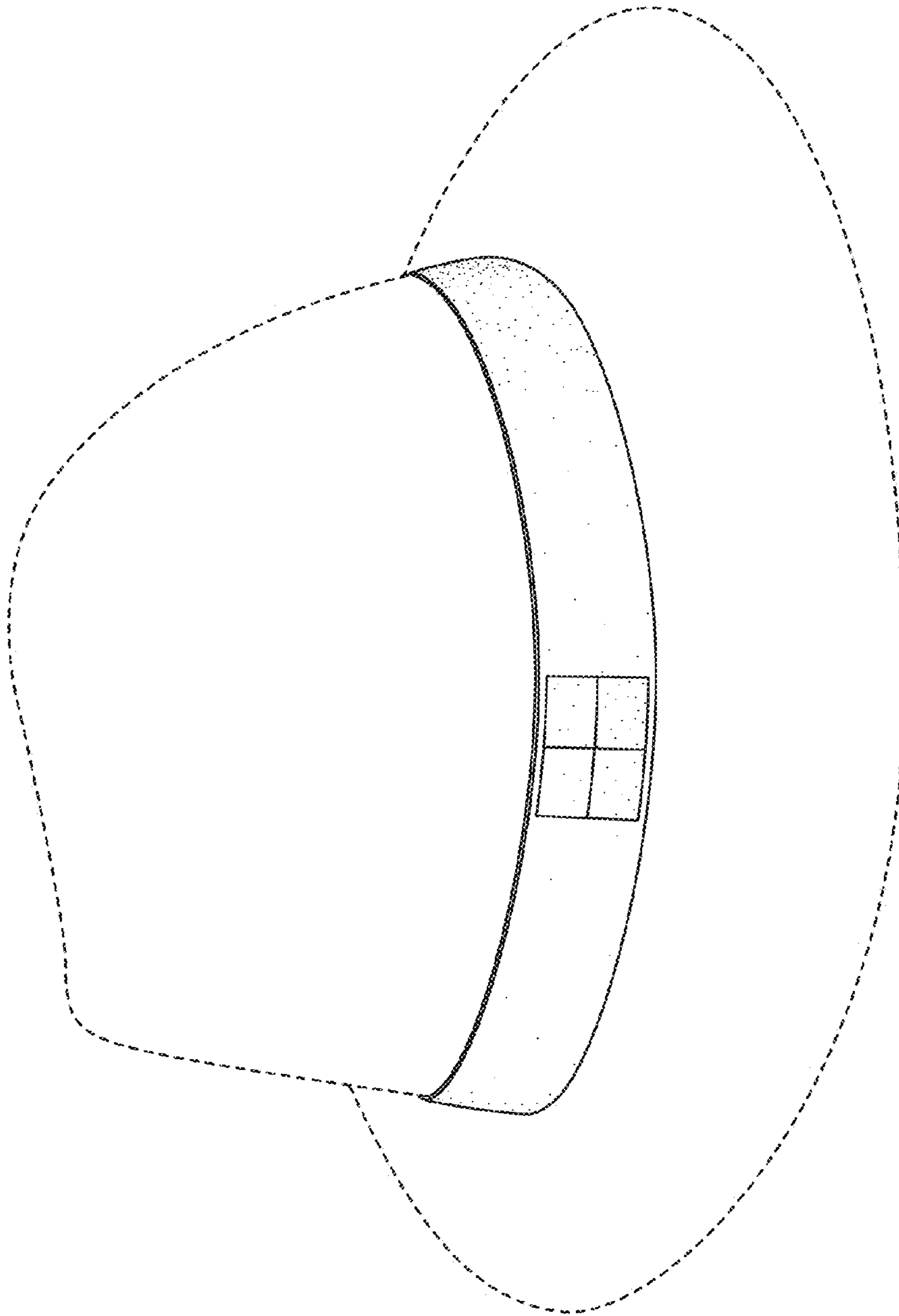


FIG. 1

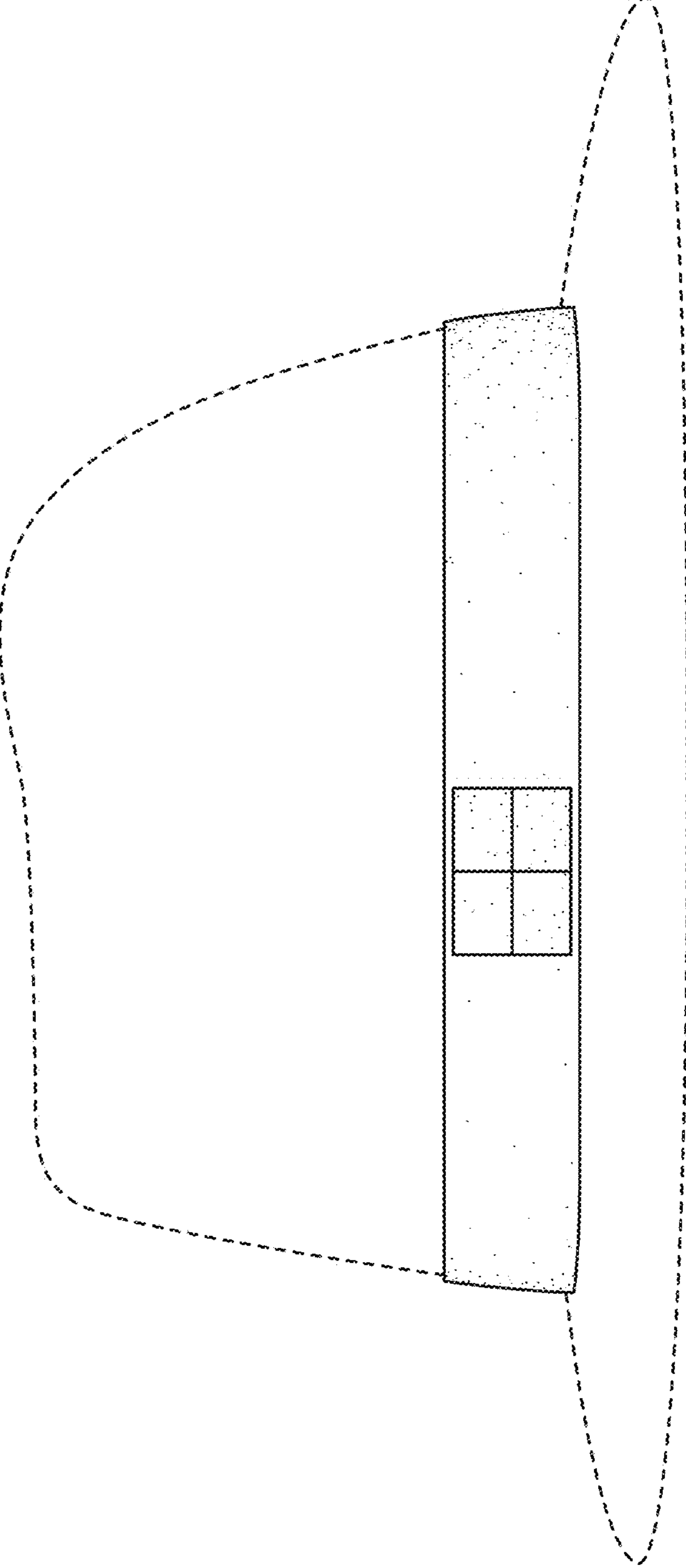


FIG. 2

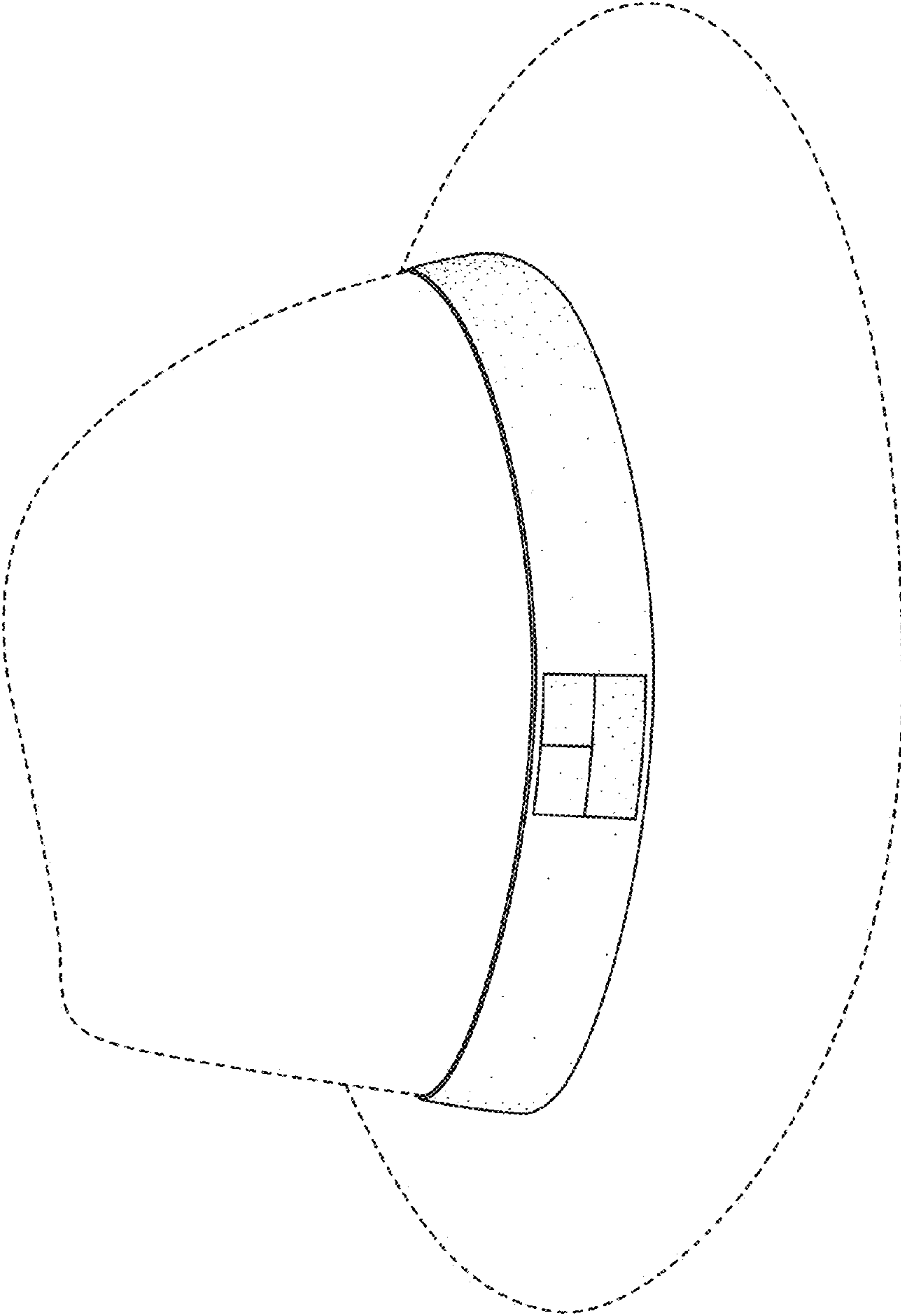


FIG. 3

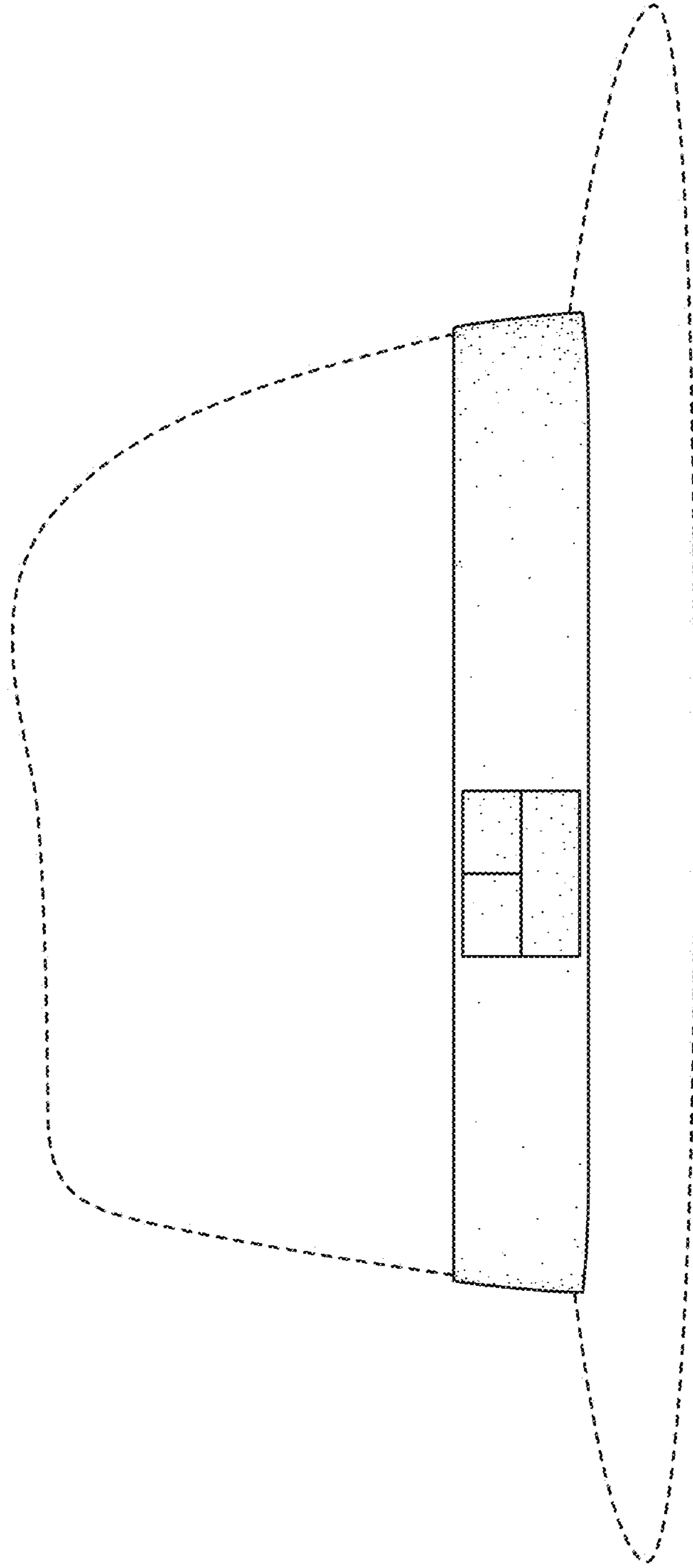


FIG. 4