



US00D767256S

(12) **United States Design Patent** (10) **Patent No.:** **US D767,256 S**
Adrovic (45) **Date of Patent:** **** Sep. 27, 2016**

(54) **DRESS**
(71) Applicant: **NIKE, Inc.**, Beaverton, OR (US)
(72) Inventor: **Alma Adrovic**, Portland, OR (US)
(73) Assignee: **NIKE, Inc.**, Beaverton, OR (US)
(**) Term: **15 Years**
(21) Appl. No.: **29/552,331**
(22) Filed: **Jan. 21, 2016**
(51) **LOC (10) Cl.** **02-02**
(52) **U.S. Cl.**
USPC **D2/831**; D2/731
(58) **Field of Classification Search**
USPC D2/717, 731, 749, 750, 755, 828-831,
D2/833, 834, 836, 839, 840, 841
CPC A41D 1/02; A41D 1/04; A41D 3/00;
A41D 13/005; A41D 13/00518; A41D
2200/20; A41B 1/00; A41B 1/08
See application file for complete search history.

D621,132 S * 8/2010 Crisp D2/831
D630,002 S * 1/2011 Brown D2/741
D630,003 S * 1/2011 Brown D2/741
D633,690 S 3/2011 Tronvold

(Continued)

OTHER PUBLICATIONS

SkylineWears Women's Ladies Fashion Fleece Hoodies, posted at amazon.com, reviewed on Jan. 24, 2015, [online], [site visited Feb. 12, 2016]. Available from Internet, <URL: http://www.amazon.com/SkylineWears-Womens-Fashion-Hoodies-Sweatshirt/dp/B00Q2E2P60/ref=cm_cr_pr_product_top?ie=UTF8>.*

(Continued)

Primary Examiner — Manpreet Matharu
Assistant Examiner — Aula Soroush
(74) *Attorney, Agent, or Firm* — Banner & Witcoff, Ltd.

(57) **CLAIM**

The ornamental design for a dress, as shown and described.

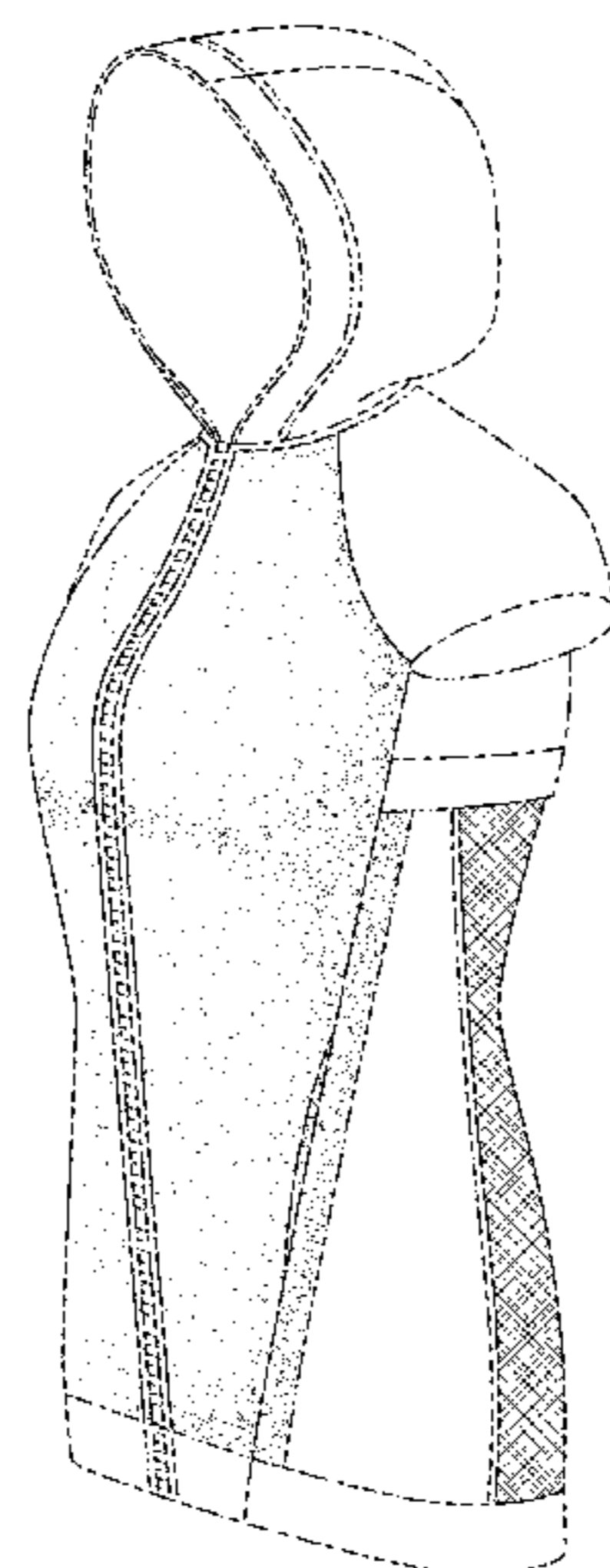
DESCRIPTION

FIG. 1 is a front right perspective view of a dress showing my new design;
FIG. 2 is a front view thereof;
FIG. 3 is a rear view thereof;
FIG. 4 is a left side view thereof;
FIG. 5 is a right side view thereof;
FIG. 6 is a top view thereof; and,
FIG. 7 is a bottom view thereof.
The dash-dot lines adjacent to the shaded areas illustrate a boundary of the claim and form no part of the claimed design. The other dash-dot lines showing the remainder of the dress are for environmental purposes only and form no part of the claimed design. In the drawings, the randomly spaced stippling is shown merely for the purpose of illustrating surface shading and does not represent any particular color, material, texture or finish.

1 Claim, 6 Drawing Sheets

(56) **References Cited**
U.S. PATENT DOCUMENTS

D54,283 S	12/1919	Sollen	
D110,663 S	7/1938	Riordan	
D117,331 S	10/1939	Callahan	
D119,122 S	2/1940	Bauer	
D130,167 S	10/1941	Bauer	
D132,803 S	6/1942	Bauer	
D138,336 S	7/1944	Bauer	
D194,967 S	4/1963	Bauer	
D382,093 S	8/1997	Winfree	
D414,913 S	* 10/1999	Katz	D2/829
D478,708 S	* 8/2003	Miros	D2/831
D529,687 S	10/2006	Rindle	
D531,783 S	11/2006	Collier	
D560,881 S	* 2/2008	D'Acquisto	D2/858
D561,430 S	* 2/2008	Vincenzo	D2/831
D568,581 S	5/2008	Wager	
D584,482 S	* 1/2009	Marsh	D2/717



(56)

References Cited

U.S. PATENT DOCUMENTS

D633,691 S 3/2011 Tronvold
 D636,973 S 5/2011 Smith et al.
 D637,794 S * 5/2011 Gosse D2/831
 D638,200 S 5/2011 Gorson
 D638,201 S 5/2011 Gosse
 D638,202 S 5/2011 Gosse
 D638,612 S * 5/2011 Benderradji D2/728
 D639,023 S 6/2011 Iamartino et al.
 D653,430 S * 2/2012 Pouches D2/829
 D654,664 S 2/2012 Evans et al.
 D662,284 S * 6/2012 Lam D2/831
 D687,620 S 8/2013 Lurry et al.
 D697,286 S * 1/2014 Allen D2/840
 D698,522 S 2/2014 Roberts et al.
 D698,523 S 2/2014 Roberts et al.
 D698,524 S 2/2014 Roberts et al.
 D698,525 S 2/2014 Roberts et al.
 D700,418 S 3/2014 Borovicka et al.
 D701,368 S 3/2014 Borovicka et al.
 D704,924 S * 5/2014 Roberts D2/831
 D707,424 S * 6/2014 Pezzimenti D2/829
 D707,923 S * 7/2014 Borovicka D2/831
 D708,426 S * 7/2014 Simons D2/804
 D710,573 S * 8/2014 Pezzimenti D2/829
 D714,526 S * 10/2014 Ingram D2/831
 D714,527 S * 10/2014 Borovicka D2/839
 D728,900 S * 5/2015 White D2/750
 D732,799 S * 6/2015 Smith D2/831
 D734,593 S * 7/2015 Borovicka D2/831
 D736,497 S * 8/2015 Harris D2/831
 D739,995 S * 10/2015 Howie D2/756
 D744,724 S * 12/2015 Borovicka D2/828
 D745,769 S * 12/2015 Borovicka D2/750

D746,551 S * 1/2016 Ingram D2/839
 D747,075 S * 1/2016 Ingram D2/831
 D747,846 S * 1/2016 Borovicka D2/750
 2004/0055069 A1 * 3/2004 Clarke Fayle A41D 3/00
 2/93
 2010/0115684 A1 * 5/2010 Freedman A41D 27/201
 2/128
 2011/0289649 A1 * 12/2011 Wong A41D 1/04
 2/84
 2013/0152269 A1 * 6/2013 Coward A41D 13/08
 2/84
 2014/0109287 A1 * 4/2014 Ramirez A42B 1/048
 2/84
 2014/0352027 A1 * 12/2014 Galluzzo A41D 3/00
 2/84

OTHER PUBLICATIONS

American Apparel California Fleece Pullover Raglan Hoodie Dress, posted at amazon.com, reviewed on Oct. 15, 2010, [online], [site visited Feb. 12, 2016]. Available from Internet, <URL: http://www.amazon.com/American-Apparel-California-Fleece-Pullover/dp/B0031LIWUI/ref=cm_cr_pr_product_top?ie=UTF8>.*
 Hoodie Buddie Super Heathered Mint Zip Sweatshirt Raw Hem Short Sleeve, posted at amazon.com, reviewed on Apr. 1, 2014, [online], [site visited Feb. 12, 2016]. Available from Internet, <URL: http://www.amazon.com/Hoodie-Buddie-Heathered-Sweatshirt-Sleeve/dp/B00H5XFH62/ref=pd_sbs_193_5?ie=UTF8&dpID=41S2vtCLJ5L&dpSrc=sims&preST=_AC_UL200_SR150%2C200_&re>.*
 Coral Sleeveless Hoodie Bodycon Party Dress, posted at pinkbasis.com, reviewed on Apr. 8, 2014, [online], [site visited Feb. 18, 2016]. Available from Internet, <URL: <http://www.pinkbasis.com/clothing-dress-xxx4-1199coral.html>>.*

* cited by examiner

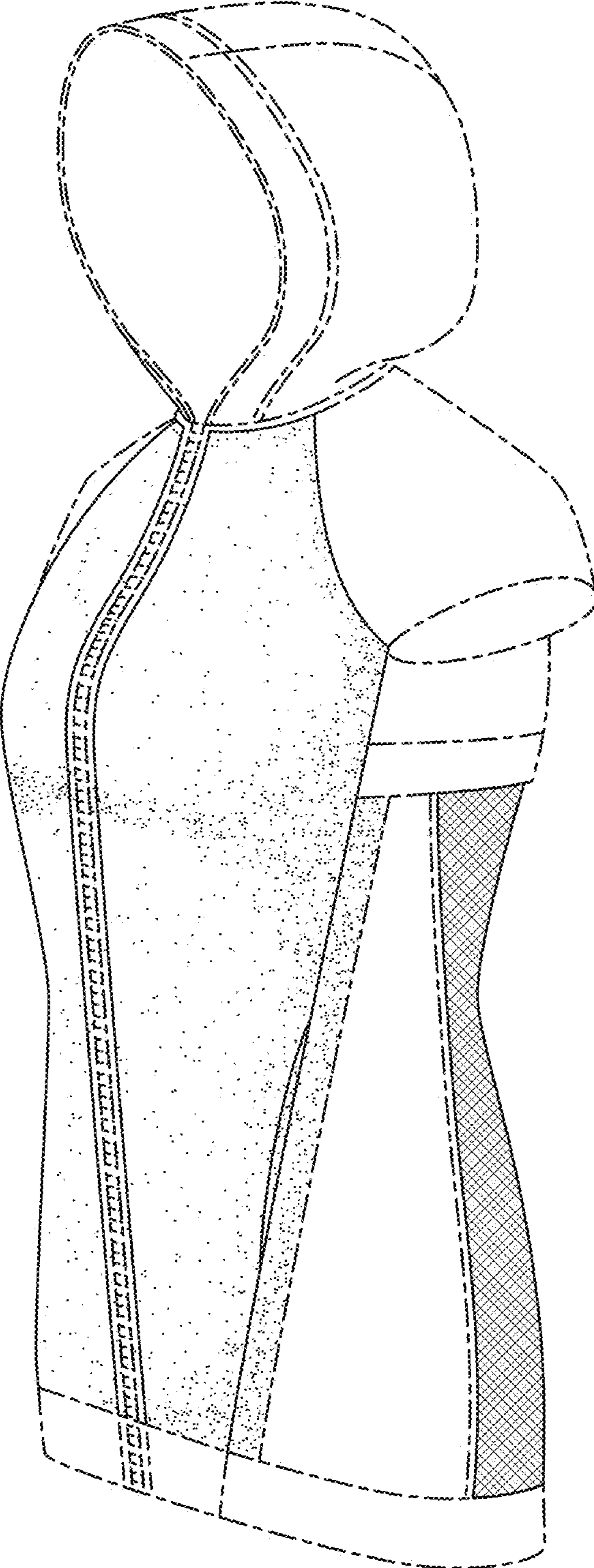


FIG. 1

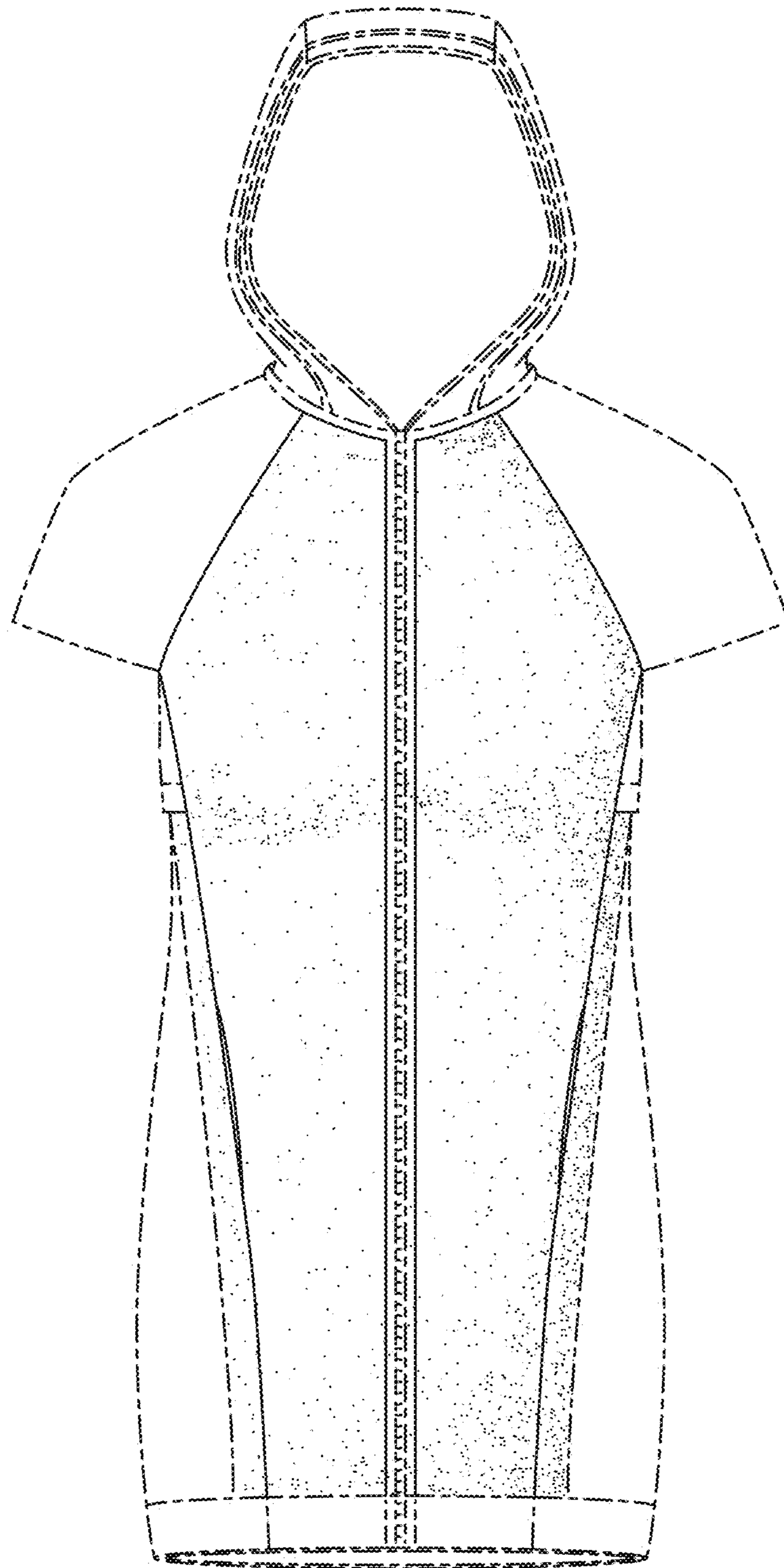


FIG. 2

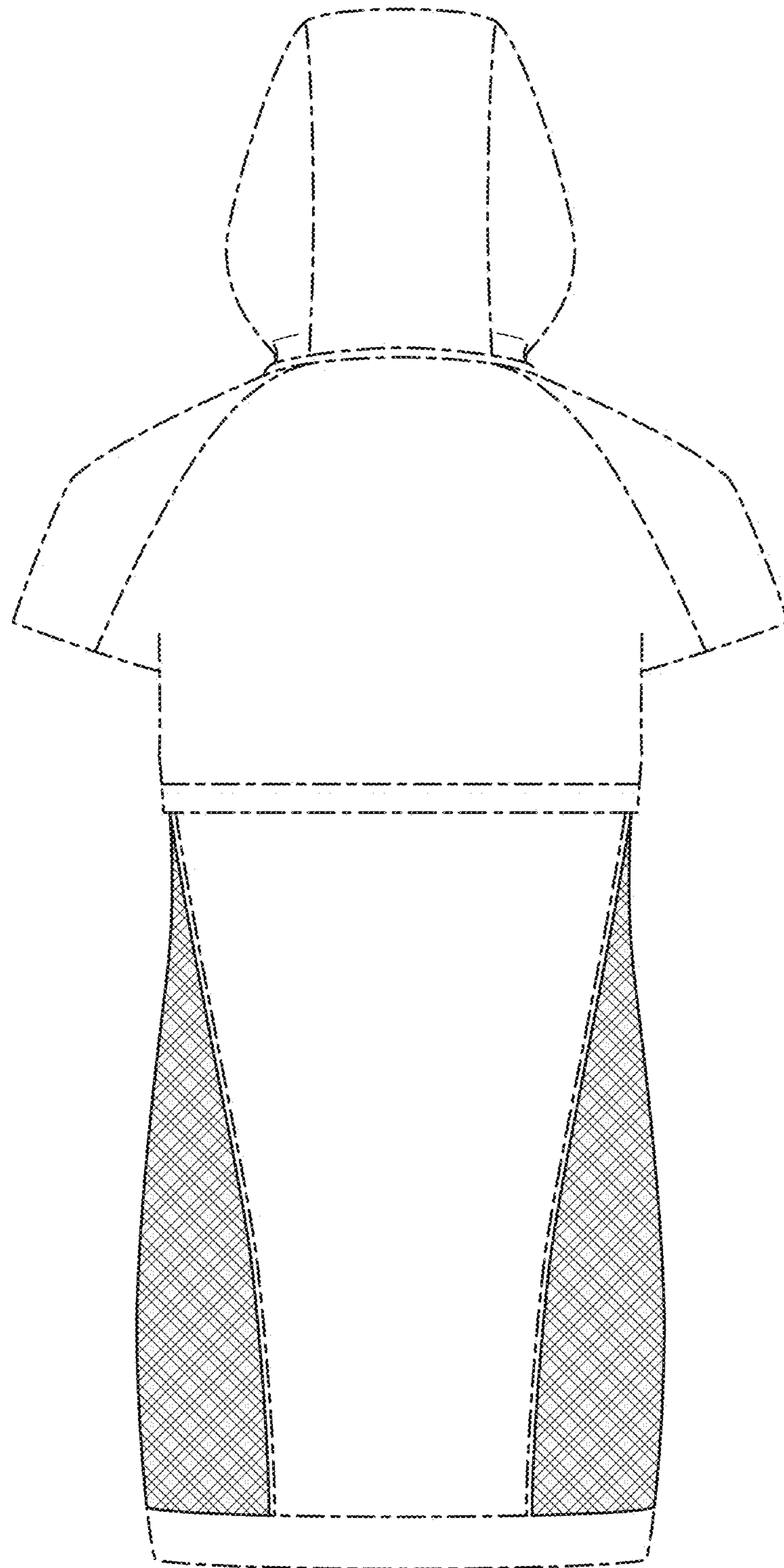


FIG. 3

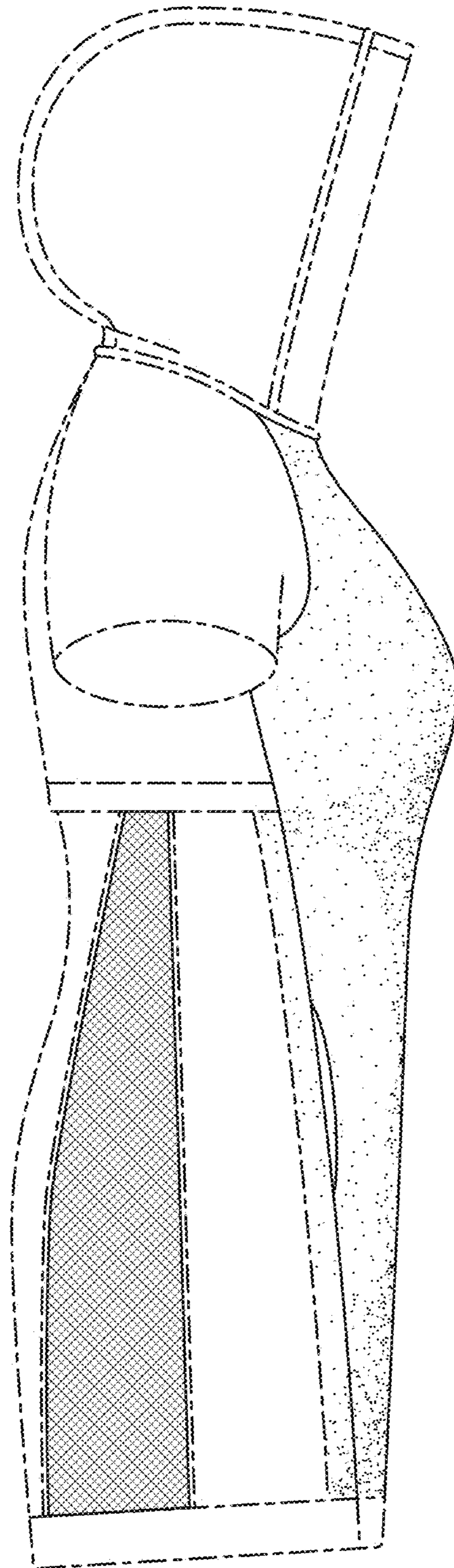


FIG. 4

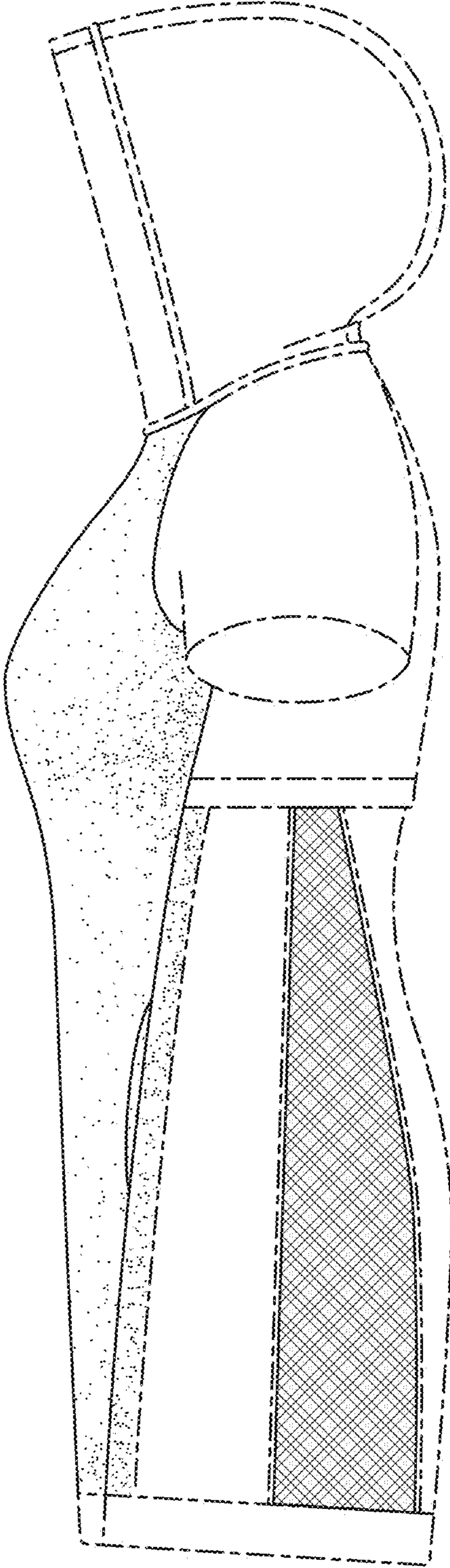


FIG. 5

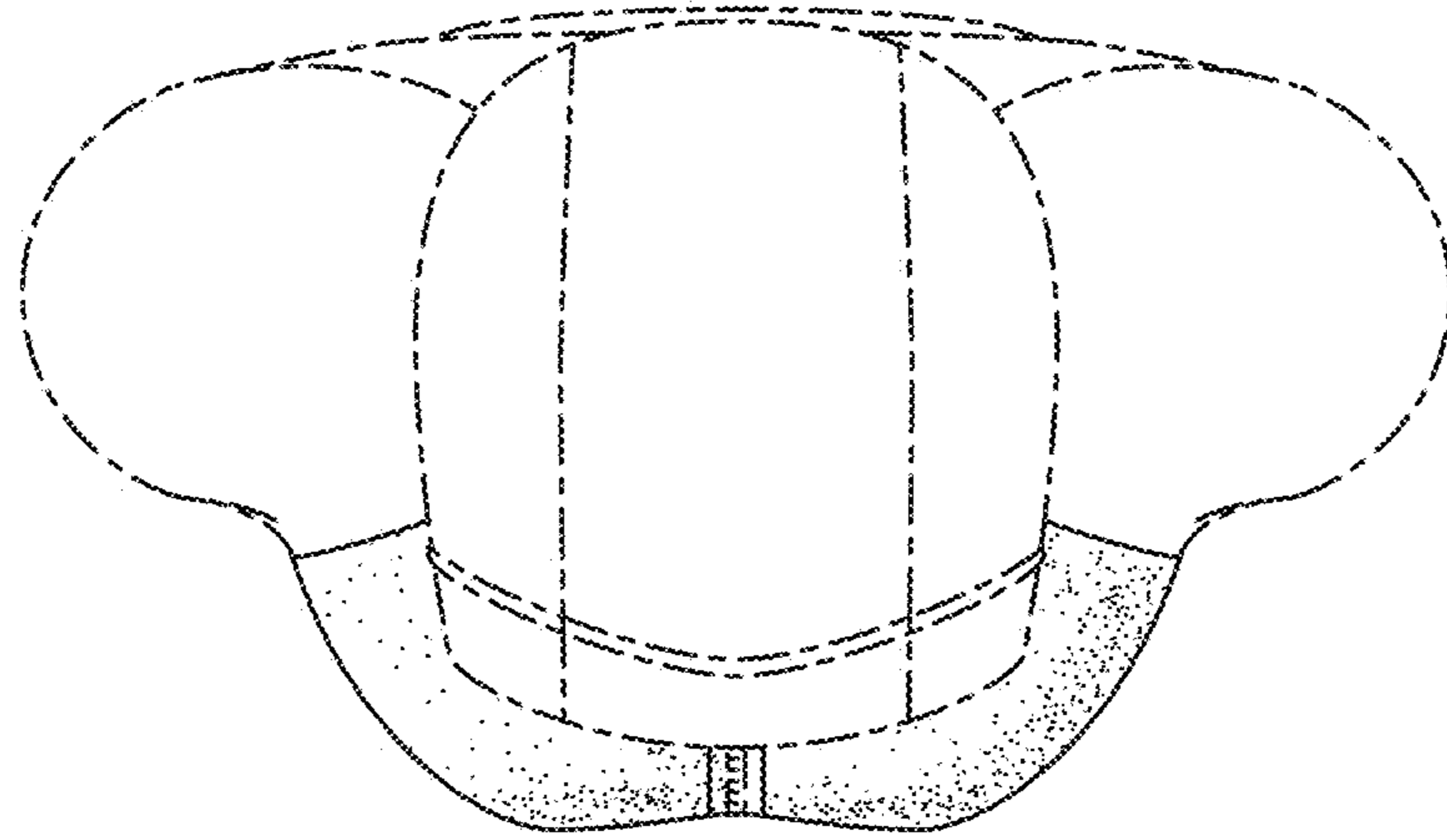


FIG. 6

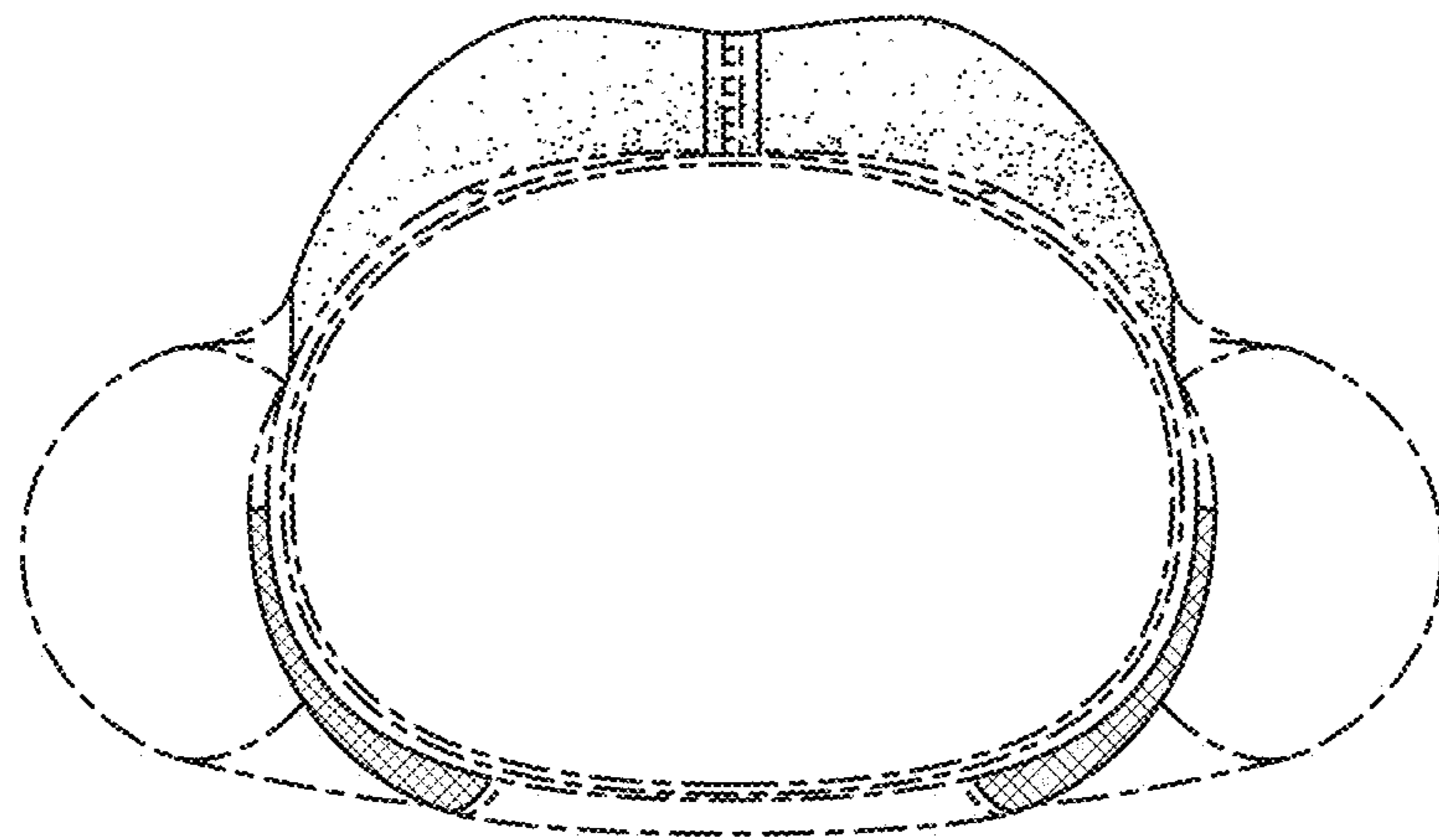


FIG. 7