



US00D767249S

(12) **United States Design Patent** (10) **Patent No.:** **US D767,249 S**
Glick (45) **Date of Patent:** **** Sep. 27, 2016**

- (54) **BELT WEDGE**
- (71) Applicant: **Michael Glick**, Parrish, FL (US)
- (72) Inventor: **Michael Glick**, Parrish, FL (US)
- (**) Term: **15 Years**
- (21) Appl. No.: **29/533,170**
- (22) Filed: **Jul. 15, 2015**
- (51) **LOC (10) Cl.** **02-07**
- (52) **U.S. Cl.**
USPC **D2/627**
- (58) **Field of Classification Search**
USPC D2/627, 639, 999; D11/200, 231, 232,
D11/234, 236
CPC A44B 11/20; A44B 11/001; A41F 9/02;
A41F 9/002
See application file for complete search history.

(56) **References Cited**

U.S. PATENT DOCUMENTS

1,615,465	A *	1/1927	Martin	B65D 5/008 229/115
D91,630	S *	2/1934	Klein et al.	D9/499
2,048,498	A *	7/1936	Foster	A41F 9/002 132/73.5
4,470,869	A *	9/1984	Briconi	A41F 9/002 156/226
D290,589	S *	6/1987	Watanabe	D11/234
5,113,765	A *	5/1992	Carey	F42B 4/26 102/336
D333,640	S *	3/1993	Keller	D11/200
D357,092	S *	4/1995	Young	D11/200
D363,592	S *	10/1995	Gold	D2/639
D462,285	S *	9/2002	Moore	D10/109.1
D525,907	S *	8/2006	Mouquet	D11/234
D596,987	S *	7/2009	Perschke	D11/231

D691,513	S *	10/2013	Holloway	D11/234
D718,149	S *	11/2014	Glenn	D9/734
2013/0139300	A1 *	6/2013	Laiken	A41F 9/002 2/321

* cited by examiner

Primary Examiner — Celia Murphy

Assistant Examiner — Clare Ann Gannon

(74) *Attorney, Agent, or Firm* — Larson & Larson, P.A.;
Patrick A. Reid; Justin P. Miller

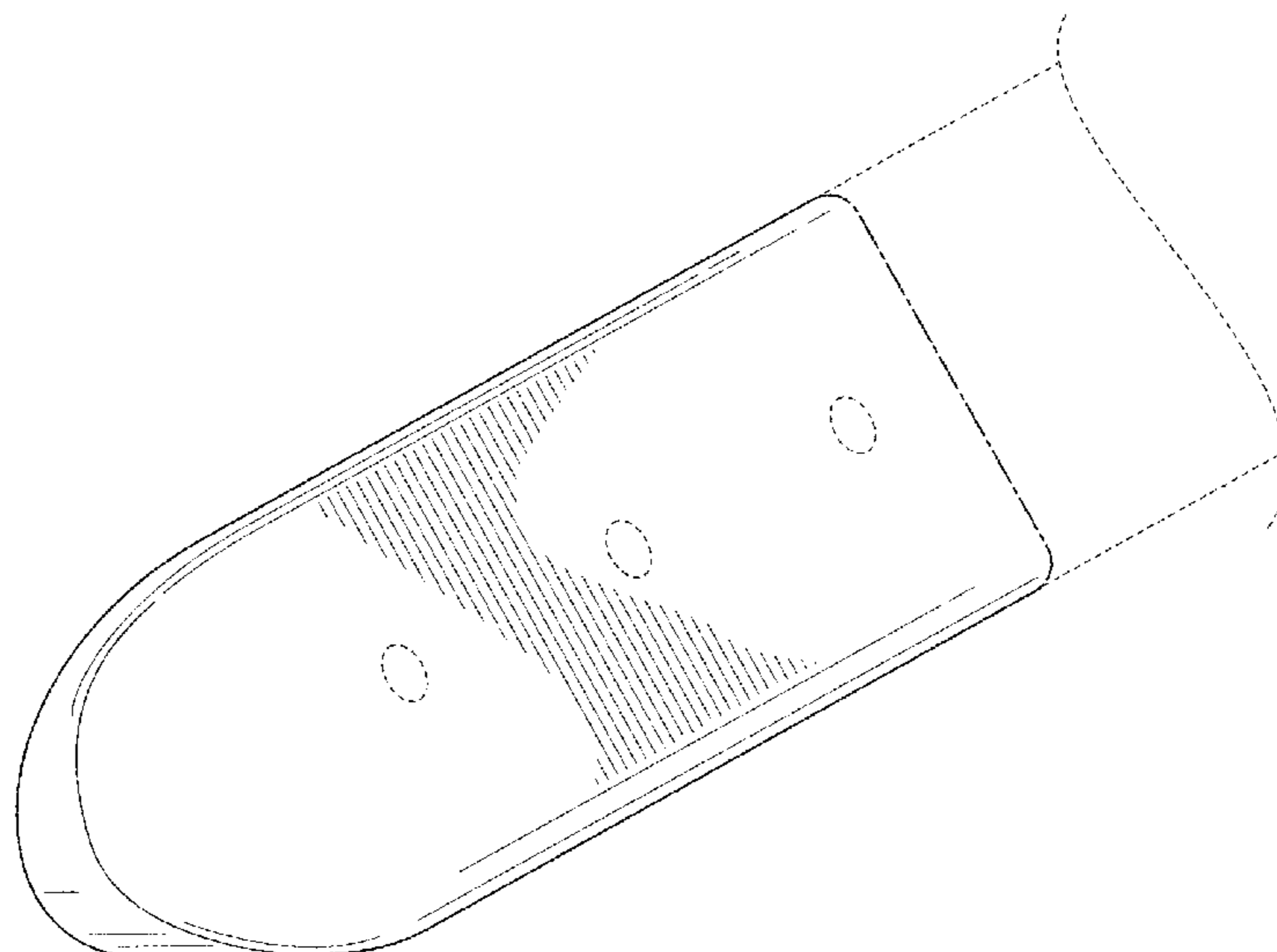
(57) **CLAIM**

I claim the ornamental design for a belt wedge, as shown and described.

DESCRIPTION

FIG. 1 is a perspective view of a belt wedge showing my new design;
 FIG. 2 is a rear perspective view thereof, with the broken lines depicting a belt shown broken away for convenience of illustration;
 FIG. 3 is a rear elevational view thereof;
 FIG. 4 is a front elevational view thereof;
 FIG. 5 is a right side view thereof with the broken lines depicting a belt removed;
 FIG. 6 is a left side view thereof with the broken lines depicting a belt removed;
 FIG. 7 is a top view thereof, with the broken lines depicting a belt shown broken away for convenience of illustration;
 FIG. 8 is a bottom view thereof;
 FIG. 9 is a top view thereof shown in a position of use; and,
 FIG. 10 is a rear perspective view thereof shown in a position of use.
 In the drawings, the dot-dash broken lines depict the boundaries of the claim and form no part thereof. All remaining broken lines depict environmental structure that forms no part of the claim.

1 Claim, 8 Drawing Sheets



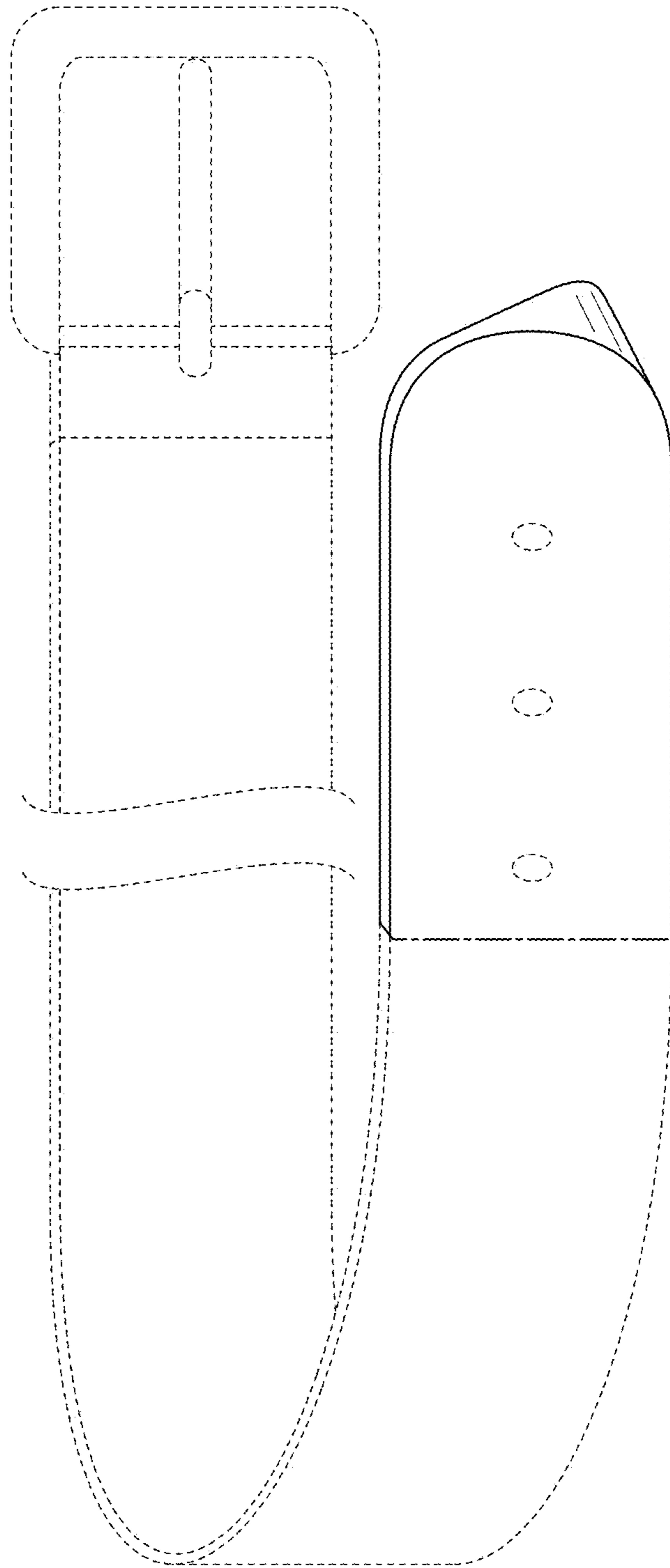


FIG. 1

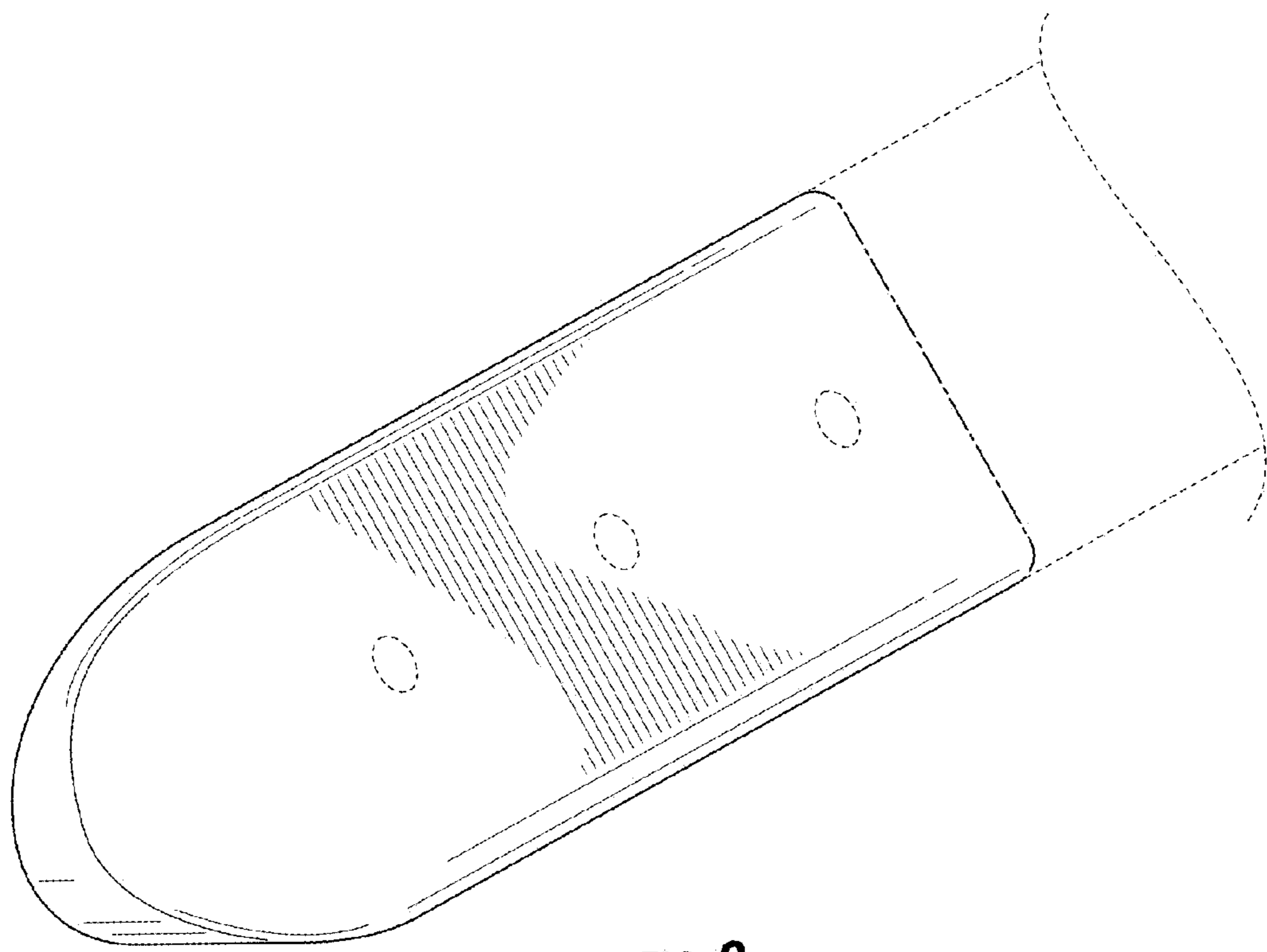


FIG. 2

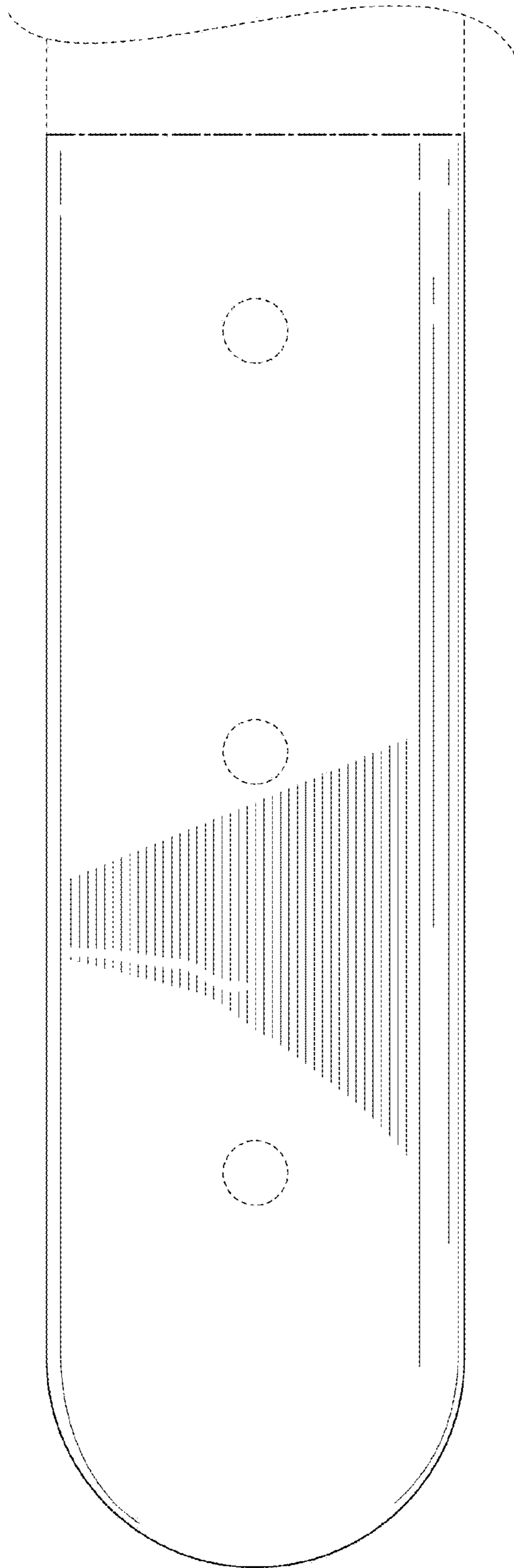


FIG. 3

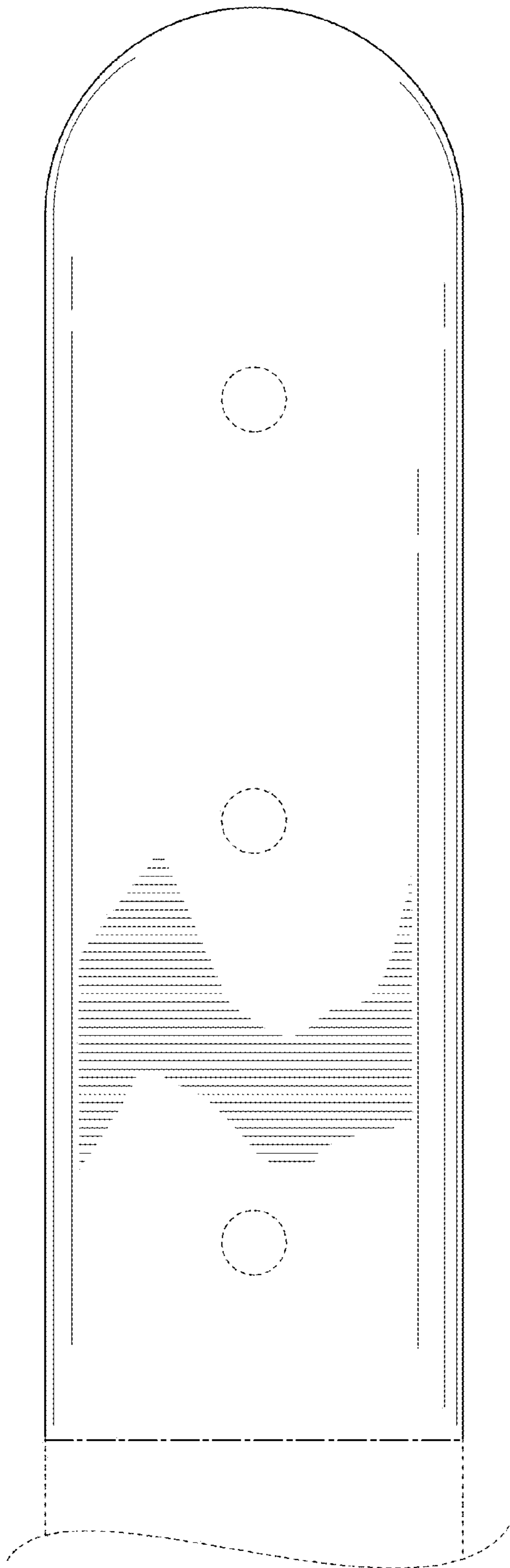


FIG. 4

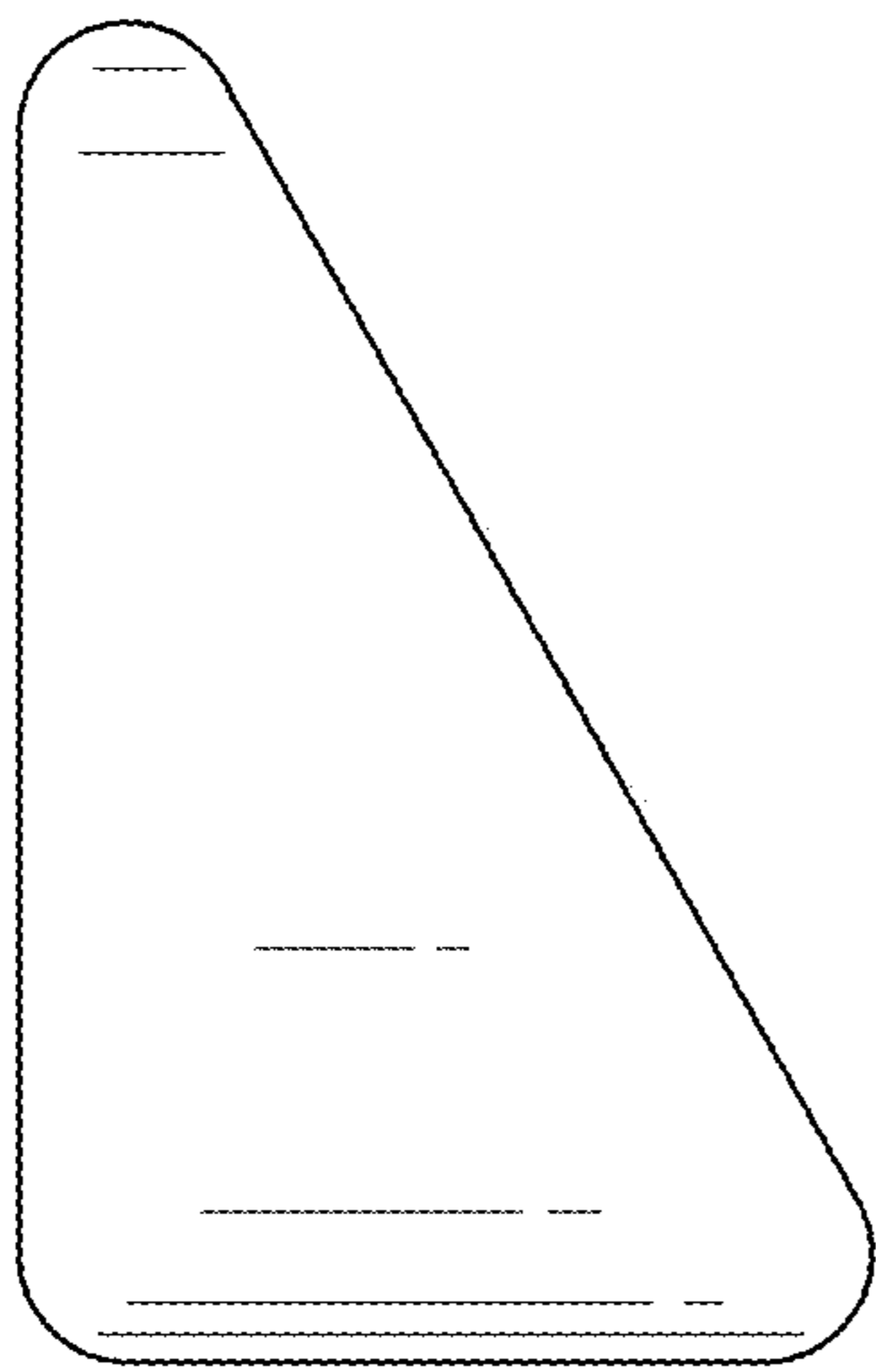


FIG. 5

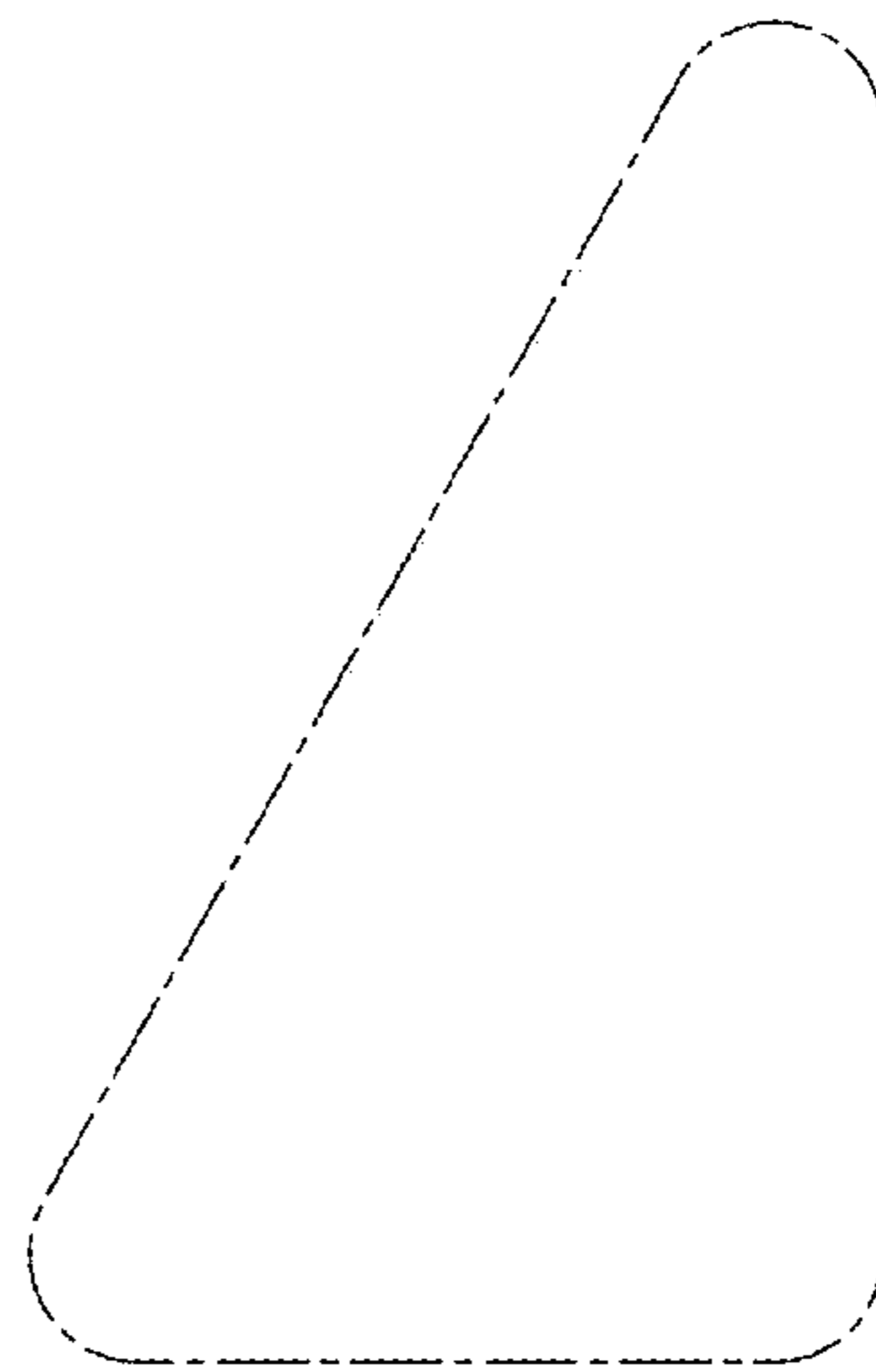


FIG. 6

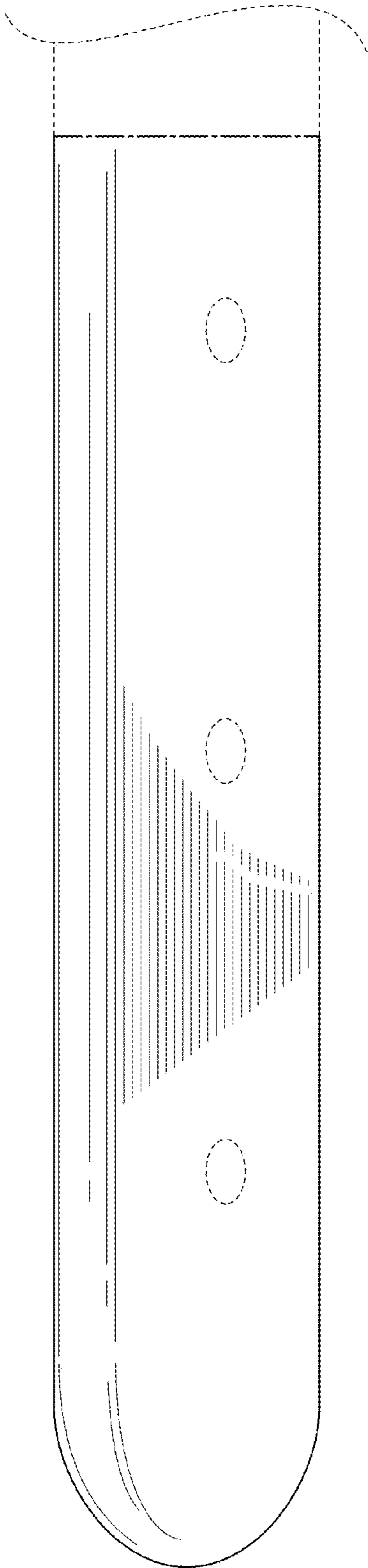


FIG. 7

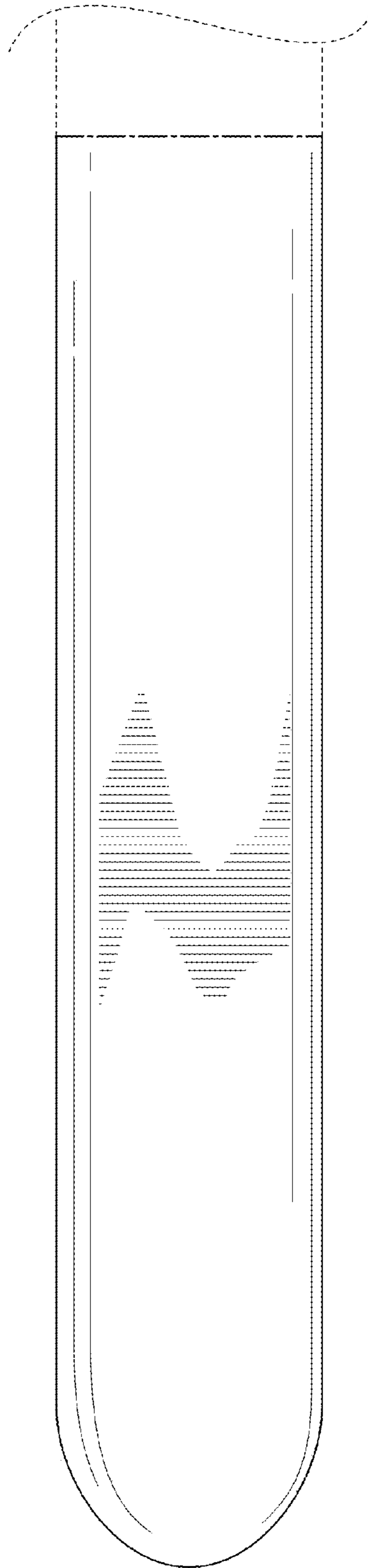


FIG. 8

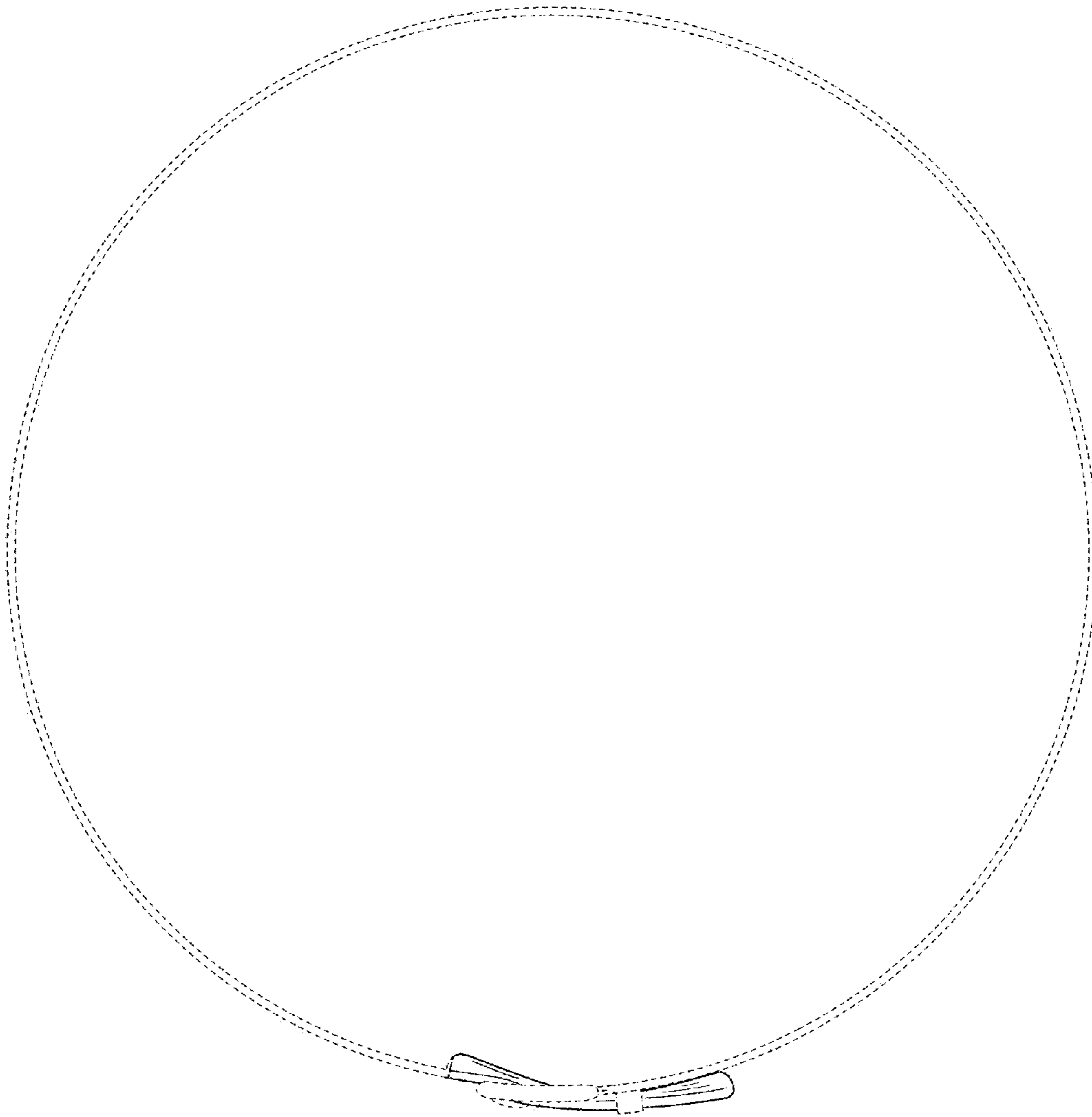


FIG. 9

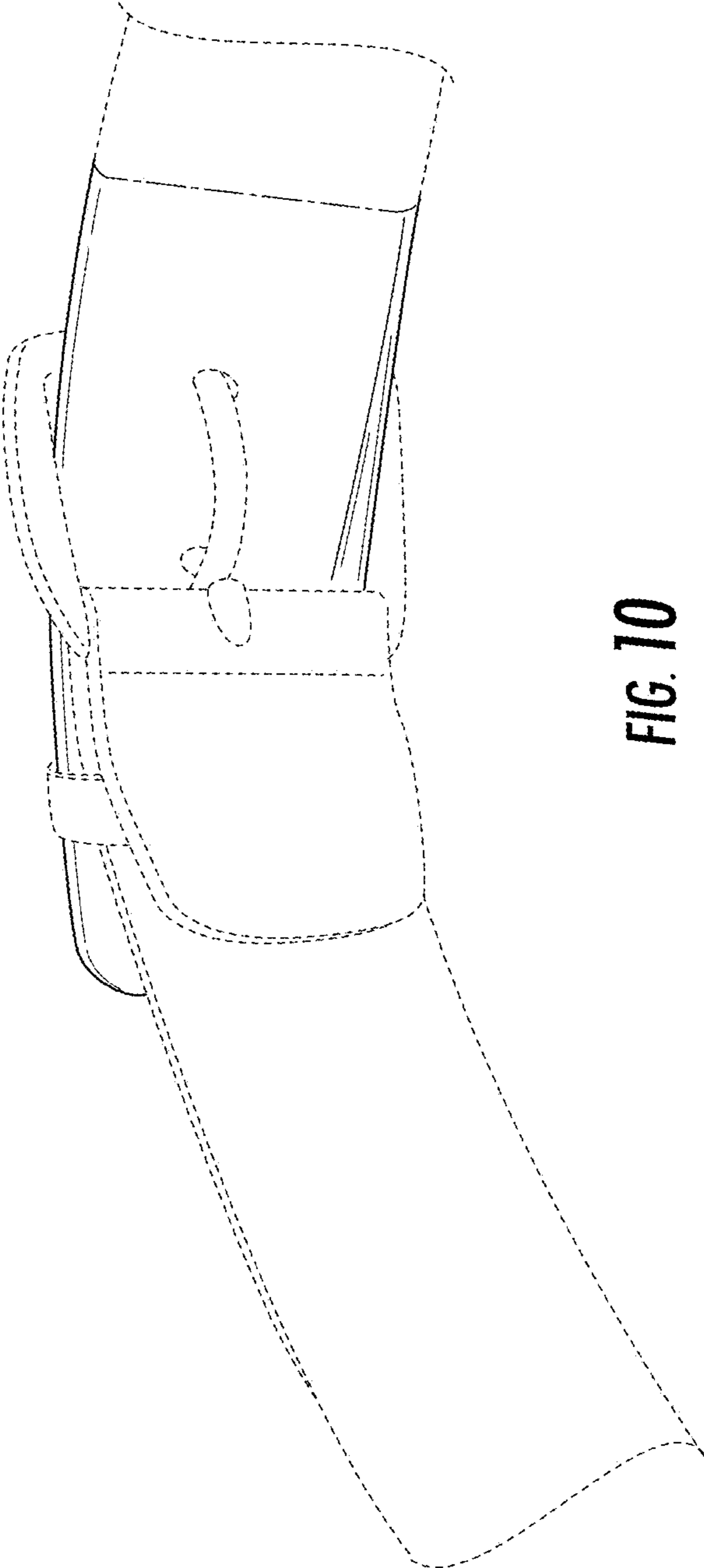


FIG. 10