



US00D767248S

(12) **United States Design Patent** (10) **Patent No.:** **US D767,248 S**
Rogers et al. (45) **Date of Patent:** **** Sep. 27, 2016**

- (54) **SUPPORT STRAP**
- (71) Applicant: **L.A.D. GLOBAL ENTERPRISES, INC.**, Olathe, KS (US)
- (72) Inventors: **Kurk Rogers**, San Diego, CA (US);
Kyle Davis, St. Petersburg, FL (US)
- (73) Assignee: **L. A. D. Global Enterprises, Inc.**,
Olathe, KS (US)
- (**) Term: **14 Years**
- (21) Appl. No.: **29/520,647**
- (22) Filed: **Mar. 17, 2015**
- (51) **LOC (10) Cl.** **02-07**
- (52) **U.S. Cl.**
USPC **D2/624**
- (58) **Field of Classification Search**
USPC D2/624-627, 631, 639-641, 999;
D3/226, 227, 230; D11/221; D24/190
CPC A41F 1/02; A41F 11/02; A41F 11/16;
A41F 15/00; A41F 3/02; A41F 9/00; A41F
9/002; A44B 19/262; A45F 2003/006;
B42F 1/01; B60R 2022/006
See application file for complete search history.

- (56) **References Cited**
U.S. PATENT DOCUMENTS
D7,243 S * 3/1874 Flagg D2/640
489,727 A * 1/1893 Baldwin A44B 13/0017
24/265 A
1,824,027 A * 9/1931 Lundquist B66C 1/18
190/27
2,272,314 A * 2/1942 Williams A47J 43/18
294/141
2,723,067 A * 11/1955 Fretz A45F 5/10
294/152
3,143,266 A * 8/1964 Imatake A45F 5/10
206/150
D249,386 S * 9/1978 Zacuto 224/258

- 5,035,523 A * 7/1991 Allinder A41F 9/002
15/104.94
- 5,234,245 A * 8/1993 Peterson B65D 63/1027
294/149
- 5,297,834 A * 3/1994 Vanarnem A61G 7/1023
294/140
- 5,439,265 A * 8/1995 Plante F16L 3/00
294/152
- D362,327 S * 9/1995 Nelson D34/28
- D403,958 S * 1/1999 Stepek D9/434
- D470,793 S * 2/2003 Horn D11/200
- 6,671,899 B1 * 1/2004 Oja A61G 7/1023
5/81.1 T
- D629,997 S * 1/2011 Voga D2/639
- D664,890 S * 8/2012 Featherston D11/201
- D665,963 S 8/2012 Liljedahl
- 2003/0009816 A1 * 1/2003 Roome A41F 9/002
2/338

* cited by examiner

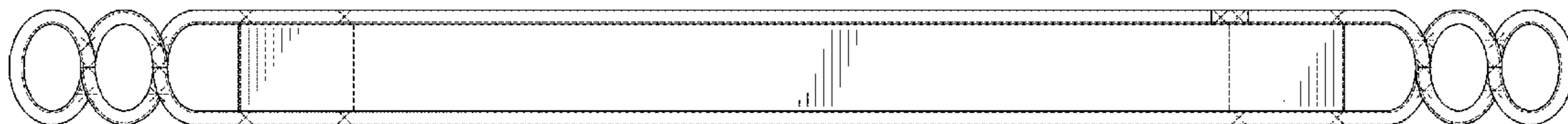
Primary Examiner — Celia Murphy
Assistant Examiner — Clare Ann Gannon
(74) *Attorney, Agent, or Firm* — Erickson Kernell IP, LLC

(57) **CLAIM**
The ornamental design for a support strap, as shown and described.

DESCRIPTION

FIG. 1 is a top view of a support strap in an extended position;
FIG. 2 is a top perspective view of the support strap as shown in FIG. 1;
FIG. 3 is a bottom view of the support strap as shown in FIG. 1;
FIG. 4 is a bottom perspective view of the support strap as shown in FIG. 2;
FIG. 5 is a side view of the support strap as shown in FIG. 1; and,
FIG. 6 is an opposed side view of the support strap as shown in FIG. 5.
The broken lines in the drawings illustrate stitching.

1 Claim, 3 Drawing Sheets



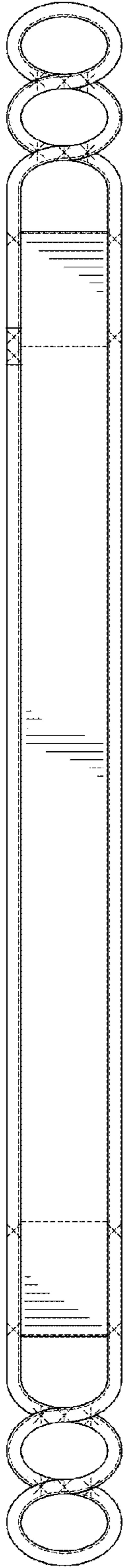


Fig. 1

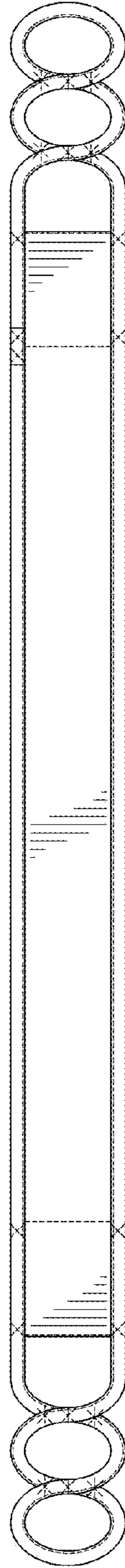


Fig. 3

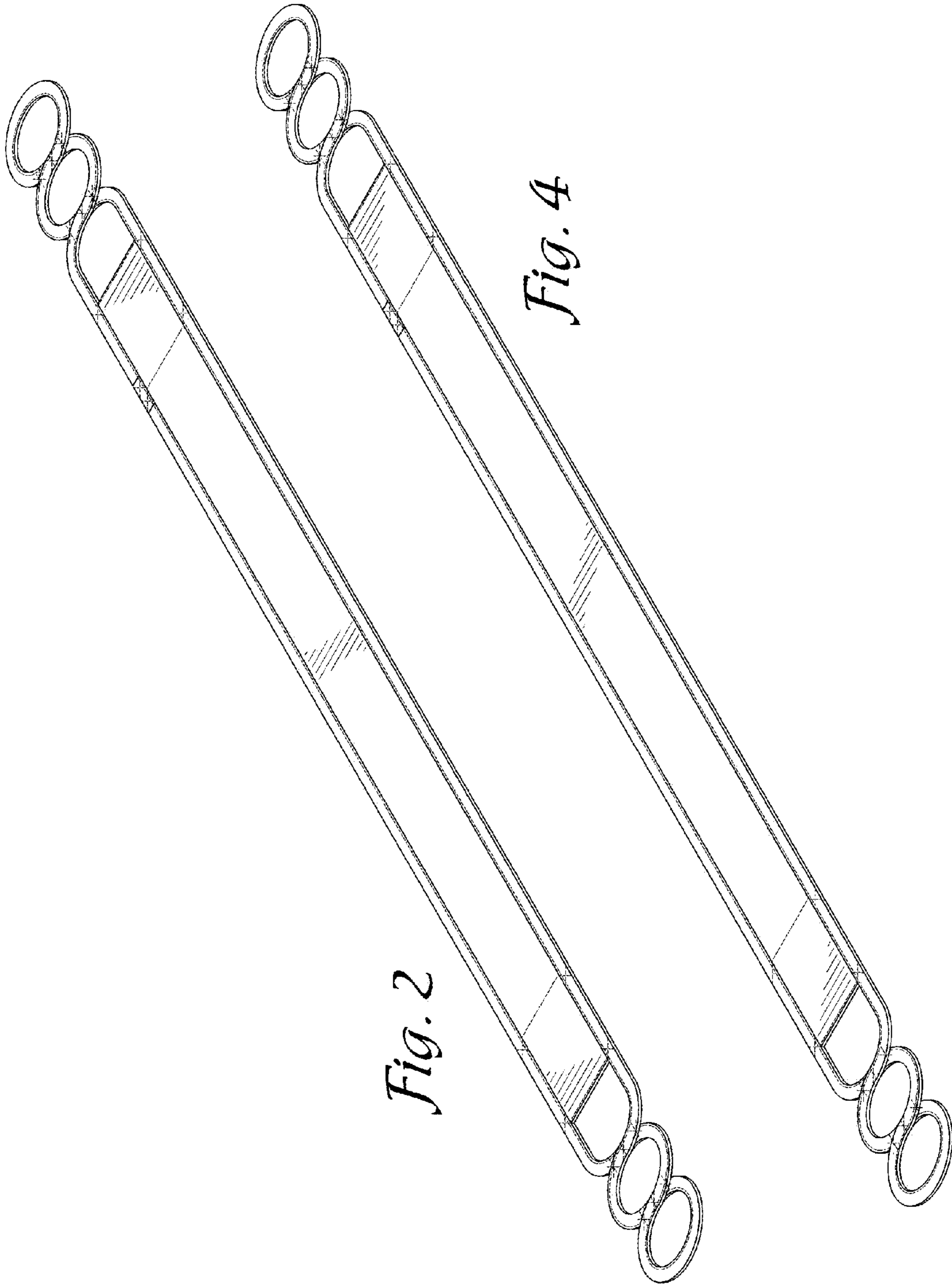


Fig. 2

Fig. 4



Fig. 5



Fig. 6