

US00D767240S

(12) **United States Design Patent**
Baruck

(10) **Patent No.:** **US D767,240 S**

(45) **Date of Patent:** **** Sep. 20, 2016**

(54) **POST COVER**

(71) Applicant: **Glenn Baruck**, Northbrook, IL (US)

(72) Inventor: **Glenn Baruck**, Northbrook, IL (US)

(**) Term: **14 Years**

(21) Appl. No.: **29/526,236**

(22) Filed: **May 7, 2015**

(51) **LOC (10) Cl.** **99-00**

(52) **U.S. Cl.**
USPC **D99/43**

(58) **Field of Classification Search**
USPC D99/28, 29, 30, 31, 32, 43, 99; D20/10,
D20/11; 116/173; 232/17, 19, 20, 27, 38, 39
CPC A47G 29/12; A47G 29/1203; A47G
29/1209; A47G 29/1216; A47G 29/16;
A47G 29/00
See application file for complete search history.

(56) **References Cited**

U.S. PATENT DOCUMENTS

3,243,104	A *	3/1966	Fillion	A47G 29/1203 232/29
D273,528	S *	4/1984	Thomas	D99/32
D322,877	S *	12/1991	Roach	D99/32
5,869,159	A *	2/1999	Padilla	B32B 7/12 138/139
6,363,644	B1 *	4/2002	Frost	G09F 15/00 40/538
D487,180	S *	2/2004	Lanzi	D99/43
D499,225	S *	11/2004	Taylor	D99/29

D503,844	S *	4/2005	Taylor	D99/32
D503,845	S *	4/2005	Taylor	D99/32
D556,974	S *	12/2007	Speir	D20/19
D556,975	S *	12/2007	Speir	D20/19
8,769,851	B2 *	7/2014	Picard	G09F 13/00 40/606.12

* cited by examiner

Primary Examiner — Elizabeth J Oswecki

(74) *Attorney, Agent, or Firm* — Stephen T. Scherrer;
Monique A. Morneault; Scherrer Patent & Trademark Law,
P.C.

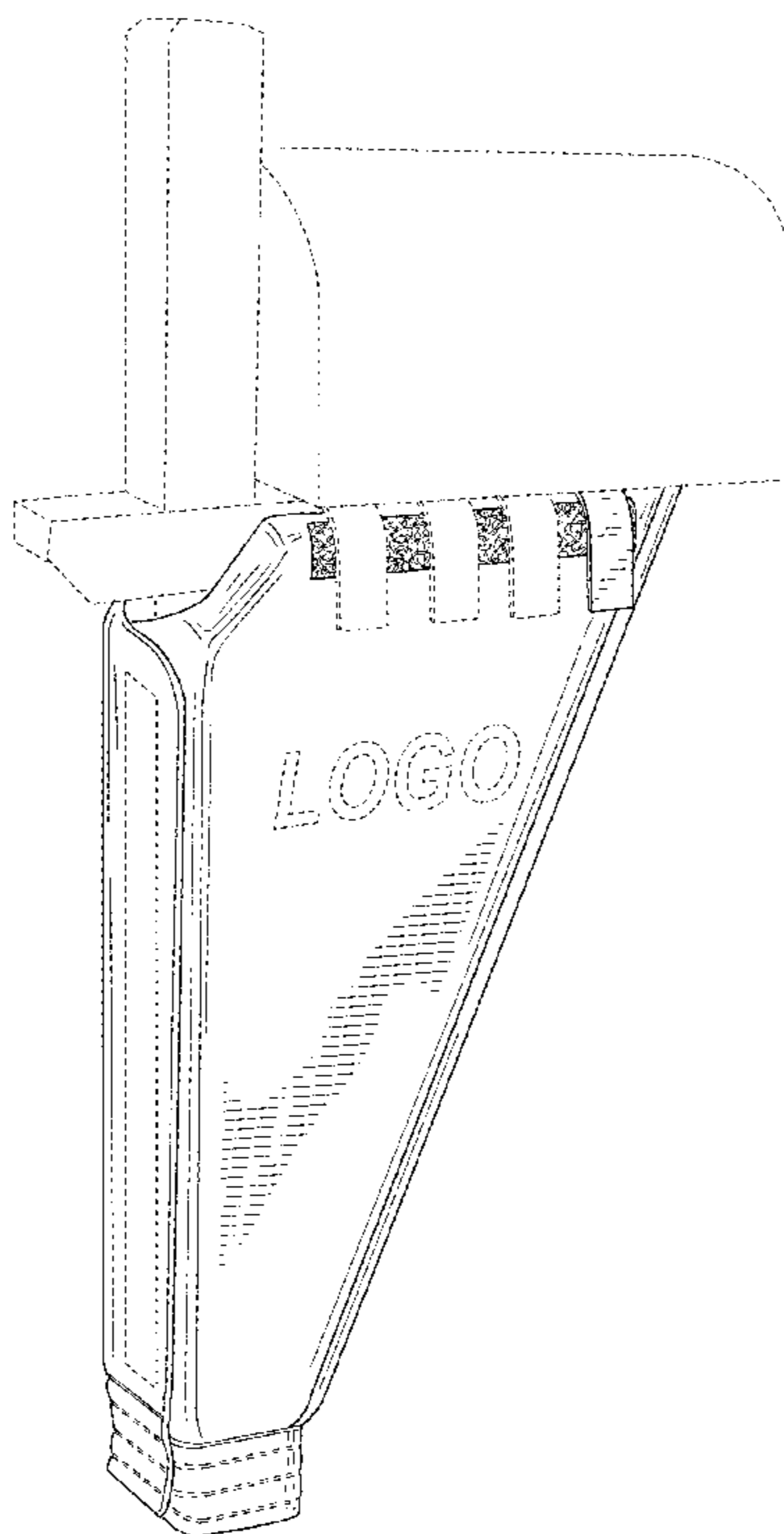
(57) **CLAIM**

The ornamental design for a post cover, as shown and described.

DESCRIPTION

FIG. 1 is a perspective view of a post cover showing my new design;
FIG. 2 is a left side view thereof;
FIG. 3 is a right side view thereof;
FIG. 4 is a front view thereof;
FIG. 5 is a rear view thereof;
FIG. 6 is a top plan view thereof;
FIG. 7 is a top plan view thereof, with the mailbox removed for ease of illustration; and,
FIG. 8 is a bottom plan view thereof.
The broken lines showing are included for the purpose of illustrating portions of the article that form no part of the claimed design.

1 Claim, 5 Drawing Sheets



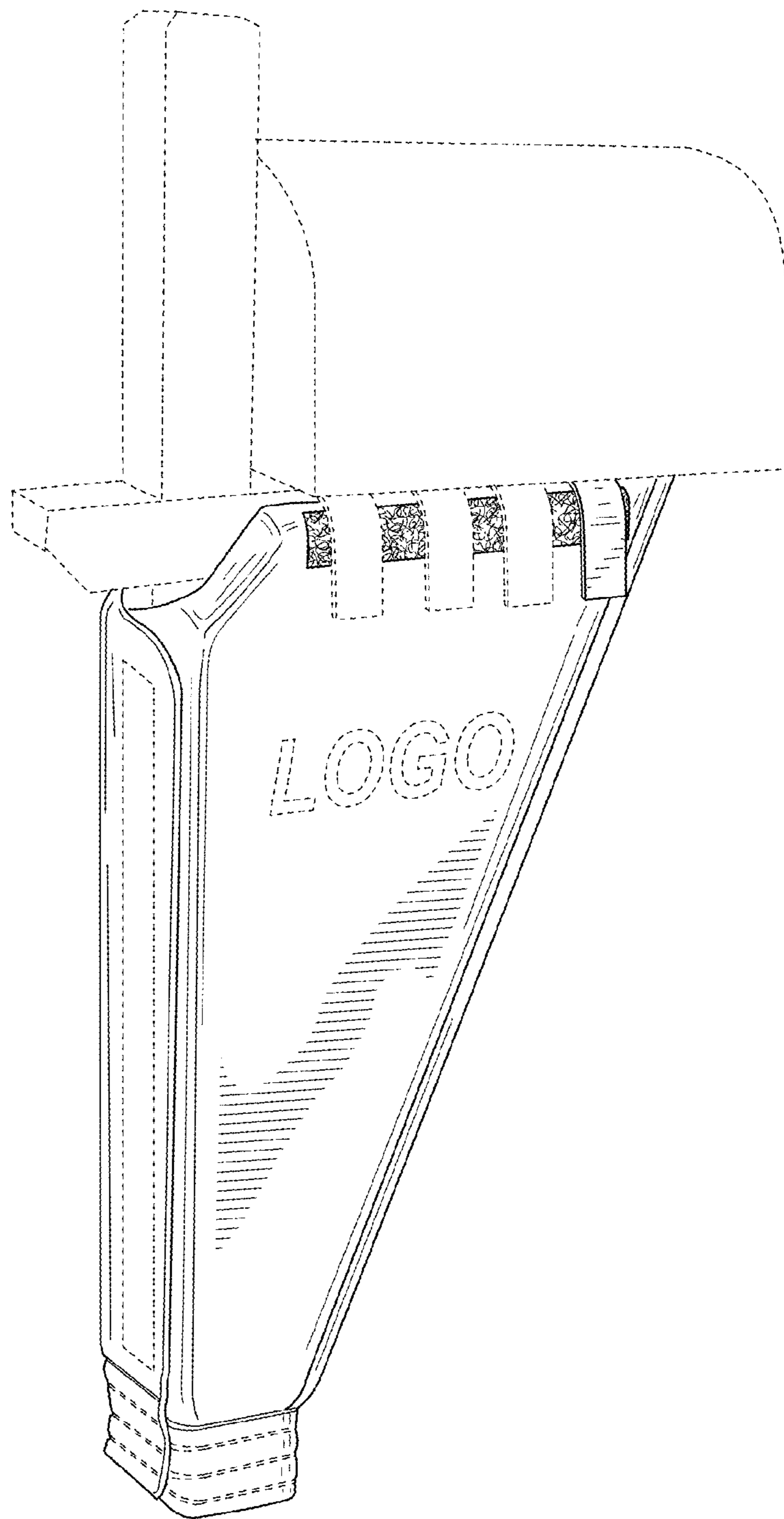


FIG. 1

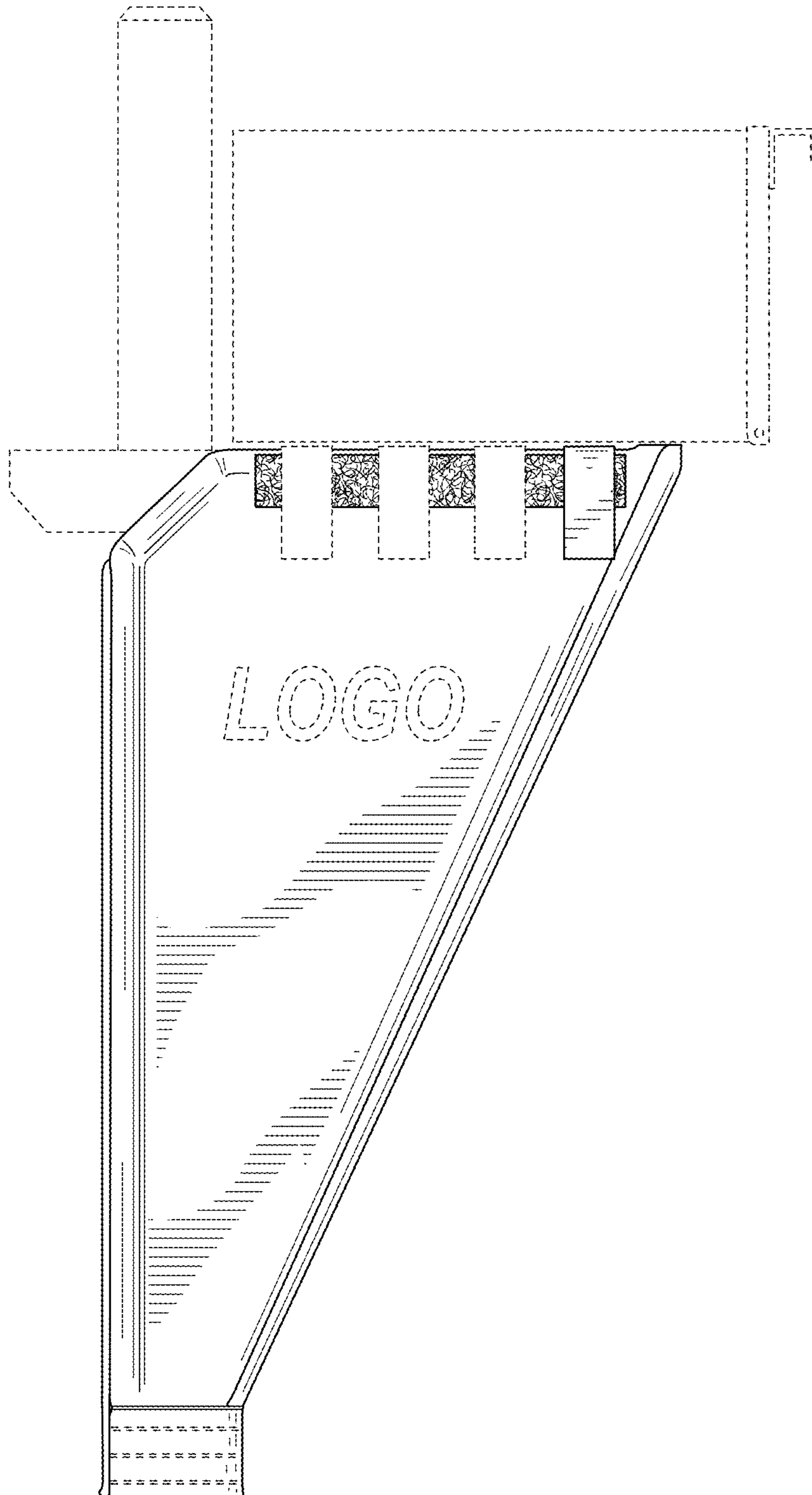


FIG. 2

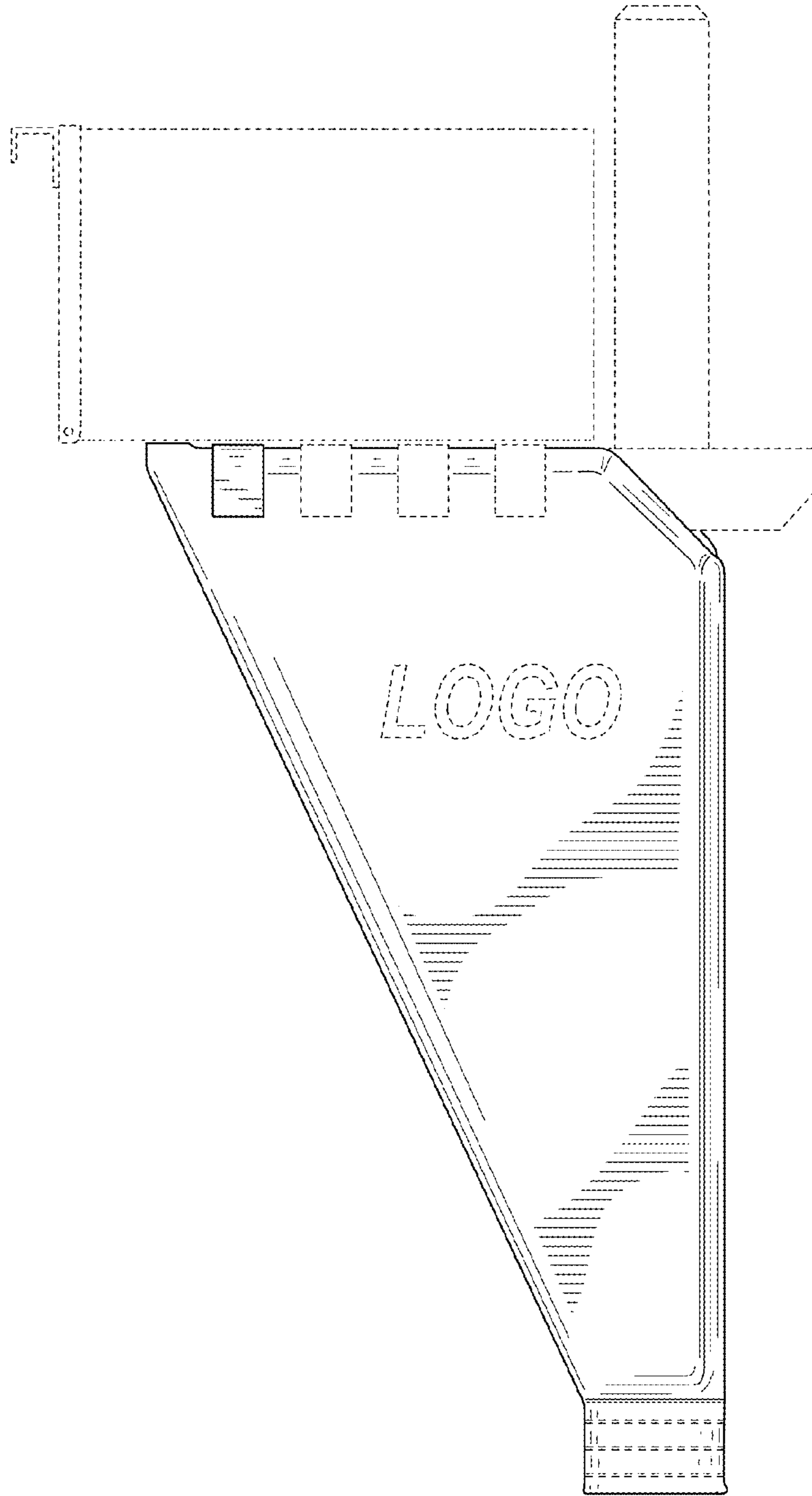


FIG. 3

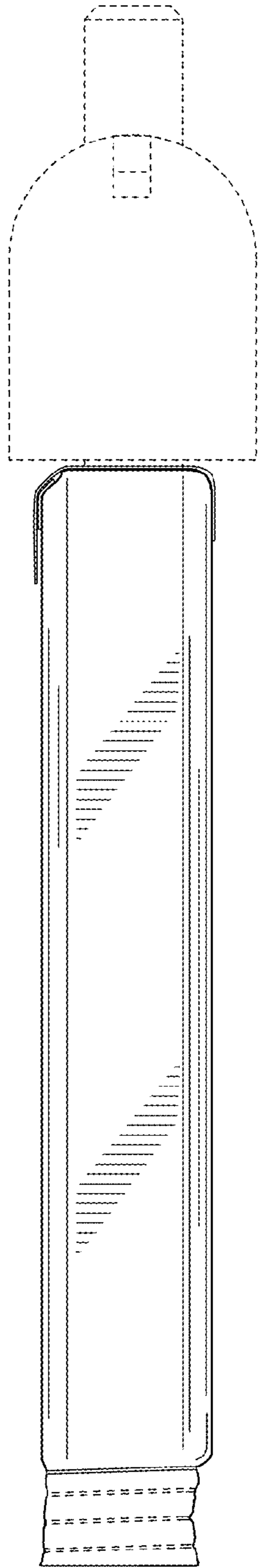


FIG. 4

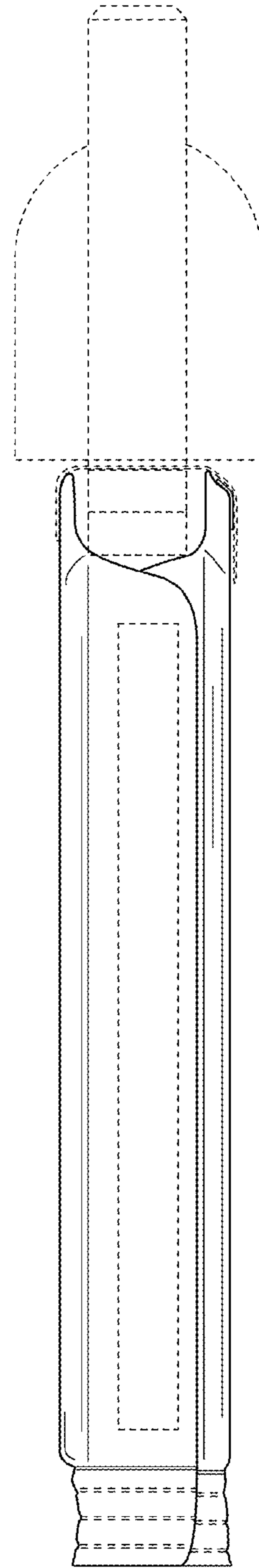


FIG. 5

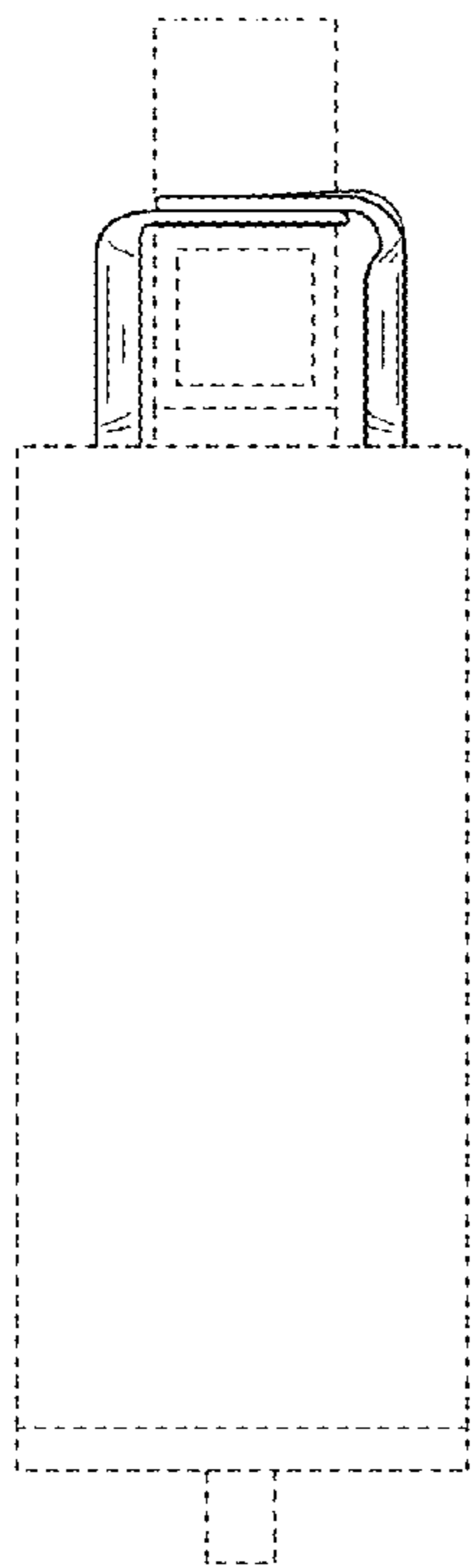


FIG. 6

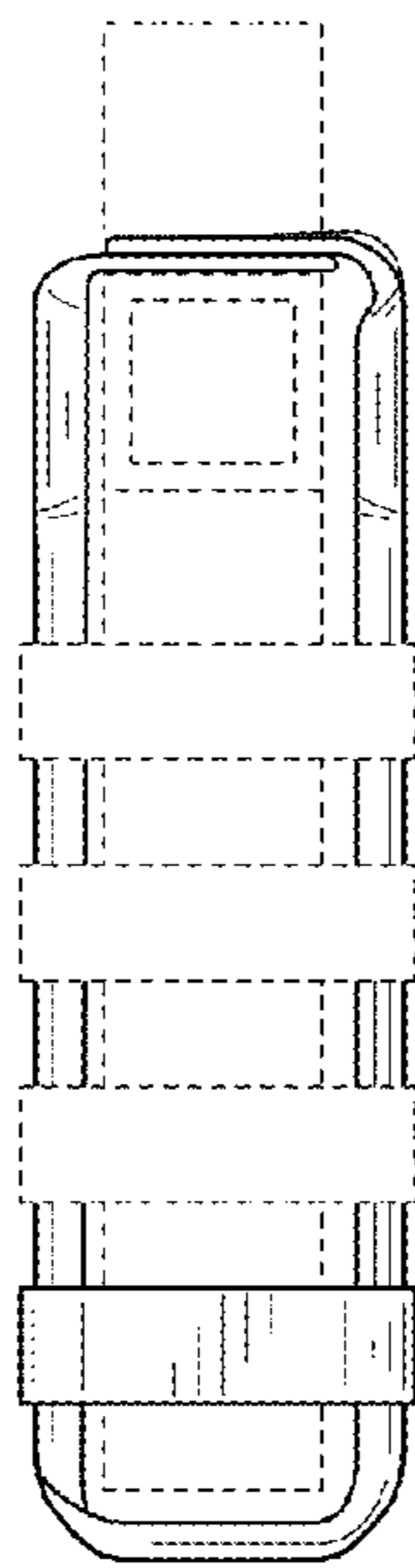


FIG. 7

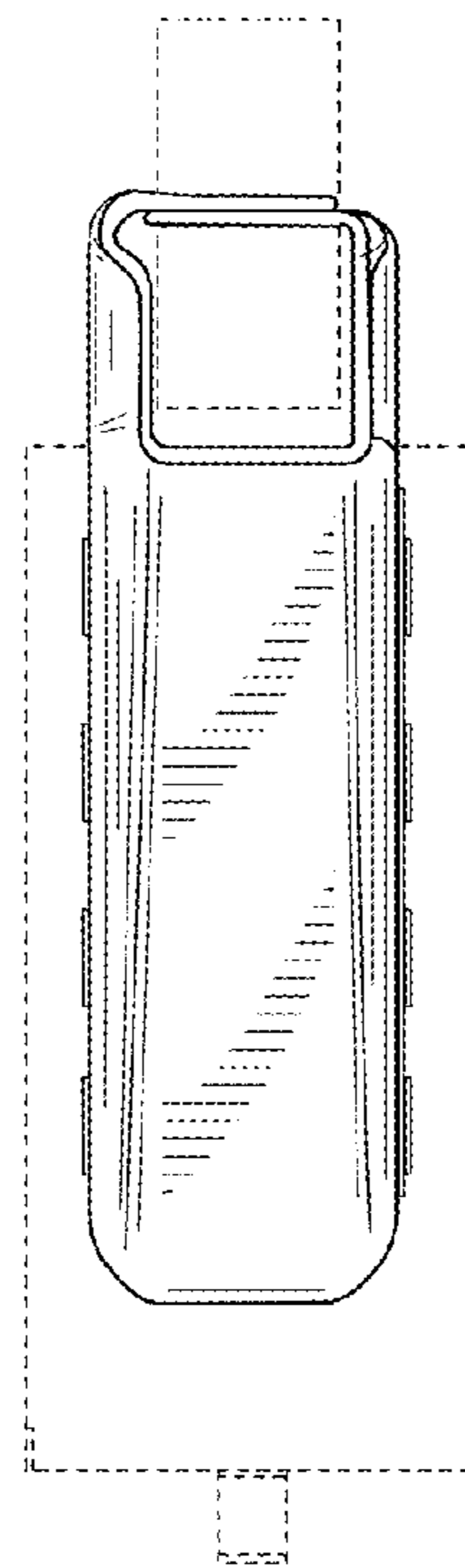


FIG. 8