

US00D767239S

(12) **United States Design Patent** (10) **Patent No.:** **US D767,239 S**
Umeda (45) **Date of Patent:** **** Sep. 20, 2016**

(54) **COIN DEPOSITING AND DISPENSING APPARATUS**

(71) Applicant: **Asahi Seiko Kabushiki Kaisha**, Tokyo (JP)

(72) Inventor: **Masayoshi Umeda**, Saitama (JP)

(73) Assignee: **ASAHI SEIKO KABUSHIKI KAISHA** (JP)

(**) Term: **15 Years**

(21) Appl. No.: **29/542,626**

(22) Filed: **Oct. 15, 2015**

(30) **Foreign Application Priority Data**

Jun. 29, 2015 (JP) 2015-014259

(51) **LOC (10) Cl.** **99-00**

(52) **U.S. Cl.**
USPC **D99/34**

(58) **Field of Classification Search**

USPC D99/28, 34, 35, 36, 43, 99; D18/3.1, D18/3.3, 12, 12.1, 46, 47, 49; D14/900, D14/901, 902; D20/1, 2, 4, 5, 6, 8, 9
 CPC G07F 9/06; G07F 9/04; G07F 9/08; G07F 11/00; G07F 11/002; G07F 19/00; G07F 1/00; G07F 1/02; G07F 1/04; G07F 3/00; G07F 3/04; G07F 7/00; G07F 7/005; G07F 7/04; G07F 11/62; A47F 1/08; G01D 1/00; G01D 1/02; G01D 1/04; G01D 1/06; G01D 1/08; G01D 3/00; G01D 3/02; G01D 3/12; G01D 3/14; G01D 3/16; G01D 9/00; G01D 9/002; G01D 9/004; G01D 9/006; G01D 9/008; G01D 9/02; G01D 9/04; G01D 11/00; G01D 11/0021; G01D 11/0087; G01D 11/009; G01D 11/0093; G01D 13/00; G01D 2201/00

See application file for complete search history.

(56) **References Cited**

U.S. PATENT DOCUMENTS

D96,304 S *	7/1935	Farber	D99/35
D103,605 S *	3/1937	Zell	D99/35
D200,038 S *	1/1965	Wilmer	D3/249
D279,577 S *	7/1985	Kajita	D18/3.3
D281,368 S *	11/1985	Catelli	D99/35
D282,307 S *	1/1986	Nishida	D18/3.3
D285,858 S *	9/1986	Ooki	D99/28
D335,149 S *	4/1993	Dabrowski	D20/1
D343,717 S *	1/1994	Nakajima	D99/34
D371,887 S *	7/1996	Minagawa	D99/28
D448,040 S *	9/2001	Forslund	D18/3.1
D477,902 S *	7/2003	Bergeron	D18/3.3
D483,057 S *	12/2003	Bergeron	D18/3.3
D523,468 S *	6/2006	Umeda	D18/3.1
D540,391 S *	4/2007	Irie	D20/9
D574,125 S *	7/2008	Gunst	D99/28
D663,765 S *	7/2012	Bleck	D18/3.3
D669,525 S *	10/2012	Bleck	D18/3.3
D671,164 S *	11/2012	Bleck	D18/3.3
D719,315 S *	12/2014	Berger	D99/28
D724,813 S *	3/2015	Umeda	D99/34

(Continued)

Primary Examiner — Elizabeth J Oswecki

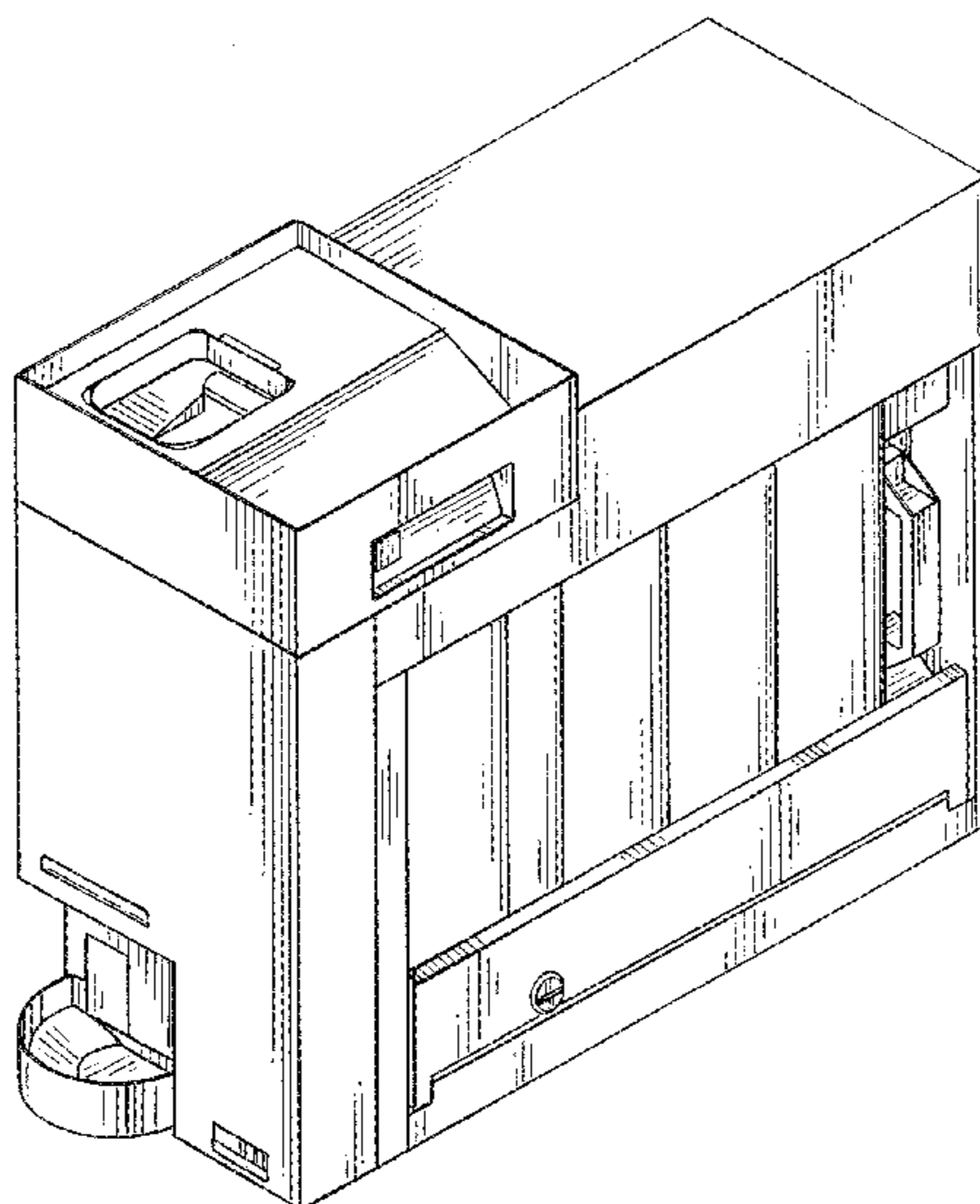
(57) **CLAIM**

The ornamental design for a coin depositing and dispensing apparatus, as shown and described.

DESCRIPTION

FIG. 1 is a front perspective view of a coin depositing and dispensing apparatus, showing my design;
 FIG. 2 is a front view thereof;
 FIG. 3 is a rear view thereof;
 FIG. 4 is a right side view thereof;
 FIG. 5 is a left side view thereof;
 FIG. 6 is a top view thereof; and,
 FIG. 7 is a bottom view thereof.

1 Claim, 7 Drawing Sheets



US D767,239 S

Page 2

(56)

References Cited

2007/0051582 A1* 3/2007 Bochonok G07D 1/02
194/202

U.S. PATENT DOCUMENTS

D725,865 S * 3/2015 Cho D99/28
2006/0175176 A1* 8/2006 Blake G07D 9/00
194/216

* cited by examiner

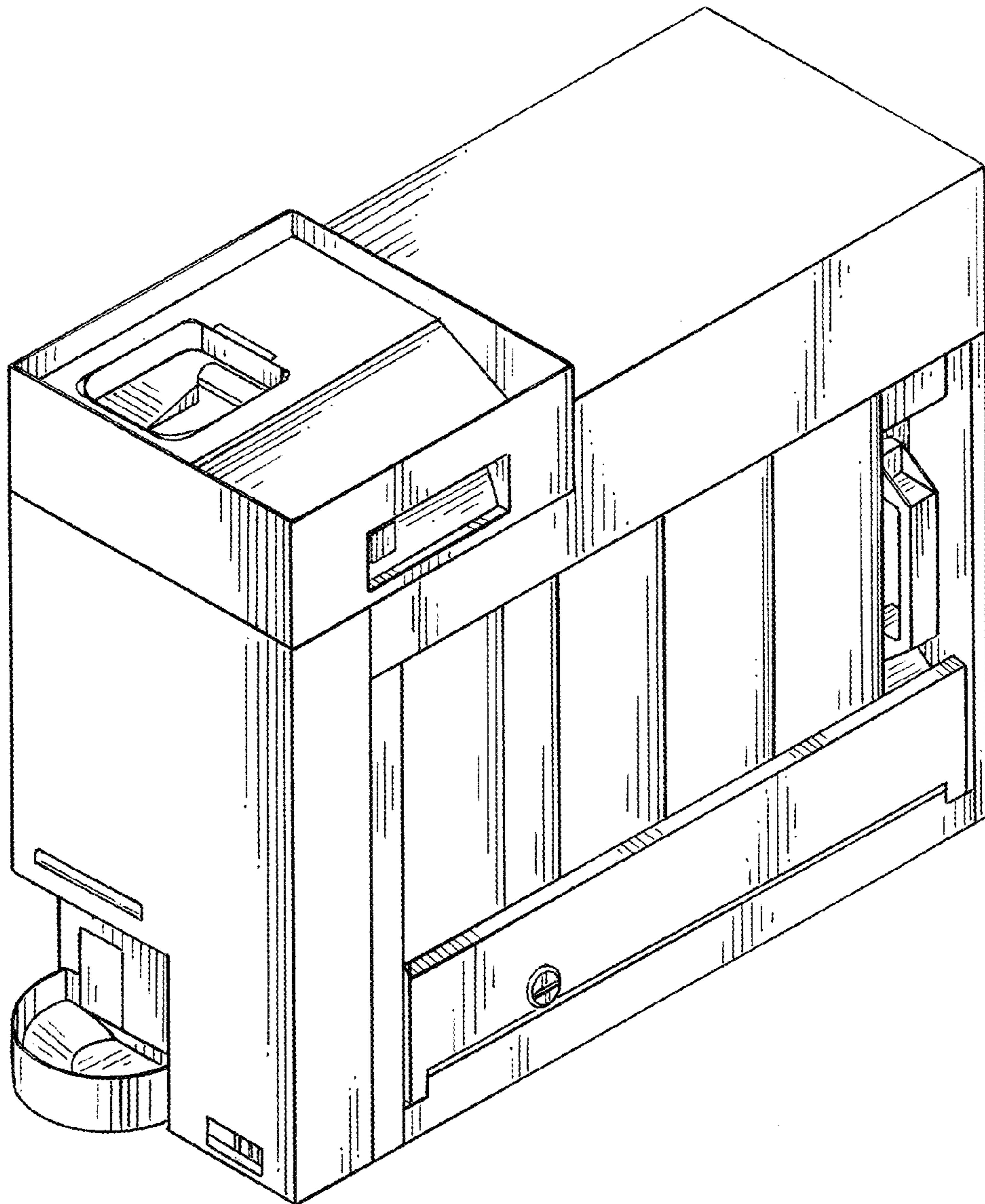


FIG. 1

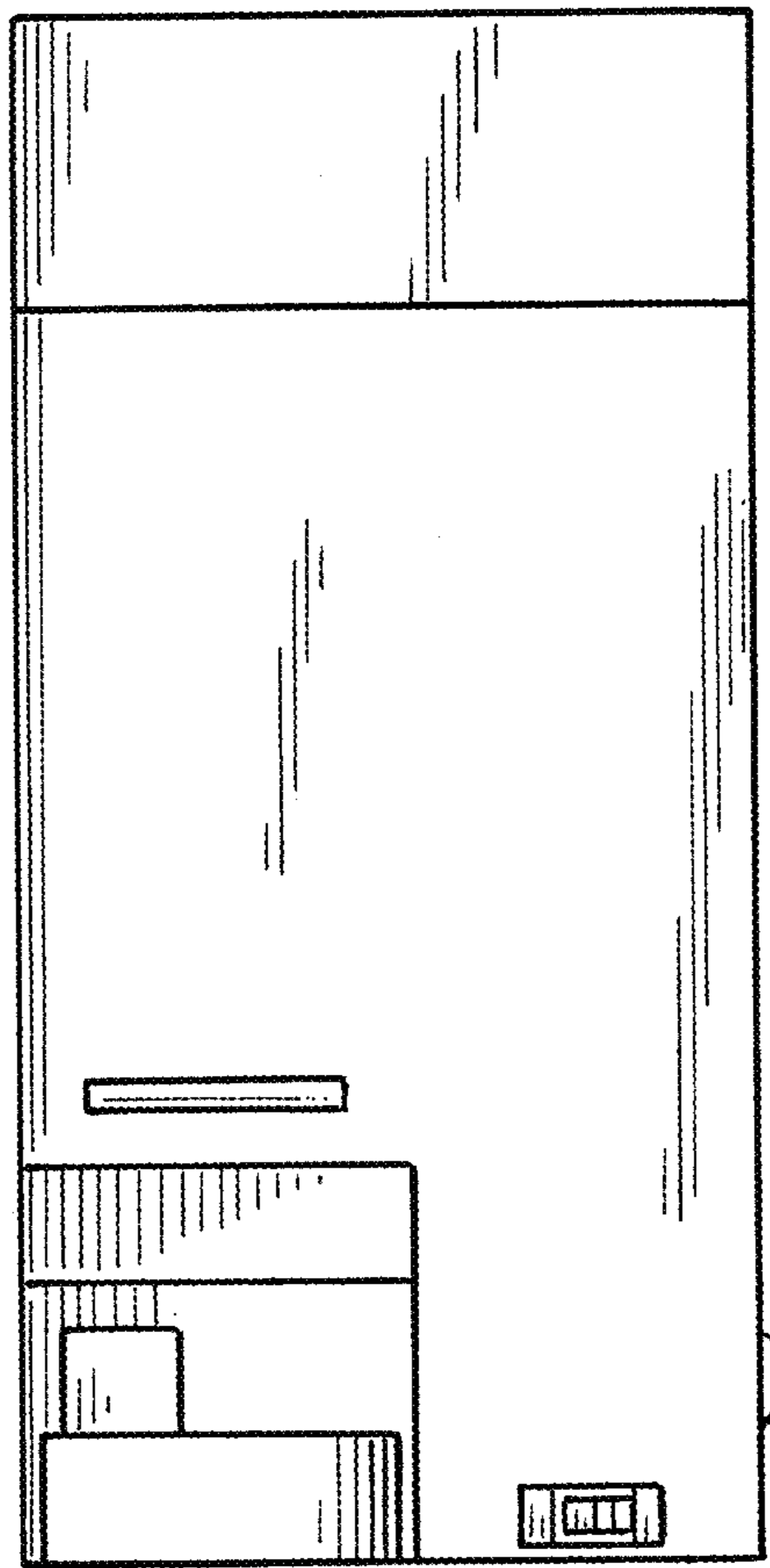


FIG. 2

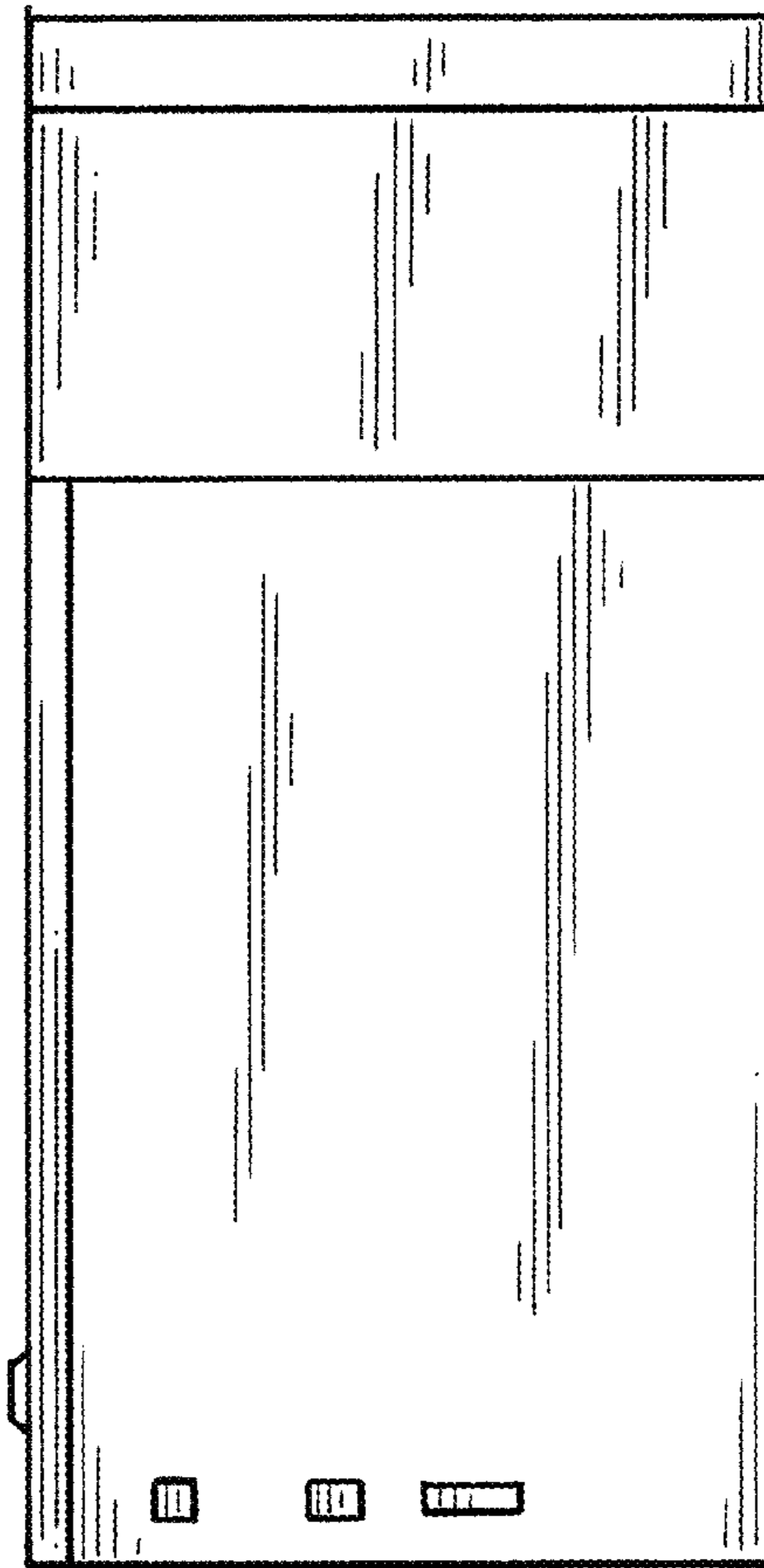


FIG. 3

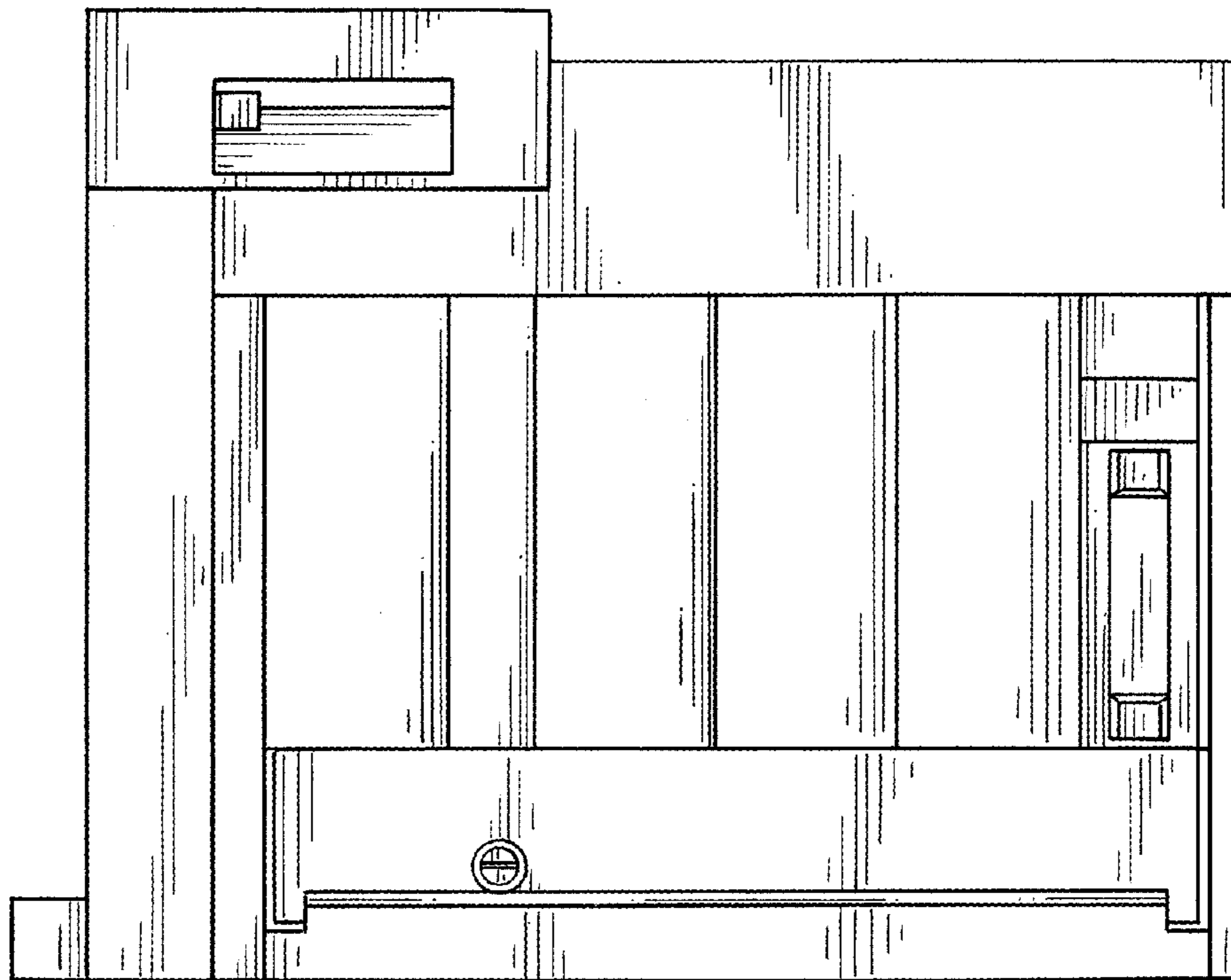


FIG. 4

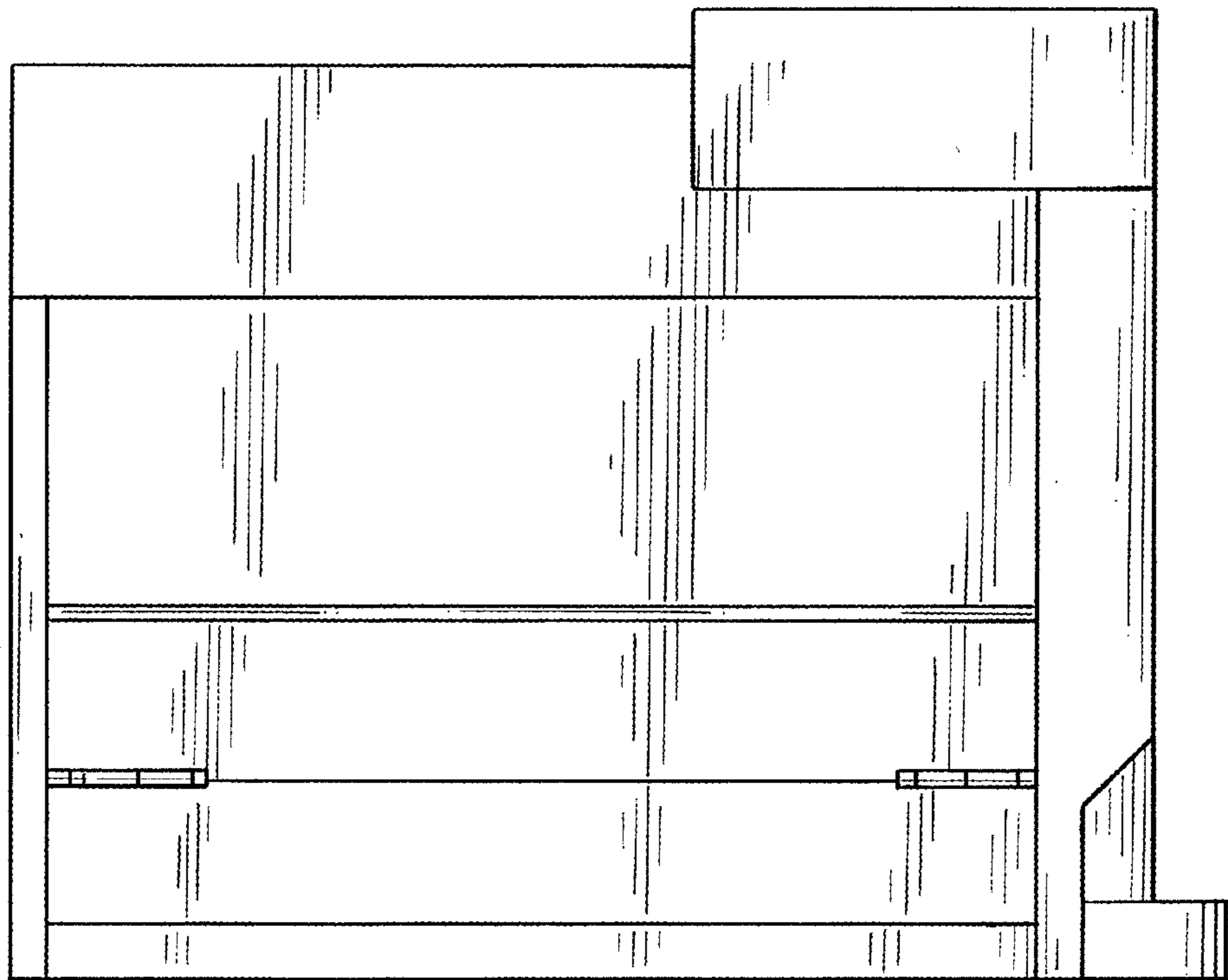


FIG. 5

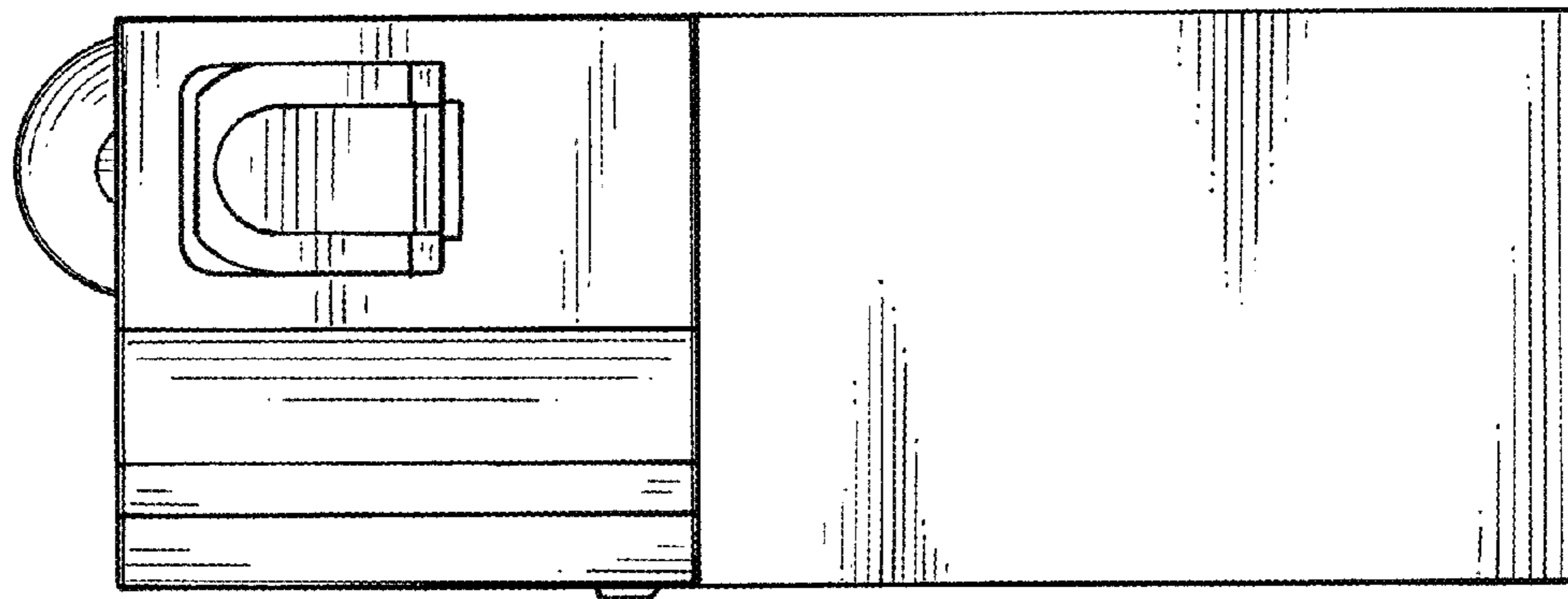


FIG. 6

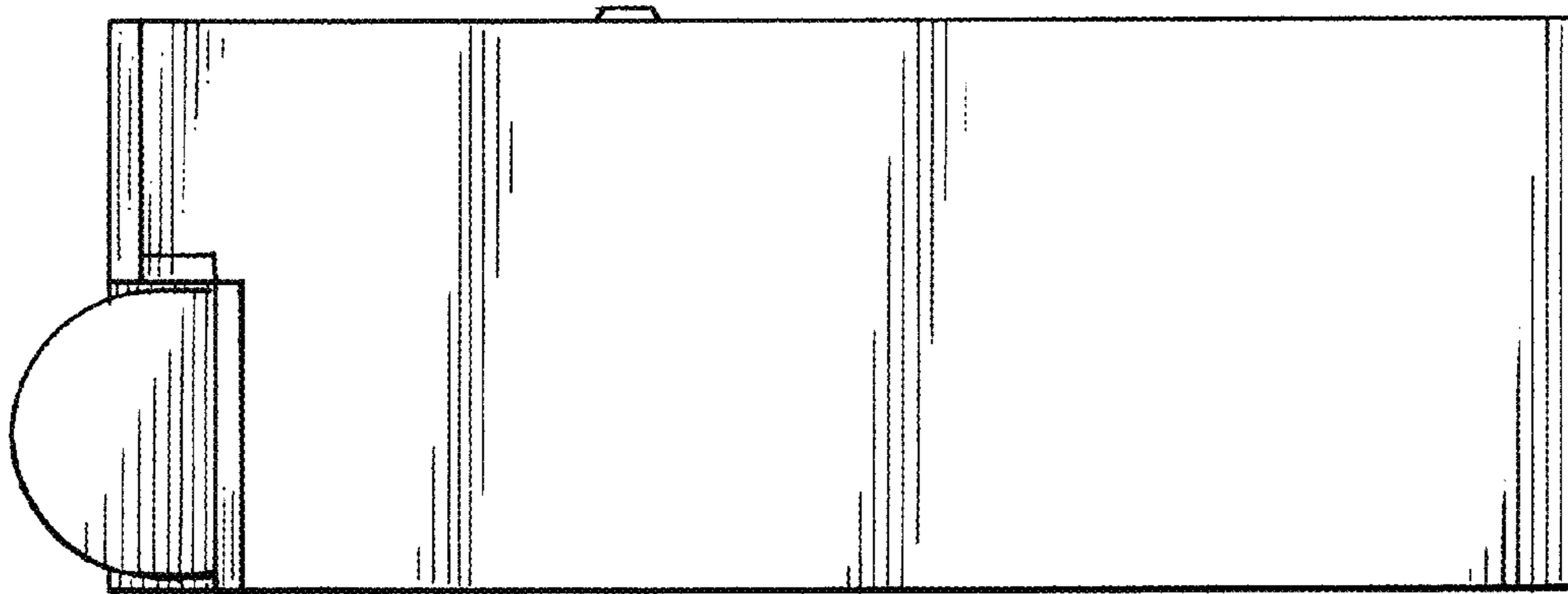


FIG. 7