

US00D767238S

(12) **United States Design Patent**
Jennings

(10) **Patent No.:** **US D767,238 S**

(45) **Date of Patent:** **** Sep. 20, 2016**

- (54) **CREMATION URN AND DISPLAY**
- (71) Applicant: **Allan W Jennings**, Plano, TX (US)
- (72) Inventor: **Allan W Jennings**, Plano, TX (US)
- (**) Term: **14 Years**
- (21) Appl. No.: **29/502,488**
- (22) Filed: **Sep. 17, 2014**

D479,380 S *	9/2003	Robinson	D99/5
D479,639 S *	9/2003	Robinson	D99/5
D479,640 S *	9/2003	Robinson	D99/5
D479,641 S *	9/2003	Robinson	D99/5
D479,900 S *	9/2003	Robinson	D99/5
6,735,831 B1 *	5/2004	Greiwe et al.	27/1
6,904,721 B1 *	6/2005	Forbes	52/103
D653,011 S *	1/2012	Myers	D99/5
D719,714 S *	12/2014	Khan	D99/5
D745,764 S *	12/2015	Jennings	D99/5

* cited by examiner

Related U.S. Application Data

- (63) Continuation-in-part of application No. 29/494,557, filed on Jun. 22, 2014, now Pat. No. Des. 745,764.
- (51) **LOC (10) Cl.** **99-00**
- (52) **U.S. Cl.**
USPC **D99/5**
- (58) **Field of Classification Search**
USPC D99/5, 17, 18, 19, 25; 27/1, 35;
D9/722; 40/124.5; 220/23.88
CPC A61G 17/08
See application file for complete search history.

Primary Examiner — Paula Greene

(74) *Attorney, Agent, or Firm* — Jeffrey Roddy

(57) **CLAIM**

I claim the ornamental design for a cremation urn and display, as shown and described.

DESCRIPTION

FIG. 1 is a front view of a cremation urn and display showing my new design;
 FIG. 2a is a right end view thereof;
 FIG. 2b is a left end view thereof;
 FIG. 3 is a back view thereof; and,
 FIG. 4 is a top down view thereof showing the central translucent dome of the urn.

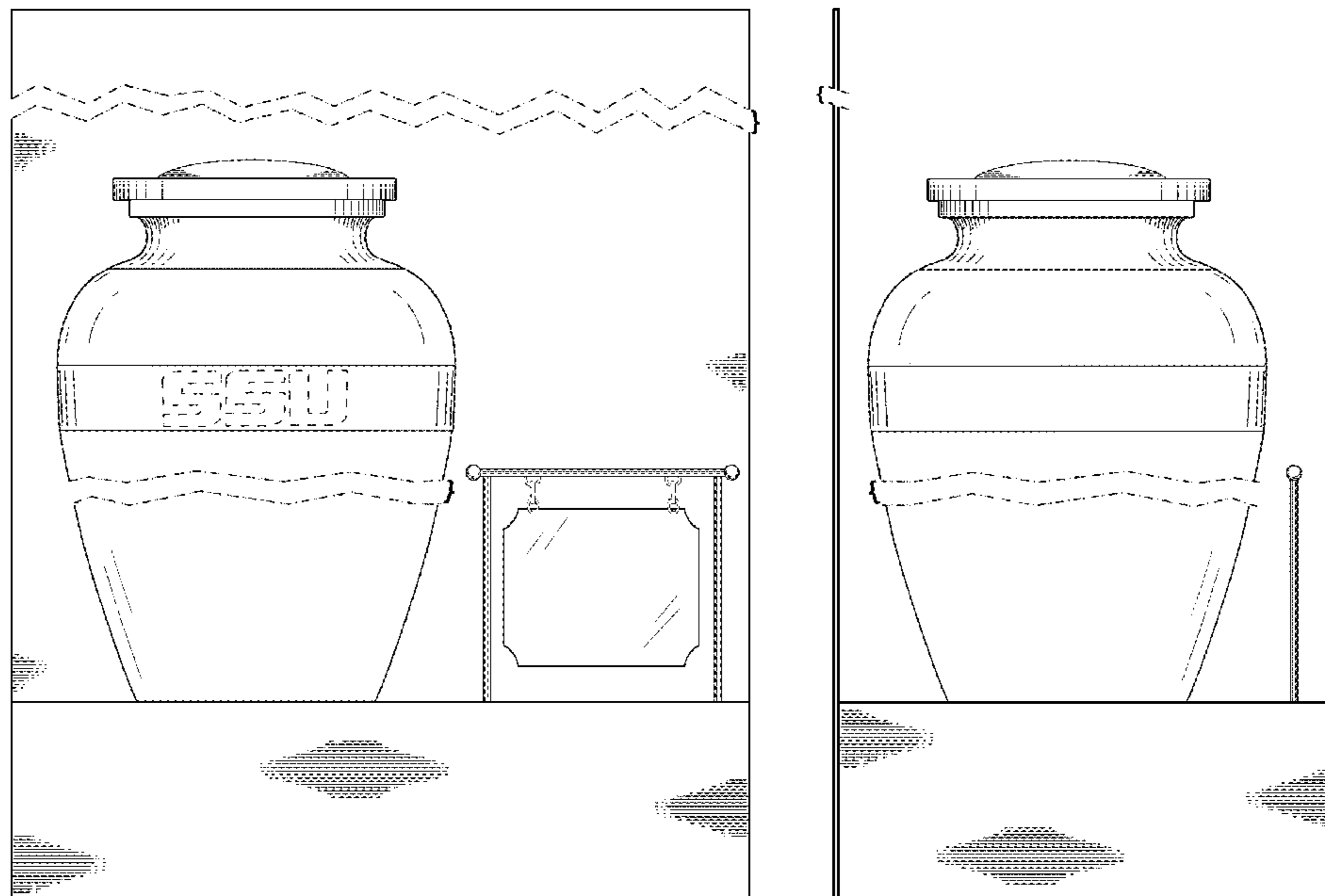
Areas on the plate and the urn between the jagged dash-dot-dot-dash lines are of indeterminate length. Textual indicia showing numbers or letters are for purposes of environmental illustration and forms no part of the claimed design. Dashed or broken lines showing form no part of the claimed design. Contour lines including vertical lines about the lid, concentric lines atop the lid and semi-circular lines atop the lid and shoulder of the urn indicate only shading or reflectivity and do not represent surface ornamentation.

(56) **References Cited**

U.S. PATENT DOCUMENTS

221,969 A *	11/1879	McMinn et al.	52/103
1,638,193 A *	8/1927	Forwood	40/124.5
2,094,129 A *	9/1937	Manahan	47/41.1
2,525,091 A *	10/1950	Brownawell	52/103
D182,849 S *	5/1958	Rettman	D99/19
D233,318 S *	10/1974	Moberly	D9/722
4,811,996 A *	3/1989	Hansson	312/132
5,704,103 A *	1/1998	Crowley et al.	27/1
D390,323 S *	2/1998	Parker et al.	D99/19
D395,122 S *	6/1998	Dunlop	D99/5
D438,685 S *	3/2001	Robinson	D99/5

1 Claim, 5 Drawing Sheets



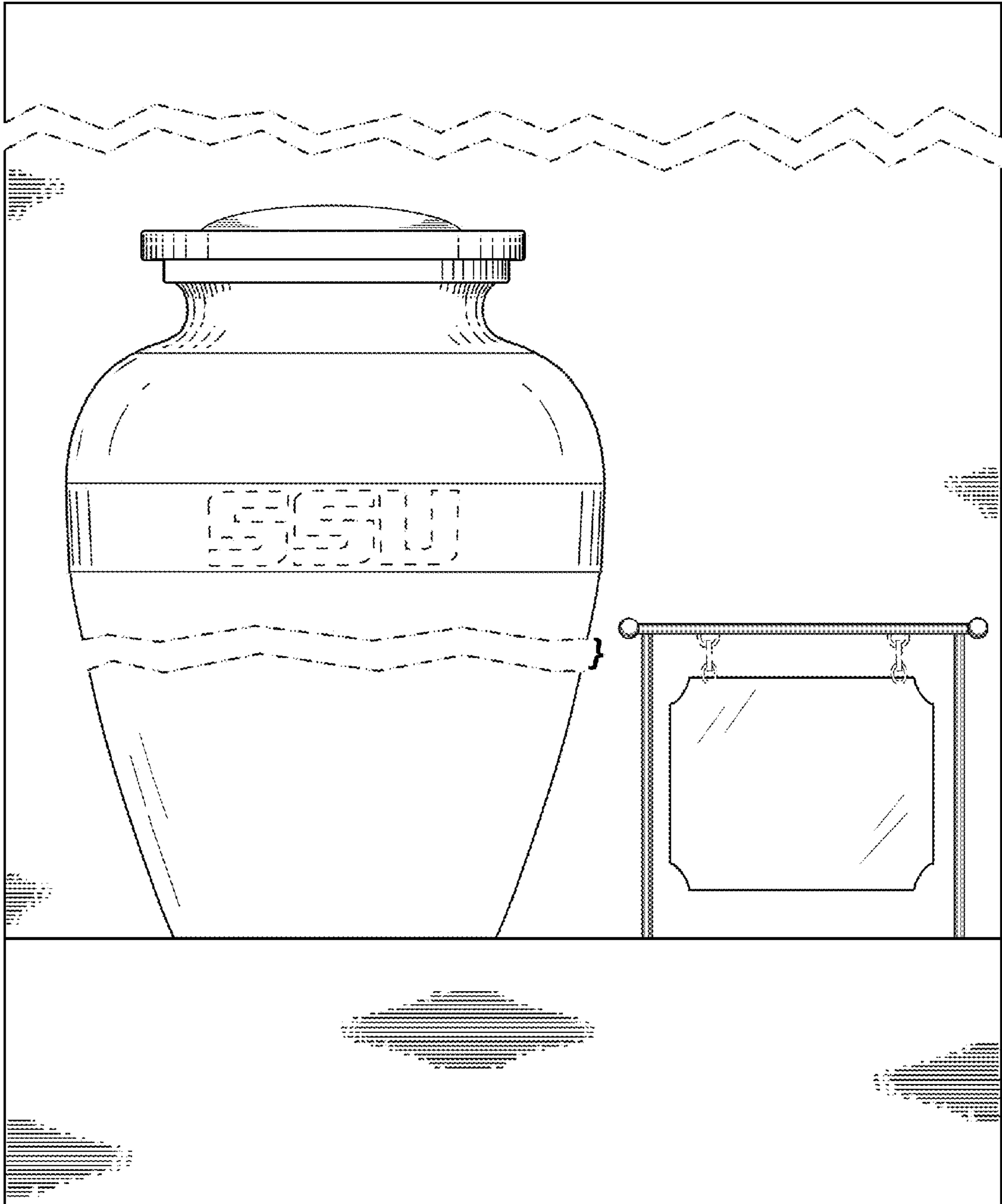
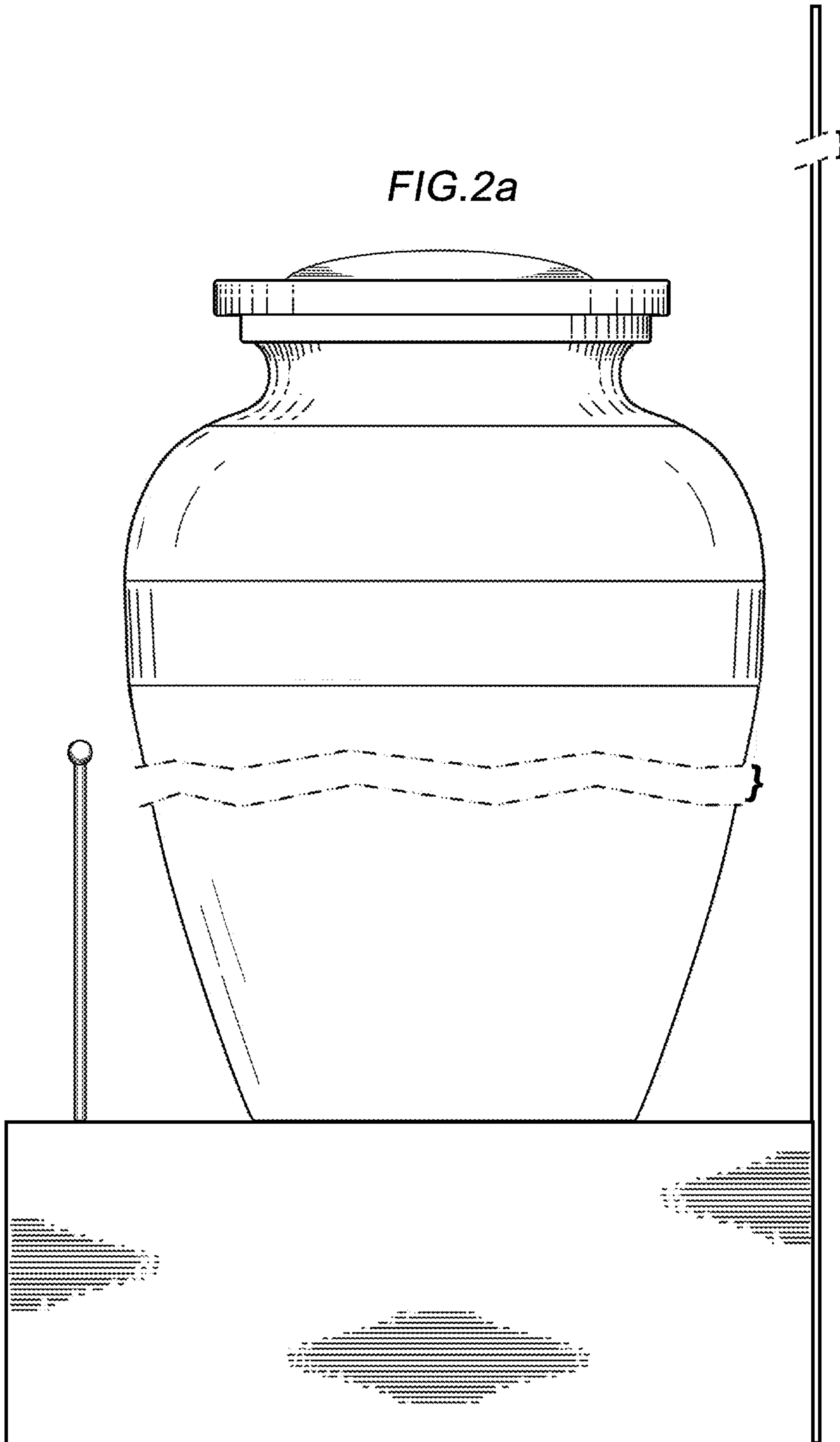


FIG.1

FIG.2a



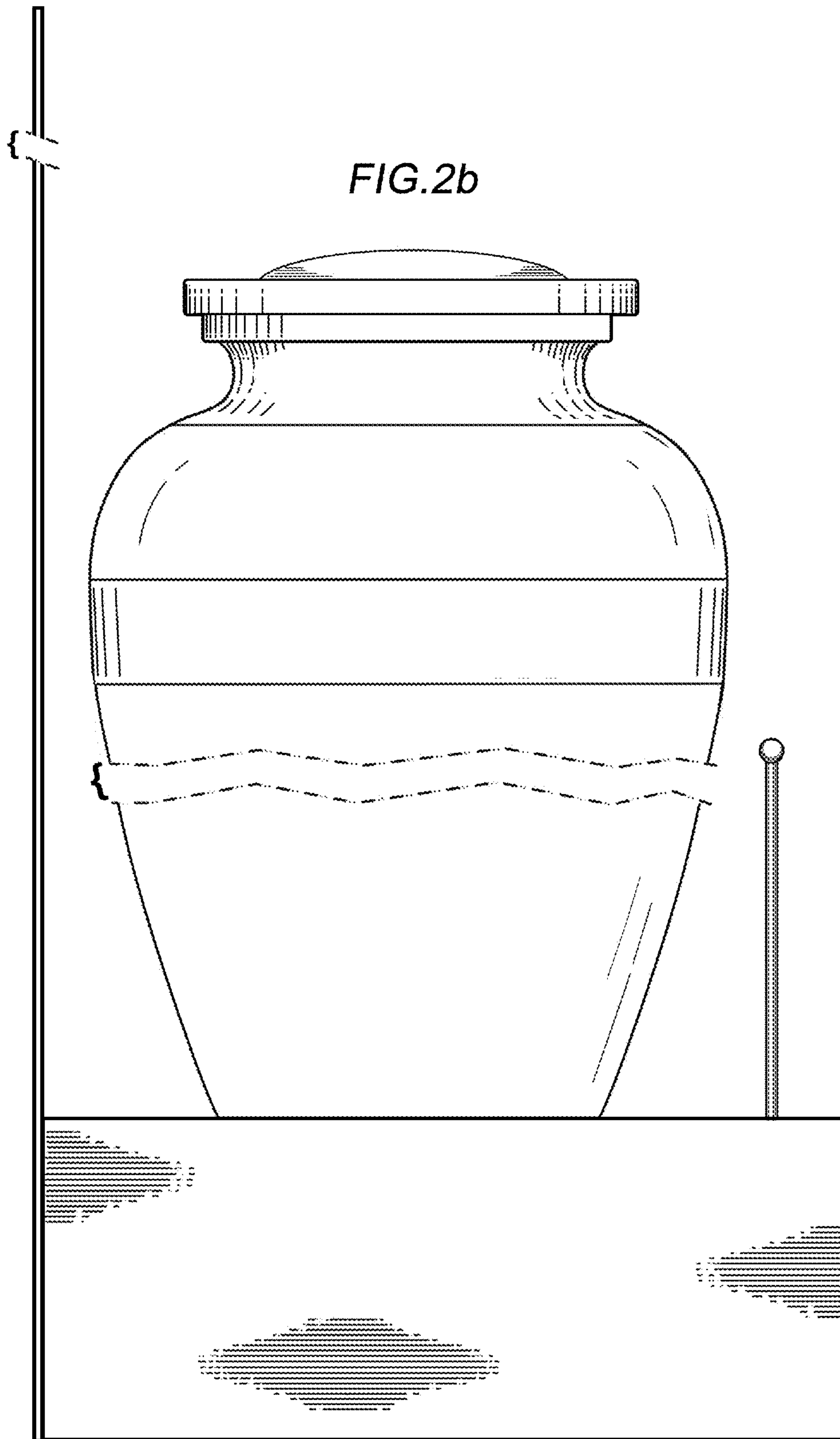


FIG.3

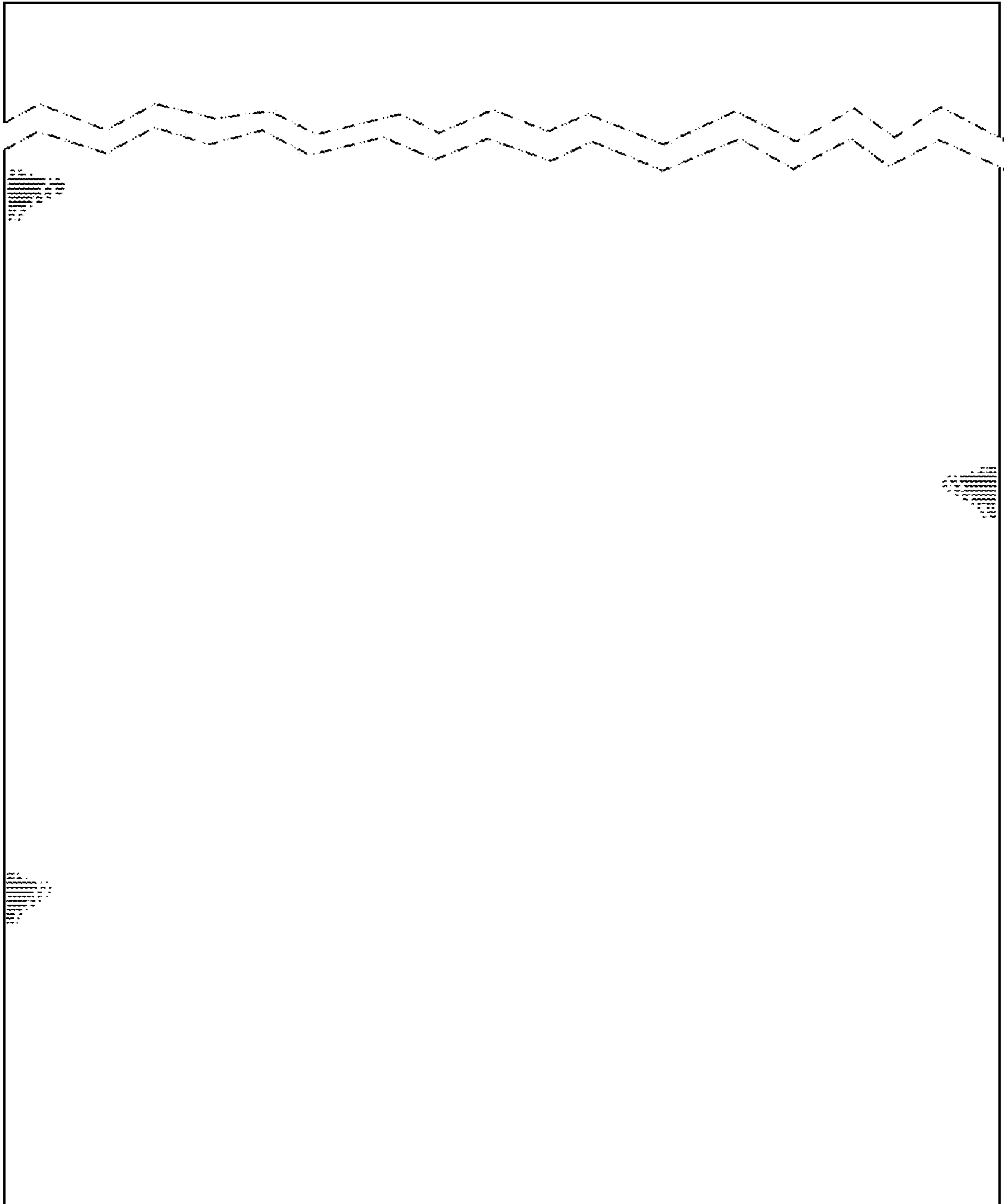


FIG.4

