



US00D767237S

(12) **United States Design Patent** (10) **Patent No.:** **US D767,237 S**
Mock et al. (45) **Date of Patent:** **** Sep. 20, 2016**

(54) **AERIAL WORK PLATFORM**
(71) Applicant: **JLG Industries, Inc.**, McConnellsburg, PA (US)
(72) Inventors: **Bryan Scott Mock**, Schellsburg, PA (US); **Todd S. Booher**, Shade Gap, PA (US); **Dorothy Gates Greenberger**, Hagerstown, MD (US)
(73) Assignee: **JLG INDUSTRIES, INC.**, McConnellsburg, PA (US)

4,979,588 A 12/1990 Pike et al.
D320,686 S * 10/1991 Still D34/34
5,159,989 A * 11/1992 Claxton B60S 9/12
180/41
D363,590 S * 10/1995 Kazmerchek D34/17
D396,925 S * 8/1998 Kessler D34/27
D399,628 S * 10/1998 Smith D34/28
6,173,810 B1 * 1/2001 Citron B66C 23/78
182/17
6,341,406 B1 * 1/2002 Beckman A61G 1/048
16/113.1
D455,535 S * 4/2002 Kamphuis D34/27
6,595,330 B1 7/2003 Henrickson et al.
6,823,964 B2 * 11/2004 Goode A62B 1/22
182/113

(**) Term: **14 Years**

(Continued)

(21) Appl. No.: **29/516,352**

FOREIGN PATENT DOCUMENTS

(22) Filed: **Jan. 30, 2015**

JP 62-153098 7/1987
JP 63-142400 9/1988

(51) **LOC (10) Cl.** **12-05**

(Continued)

(52) **U.S. Cl.**
USPC **D34/35; D34/28**

OTHER PUBLICATIONS

(58) **Field of Classification Search**
USPC D34/28, 35, 16, 15; 182/201, 2.2, 2.3, 182/2.11; 280/7.14, 7.17, 30, 32
CPC B66F 11/00; B66F 11/042; B66F 11/046; B66F 11/04; B66F 11/044
See application file for complete search history.

European Search Report dated May 22, 2014 issued in European Patent Application No. 11852006.3, 8 pp.

(Continued)

(56) **References Cited**

Primary Examiner — Cynthia Ramirez
(74) *Attorney, Agent, or Firm* — Nixon & Vanderhye P.C.

U.S. PATENT DOCUMENTS

(57) **CLAIM**

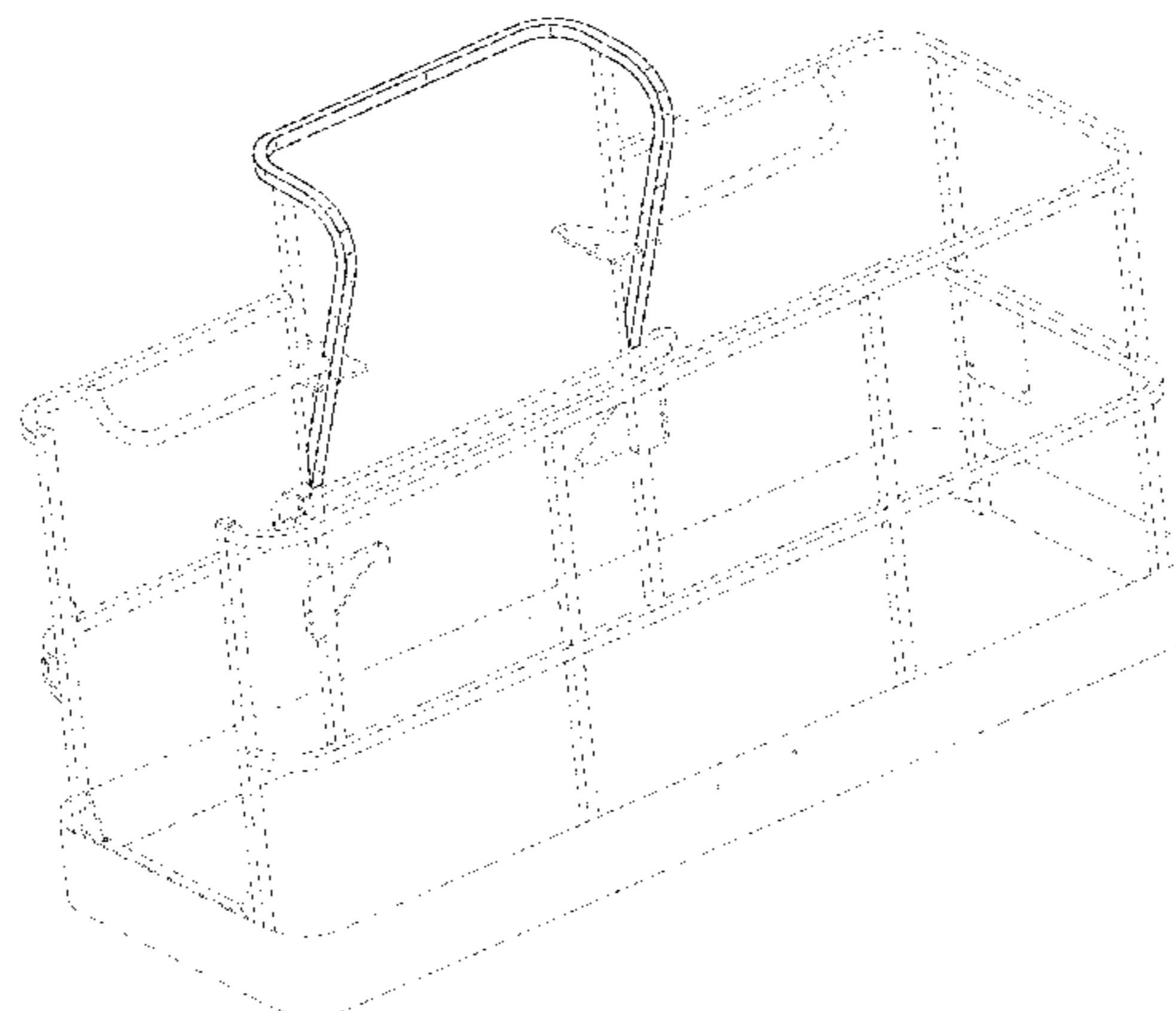
The ornamental design for an aerial work platform, as shown and described.

D192,711 S * 5/1962 Edelman D34/18
3,118,684 A * 1/1964 Kappen B62B 3/1476
280/33.997
3,418,005 A * 12/1968 Allina B62B 1/08
280/47.26
3,751,058 A * 8/1973 Larsen E01H 5/02
280/30
D261,127 S * 10/1981 Rallis D34/34
4,428,570 A * 1/1984 Foshee E05B 3/003
267/159
4,458,906 A * 7/1984 Lamson B62B 3/00
280/47.34
4,561,239 A * 12/1985 Cook A01D 34/824
16/437
D283,072 S * 3/1986 Qureshi 182/2.1

DESCRIPTION

FIG. 1 is a perspective view of a work platform;
FIG. 2 is a front view thereof;
FIG. 3 is a rear view thereof;
FIG. 4 is a left side view thereof;
FIG. 5 is a right side view thereof;
FIG. 6 is a top view thereof; and,
FIG. 7 is a bottom view thereof.
The broken lines shown in the figures depict environmental subject matter and form no part of the claimed design.

1 Claim, 7 Drawing Sheets



(56)

References Cited

U.S. PATENT DOCUMENTS

D523,201 S * 6/2006 Widmer D34/12
 D570,071 S * 5/2008 Campbell D34/28
 D595,470 S * 6/2009 Albert D34/27
 D618,421 S * 6/2010 Catron D34/27
 7,896,367 B1 * 3/2011 Suprono B62B 1/268
 280/47.15
 D693,533 S * 11/2013 Rakoci-Anderson D34/12
 8,813,910 B2 8/2014 Bowden
 D748,360 S * 1/2016 Dahmer D34/28
 9,249,002 B2 * 2/2016 Bowden B66F 11/044
 2004/0173404 A1 * 9/2004 Kobel A62B 1/22
 182/2.1
 2009/0260920 A1 10/2009 Cummings
 2010/0133043 A1 6/2010 Black et al.
 2010/0200332 A1 8/2010 Bowden
 2013/0313040 A1 11/2013 Cummings et al.
 2014/0251726 A1 * 9/2014 Ditty F16L 3/015
 182/69.4
 2014/0271076 A1 * 9/2014 Perron B66F 11/046
 414/719
 2014/0332314 A1 11/2014 Carrillo et al.

2015/0008073 A1 1/2015 Cummings et al.
 2015/0144426 A1 * 5/2015 Hao B66F 11/04
 182/113
 2015/0259185 A1 * 9/2015 Ditty B66F 17/006
 182/19
 2016/0075543 A1 * 3/2016 Lombardo B66F 11/044
 187/247

FOREIGN PATENT DOCUMENTS

JP 1-118987 8/1989
 JP 4-77600 7/1992
 JP 2003-221195 8/2003
 WO WO 2011/015815 2/2011
 WO WO 2012/001353 1/2012

OTHER PUBLICATIONS

Japanese Office Action dated Apr. 23, 2014 issued in Japanese Patent Application No. 2013-544880 and English Translation, 6 pp.
 U.S. Office Action dated Apr. 27, 2015 issued in U.S. Appl. No. 14/610,996, 13 pp.

* cited by examiner

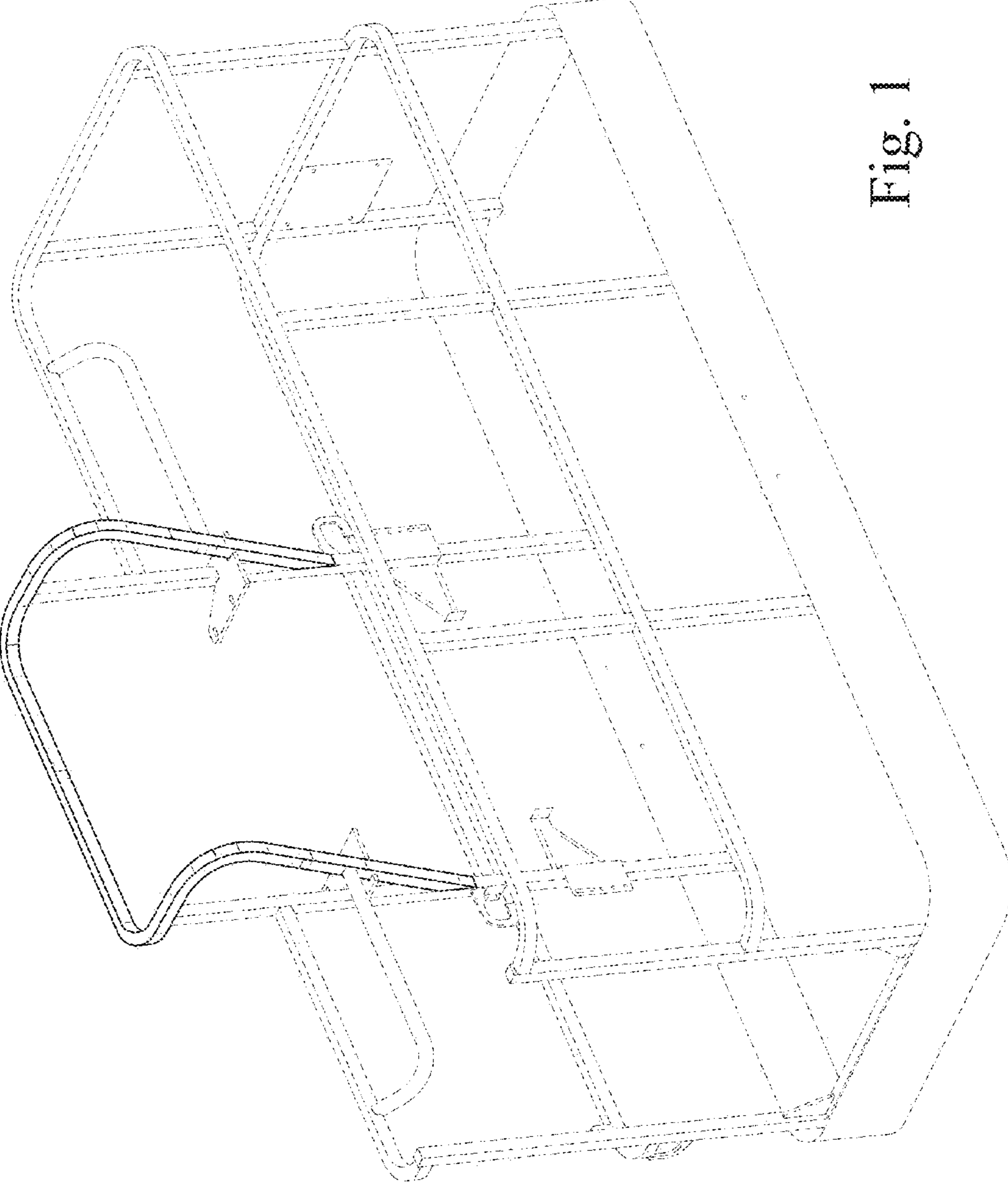


Fig. 1

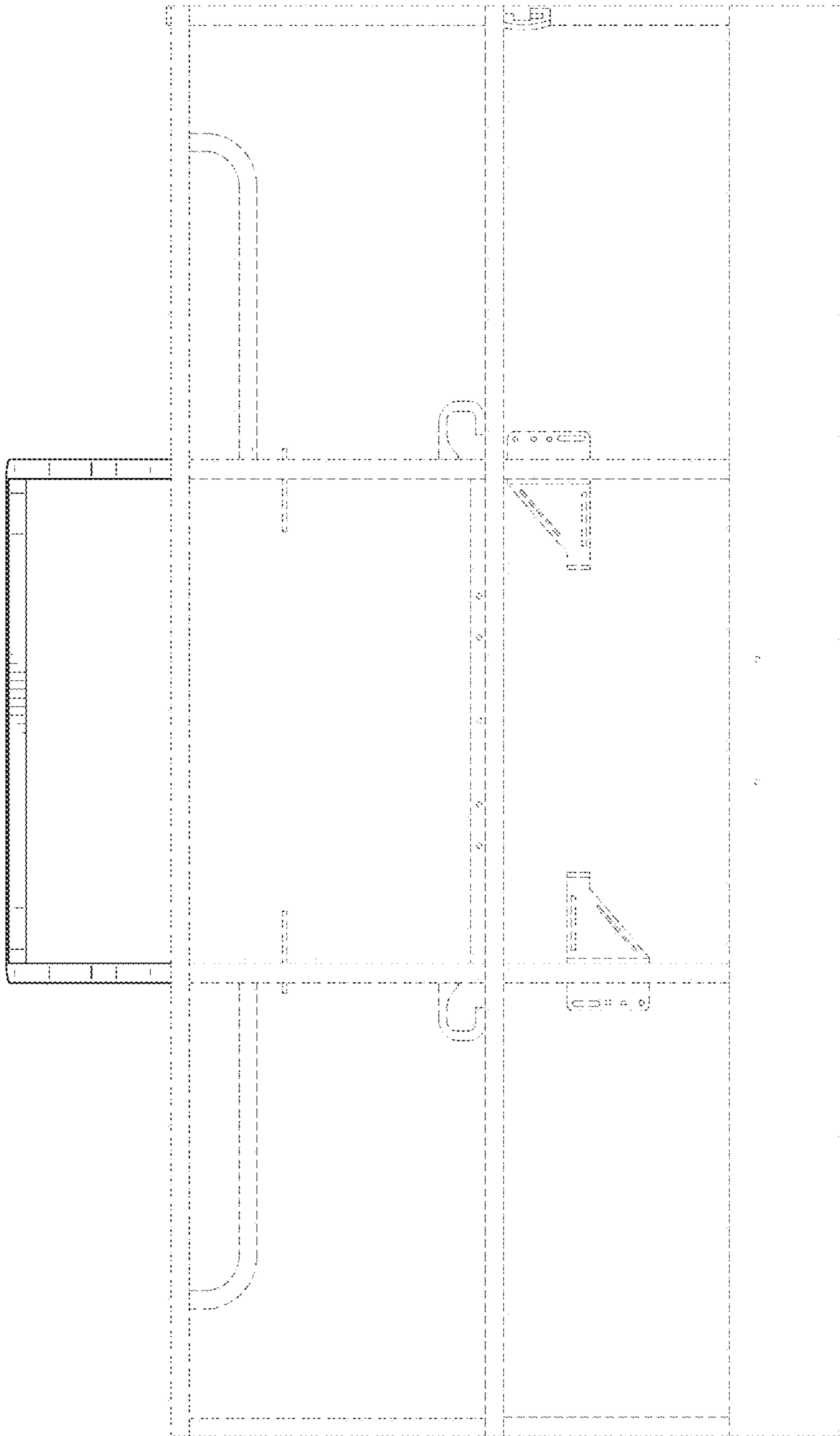


Fig. 2

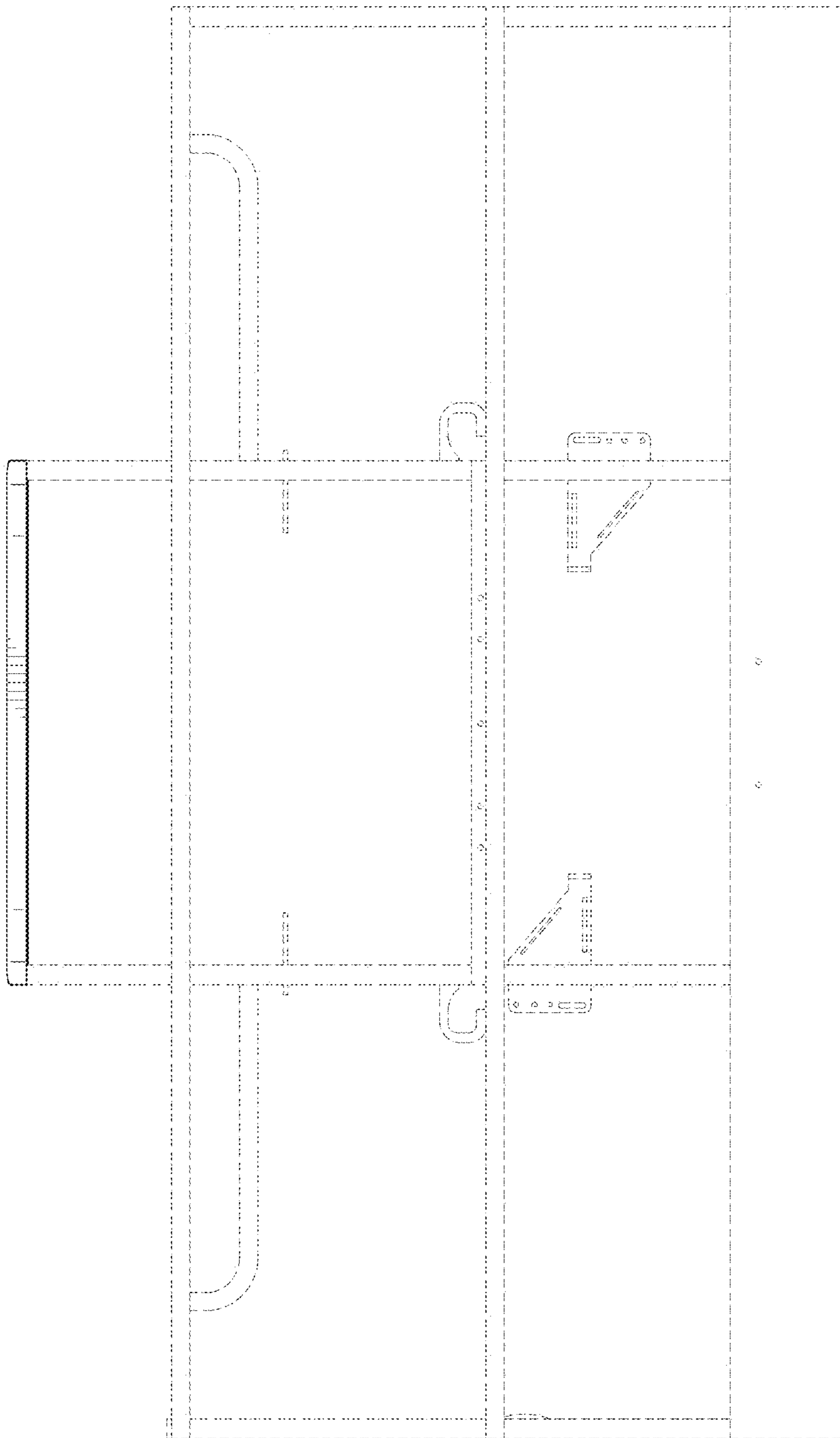


Fig. 3

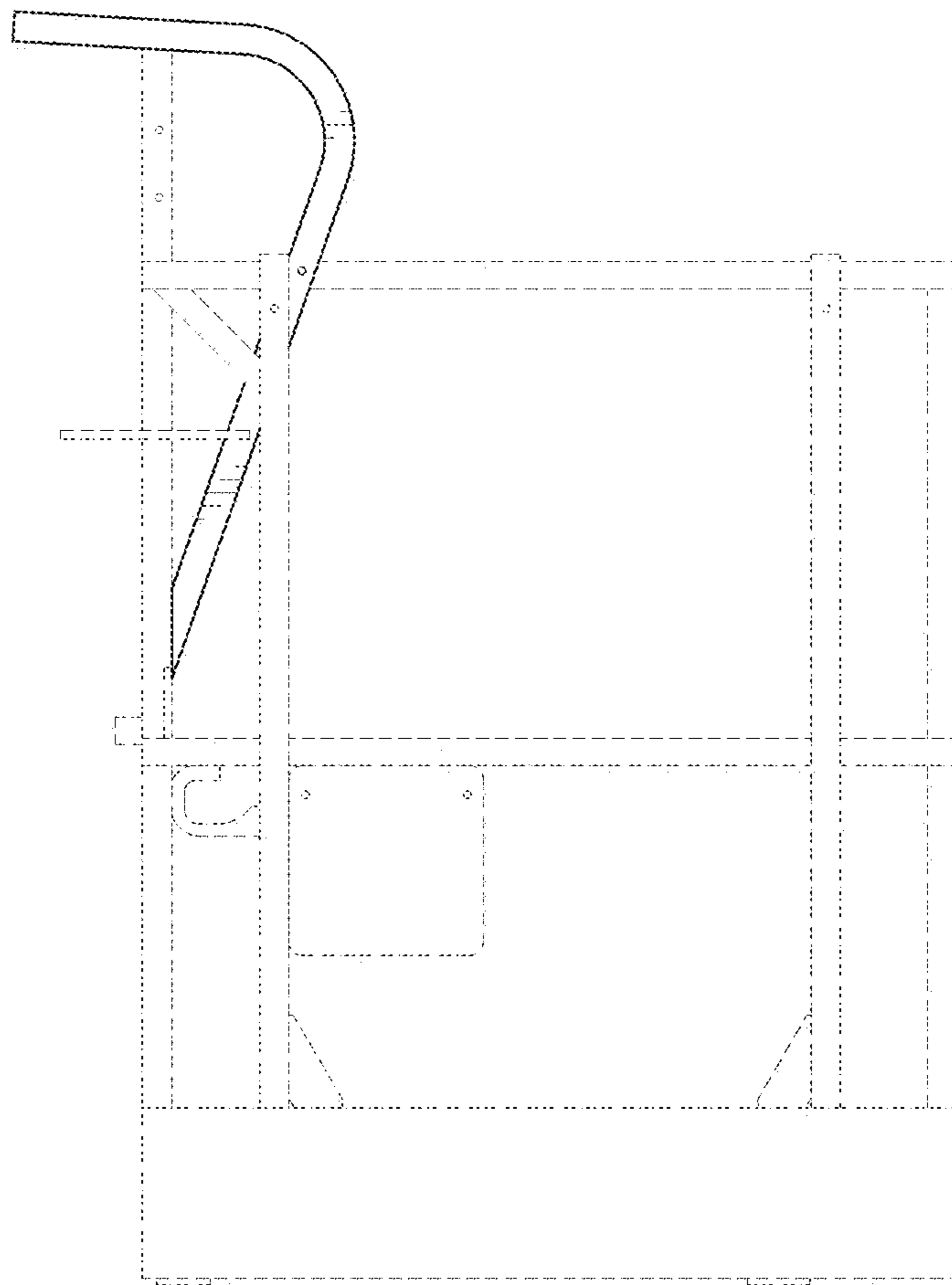


Fig. 4

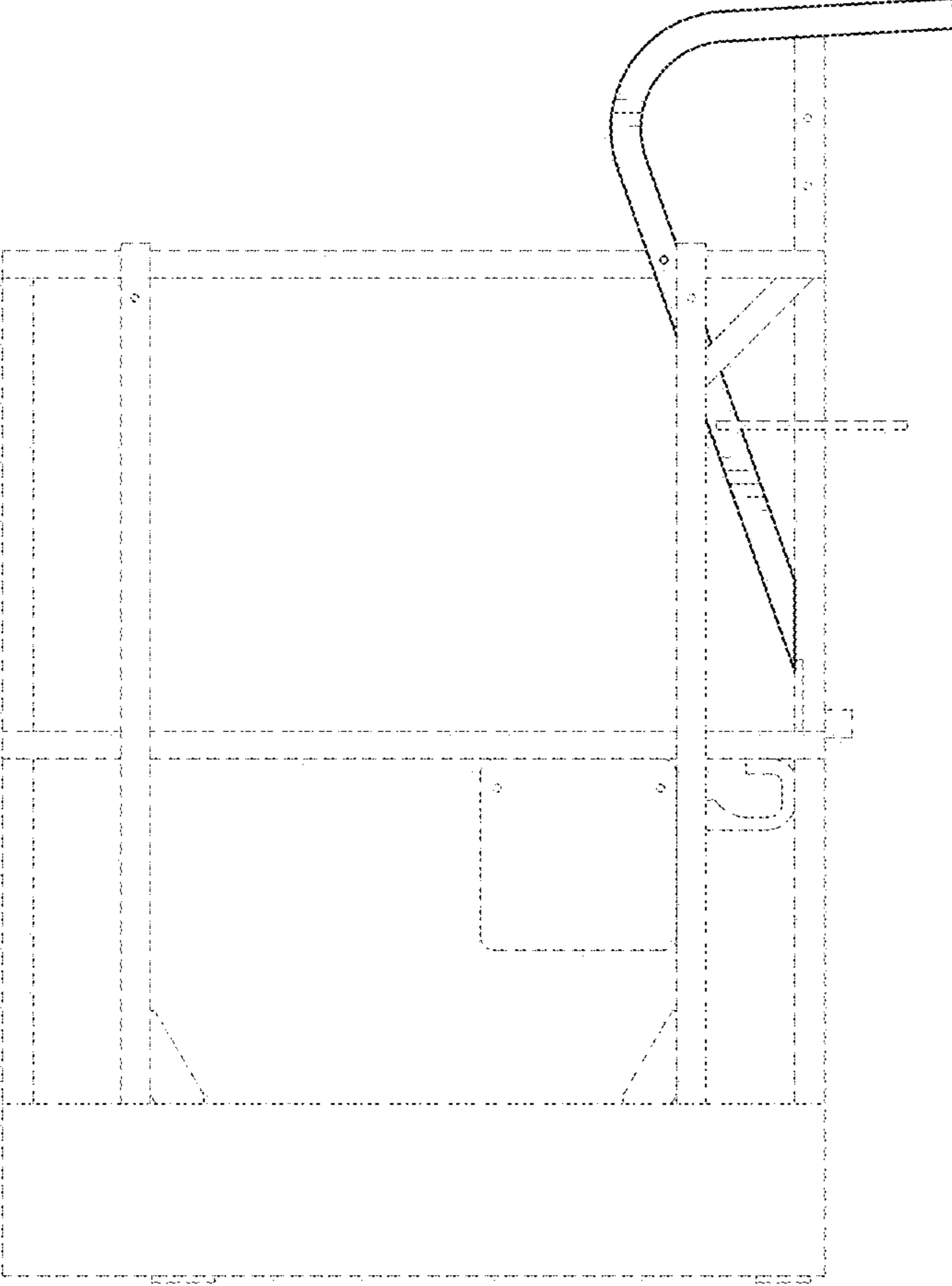


Fig. 5

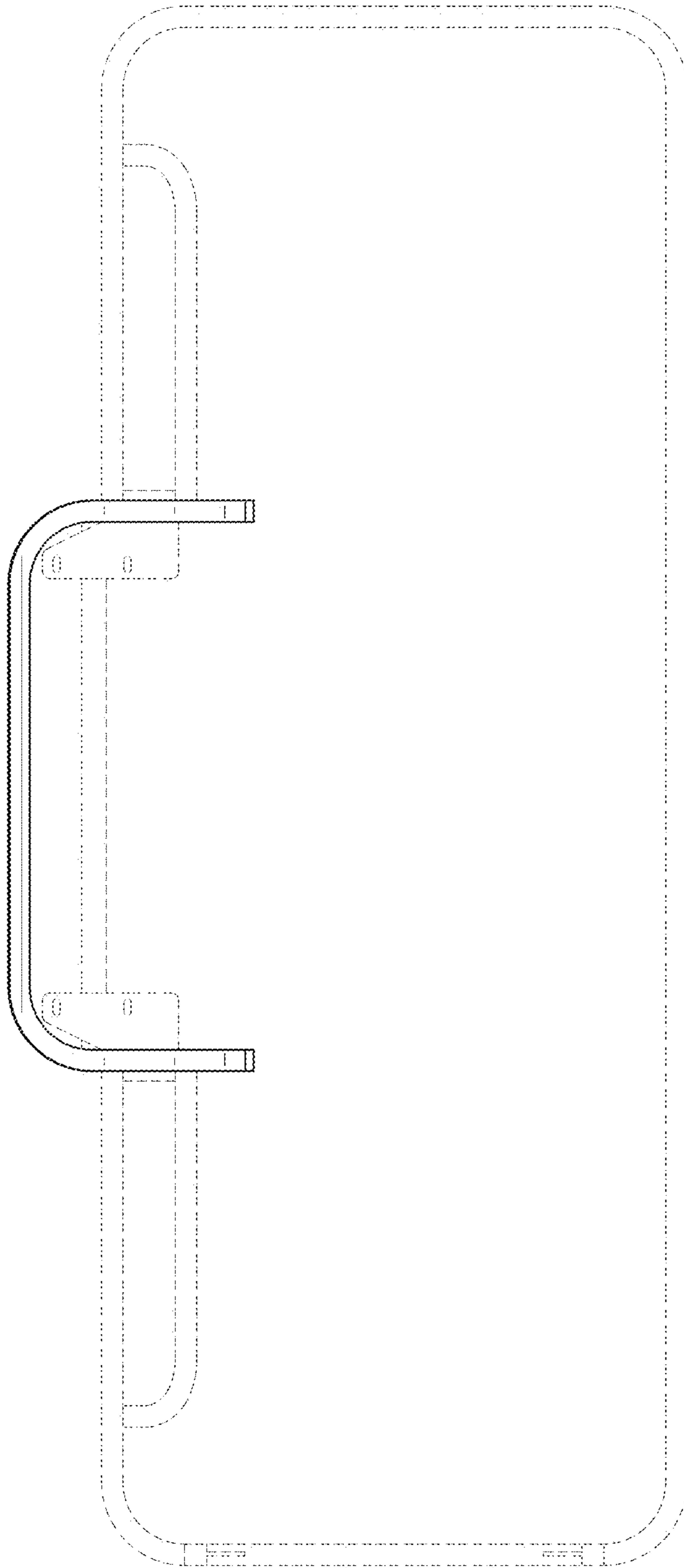


Fig. 6

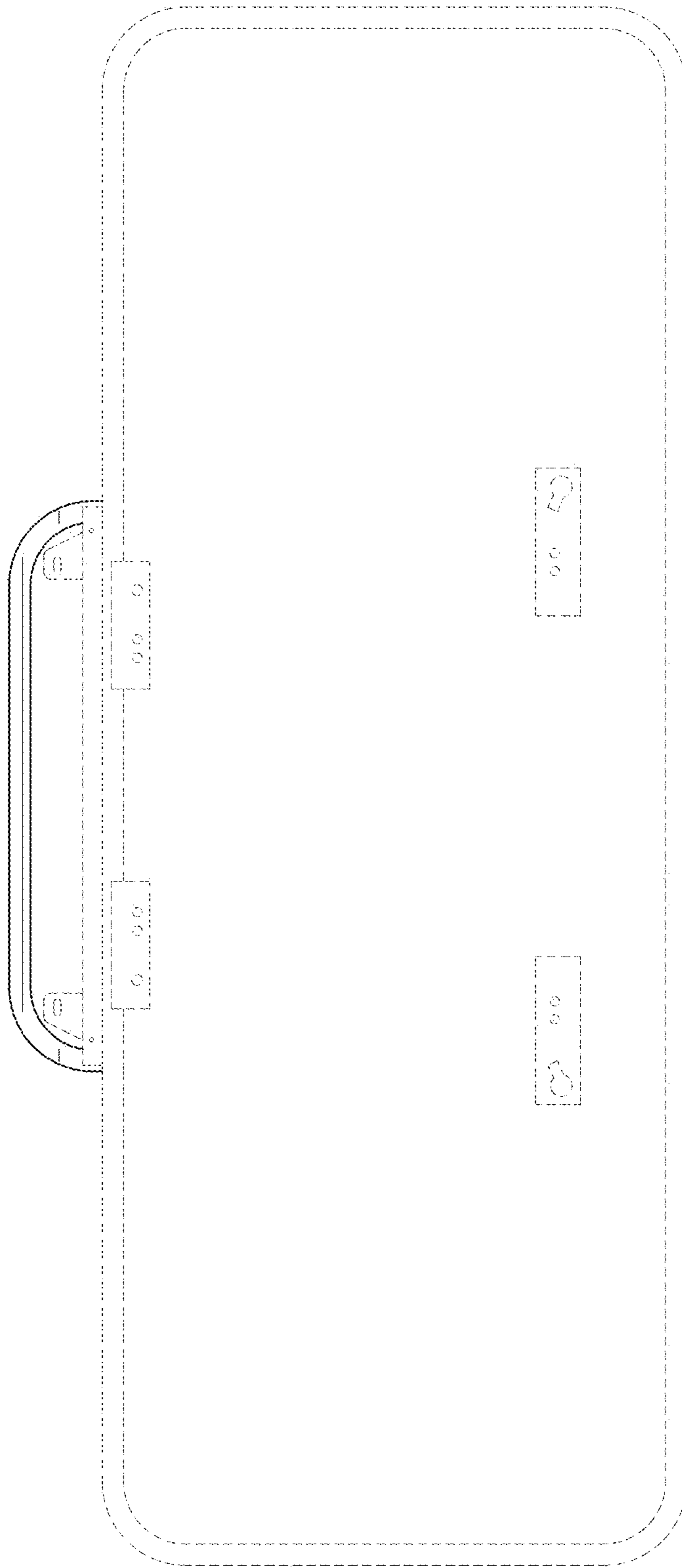


Fig. 7