



US00D767235S

(12) **United States Design Patent**
Mayer

(10) **Patent No.:** **US D767,235 S**

(45) **Date of Patent:** **** Sep. 20, 2016**

(54) **ENDLESS WINCH**

(71) Applicant: **COLUMBUS MCKINNON INDUSTRIAL PRODUCTS GMBH, Wuppertal (DE)**

(72) Inventor: **Hannes Mayer, Wuppertal (DE)**

(73) Assignee: **COLUMBUS MCKINNON INDUSTRIAL PRODUCTS GMBH, Wuppertal (DE)**

(**) Term: **14 Years**

(21) Appl. No.: **29/511,509**

(22) Filed: **Dec. 11, 2014**

(30) **Foreign Application Priority Data**

Jun. 13, 2014 (WO) 083901

(51) **LOC (10) Cl.** **12-05**

(52) **U.S. Cl.**
USPC **D34/33**

(58) **Field of Classification Search**
USPC D34/28-38; 212/292, 347; 254/264, 254/2 R, 342, 362, 344, 345, 382, 374, 356, 254/380, 372, 358; 310/60 R, 83; 417/359, 417/415-416, 410.1, 321, 265, 405
CPC .. A61G 7/101; A61G 7/1019; A61G 7/1046; B66C 23/48; B66C 1/14; B66D 3/16; B66D 3/18; B66D 3/20; B66D 1/46; B66D 1/20; B66D 2700/026

See application file for complete search history.

(56) **References Cited**

U.S. PATENT DOCUMENTS

5,007,617 A * 4/1991 Nishimura B66D 3/14
254/358
D489,157 S * 4/2004 Lawson D34/33

D524,508 S * 7/2006 Lichtenvort D34/33
D540,003 S * 4/2007 Hagihara D34/33
D550,720 S * 9/2007 Geisler D34/33
D597,105 S * 7/2009 Geisler D15/9
D674,163 S * 1/2013 Tarkiainen D34/33
D703,414 S * 4/2014 Fretz D34/33
D741,039 S * 10/2015 Huang D34/33
2013/0221809 A1 * 8/2013 Hiroshima B66D 3/20
310/60 R
2015/0090946 A1 * 4/2015 Schwaiger B66D 3/26
254/362

* cited by examiner

Primary Examiner — Cynthia Ramirez

Assistant Examiner — Gino Colan

(74) *Attorney, Agent, or Firm* — Henry M. Feiereisen LLC

(57) **CLAIM**

The ornamental design for an endless winch, as shown and described.

DESCRIPTION

FIG. 1 is a front elevational view of an endless winch showing my new design;
FIG. 2 is a rear elevational view thereof;
FIG. 3 is a top plan view thereof;
FIG. 4 is a bottom plan view thereof;
FIG. 5 is a left elevational view thereof;
FIG. 6 is a right elevational view thereof; and,
FIG. 7 is a rear right perspective view thereof.
The broken line portion of the figure drawings is included to show unclaimed subject matter only and forms no part of the claimed design.

1 Claim, 7 Drawing Sheets

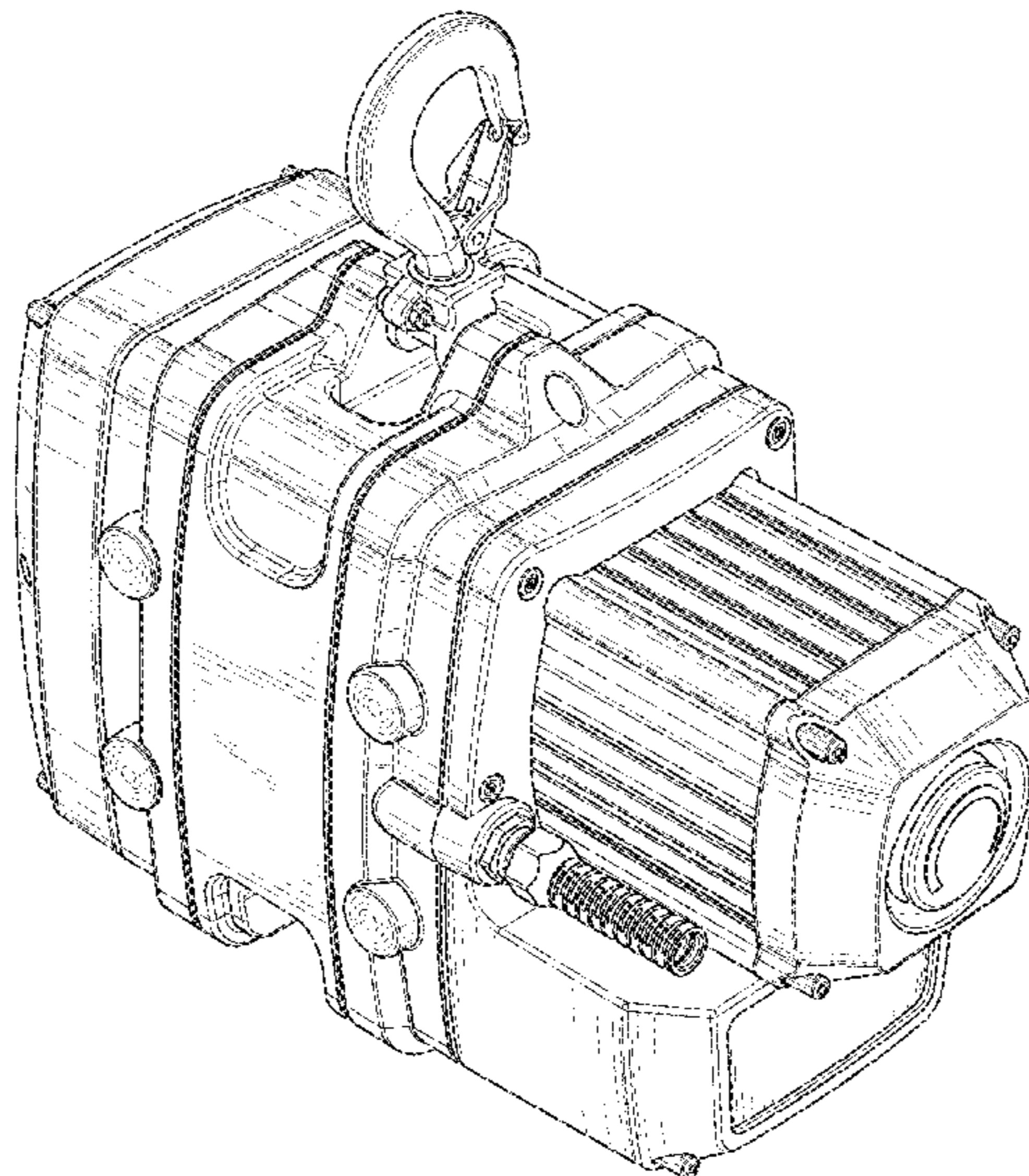


FIG. 1

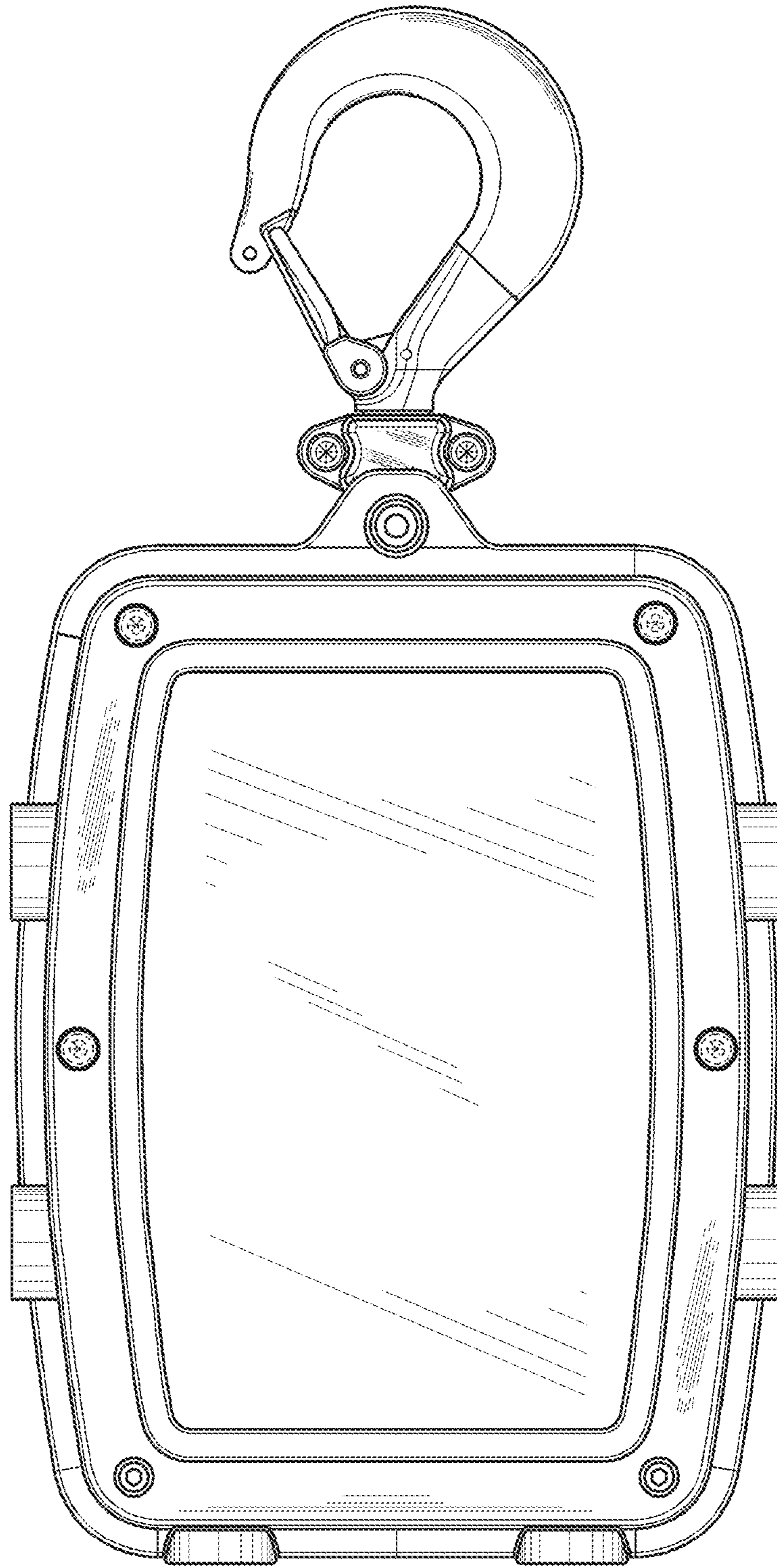


FIG. 2

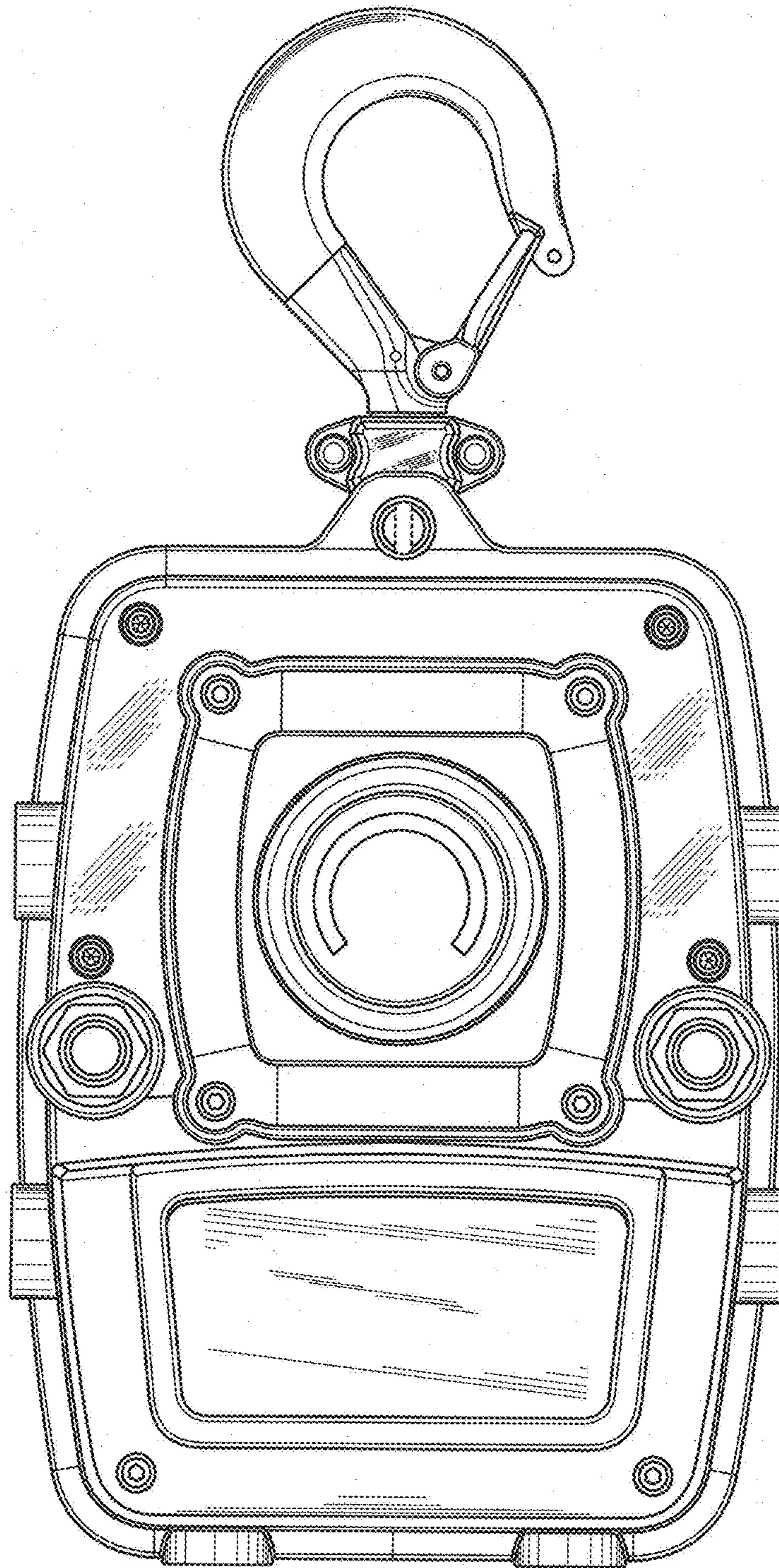


FIG. 3

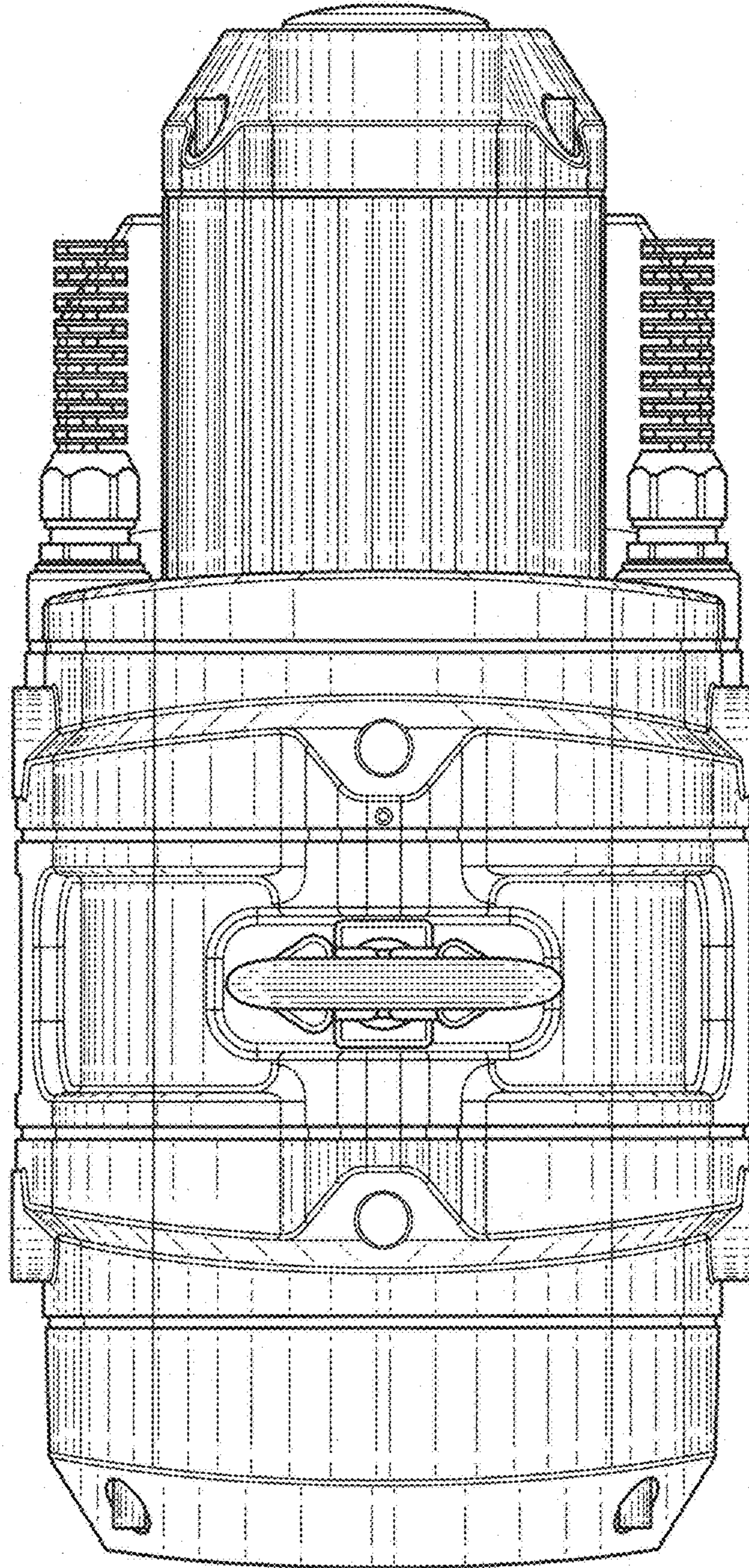


FIG. 4

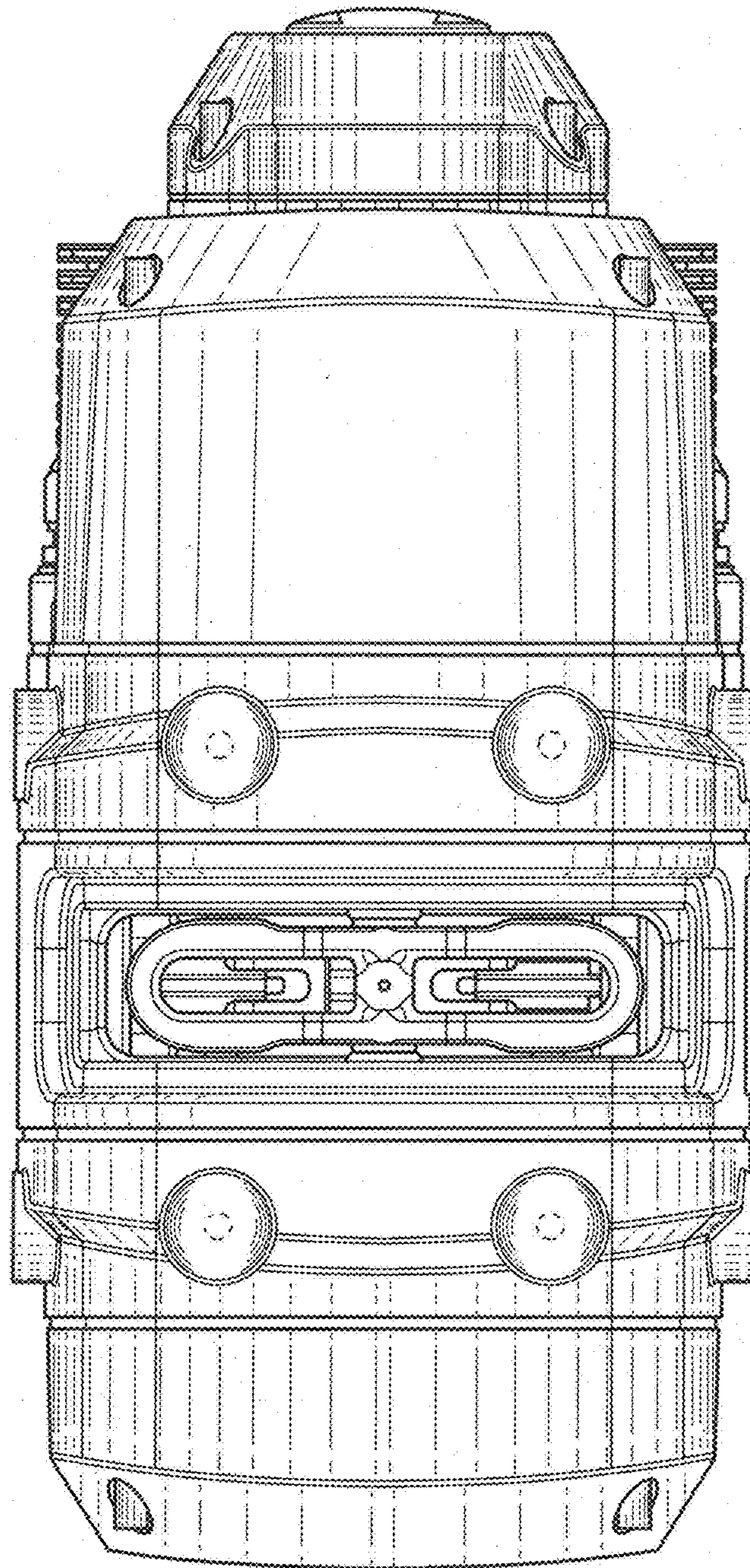


FIG. 5

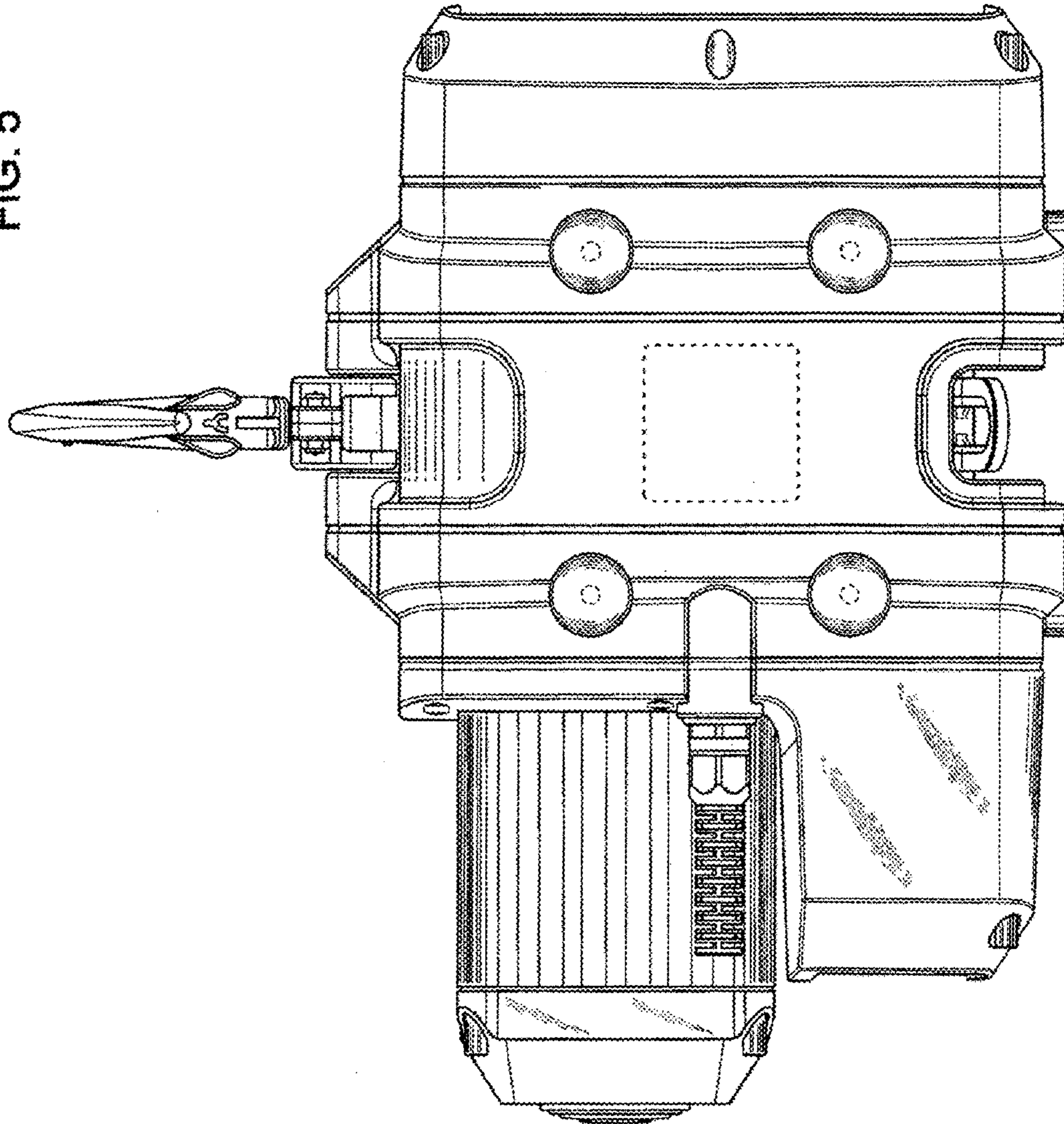


FIG. 6

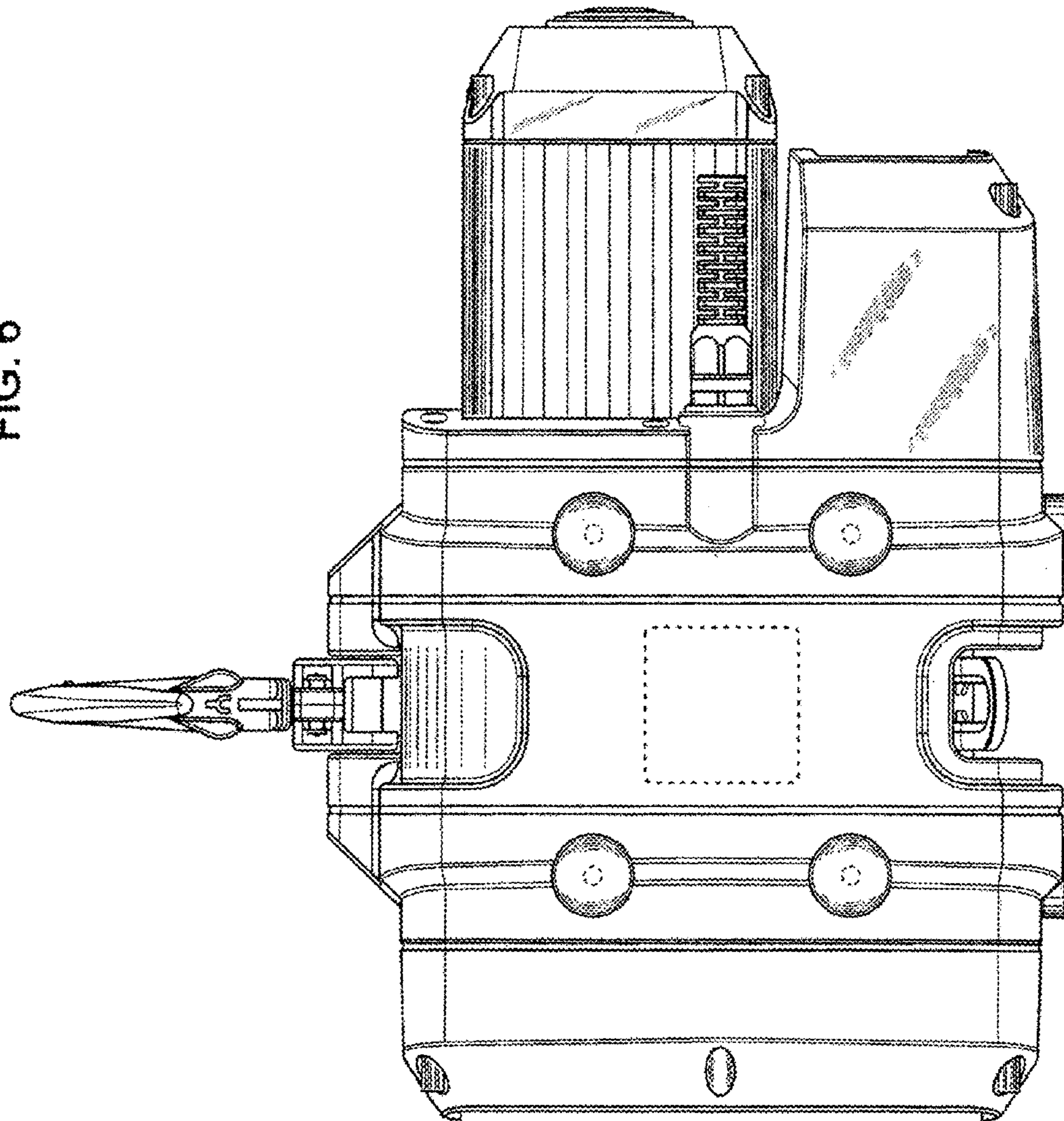


FIG. 7

