



US00D767231S

(12) **United States Design Patent**
Blitzer et al.

(10) **Patent No.:** **US D767,231 S**

(45) **Date of Patent:** **** Sep. 20, 2016**

(54) **TILT TRUCK CARRIAGE**

(71) Applicant: **Suncast Technologies, LLC**, Palm Beach Gardens, FL (US)

(72) Inventors: **Dov Blitzer**, Naperville, IL (US);
Michael Thuma, La Grange, IL (US);
Michael R. Vogler, Oswego, IL (US)

(73) Assignee: **Suncast Technologies, LLC**, Palm Beach Gardens, FL (US)

(**) Term: **15 Years**

(21) Appl. No.: **29/533,239**

(22) Filed: **Jul. 15, 2015**

(51) **LOC (10) Cl.** **12-02**

(52) **U.S. Cl.**
USPC **D34/27; D34/16**

(58) **Field of Classification Search**
USPC D34/12-27; 414/812, 809, 444, 446;
220/605; 280/651, 47.34, 47.35, 47.19,
280/47.26, 47.131, 33.991, 33.996, 47.27,
280/654, 653, 656, 769

CPC .. B65D 5/5206; B60P 1/6454; B60P 3/2245;
A47J 47/145; B62B 5/0438

See application file for complete search history.

(56) **References Cited**

U.S. PATENT DOCUMENTS

4,998,742 A * 3/1991 Maynard B62B 3/02
280/35
D361,186 S * 8/1995 Kowalski D34/12
D393,127 S * 3/1998 Vidmar 280/47.131

D423,177 S * 4/2000 Gaffney D34/12
D446,622 S * 8/2001 Gaffney D34/27
D456,973 S * 5/2002 Kimpel D34/24
D509,938 S * 9/2005 Belmont D34/12
D514,767 S * 2/2006 Schusler D34/12
D588,322 S * 3/2009 Tilk D34/20

* cited by examiner

Primary Examiner — Cynthia Ramirez

Assistant Examiner — Gino Colan

(74) *Attorney, Agent, or Firm* — McHale & Slavin, P.A.

(57) **CLAIM**

The ornamental design for a tilt truck carriage, as shown and described.

DESCRIPTION

FIG. 1 is a top rear perspective view of the tilt truck carriage of the present invention;

FIG. 2 is a rear view thereof;

FIG. 3 is a front view thereof;

FIG. 4 is a left side view thereof;

FIG. 5 is a right side view thereof;

FIG. 6 is a top view thereof;

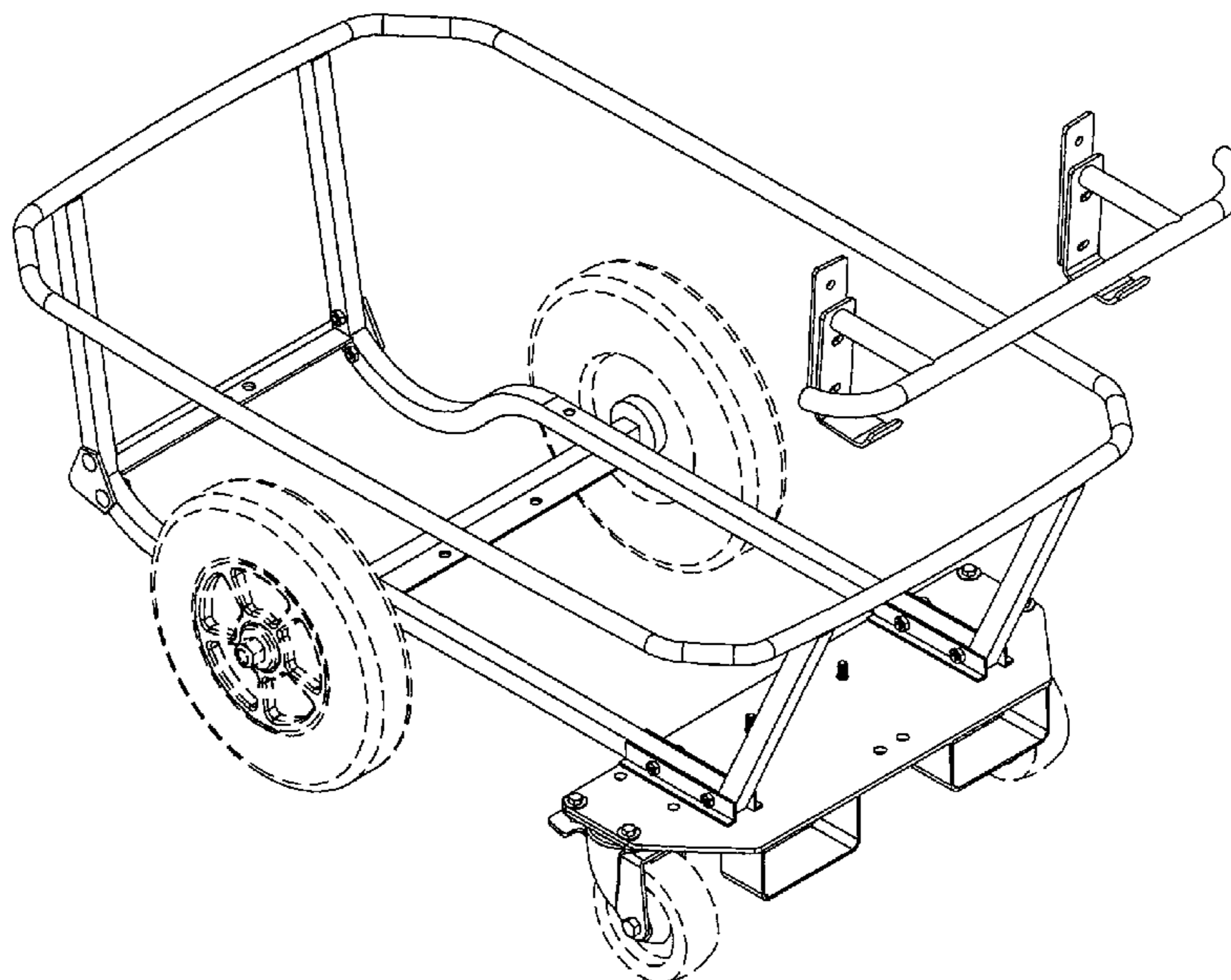
FIG. 7 is a bottom view thereof;

FIG. 8 is a bottom right perspective view thereof; and,

FIG. 9 is another bottom perspective view in use with a container.

The broken lines showing four wheels in FIGS. 1 through 9 are included for the purpose of illustrating portions of the tilt truck carriage and form no part of the claimed design. The broken line showing of a container in FIG. 9 is included for the purpose of illustrating environment and forms no part of the claimed design.

1 Claim, 9 Drawing Sheets



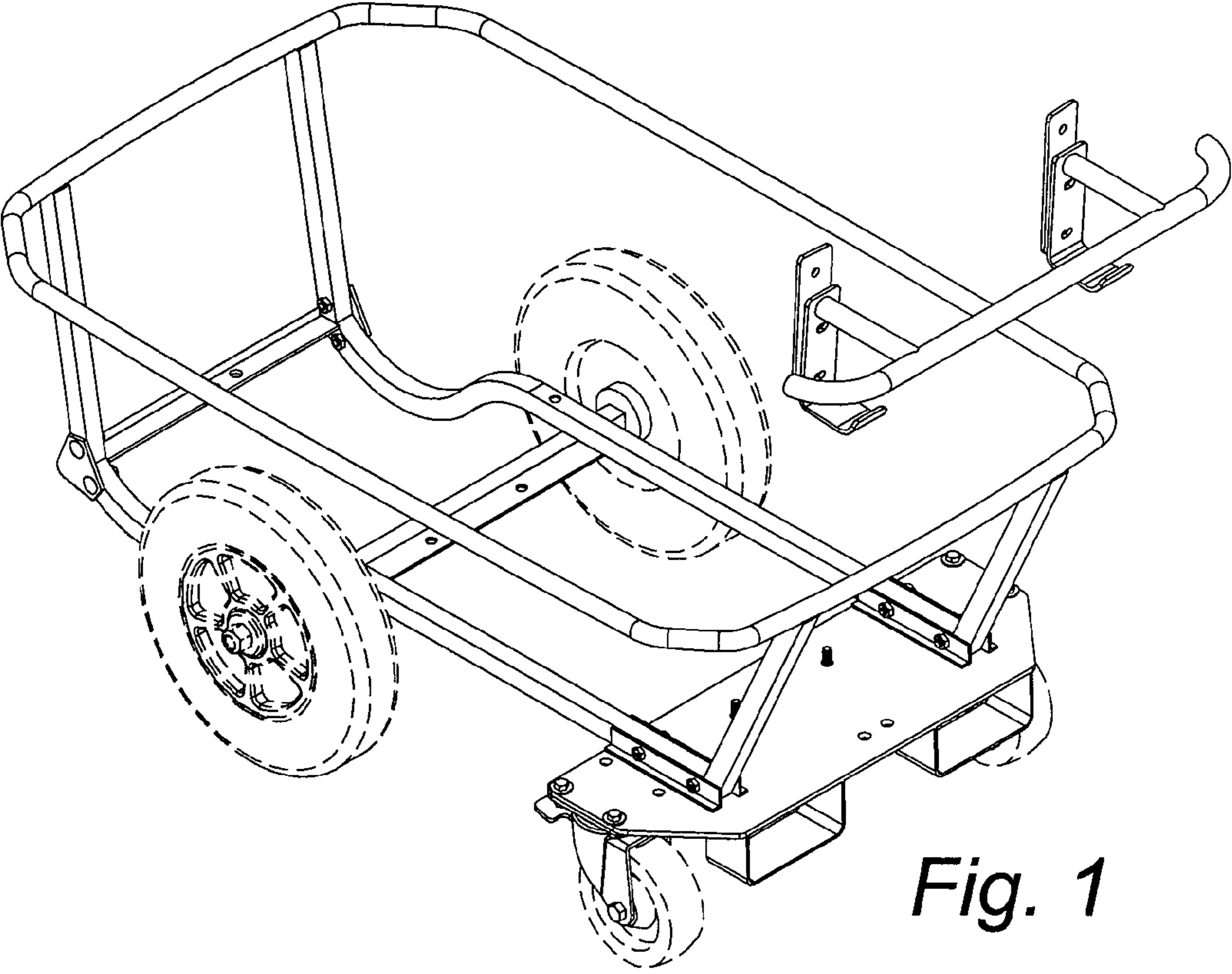


Fig. 1

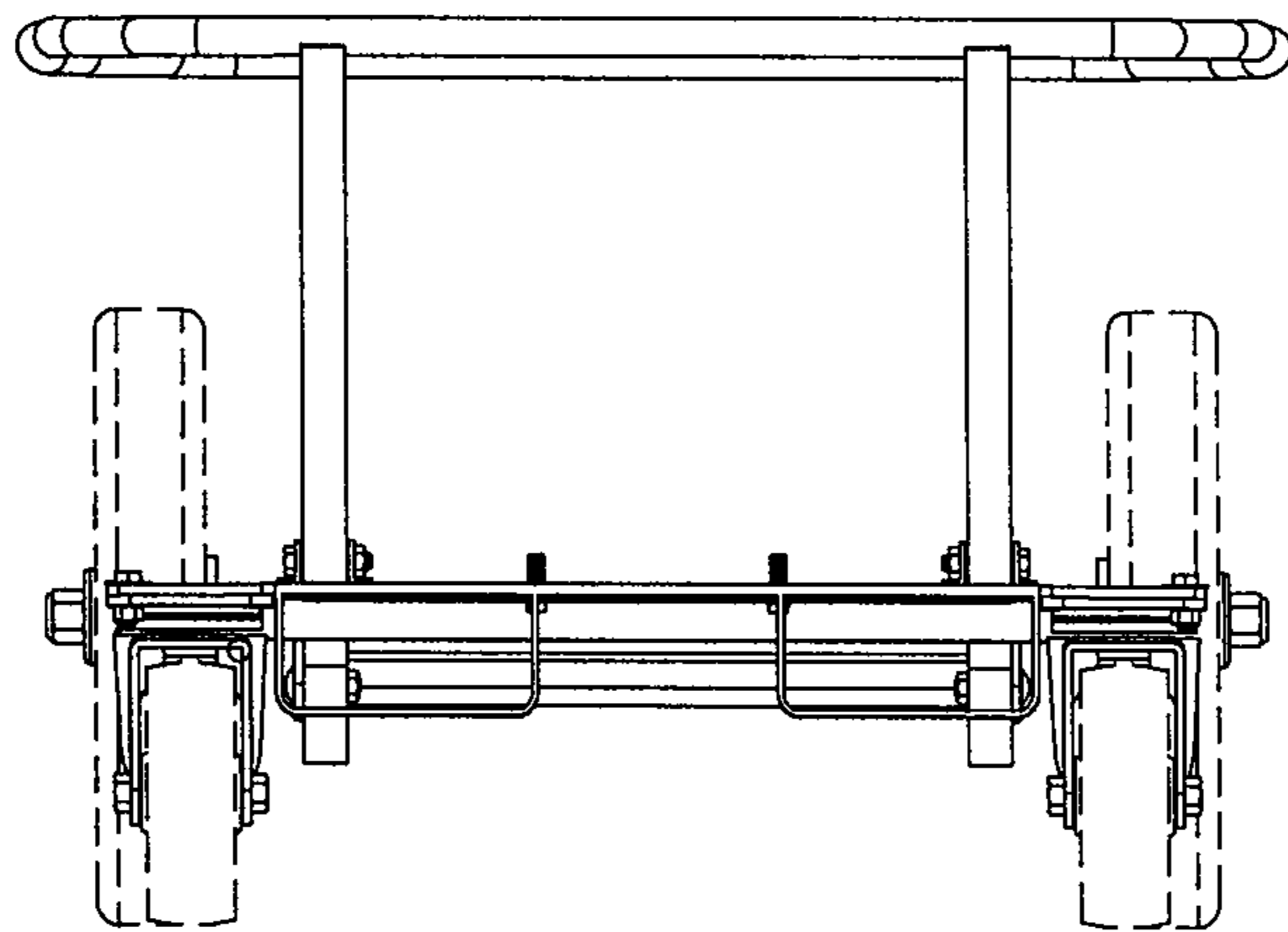
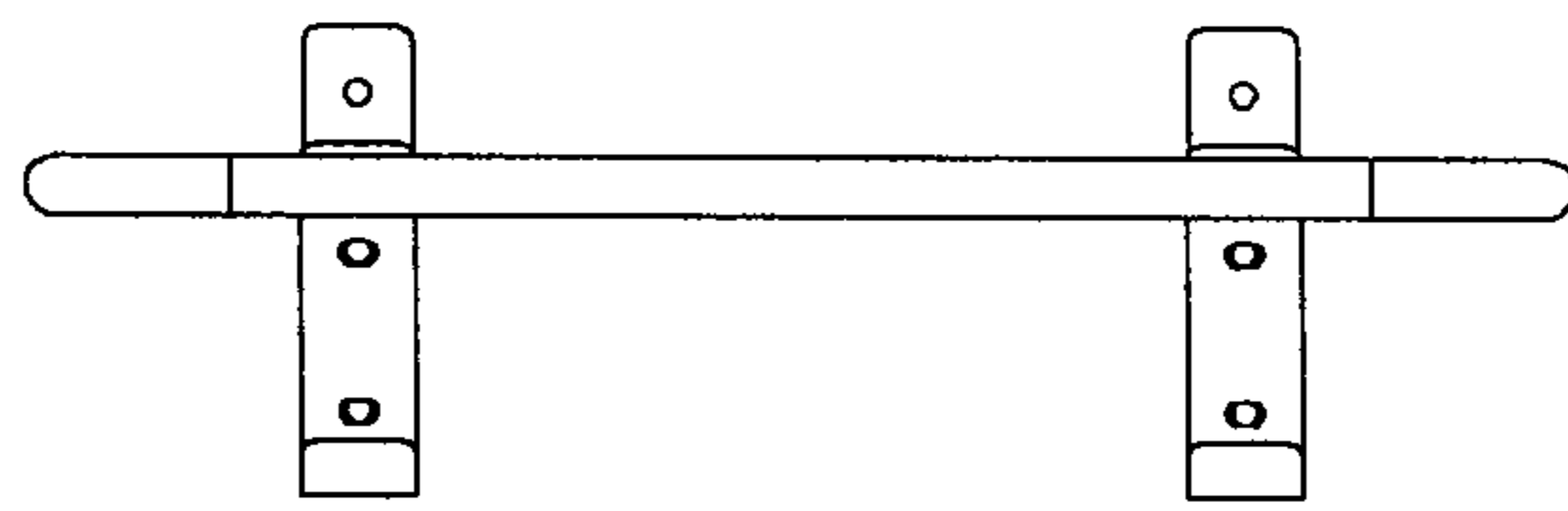


Fig. 2

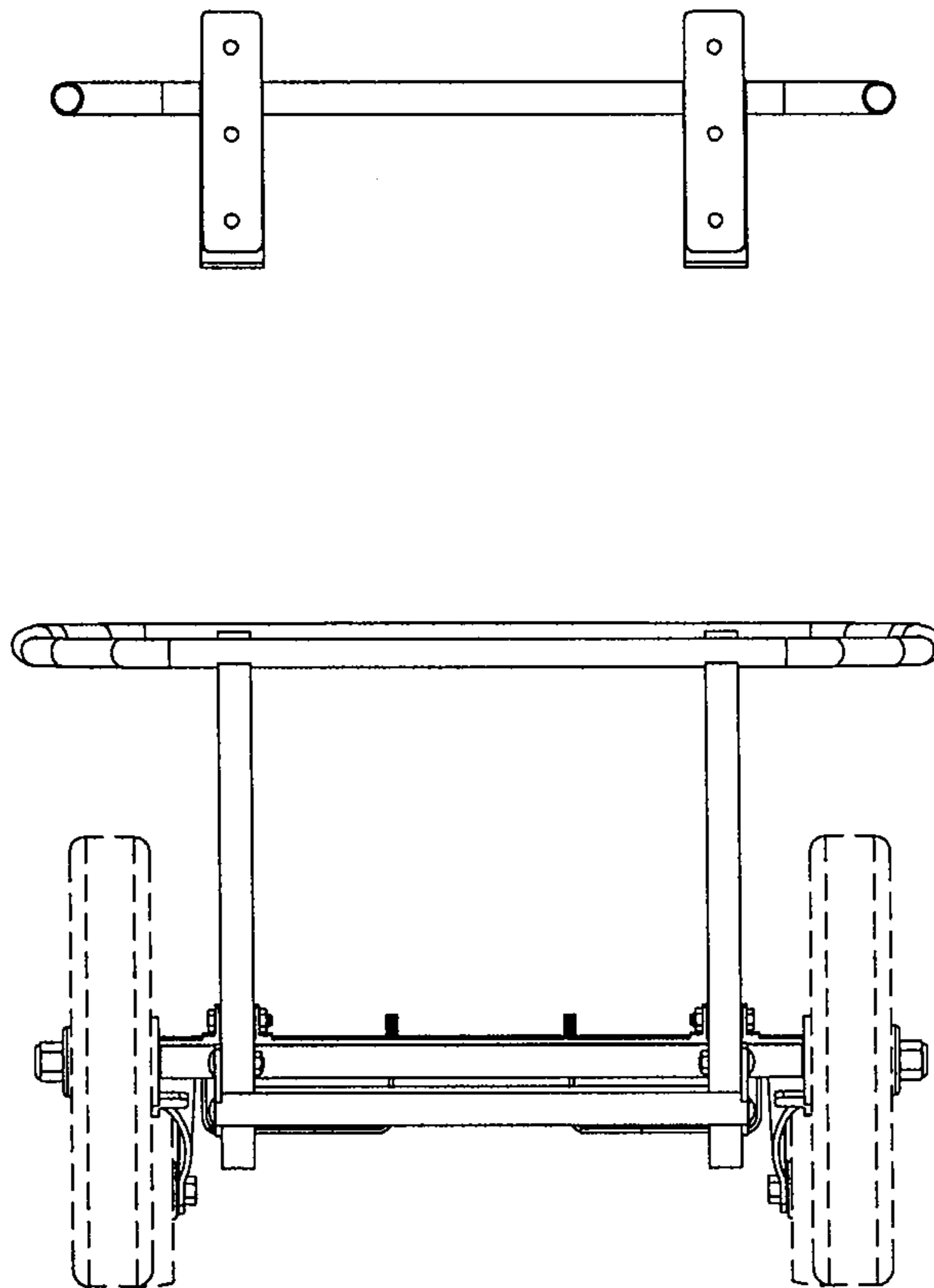


Fig. 3

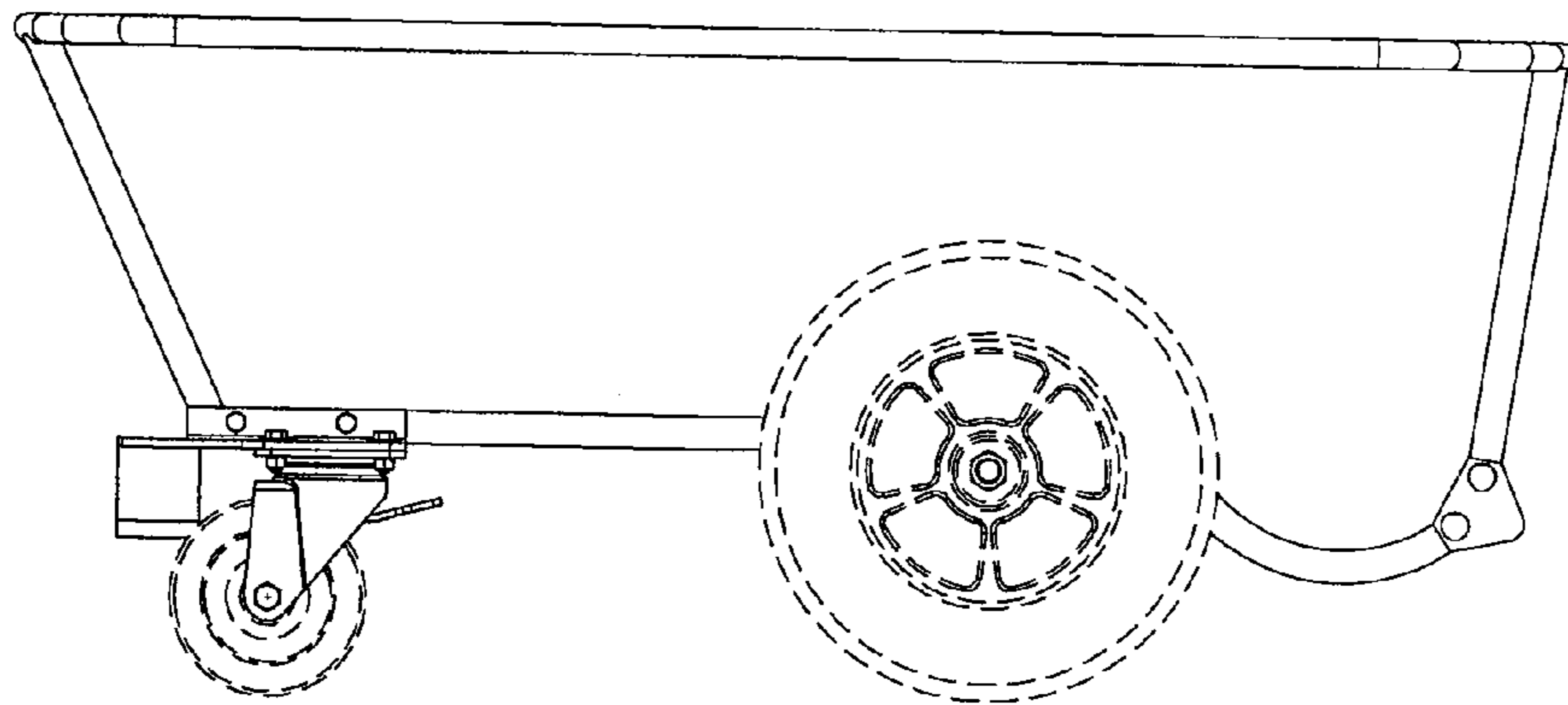
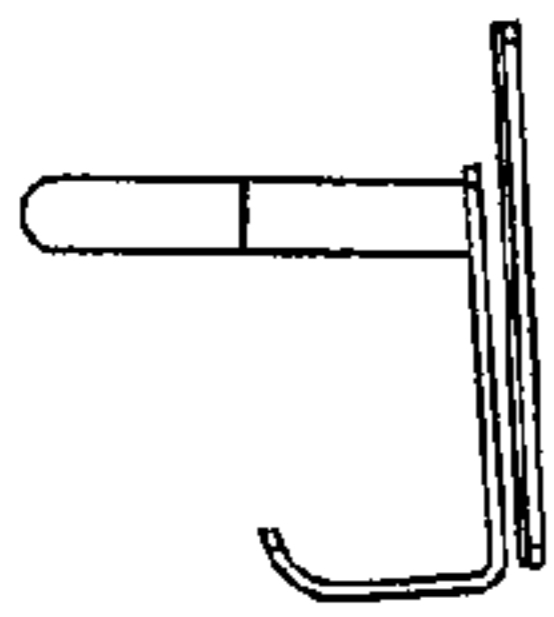


Fig. 4

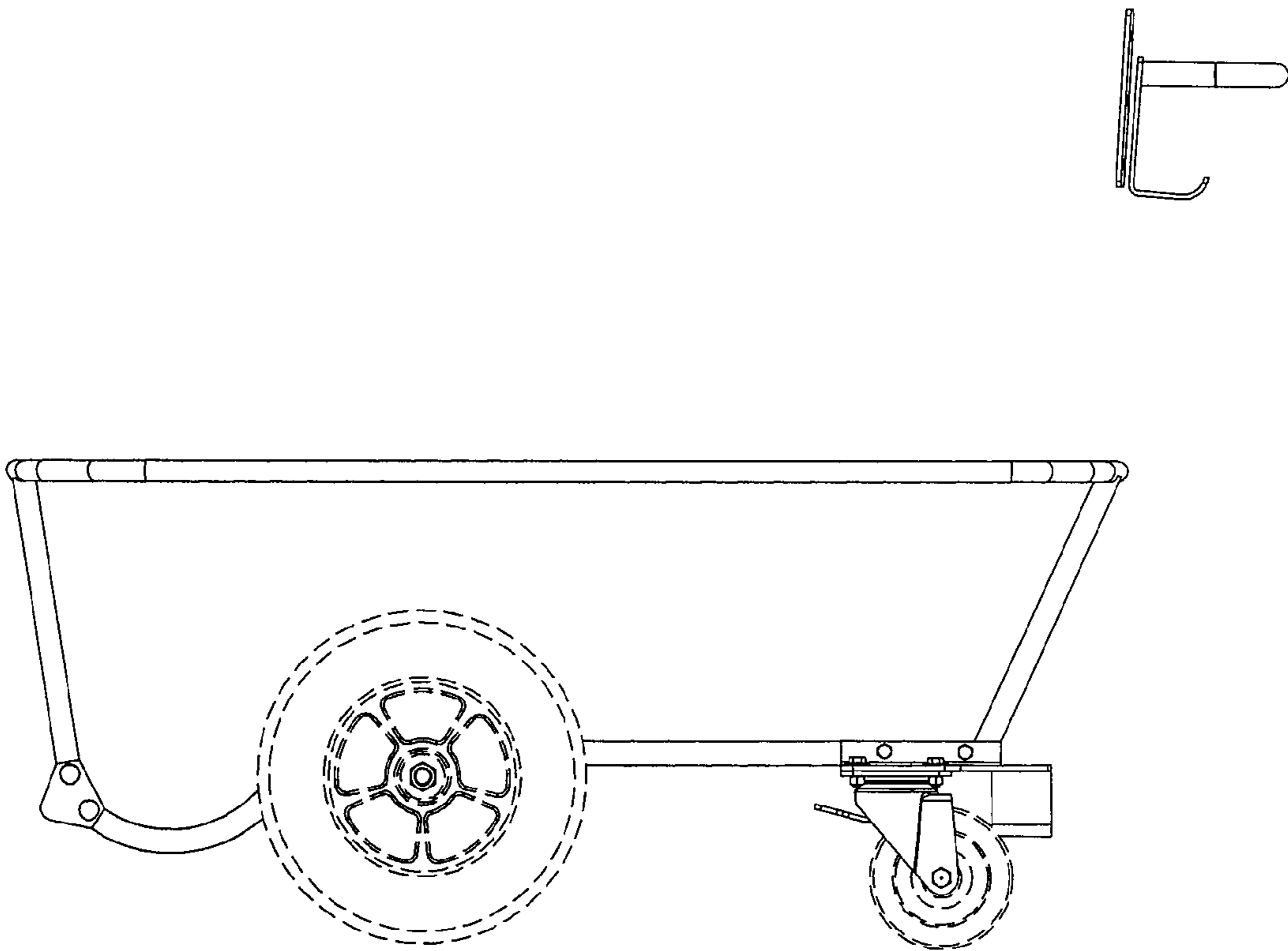


Fig. 5

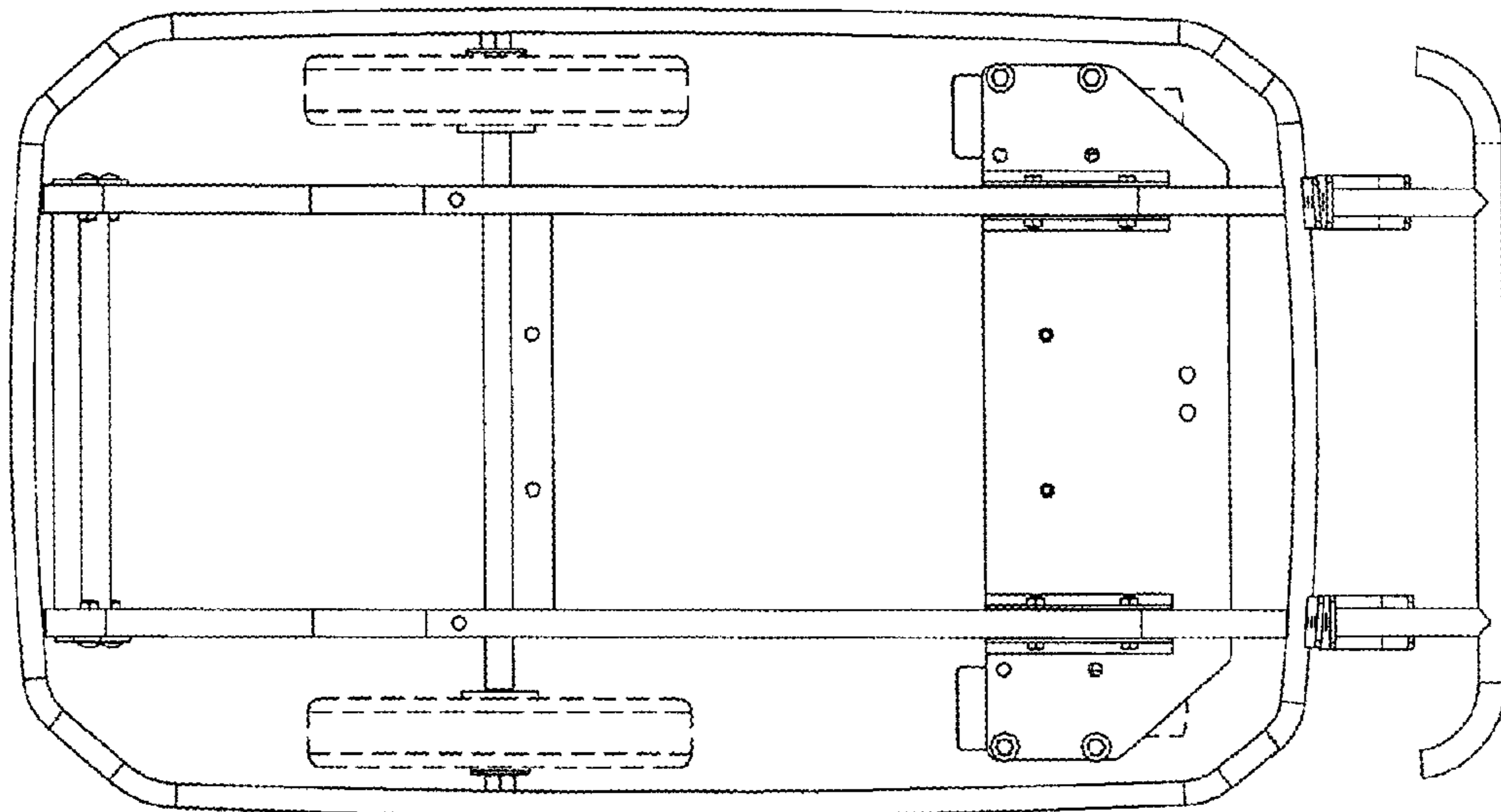


Fig. 6

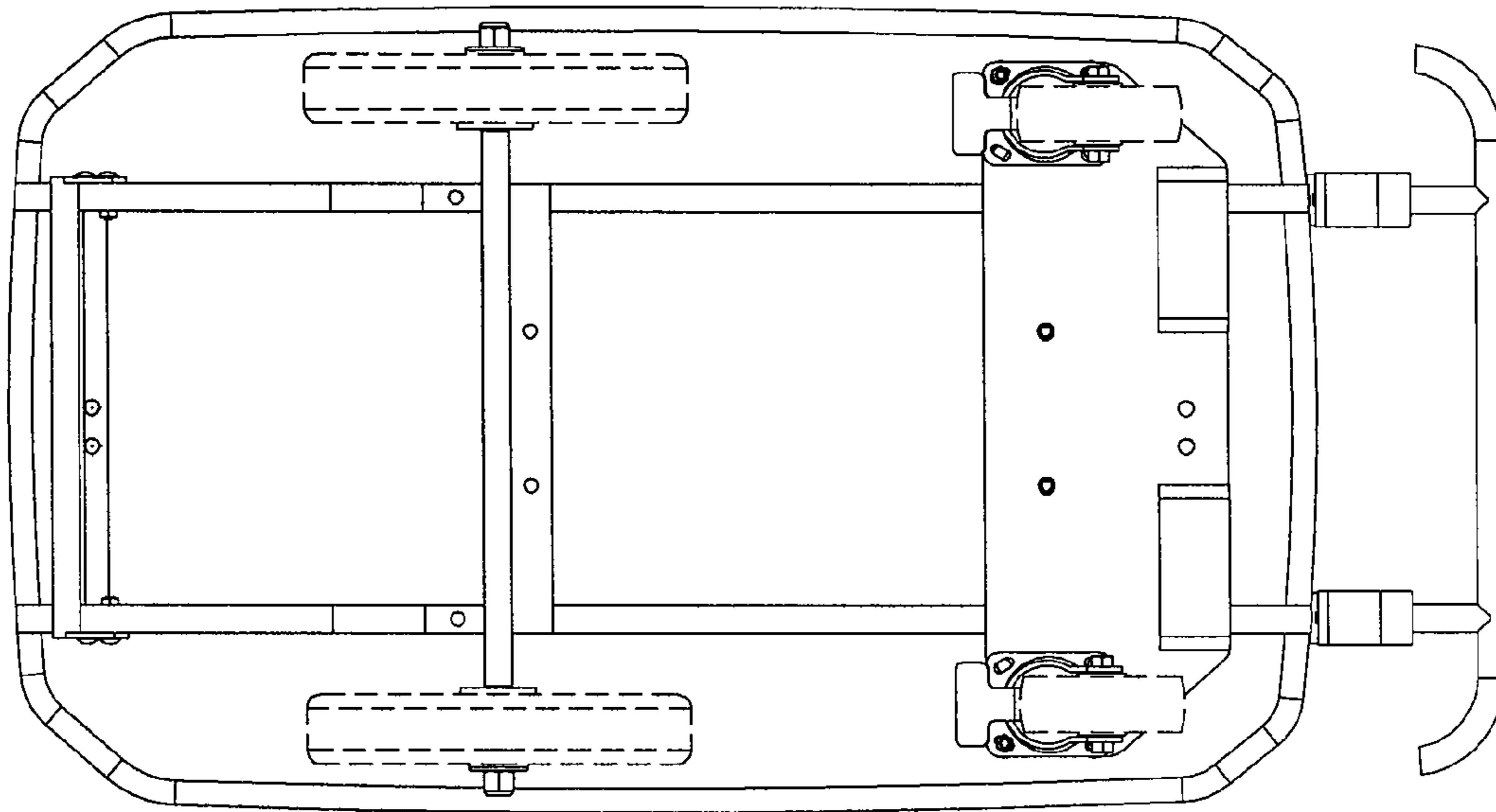


Fig. 7

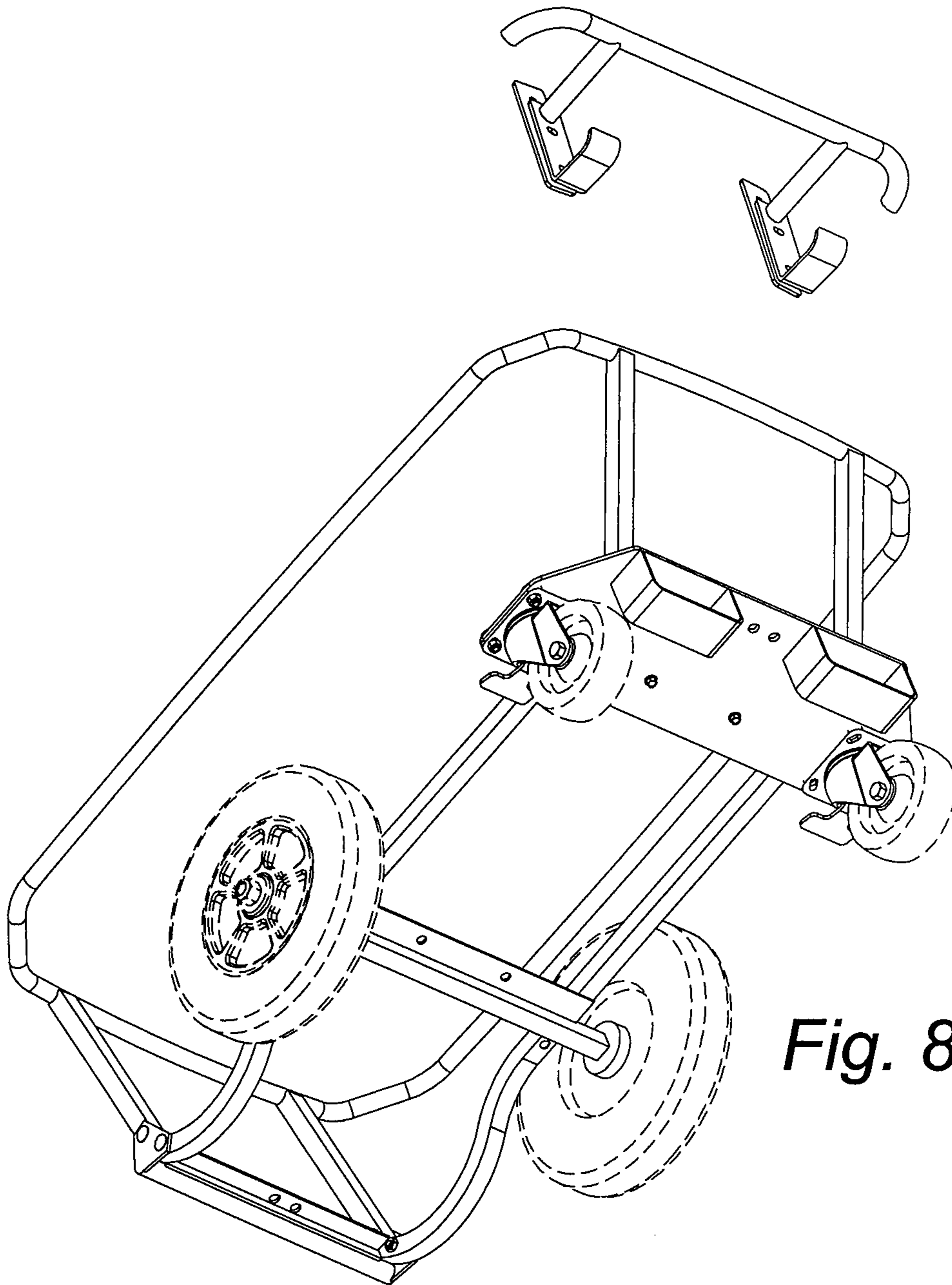


Fig. 8

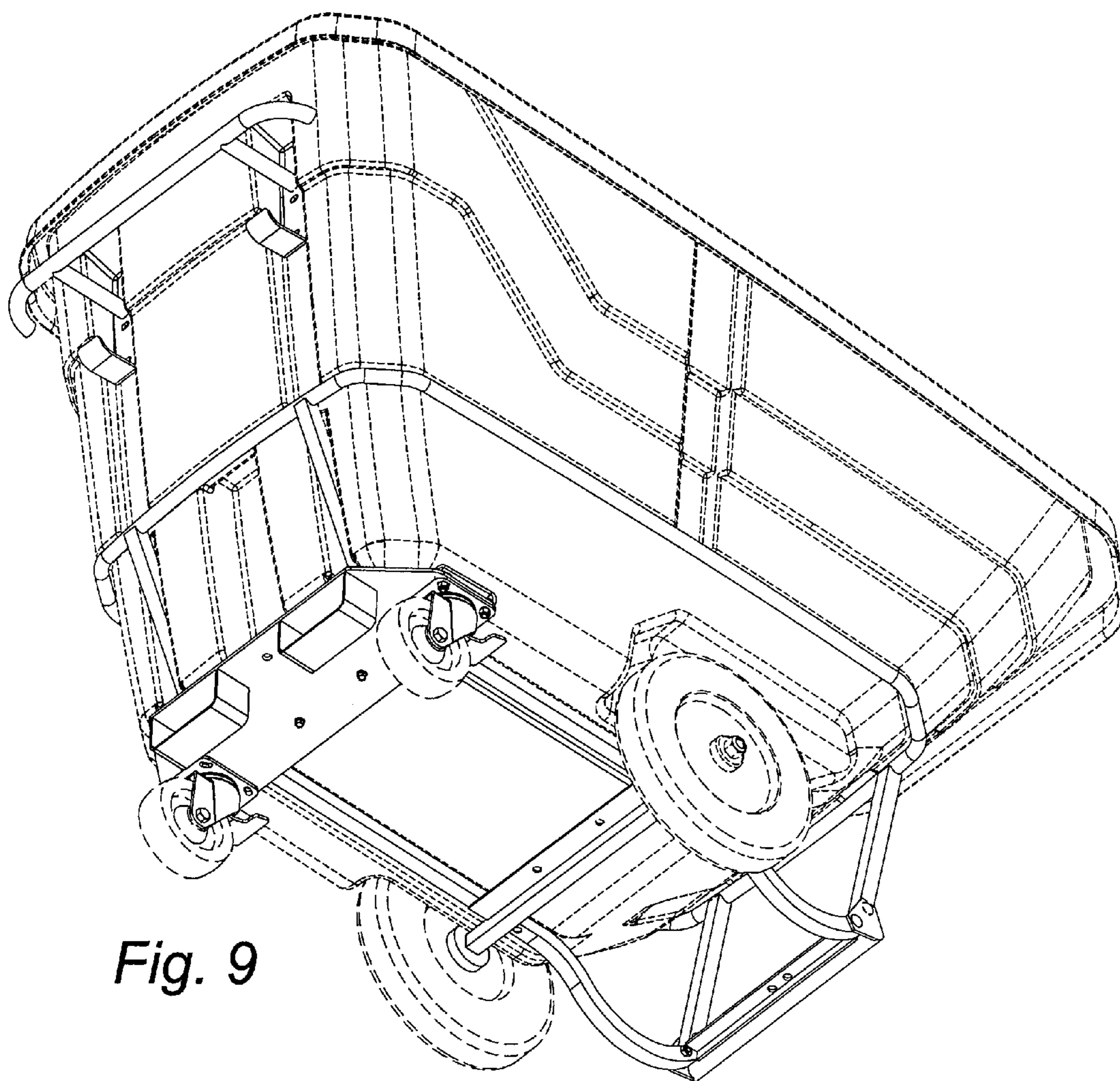


Fig. 9