

US00D767229S

(12) **United States Design Patent** (10) **Patent No.:** **US D767,229 S**  
**Stravitz** (45) **Date of Patent:** **\*\* Sep. 20, 2016**

(54) **BAG-RETAINING INSERT FOR WASTE CONTAINER**

(71) Applicant: **David M Stravitz**, New York, NY (US)

(72) Inventor: **David M Stravitz**, New York, NY (US)

(\*\*) Term: **15 Years**

(21) Appl. No.: **29/552,482**

(22) Filed: **Jan. 22, 2016**

**Related U.S. Application Data**

(63) Continuation-in-part of application No. 14/935,835, filed on Nov. 9, 2015.

(51) **LOC (10) Cl.** ..... **09-09**

(52) **U.S. Cl.**  
USPC ..... **D34/10; D34/6**

(58) **Field of Classification Search**  
USPC ..... D34/1, 5, 6, 10, 11; 248/95, 97, 99, 100  
CPC ..... B65F 1/1415; B65F 67/1227; B65F 67/1238; B65F 67/12  
See application file for complete search history.

(56) **References Cited**

**U.S. PATENT DOCUMENTS**

1,719,185	A	7/1929	Lowy	
2,434,238	A	1/1948	Wolfson	
2,793,373	A	5/1957	Ewing	
3,214,065	A	10/1965	Thornton	
4,427,110	A	1/1984	Shaw, Jr.	
4,902,482	A	2/1990	Faust	
5,174,462	A	12/1992	Hames	
D334,975	S	4/1993	Bunce et al.	
5,520,303	A	5/1996	Bernstein et al.	
5,556,063	A *	9/1996	Boyd	..... B65B 67/1238 24/17 B
5,988,520	A	11/1999	Bitner	
D457,283	S *	5/2002	Wayt	..... D34/1

6,540,103	B2	4/2003	Silvers	
6,612,099	B2	9/2003	Stravitz	
D485,404	S *	1/2004	Del Prato	..... D34/6
6,679,462	B1	1/2004	Valdez	
6,804,930	B2	10/2004	Stravitz	
6,837,394	B2	1/2005	Nnamani	
6,851,251	B2	2/2005	Stravitz	
6,904,867	B2	6/2005	Zamjahn	
6,974,029	B2	12/2005	Morand et al.	
7,086,569	B2	8/2006	Stravitz	
7,114,314	B2	10/2006	Stravitz	
7,146,785	B2	12/2006	Stravitz	
D537,598	S *	2/2007	Moore	..... D34/10
7,225,943	B2	6/2007	Yang et al.	
7,316,100	B2	1/2008	Stravitz et al.	
7,406,814	B2	8/2008	Morand	
7,434,377	B2	10/2008	Stravitz et al.	
7,503,152	B2	3/2009	Stravitz et al.	
7,503,159	B2	3/2009	Stravitz et al.	
7,516,865	B1	4/2009	Pierre	
7,543,716	B2	6/2009	Lin	

(Continued)

*Primary Examiner* — Cynthia Ramirez  
(74) *Attorney, Agent, or Firm* — Brian Roffe

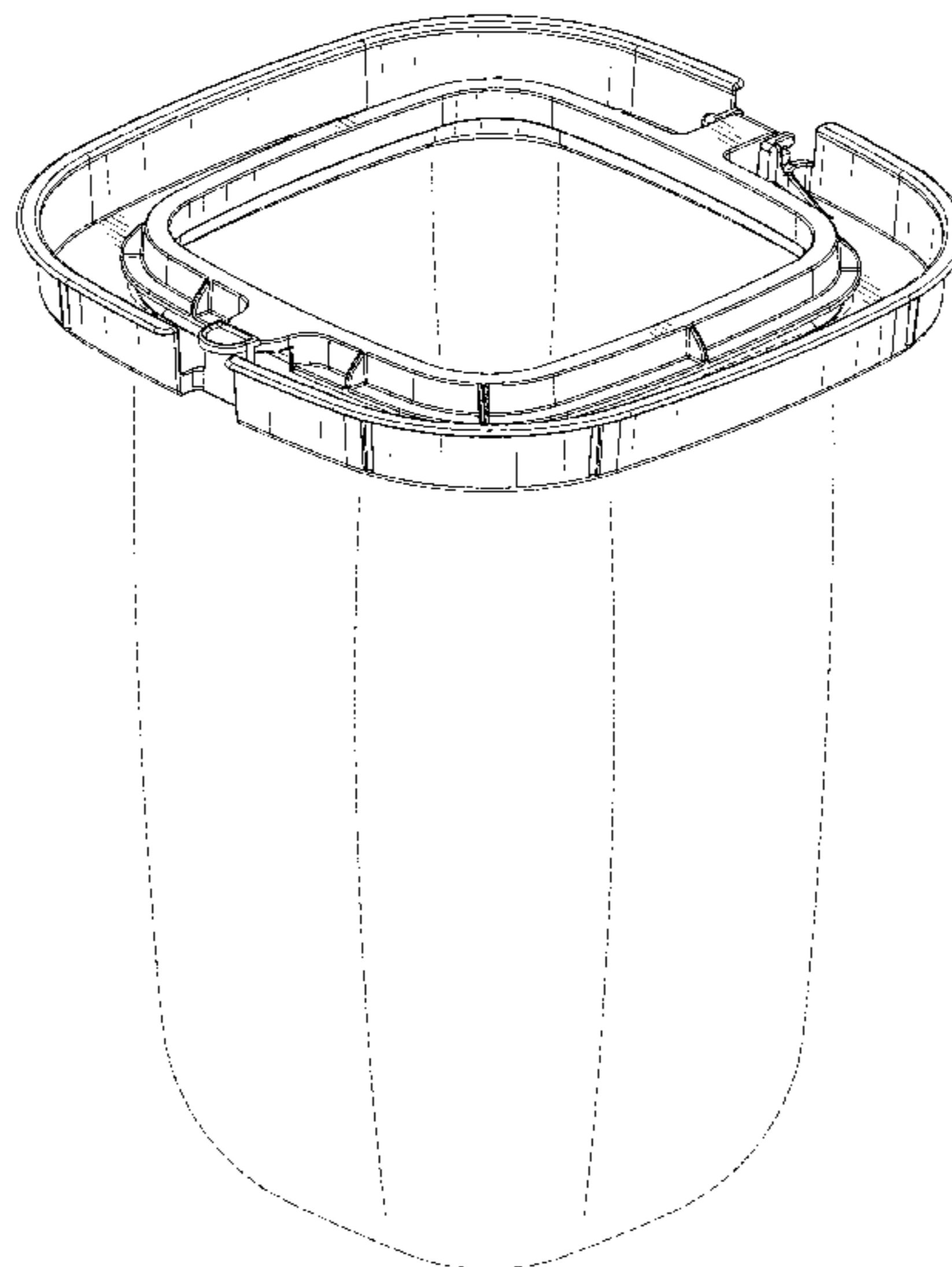
(57) **CLAIM**

The new, original and ornamental design for a bag-retaining insert for waste container, as shown and described.

**DESCRIPTION**

FIG. 1 is a top perspective view of a bag-retaining insert for waste container showing my new design in a situation in which it will be used retaining a bag show in dotted lines; FIG. 2 is a bottom perspective view thereof without the bag; FIG. 3 is a top view thereof; FIG. 4 is a bottom view thereof; FIG. 5 is a front view thereof; FIG. 6 is a rear view thereof; FIG. 7 is a right side view thereof; and, FIG. 8 is a left side view thereof.

**1 Claim, 6 Drawing Sheets**



(56)

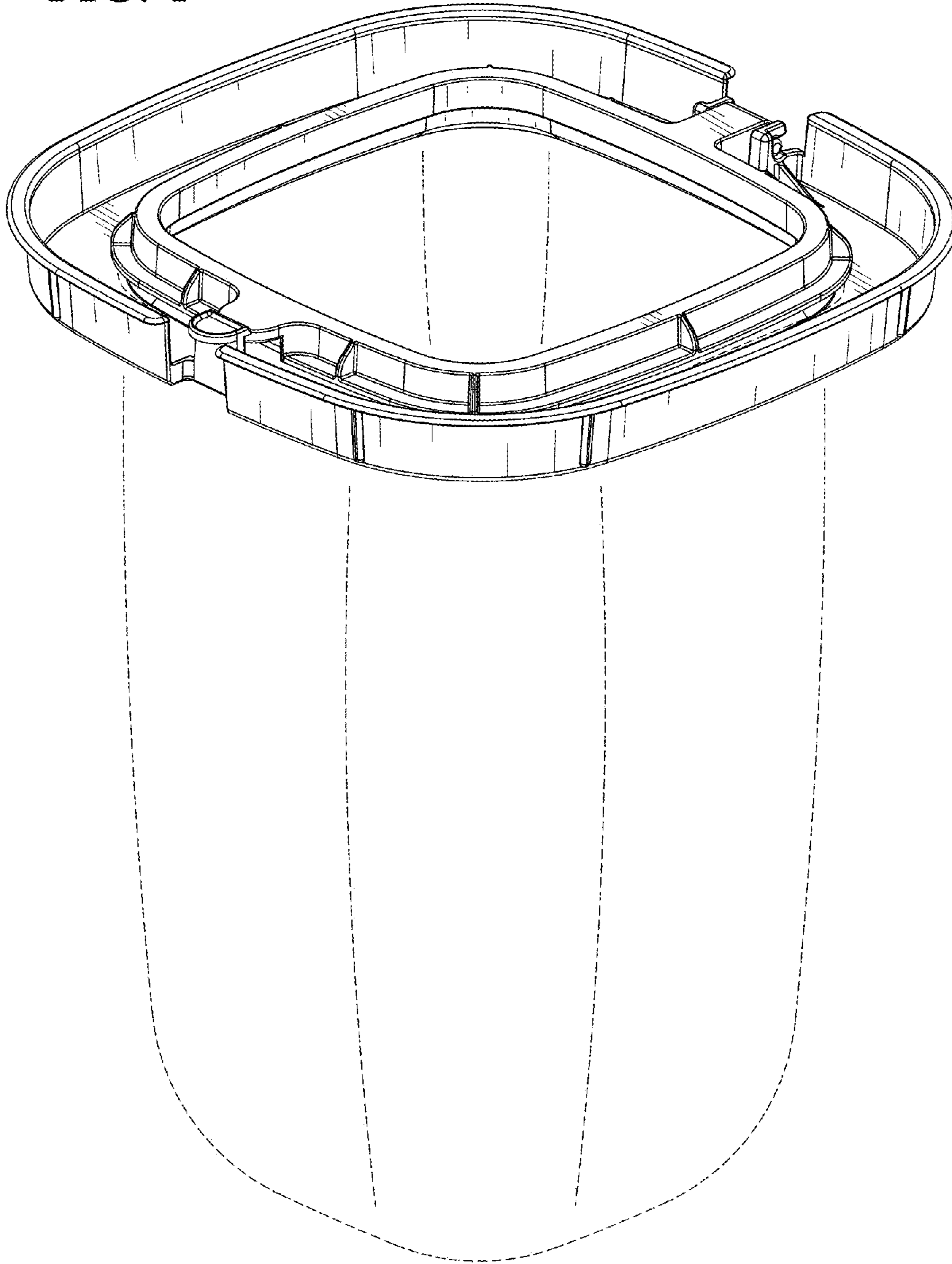
References Cited

U.S. PATENT DOCUMENTS

D596,364 S	7/2009	Morand	8,739,501 B2	6/2014	Dunn et al.
7,617,659 B2	11/2009	Stravitz et al.	8,752,724 B2	6/2014	Babikian et al.
7,696,711 B2	4/2010	Pollack et al.	8,833,592 B2	9/2014	Dunn et al.
7,708,188 B2	5/2010	Stravitz et al.	8,834,023 B1 *	9/2014	Laera ..... B65B 67/1238 383/33
7,712,285 B2	5/2010	Stravitz et al.	8,844,751 B2	9/2014	Sakaguchi et al.
D619,905 S	7/2010	Dunn et al.	8,899,420 B2	12/2014	Morand
7,878,359 B1	2/2011	Ko	8,910,821 B1	12/2014	Stravitz
7,931,150 B2	4/2011	Morand	8,959,880 B2	2/2015	Morand
D639,002 S	5/2011	Dunn et al.	8,973,774 B1	3/2015	Stravitz
D639,003 S	5/2011	Dunn et al.	D728,184 S *	4/2015	Hoggatt ..... D34/6
D639,004 S	5/2011	Dunn et al.	9,085,404 B2	7/2015	Dunn et al.
7,963,414 B1	6/2011	Stravitz	2002/0051739 A1	5/2002	Wang
D652,189 S	1/2012	Morand	2003/0085227 A1	5/2003	Azzarello
D654,738 S	2/2012	Morand	2005/0056649 A1	3/2005	Simonson et al.
8,127,519 B2	3/2012	Stravitz	2008/0134644 A1	6/2008	Knuth et al.
D657,107 S *	4/2012	Fitzpatrick ..... D34/6	2008/0264948 A1	10/2008	Kovacevich et al.
8,215,089 B2	7/2012	Stravitz	2009/0046955 A1 *	2/2009	Schember ..... B65F 1/1415 383/33
8,235,237 B1	8/2012	Stravitz	2010/0005762 A1	1/2010	Stravitz
8,266,871 B1	9/2012	Stravitz	2010/0140423 A1 *	6/2010	Davies ..... B65F 1/1415 248/101
8,393,489 B1	3/2013	Stravitz	2011/0099958 A1	5/2011	Dunn et al.
8,567,157 B2	10/2013	Dunn et al.	2012/0211494 A1	8/2012	Morand
8,635,838 B2	1/2014	Dunn et al.	2013/0181000 A1	7/2013	Miksovsky et al.
8,647,587 B2	2/2014	Dunn et al.	2013/0252534 A1	9/2013	Smith
8,657,139 B1	2/2014	Bodine	2014/0027452 A1	1/2014	Pan
8,690,017 B2	4/2014	Dunn et al.	2014/0042168 A1	2/2014	Dunn et al.

\* cited by examiner

FIG. 1



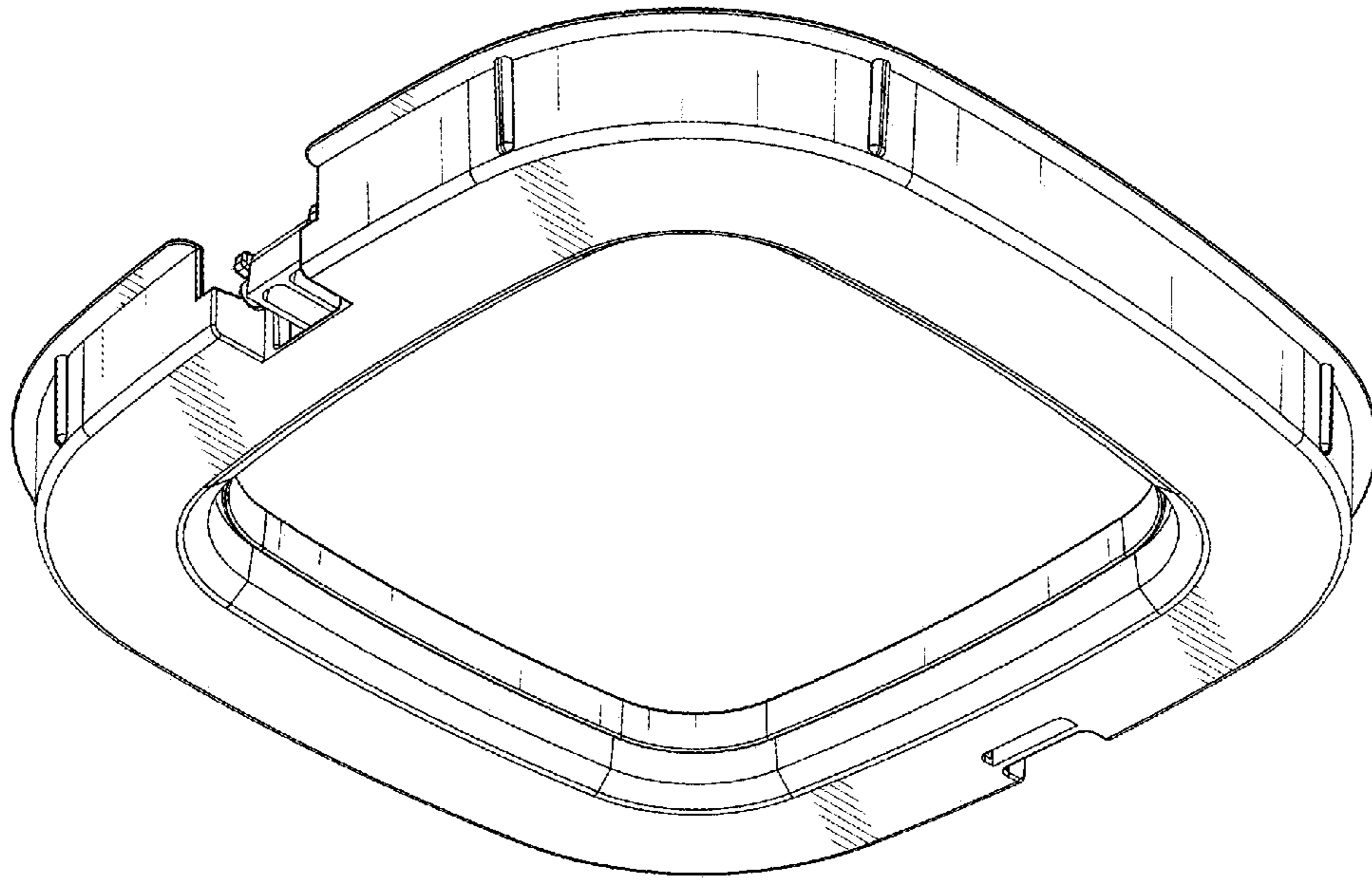


FIG. 2

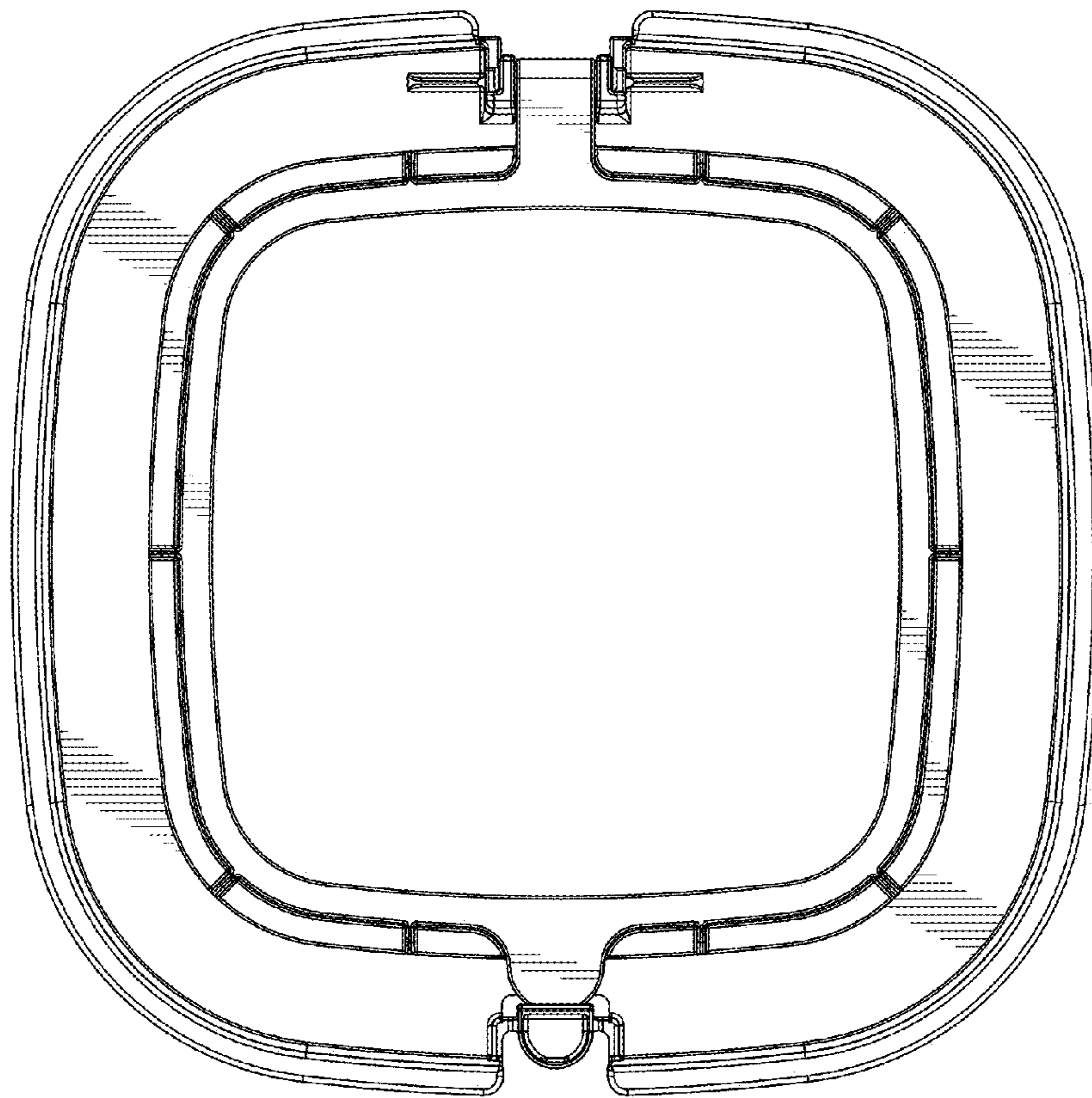


FIG. 3

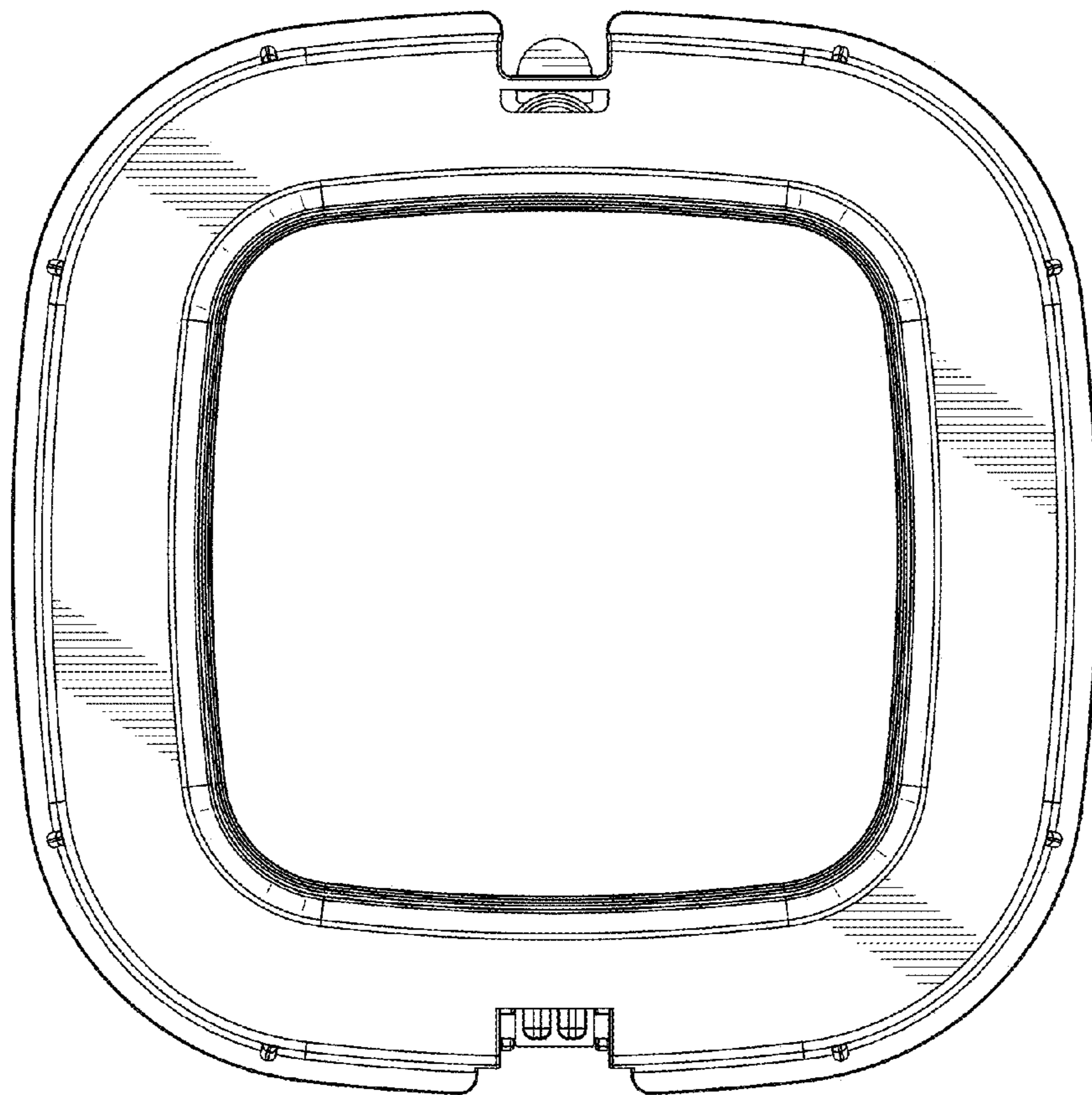


FIG. 4

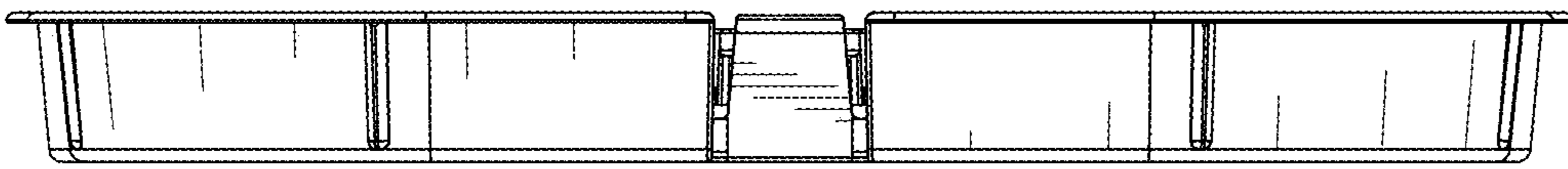


FIG. 5

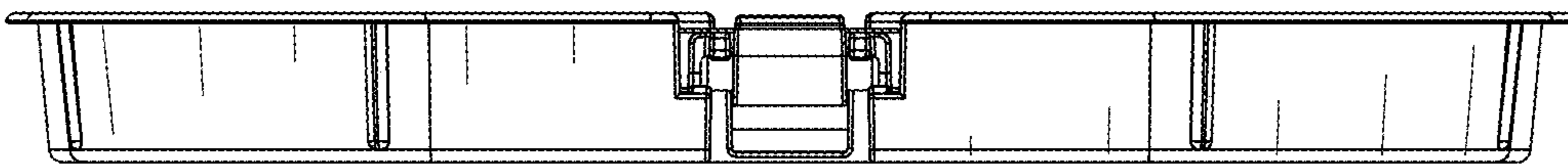


FIG. 6

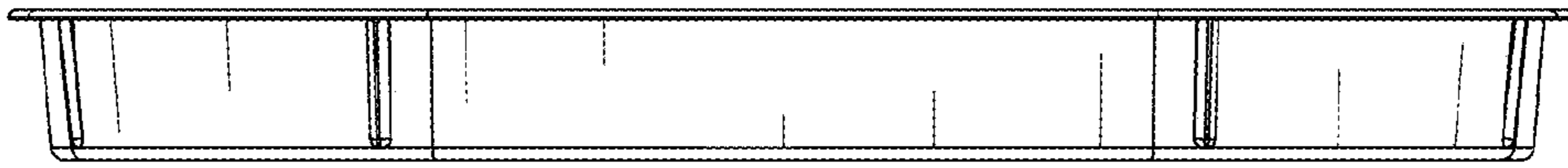


FIG. 7

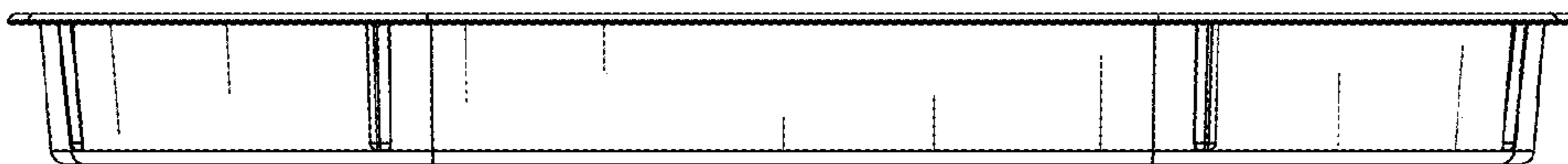


FIG. 8