



US00D767227S

(12) **United States Design Patent** (10) **Patent No.:** **US D767,227 S**
Del Rosario Roy et al. (45) **Date of Patent:** **** Sep. 20, 2016**

- (54) **CONTAINER**
- (71) Applicant: **IPL INC.**, St-Damien (CA)
- (72) Inventors: **Daisy Del Rosario Roy**, Lévis (CA);
Stéphane Mercier, St-Damien (CA);
Jean-Gabriel Labrecque,
St-Damien-de-Buckland (CA)
- (73) Assignee: **IPL INC.**, St-Damien (CA)

D716,011	S	*	10/2014	Jackson	D32/53
D716,012	S	*	10/2014	Jackson	D32/54
D728,240	S		5/2015	Luburic		
D729,480	S	*	5/2015	Silkaitis	D32/53
D729,481	S	*	5/2015	Silkaitis	D32/53
2002/0148846	A1		10/2002	Luburic		
2004/0084465	A1		5/2004	Luburic		
2005/0072783	A1		4/2005	Choi		
2011/0017740	A1		1/2011	Luburic		
2013/0186897	A1		7/2013	Luburic		
2015/0129593	A1		5/2015	Luburic		

(**) Term: **15 Years**

(21) Appl. No.: **29/558,665**

(22) Filed: **Mar. 21, 2016**

(51) **LOC (10) Cl.** **07-07**

(52) **U.S. Cl.**
USPC **D32/53**

(58) **Field of Classification Search**
USPC D32/53-54; 15/260-264, 120.1;
220/904, 694-701, 265
CPC A47L 13/58
See application file for complete search history.

(56) **References Cited**

U.S. PATENT DOCUMENTS

5,299,706	A	*	4/1994	Wardell, Jr.	B65D 51/24 220/254.1
6,471,083	B1		10/2002	Helms		
D467,398	S	*	12/2002	Kohn	D32/53.1
D506,608	S	*	6/2005	Dong	B65D 25/32 D3/276
7,134,567	B2		11/2006	Luburic		
D582,119	S	*	12/2008	Chafe	D32/54
D593,269	S	*	5/2009	Weiler	D32/53
7,743,951	B2		6/2010	Vogel et al.		
7,909,212	B2		3/2011	Parve		
8,448,804	B2		5/2013	Luburic		
8,839,975	B2		9/2014	Luburic		

FOREIGN PATENT DOCUMENTS

CA	2379436	10/2002
CA	2425492	9/2013
CA	2522230	8/2014
CA	2868491	10/2014
CA	2562328	5/2015

* cited by examiner

Primary Examiner — Robin V Webster

(74) *Attorney, Agent, or Firm* — Goudreau Gage Dubuc;
Gwendoline Bruneau

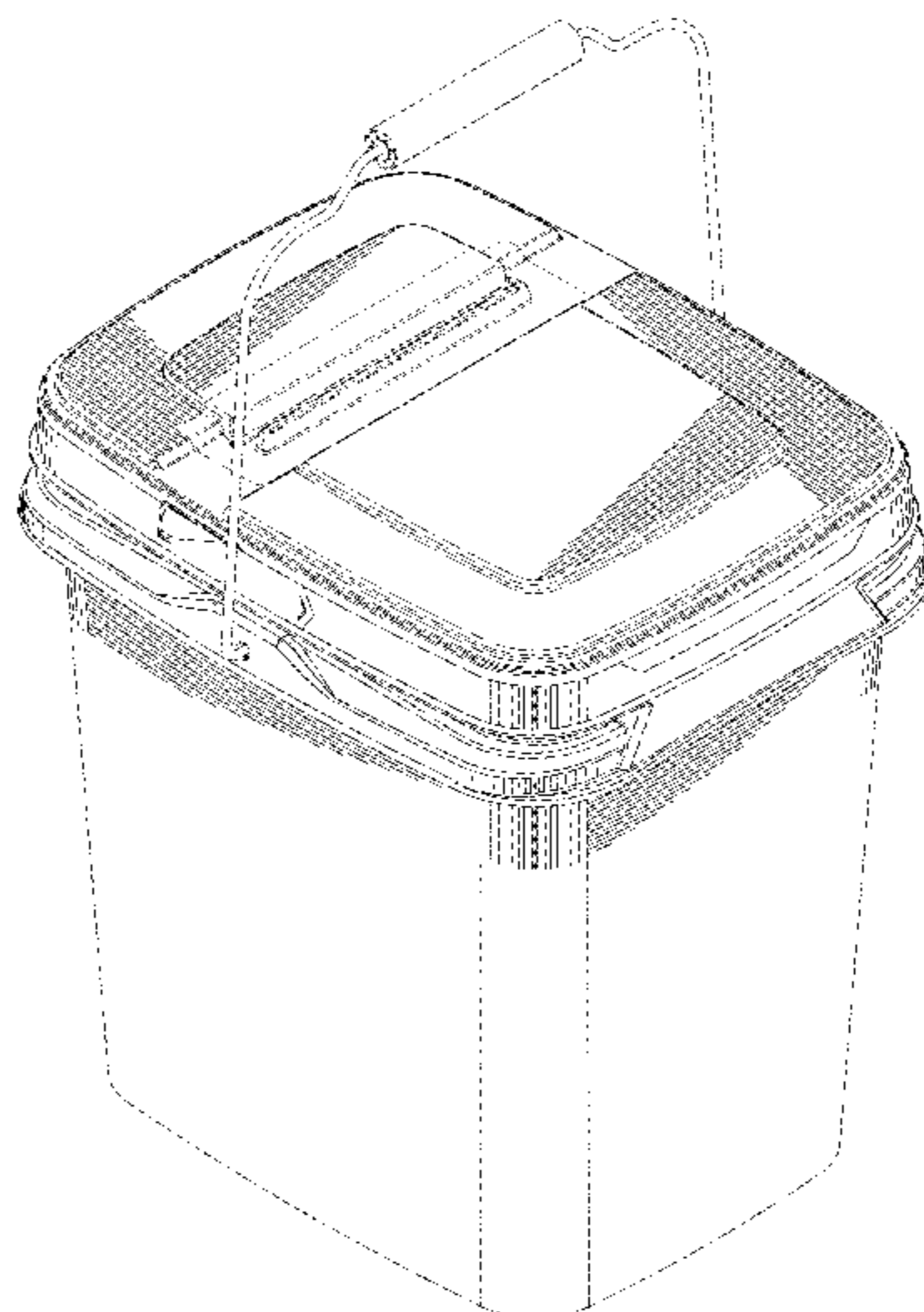
(57) **CLAIM**

The ornamental design for a container, as shown and described.

DESCRIPTION

FIG. 1 is a perspective view of the container;
FIG. 2 is a first side view of the container of FIG. 1;
FIG. 3 is a second side view of the container of FIG. 1;
FIG. 4 is a third side view of the container of FIG. 1;
FIG. 5 is a top view of the container of FIG. 1; and,
FIG. 6 is a fourth side view of the container of FIG. 1.
The design consists of the features of shape, pattern, configuration and ornamentation of the container as shown in solid lines. The broken lines do not form part of the design.

1 Claim, 6 Drawing Sheets



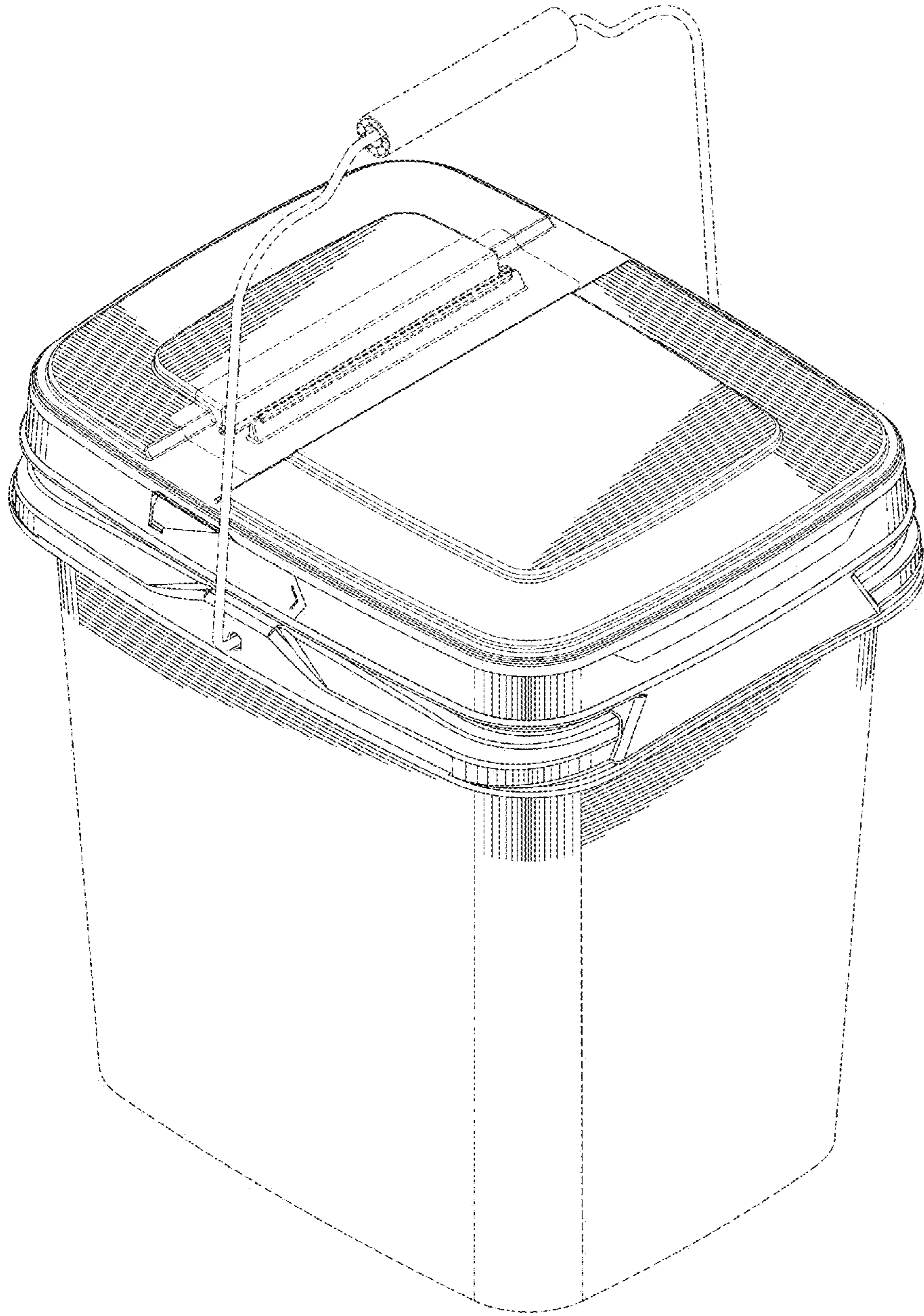


FIG. 1

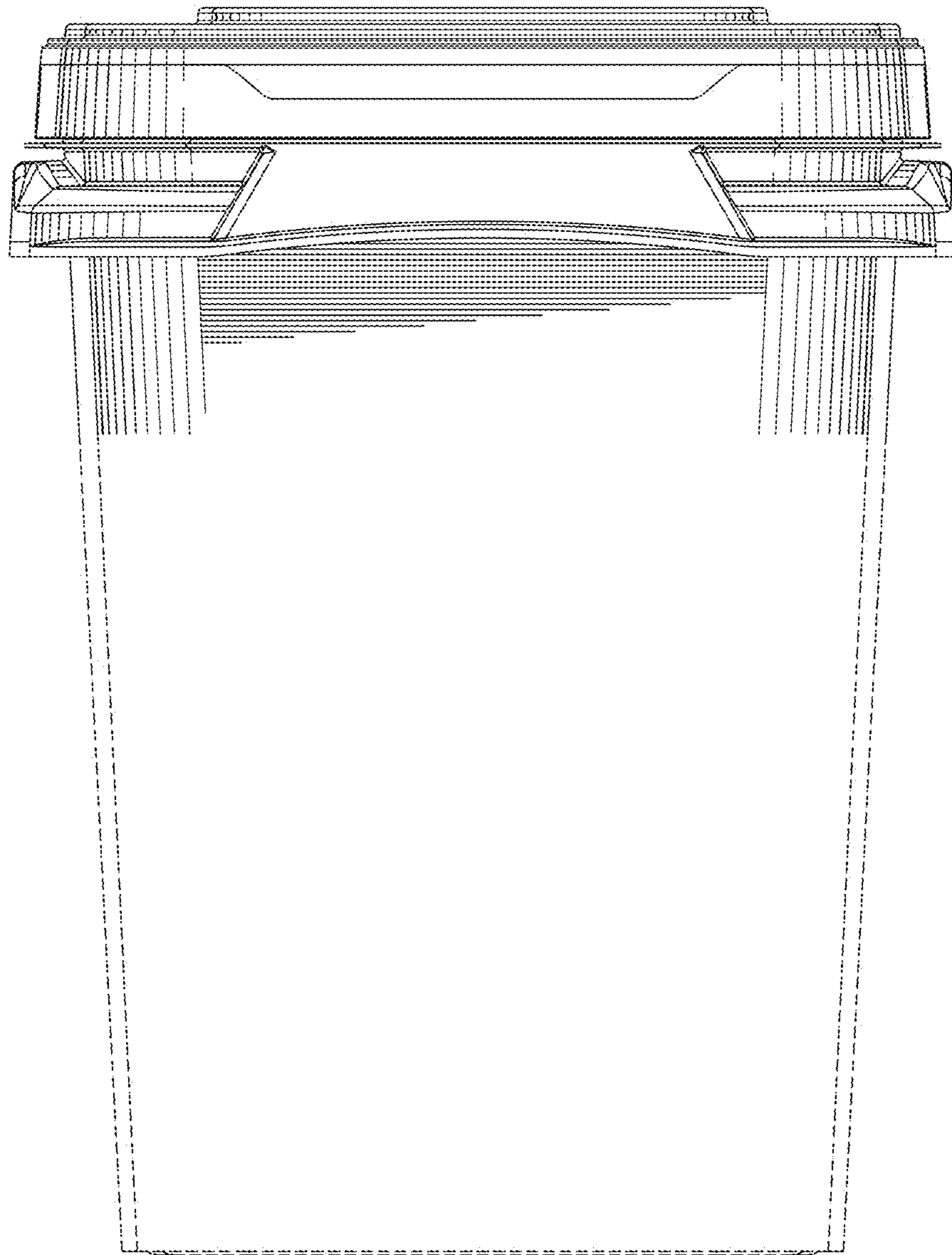
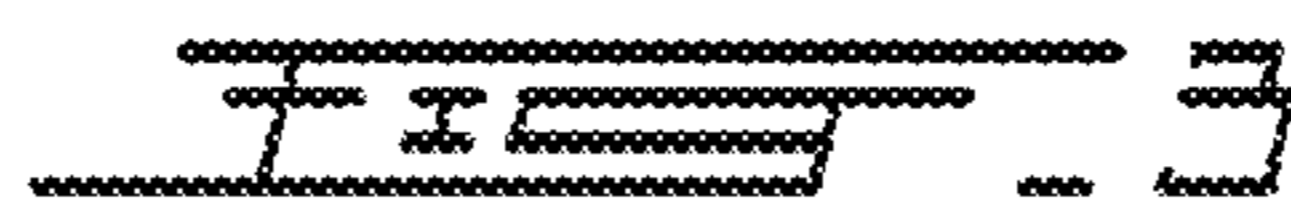
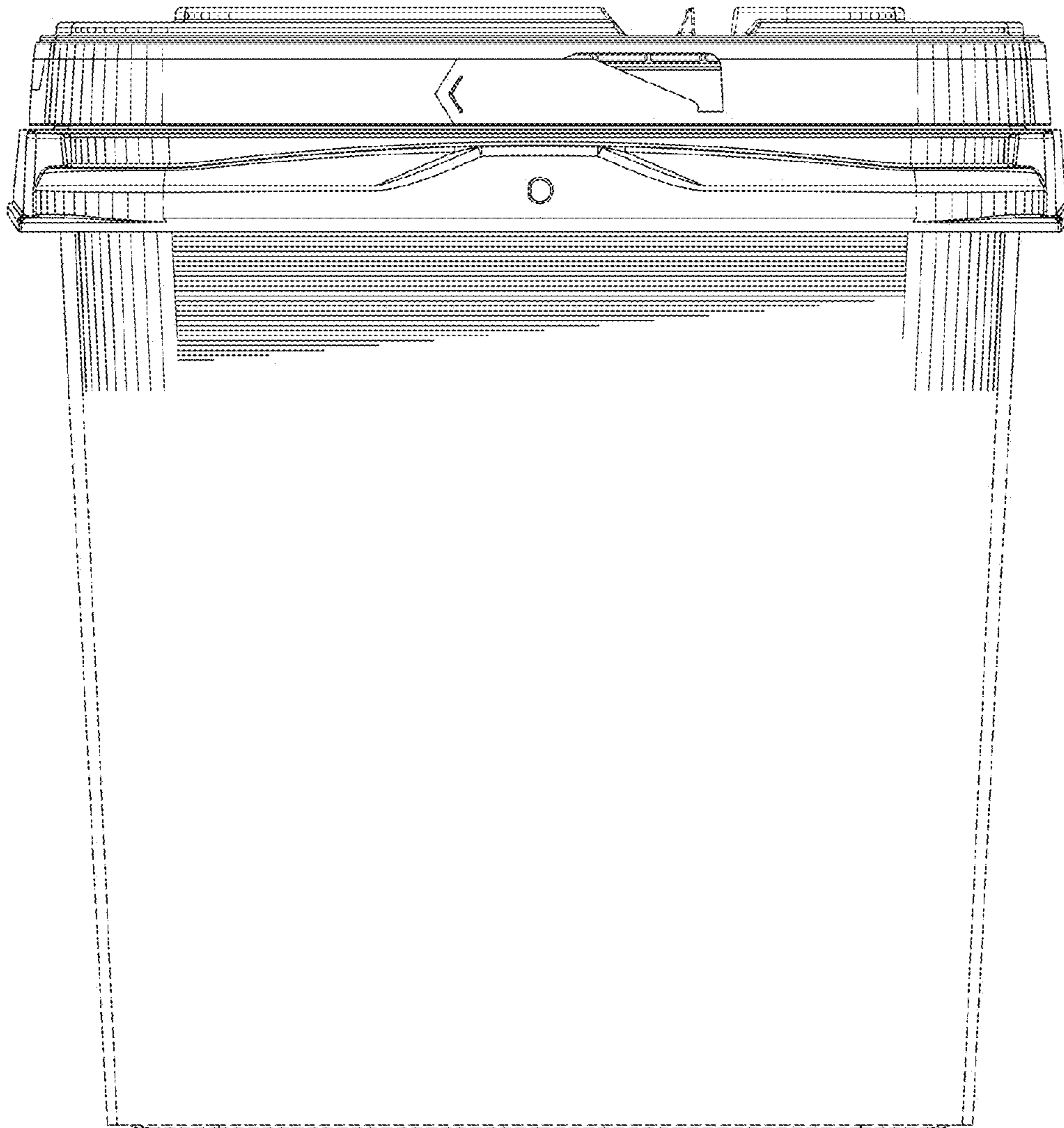
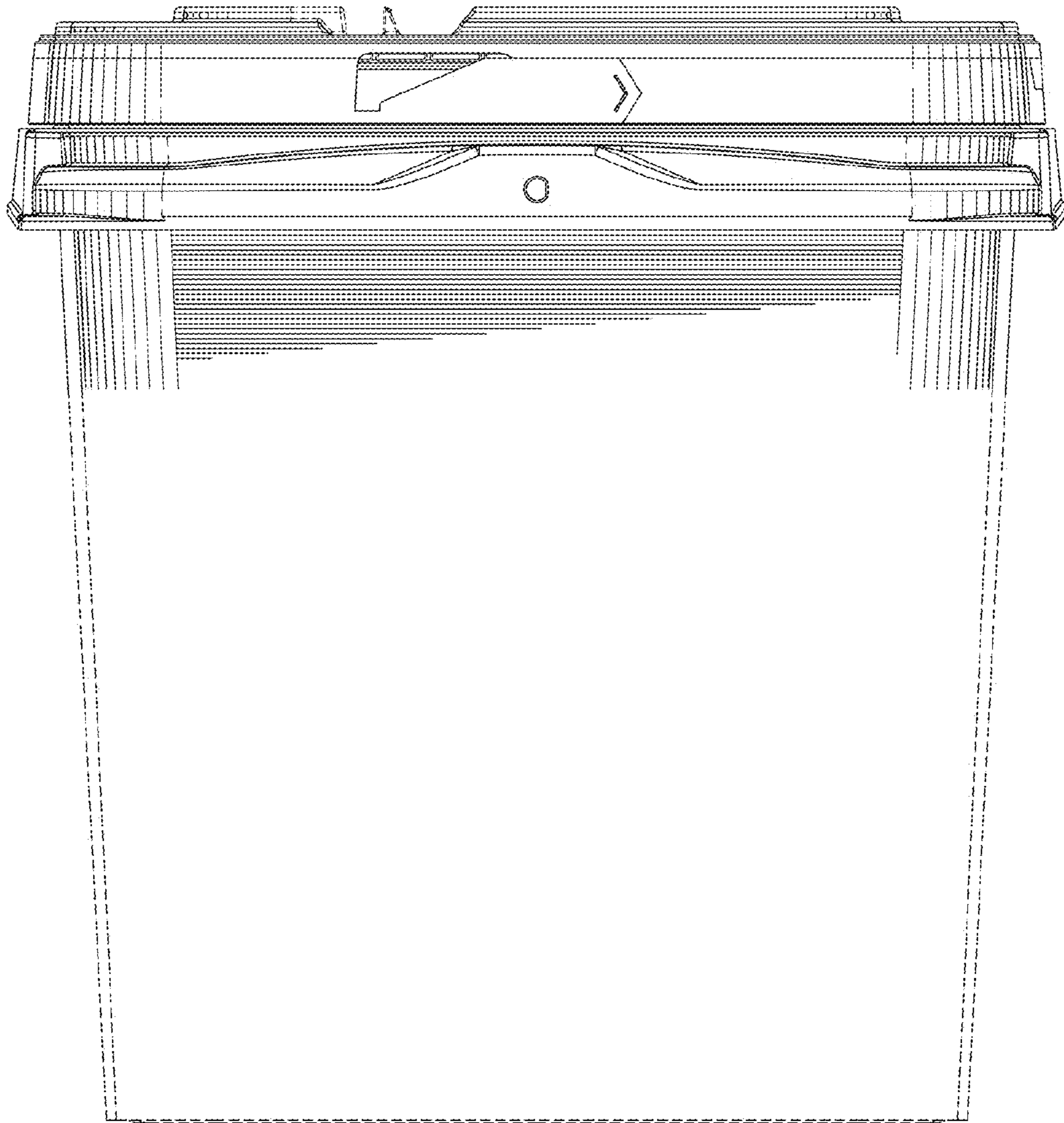


FIG. 2





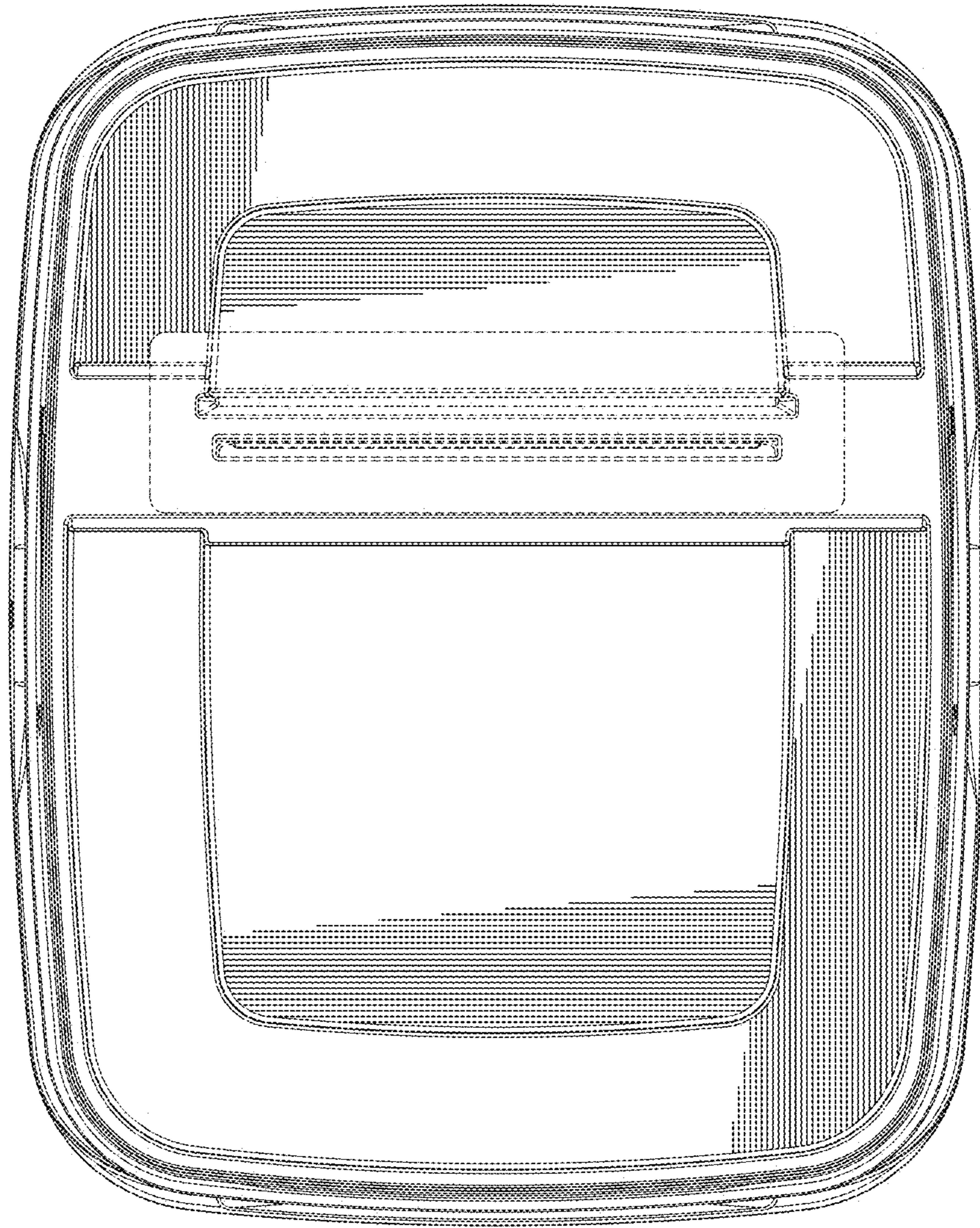


FIG. 5

