



US00D767224S

(12) **United States Design Patent**  
**Santiago**

(10) **Patent No.:** **US D767,224 S**

(45) **Date of Patent:** **\*\* Sep. 20, 2016**

(54) **FLOOR CLEANER ACCESSORY TOOL**

(71) Applicant: **BISSELL Homecare, Inc.**, Grand Rapids, MI (US)

(72) Inventor: **Jose Carlito Santiago**, Belmont, MI (US)

(73) Assignee: **BISSELL Homecare, Inc.**, Grand Rapids, MI (US)

(\*\*) Term: **14 Years**

(21) Appl. No.: **29/491,705**

(22) Filed: **May 23, 2014**

(51) **LOC (10) Cl.** ..... **15-05**

(52) **U.S. Cl.**  
USPC ..... **D32/32**

(58) **Field of Classification Search**  
USPC ..... D32/31-33, 40, 50, 25  
CPC ..... A47L 11/4044; A47L 9/02; A47L 13/12;  
A47L 13/20; A47L 1/08; A47K 7/02  
See application file for complete search history.

(56) **References Cited**

**U.S. PATENT DOCUMENTS**

|              |         |                       |        |
|--------------|---------|-----------------------|--------|
| D206,055 S * | 10/1966 | Bearse .....          | D32/32 |
| D239,243 S * | 3/1976  | Hachtmann et al. .... | D32/32 |
| D266,962 S * | 11/1982 | Hachtmann .....       | D32/33 |
| D296,372 S * | 6/1988  | Toney .....           | D32/32 |
| D369,448 S * | 4/1996  | de Blois .....        | D32/33 |
| D419,733 S * | 1/2000  | Medema .....          | D32/32 |

|              |        |                    |        |
|--------------|--------|--------------------|--------|
| D520,201 S * | 5/2006 | Dyson .....        | D32/33 |
| D520,695 S * | 5/2006 | Dyson .....        | D32/33 |
| D590,111 S * | 4/2009 | Wiljanen .....     | D32/32 |
| D590,112 S * | 4/2009 | Sun .....          | D32/32 |
| D590,113 S * | 4/2009 | Benacquisto .....  | D32/32 |
| D590,553 S * | 4/2009 | Crevling, Jr. .... | D32/32 |
| D621,112 S * | 8/2010 | Benacquisto .....  | D32/33 |
| D621,566 S * | 8/2010 | Crawley .....      | D32/33 |
| D658,832 S * | 5/2012 | Eden .....         | D32/32 |
| D666,373 S * | 8/2012 | Eden .....         | D32/32 |
| D674,978 S * | 1/2013 | Hill .....         | D32/32 |
| D701,011 S * | 3/2014 | Miller .....       | D32/32 |

\* cited by examiner

*Primary Examiner* — Ruth McInroy

(74) *Attorney, Agent, or Firm* — McGarry Bair PC

(57) **CLAIM**

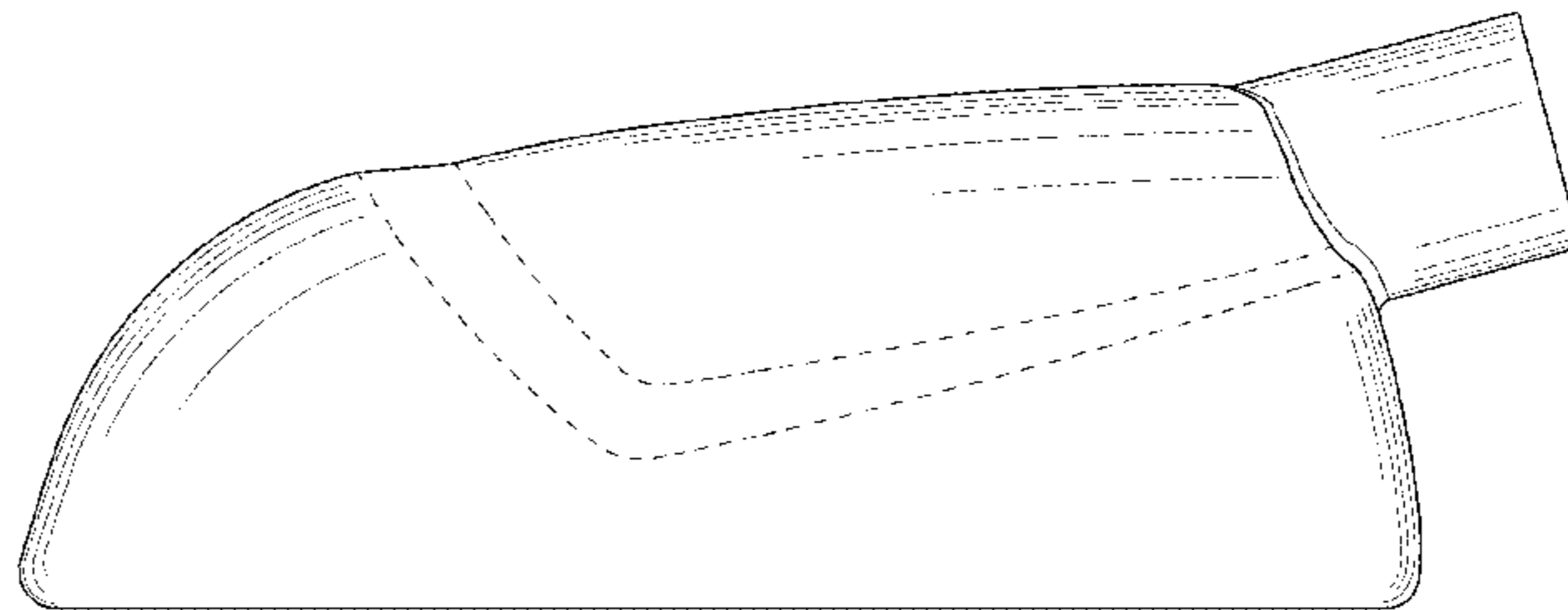
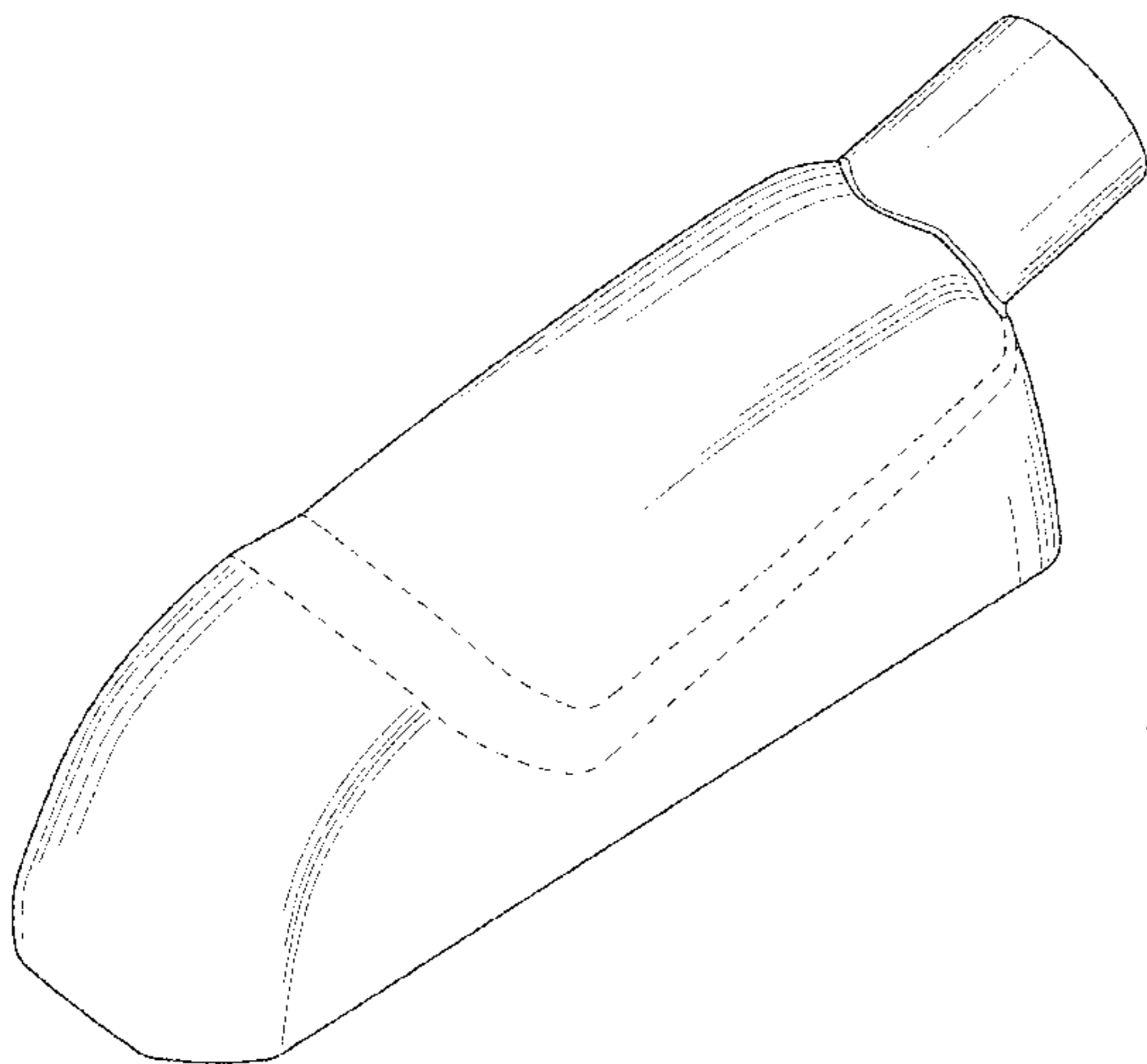
The ornamental design for a floor cleaner accessory tool, as shown and described.

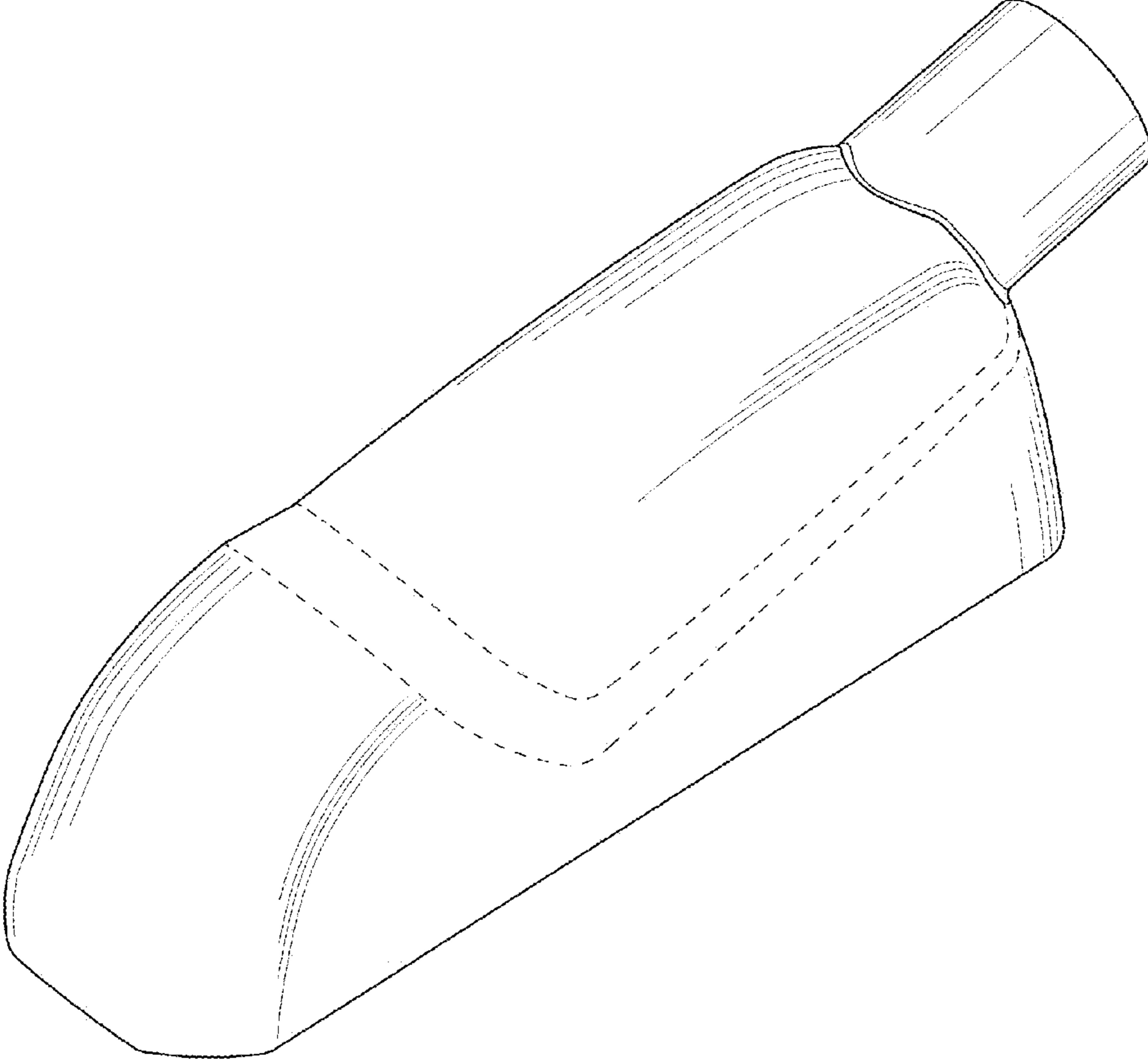
**DESCRIPTION**

FIG. 1 is a front perspective view a floor cleaner accessory tool showing my new design;  
FIG. 2 is a front view thereof;  
FIG. 3 is a rear view thereof;  
FIG. 4 is a left side view thereof;  
FIG. 5 is a right side view thereof; and,  
FIG. 6 is a top view thereof.

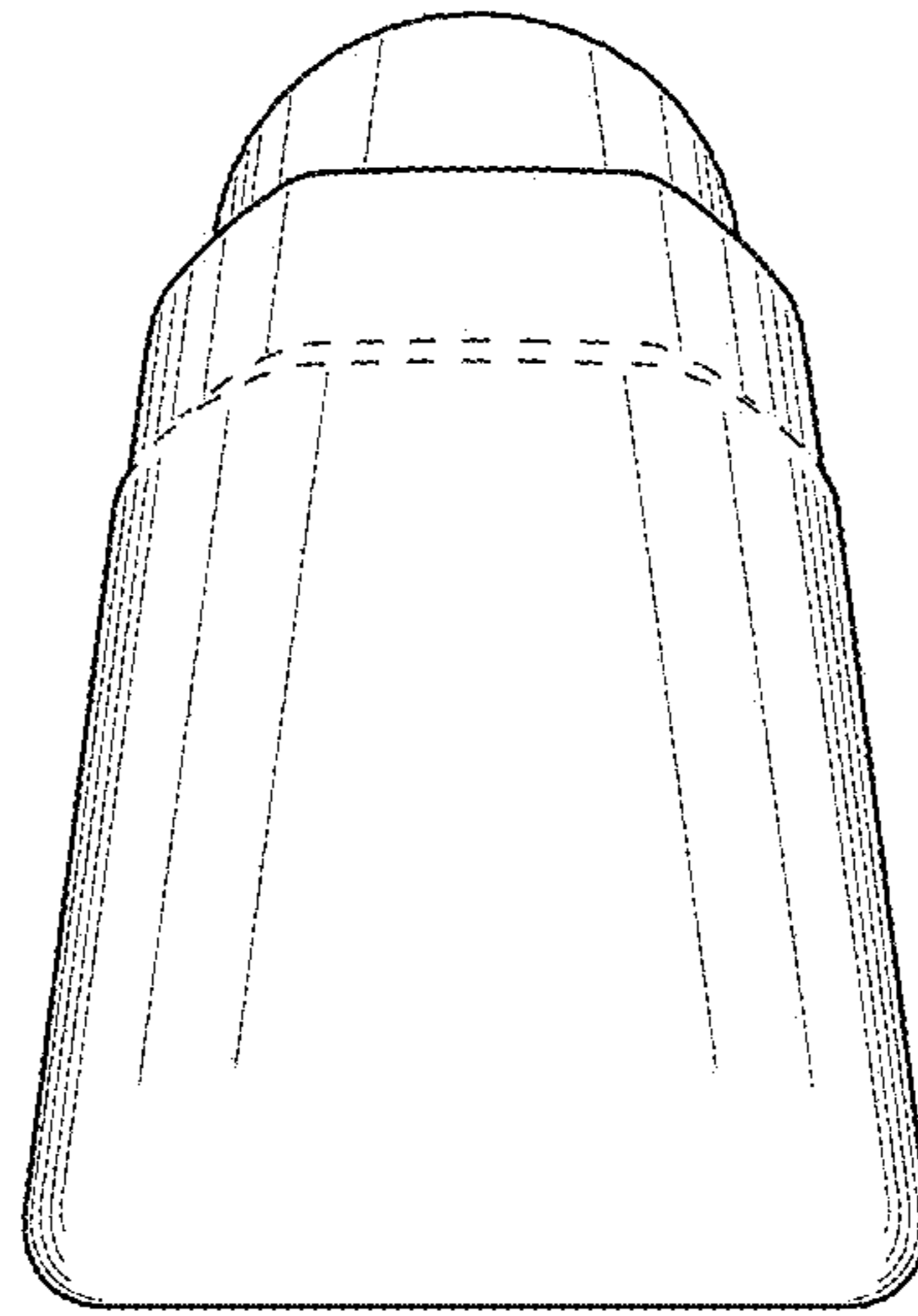
The broken lines in the figures illustrate the boundaries of the claim, and form no part of the claimed design.

**1 Claim, 4 Drawing Sheets**

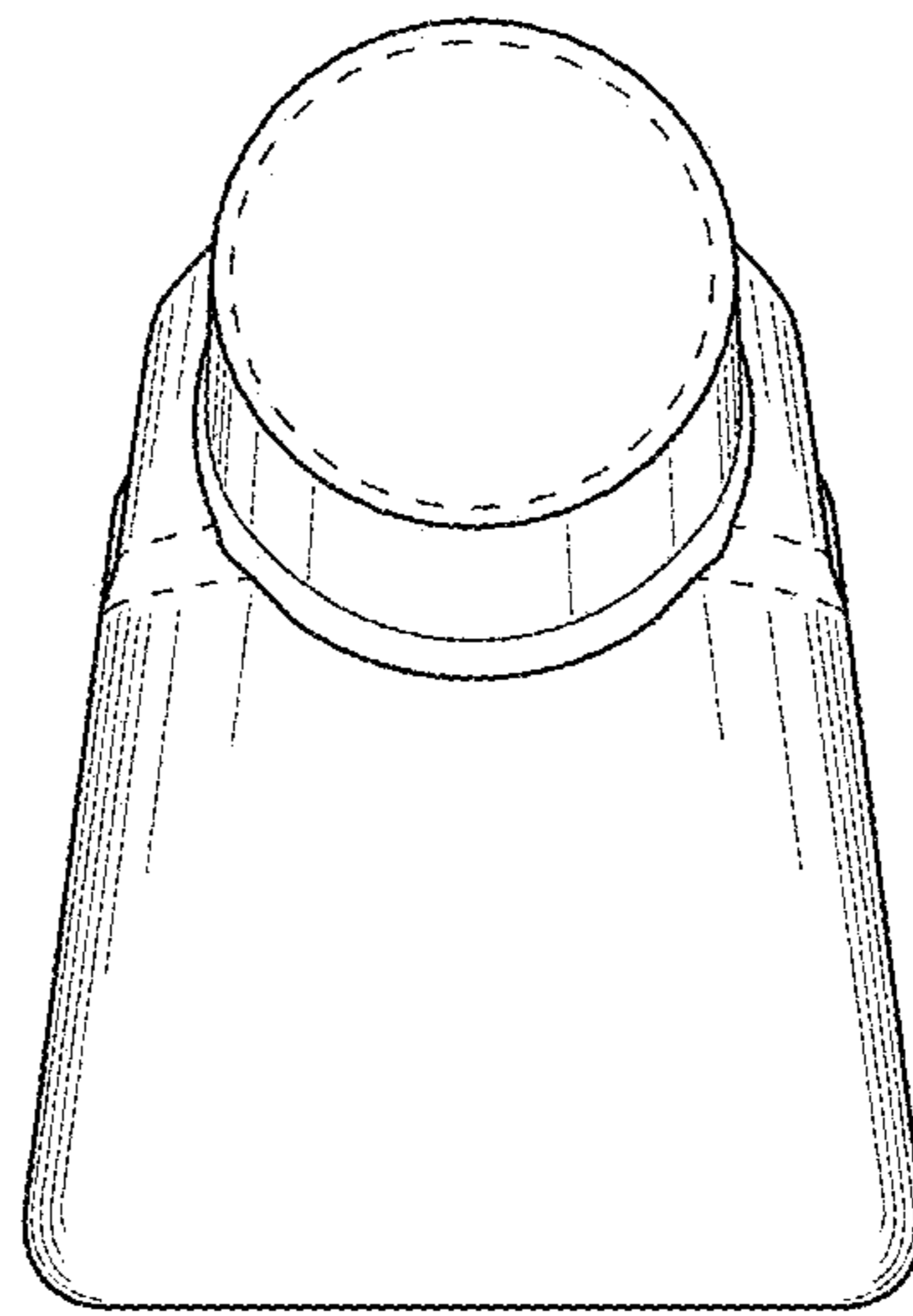




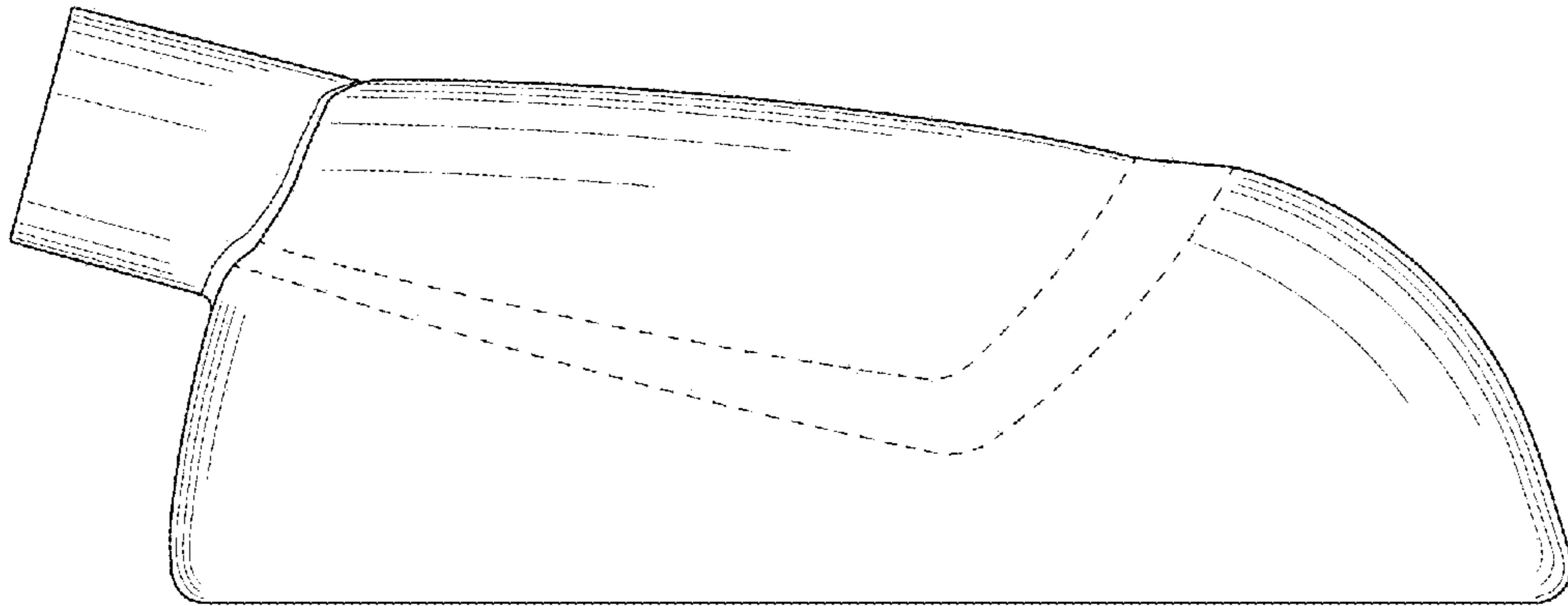
**FIG. 1**



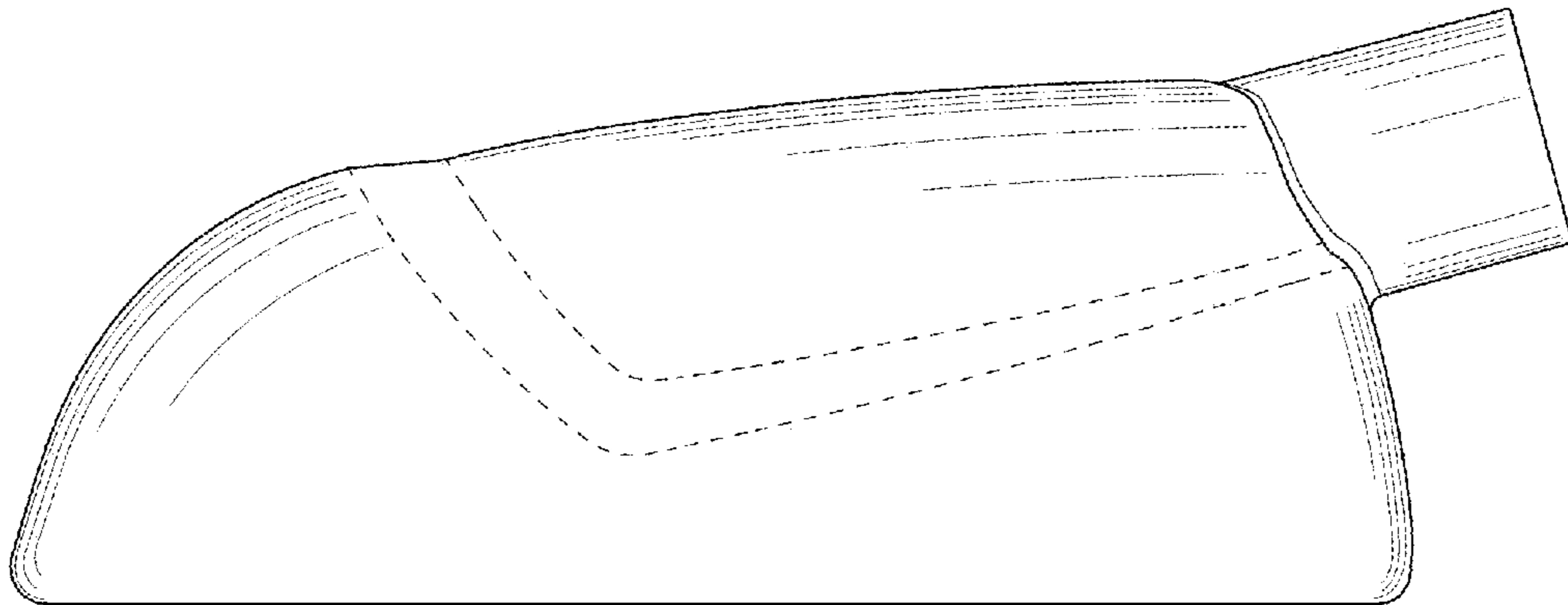
**FIG. 2**



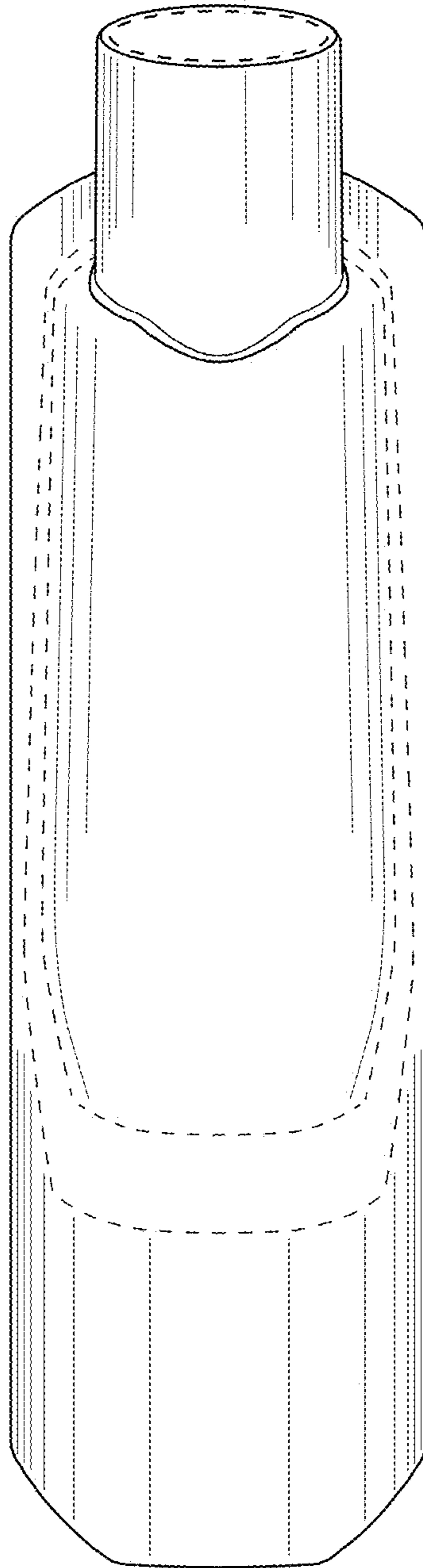
**FIG. 3**



**FIG. 4**



**FIG. 5**



**FIG. 6**