



US00D767222S

(12) **United States Design Patent**
Houghton

(10) **Patent No.:** **US D767,222 S**

(45) **Date of Patent:** **** Sep. 20, 2016**

(54) **STICK VACUUM CHASSIS**

(71) Applicant: **BLACK & DECKER INC.**, Newark,
DE (US)

(72) Inventor: **Stephen Houghton**, Newcastle upon
Tyne (GB)

(73) Assignee: **BLACK & DECKER INC.**, New
Britain, CT (US)

(**) Term: **14 Years**

(21) Appl. No.: **29/493,254**

(22) Filed: **Jun. 6, 2014**

(30) **Foreign Application Priority Data**

Dec. 9, 2013 (CN) 2013 3 0625876

(51) **LOC (10) Cl.** **15-05**

(52) **U.S. Cl.**

USPC **D32/31**

(58) **Field of Classification Search**

USPC D32/22, 31-34

CPC A47L 19/02; A47L 19/06; A47L 15/362;

A47L 15/365; A47L 15/36; A47L 15/24;

A47L 15/28; A47L 15/34; A47L 7/06;

A47L 11/4044; A47L 9/325

See application file for complete search history.

(56) **References Cited**

U.S. PATENT DOCUMENTS

D418,266 S * 12/1999 Medema et al. D32/22

D545,011 S * 6/2007 Ågren et al. D32/22

D565,814 S * 4/2008 Ågren et al. D32/22

D565,816 S * 4/2008 Agren et al. D32/22

D574,563 S * 8/2008 Fjellman et al. D32/22

D582,111 S * 12/2008 Ågren et al. D32/22

D613,469 S * 4/2010 Agren D32/22

D677,844 S * 3/2013 Nicora et al. D32/22

D680,286 S * 4/2013 Gray et al. D32/22

D728,176 S * 4/2015 Yu et al. D32/22

* cited by examiner

Primary Examiner — Ruth McInroy

(74) *Attorney, Agent, or Firm* — John Yun

(57) **CLAIM**

The ornamental design for a stick vacuum chassis, as shown and described.

DESCRIPTION

FIG. 1 is a perspective view of a stick vacuum chassis showing my new design;

FIG. 2 is a rear perspective view of a stick vacuum chassis showing my new design;

FIG. 3 is a front view thereof

FIG. 4 is a rear view thereof;

FIG. 5 is a left side view thereof;

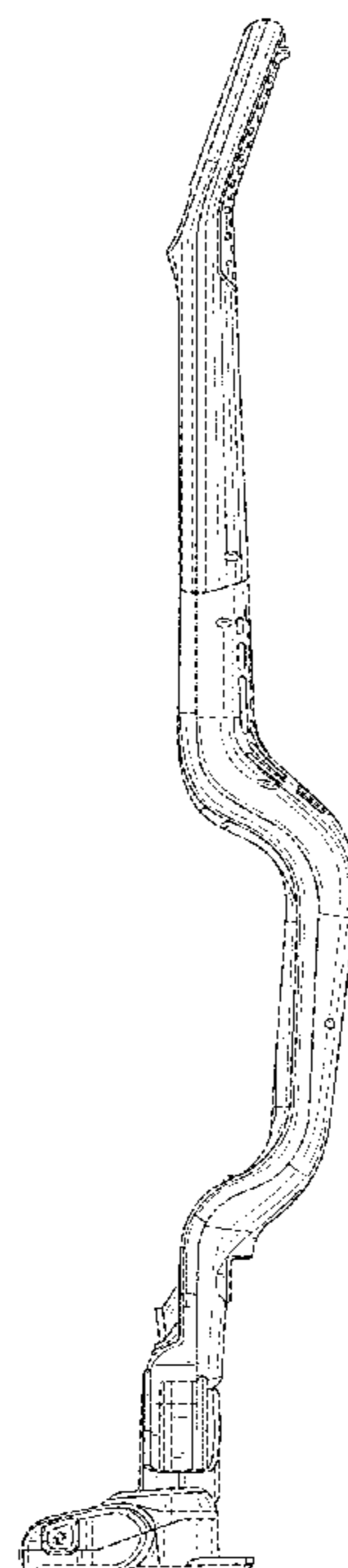
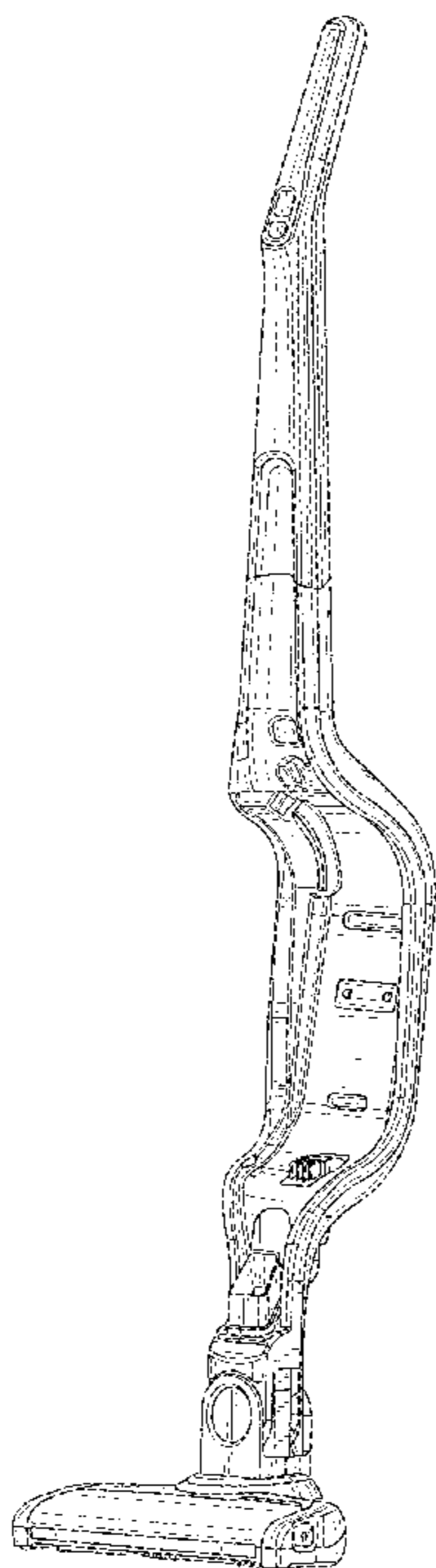
FIG. 6 is a right side view thereof;

FIG. 7 is a bottom plan thereof; and,

FIG. 8 is a top plan view thereof.

The details shown in broken lines form no part of the claimed design.

1 Claim, 8 Drawing Sheets



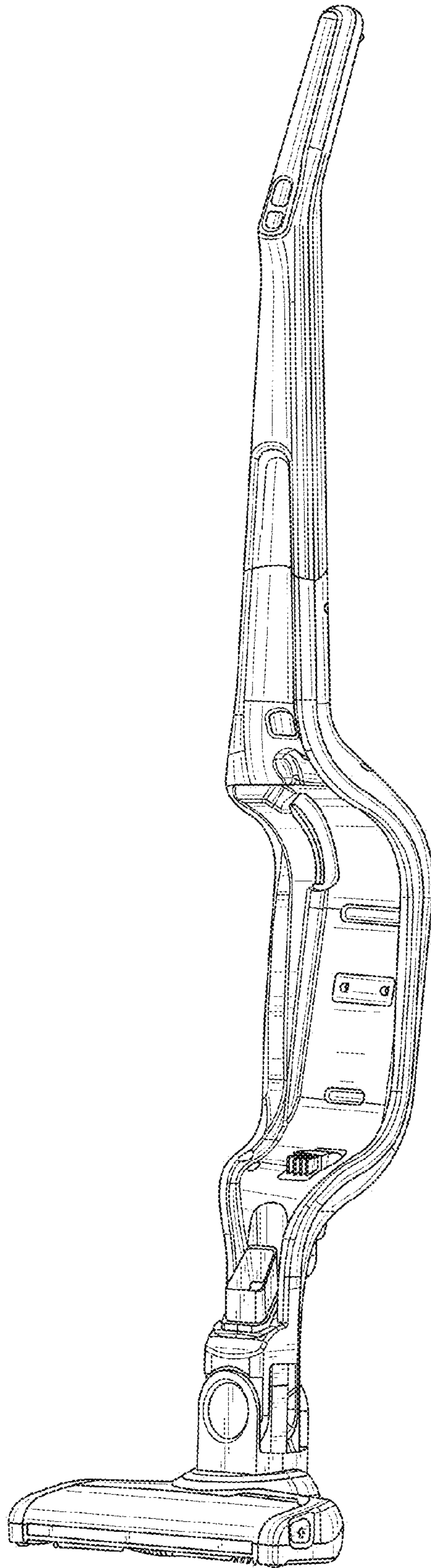


FIG. 1

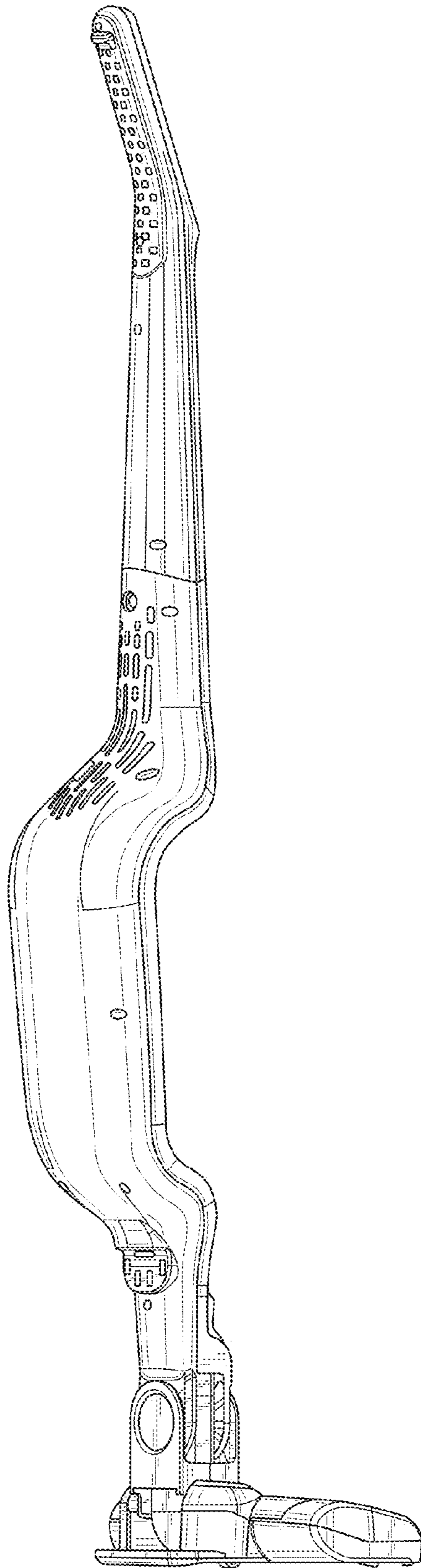


FIG. 2

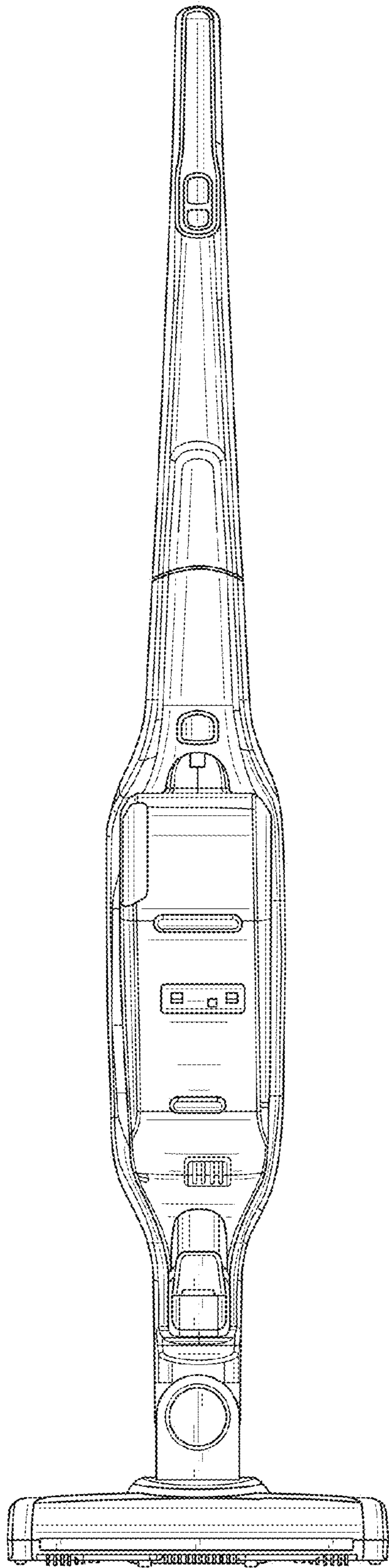


FIG. 3

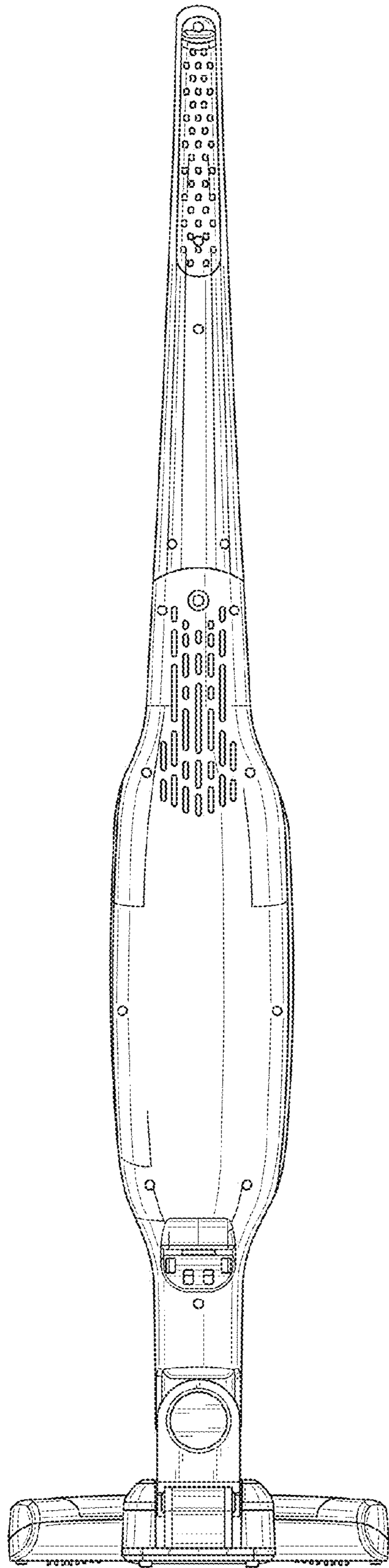


FIG. 4

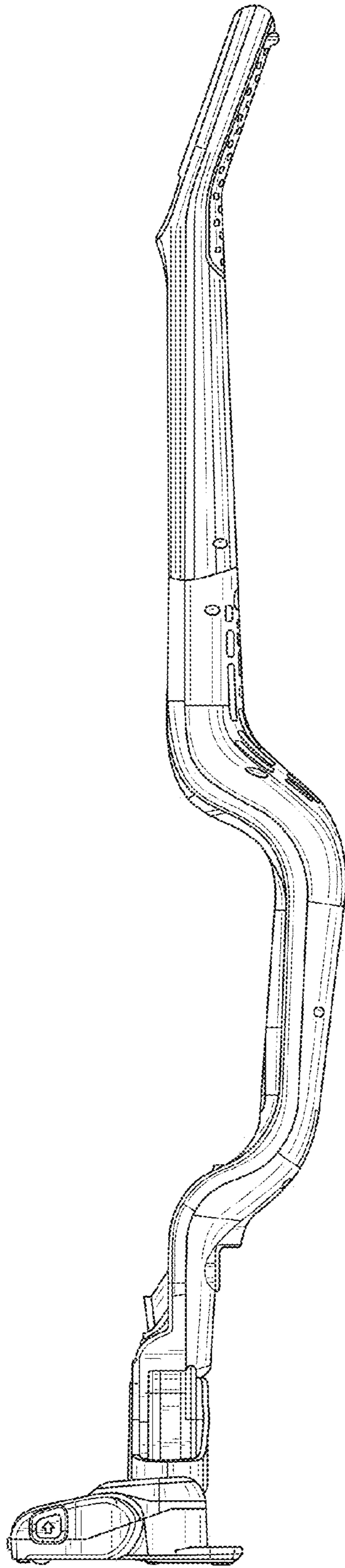


FIG. 5

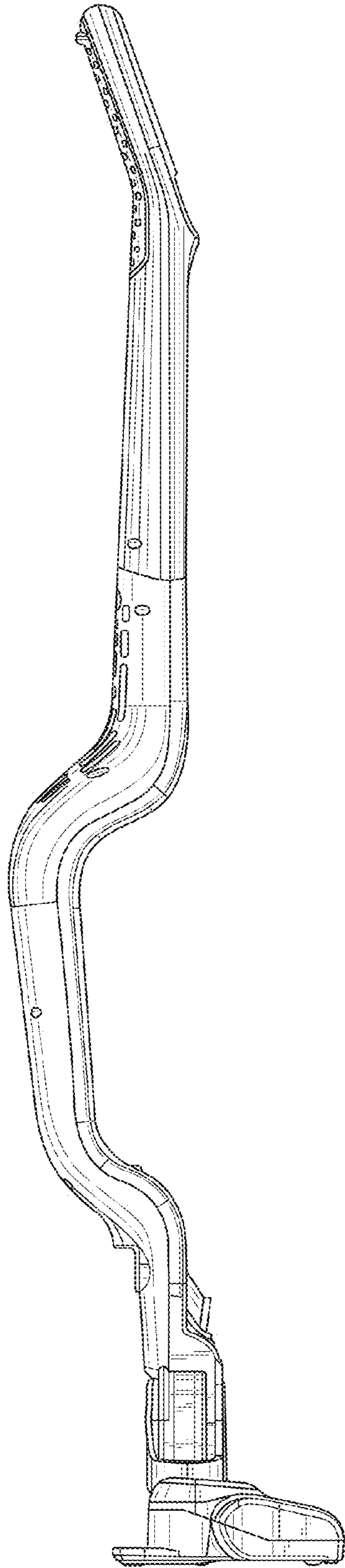


FIG. 6

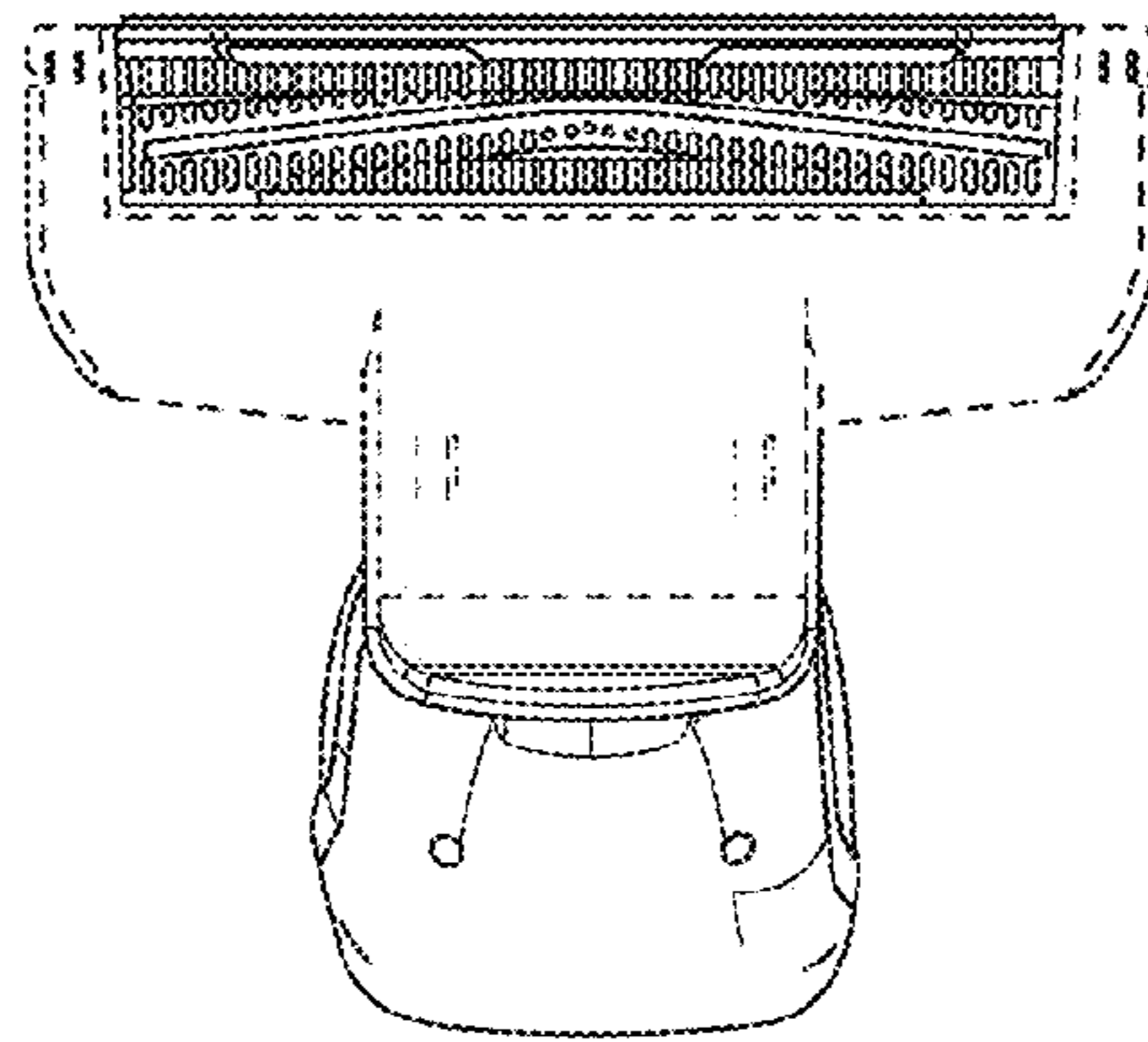


FIG. 7

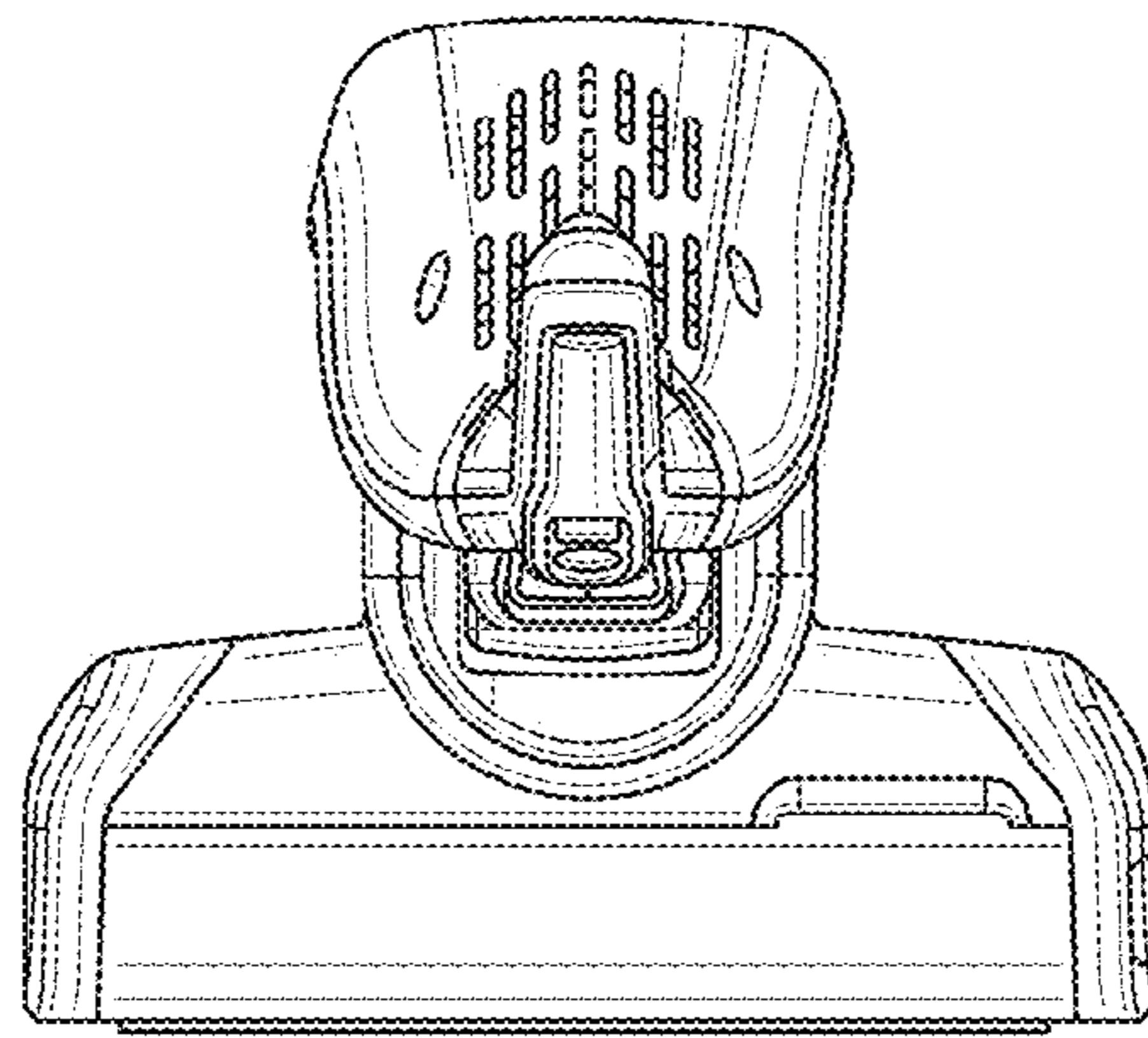


FIG. 8