



US00D767221S

(12) **United States Design Patent**
Ha et al.

(10) **Patent No.:** **US D767,221 S**
(45) **Date of Patent:** **** Sep. 20, 2016**

(54) **WASHING MACHINE**
(71) Applicant: **LG ELECTRONICS INC.**, Seoul (KR)
(72) Inventors: **Youngsoo Ha**, Seoul (KR); **Taewoo Yoo**, Seoul (KR); **Jonghee Han**, Seoul (KR); **Eunyoung Chee**, Seoul (KR); **Seungho Oh**, Seoul (KR); **Jeaseok Seong**, Seoul (KR)
(73) Assignee: **LG ELECTRONICS INC.**, Seoul (KR)

(**) Term: **15 Years**

(21) Appl. No.: **29/537,712**

(22) Filed: **Aug. 28, 2015**

(30) **Foreign Application Priority Data**

Mar. 4, 2015 (KR) 30-2015-0011083

(51) **LOC (10) Cl.** **15-05**

(52) **U.S. Cl.**
USPC **D32/25**

(58) **Field of Classification Search**
USPC D32/1-6, 8, 10, 25, 28; 312/228, 228.1, 312/236, 294, 326; 68/3 R, 5 R, 235 R, 196, 68/212; 34/108, 130-132, 595-597; 8/137
CPC D06F 39/022; D06F 39/028; D06F 39/14; D06F 33/02; D06F 58/00; D06F 58/02; D66F 37/28
See application file for complete search history.

(56) **References Cited**

U.S. PATENT DOCUMENTS

- D557,467 S * 12/2007 Kwon D32/6
- 8,322,171 B2 * 12/2012 Sung D06F 39/14 68/196
- D683,505 S * 5/2013 Chung D32/29.1
- D694,967 S * 12/2013 Jeon D32/6
- D698,508 S * 1/2014 Cho D32/25
- D703,891 S * 4/2014 Chung D32/25

- 8,826,701 B2 * 9/2014 Hong D06F 33/02 68/140
- D731,132 S * 6/2015 Ha D32/28
- D732,777 S * 6/2015 Ha D32/28
- 9,051,679 B2 * 6/2015 Kwon D06F 37/262
- D756,578 S * 5/2016 Chung D32/25
- D759,909 S * 6/2016 Kim D32/6
- 2004/0244435 A1 * 12/2004 Kim D06F 39/14 68/12.26
- 2010/0205826 A1 * 8/2010 Ashrafzadeh D06F 58/04 34/499
- 2011/0146102 A1 * 6/2011 Bellineto D06F 58/28 34/549
- 2014/0123514 A1 * 5/2014 Ashrafzadeh D06F 39/003 34/443
- 2015/0322611 A1 * 11/2015 Ashrafzadeh D06F 39/003 8/137
- 2016/0160432 A1 * 6/2016 Ashrafzadeh D06F 58/04 8/137

* cited by examiner

Primary Examiner — Rosemary K Tarcza
Assistant Examiner — Yolanda Robinson
(74) *Attorney, Agent, or Firm* — Ked & Associates LLP

(57) **CLAIM**
We claim the ornamental design for a washing machine, as shown and described.

DESCRIPTION

FIG. 1 is a perspective view of a washing machine showing our new design with its detergent dispenser opened by rotating forward;
FIG. 2 is a front elevation view thereof;
FIG. 3 is a rear elevation view thereof;
FIG. 4 is a left-side elevation view thereof;
FIG. 5 is a right-side elevation view thereof;
FIG. 6 is a top plan view thereof;
FIG. 7 is a bottom plan view thereof;
FIG. 8 is a perspective view thereof with its detergent dispenser closed by rotating backward;
FIG. 9 is a front elevation view thereof;
FIG. 10 is a left-side elevation view thereof; and,
FIG. 11 is a top plan view thereof. The broken lines in the drawing figures are included for the purpose of illustrating environment and form no part of the claimed design.

1 Claim, 10 Drawing Sheets

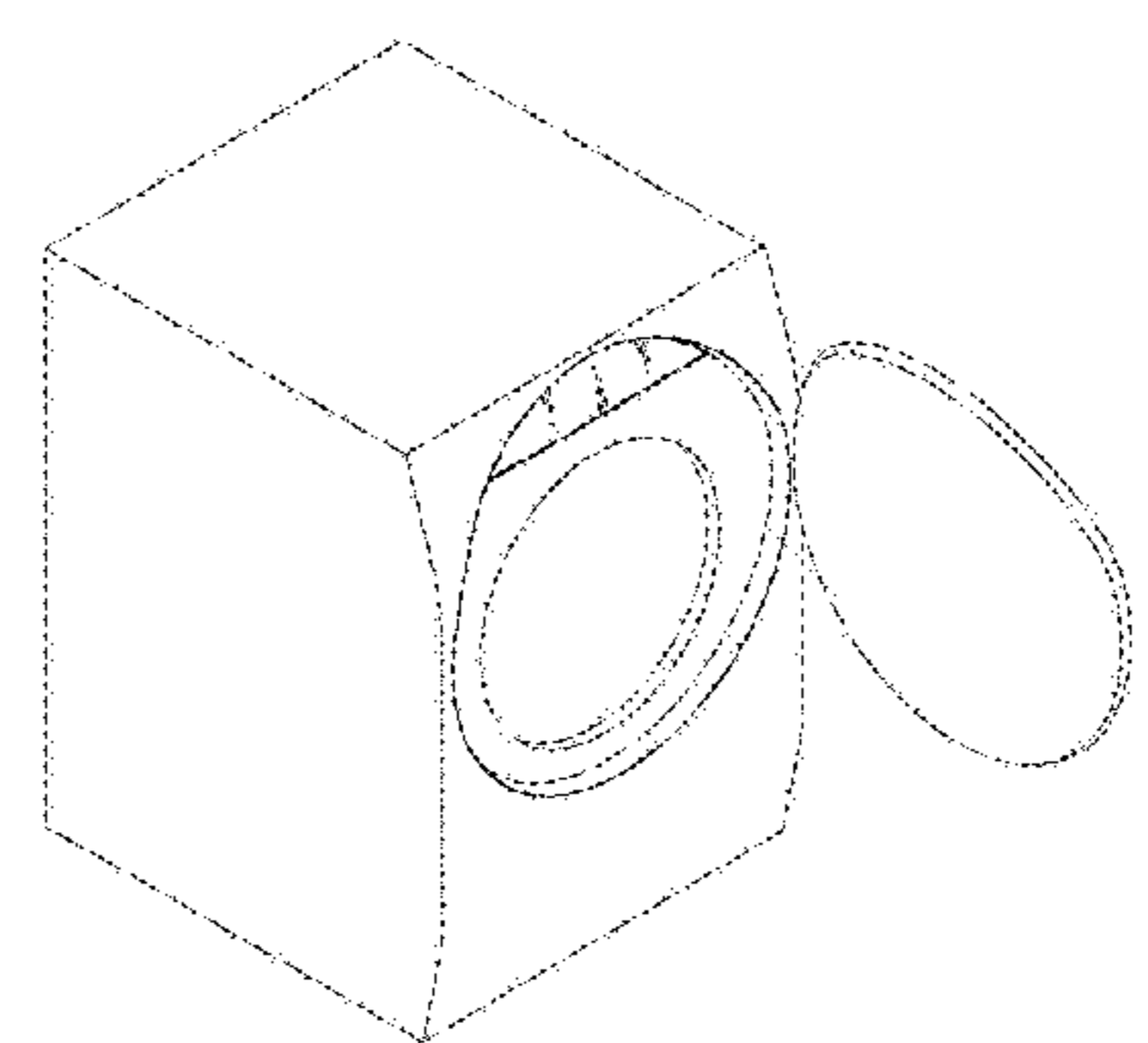
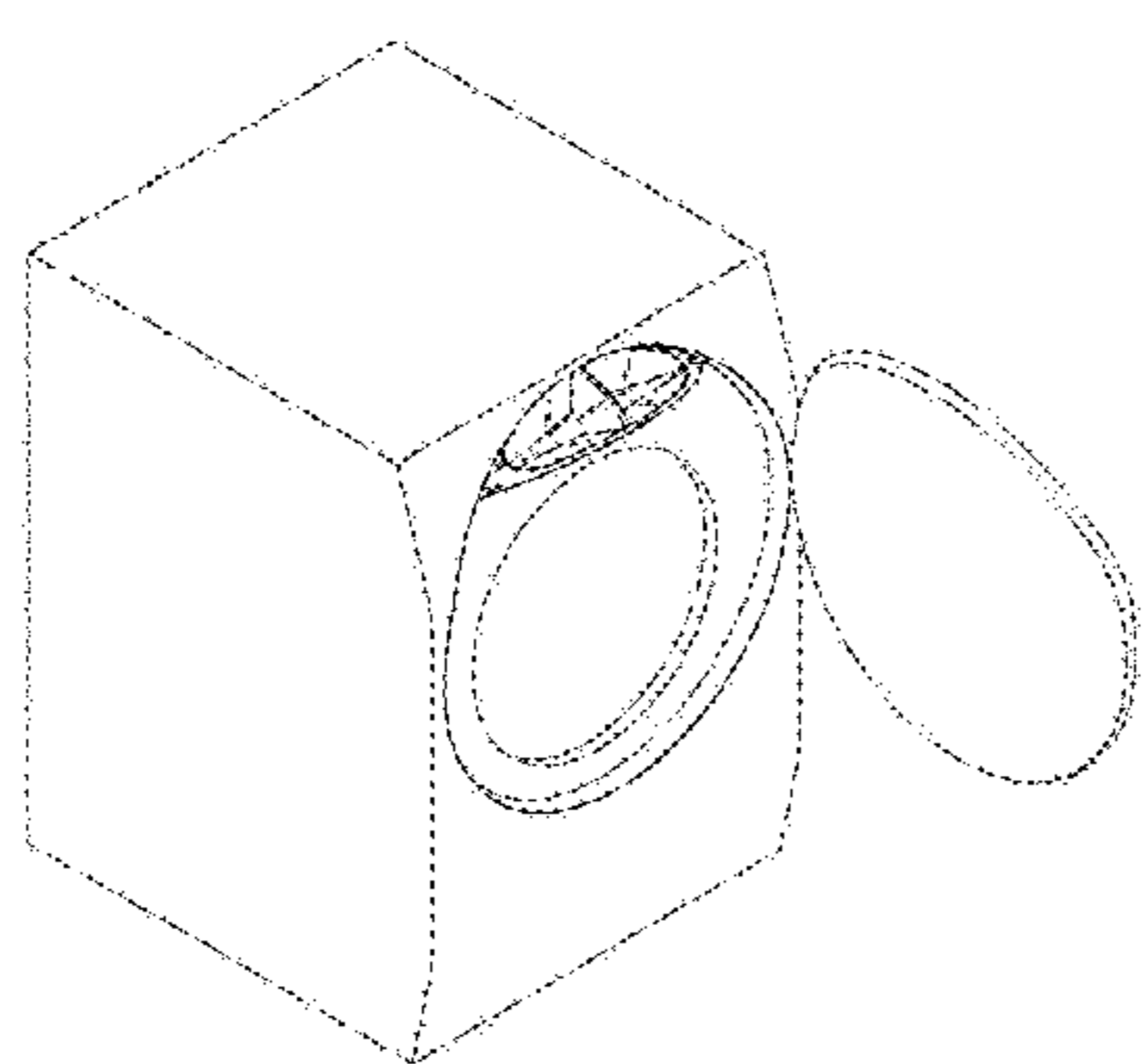


FIG. 1

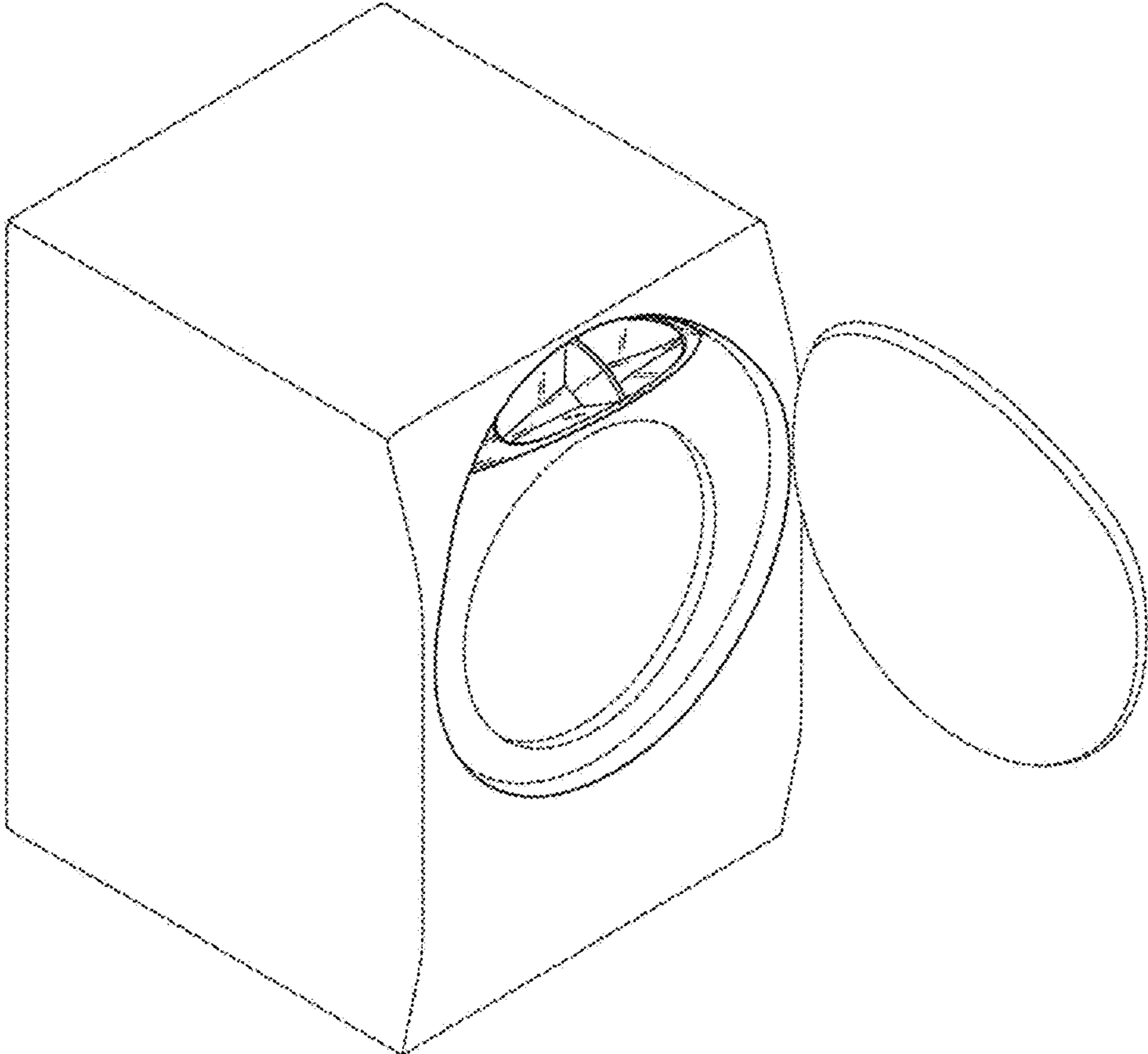


FIG. 2

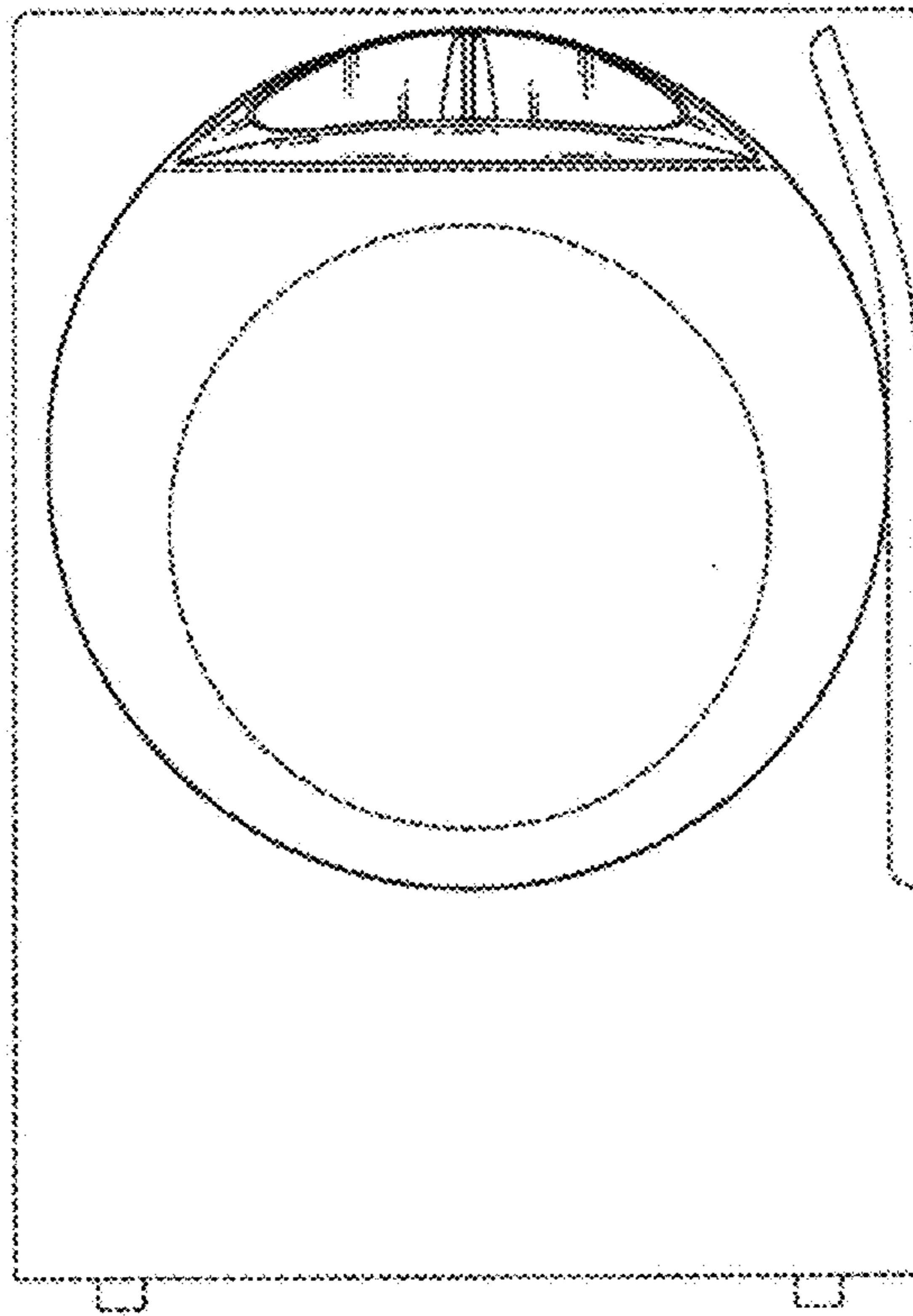


FIG. 3

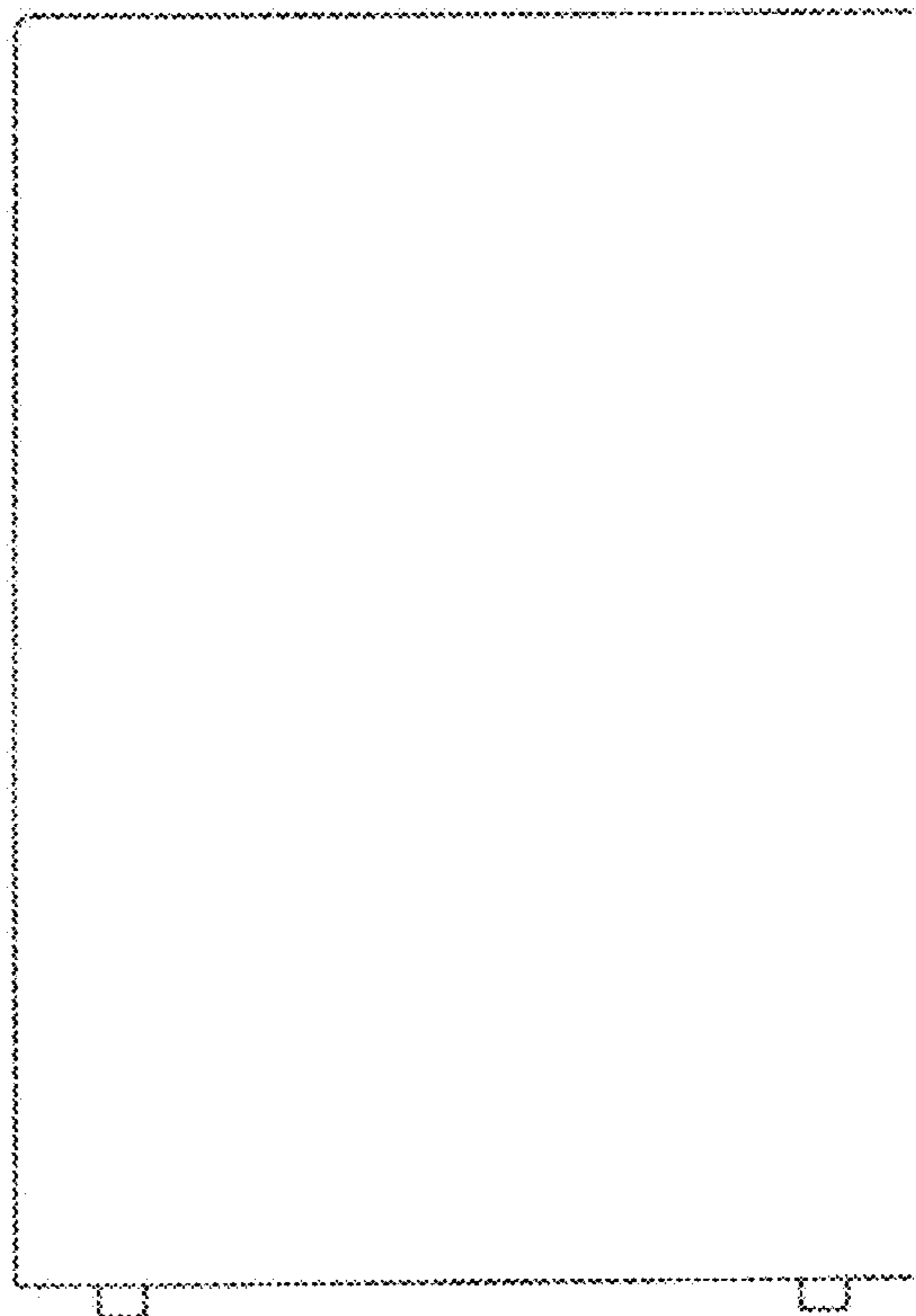


FIG. 4

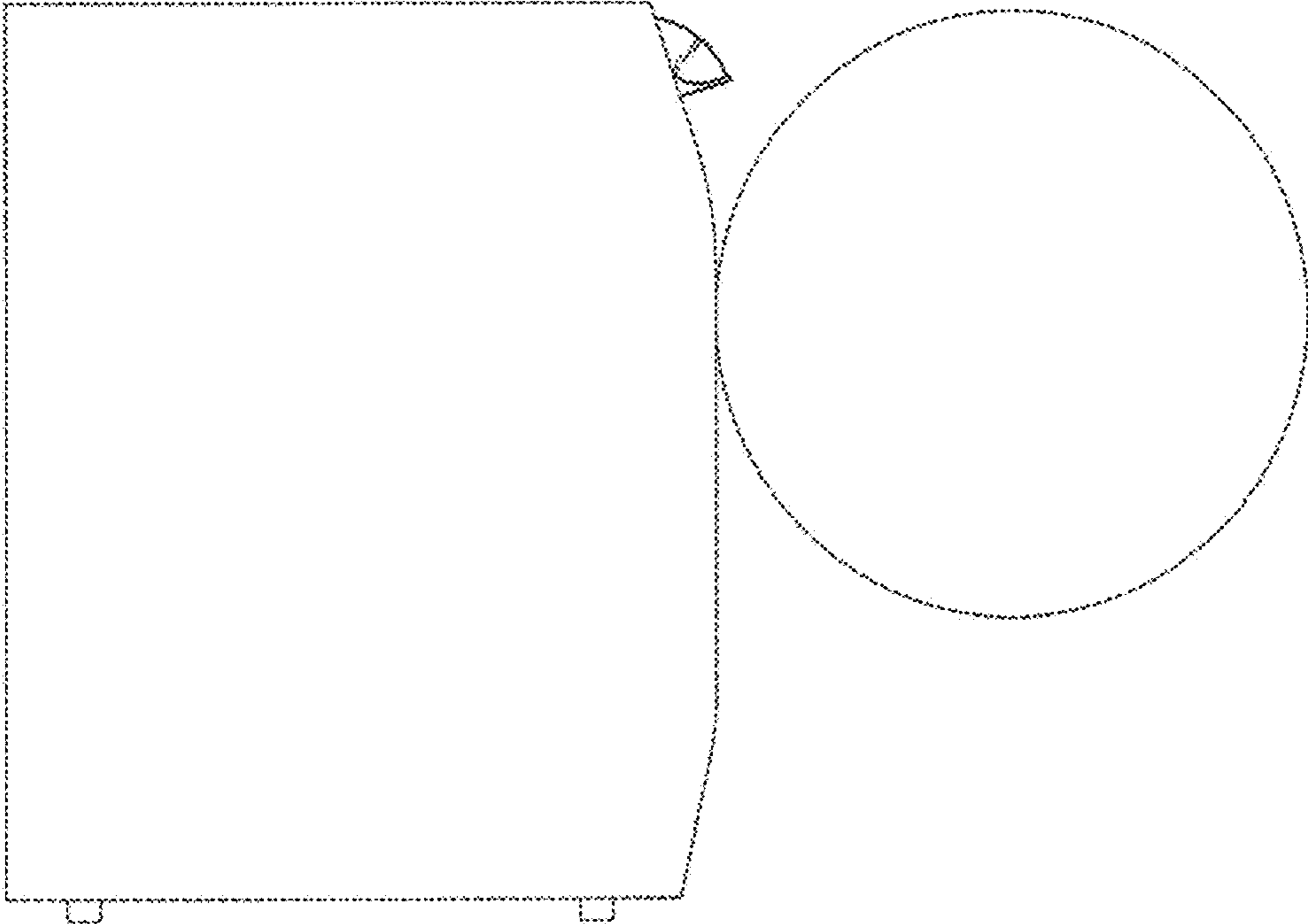


FIG. 5

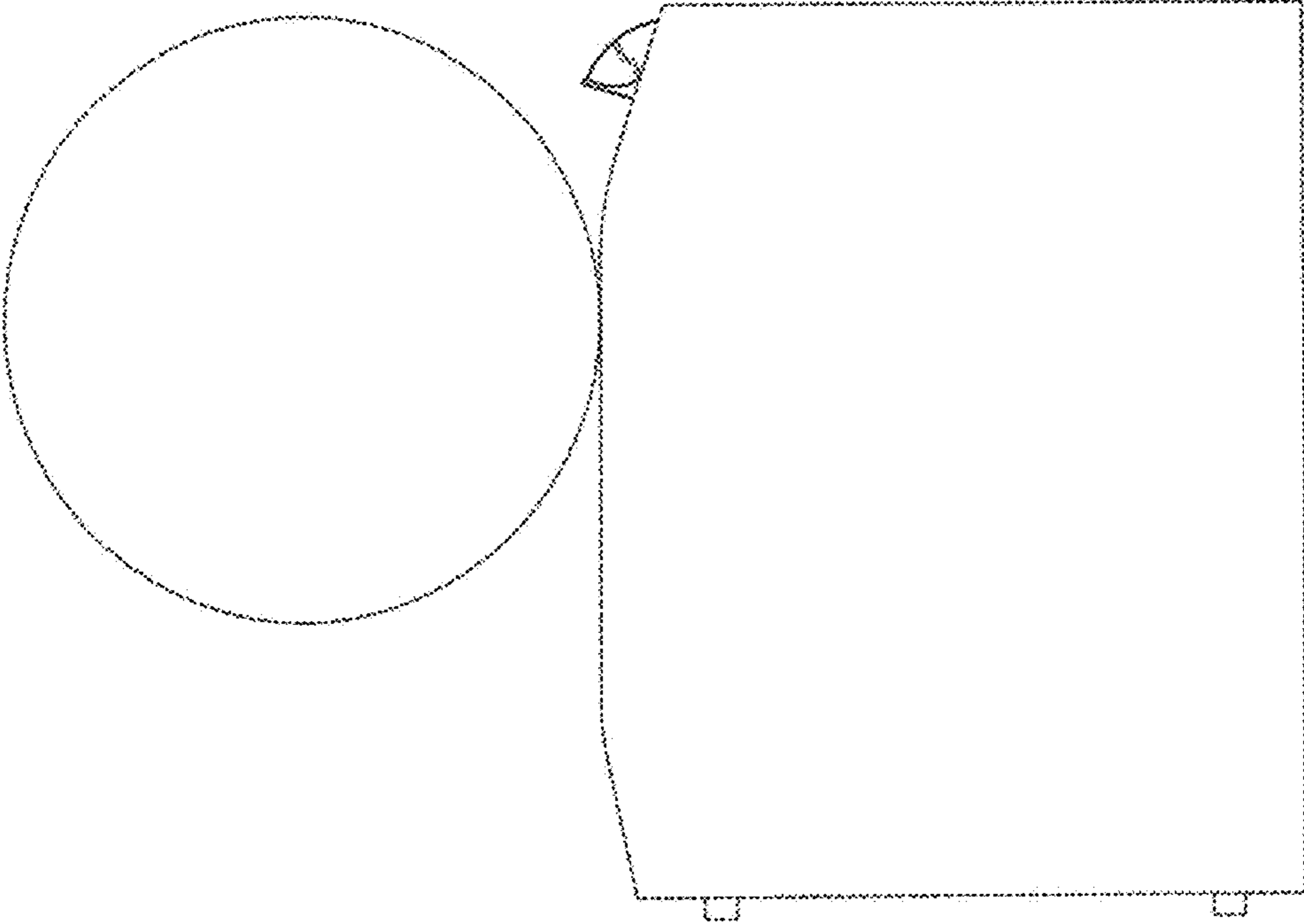


FIG. 6

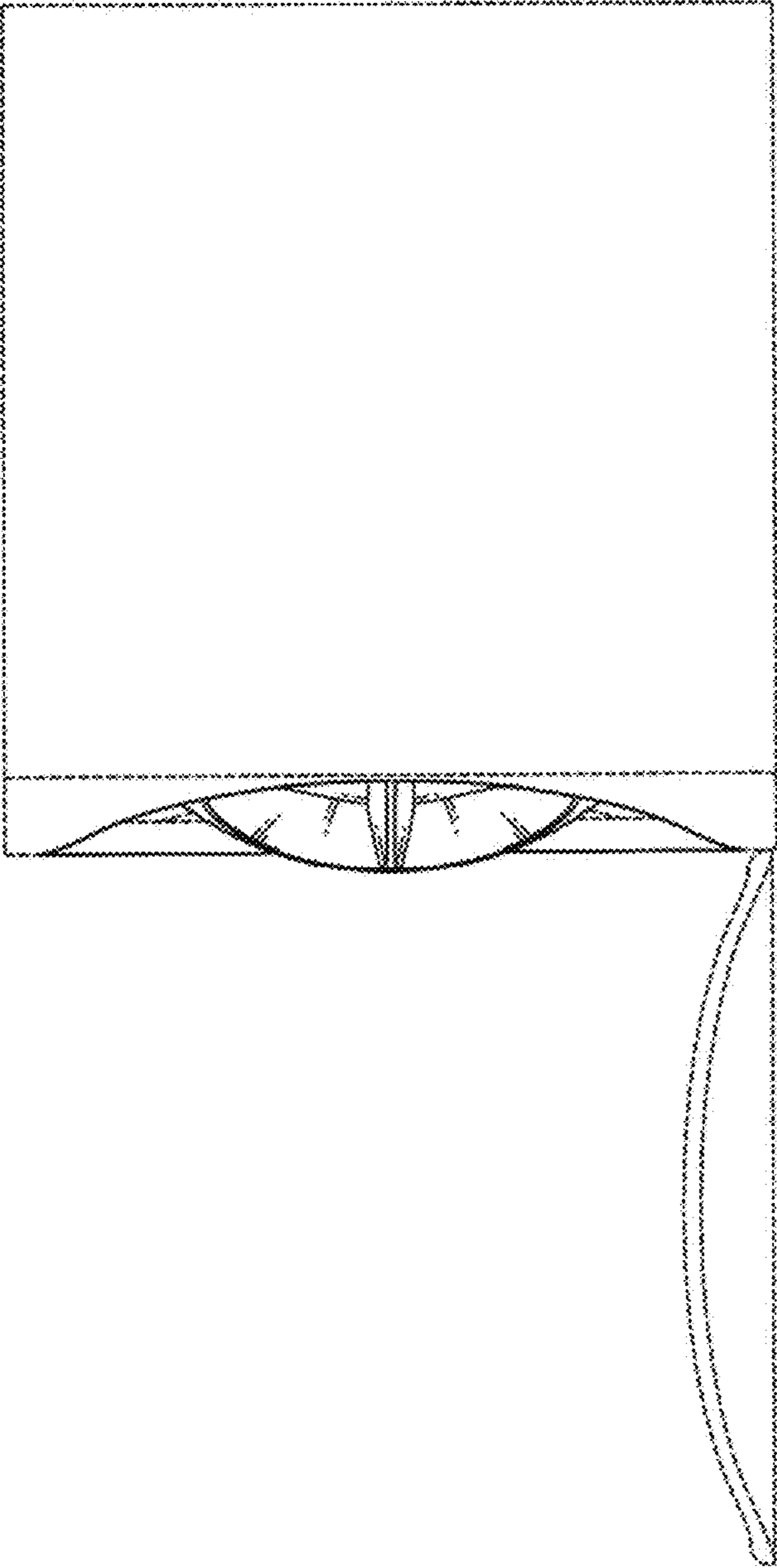


FIG. 7

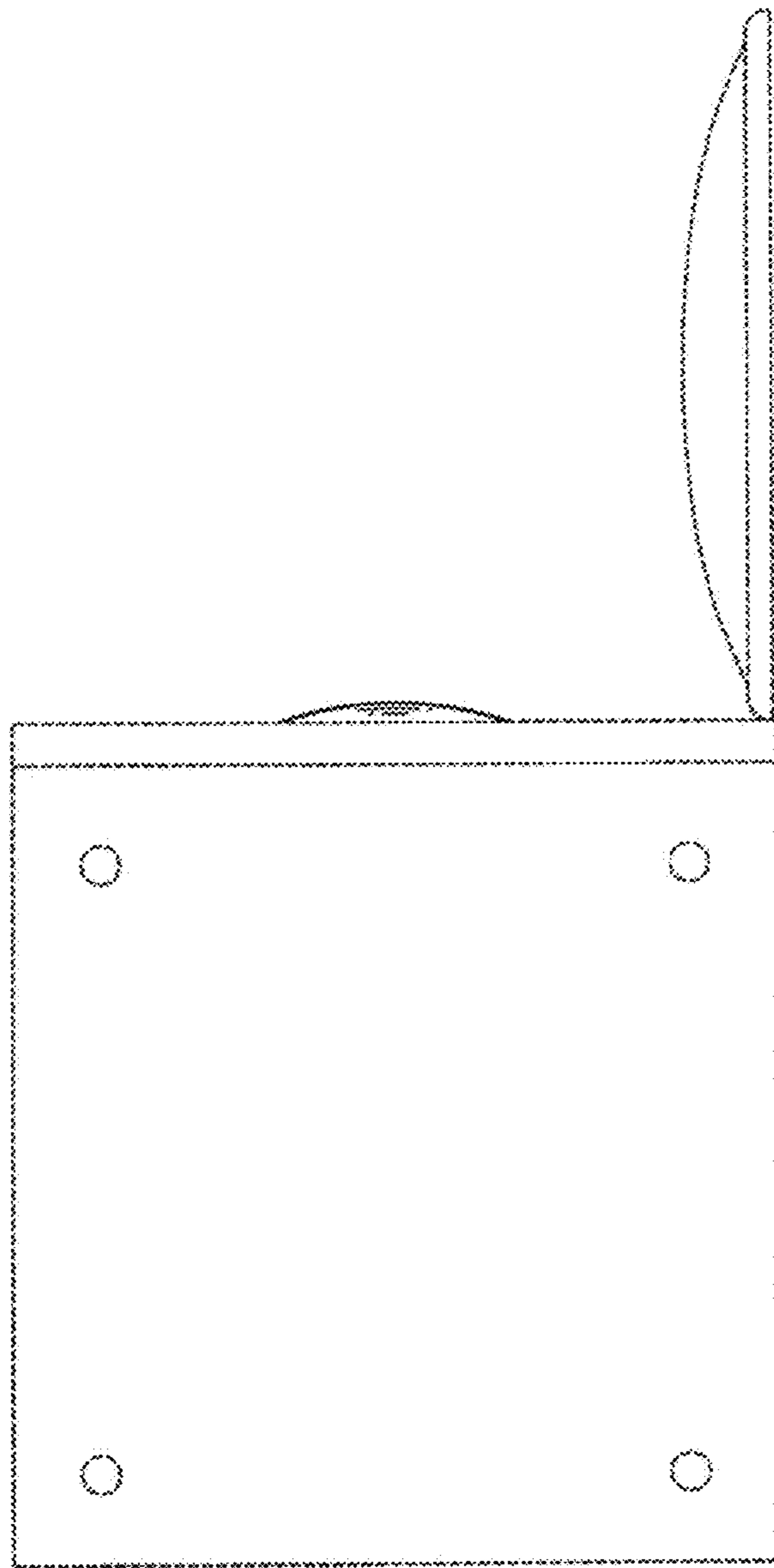


FIG. 8

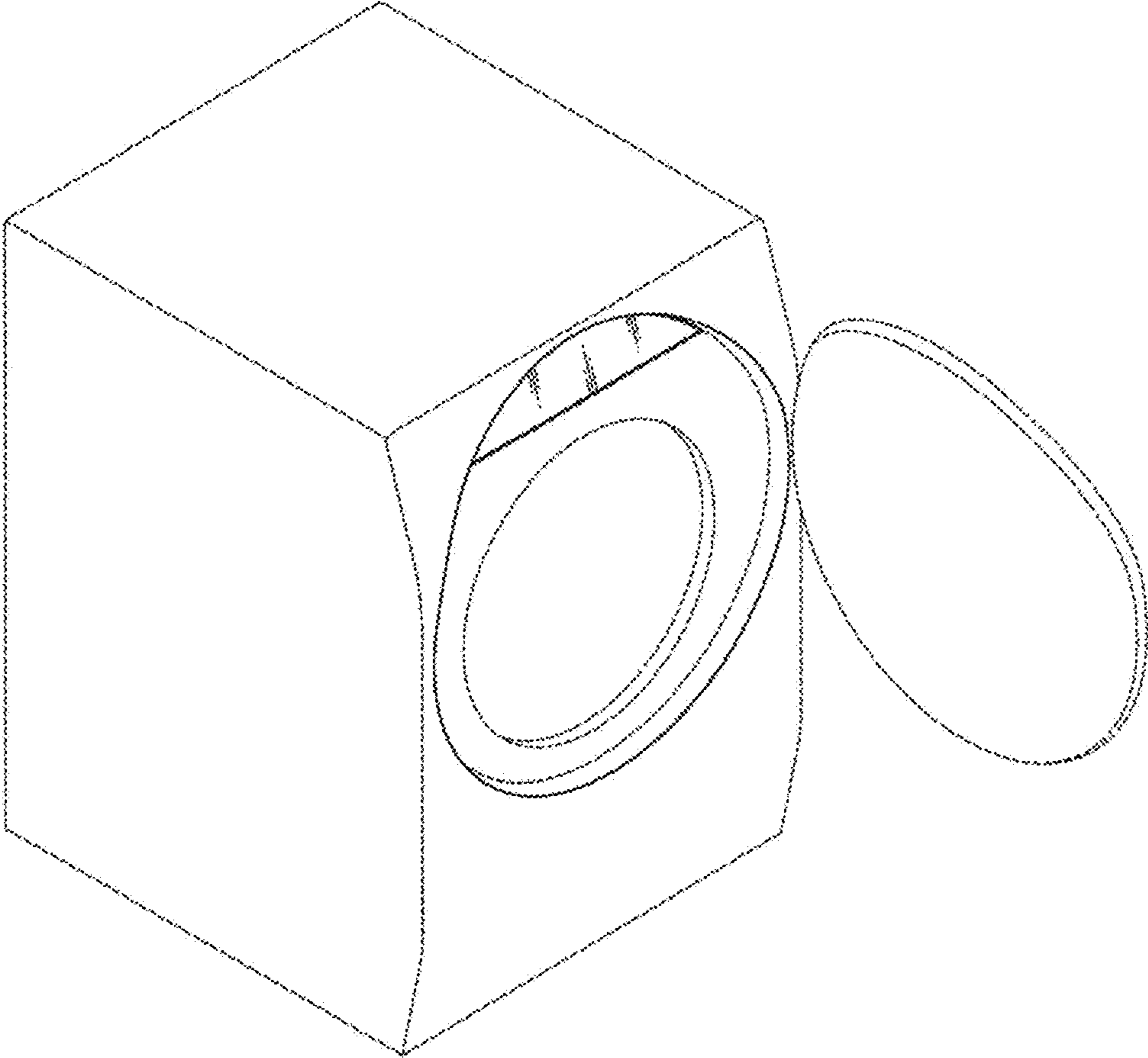


FIG. 9

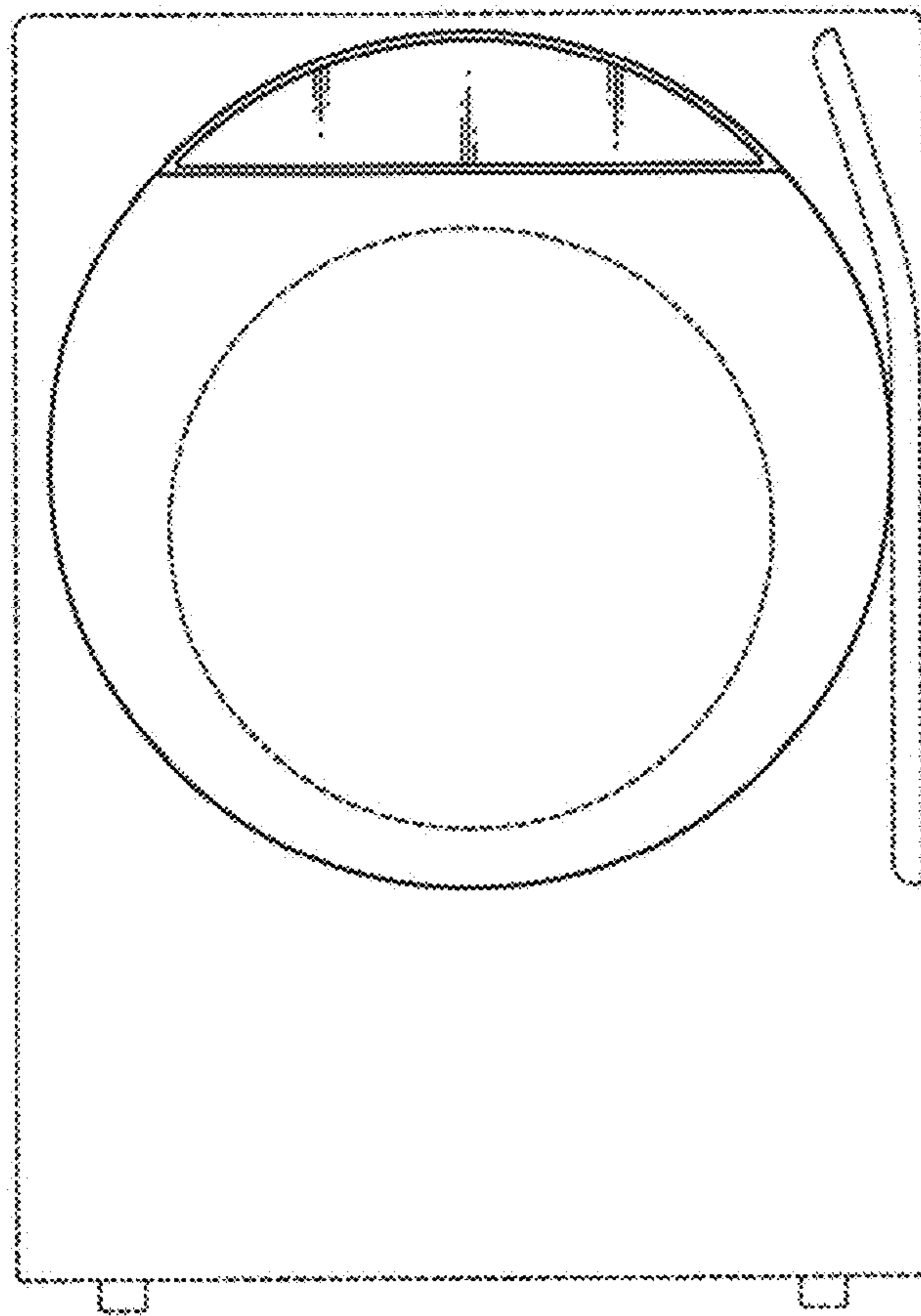


FIG. 10

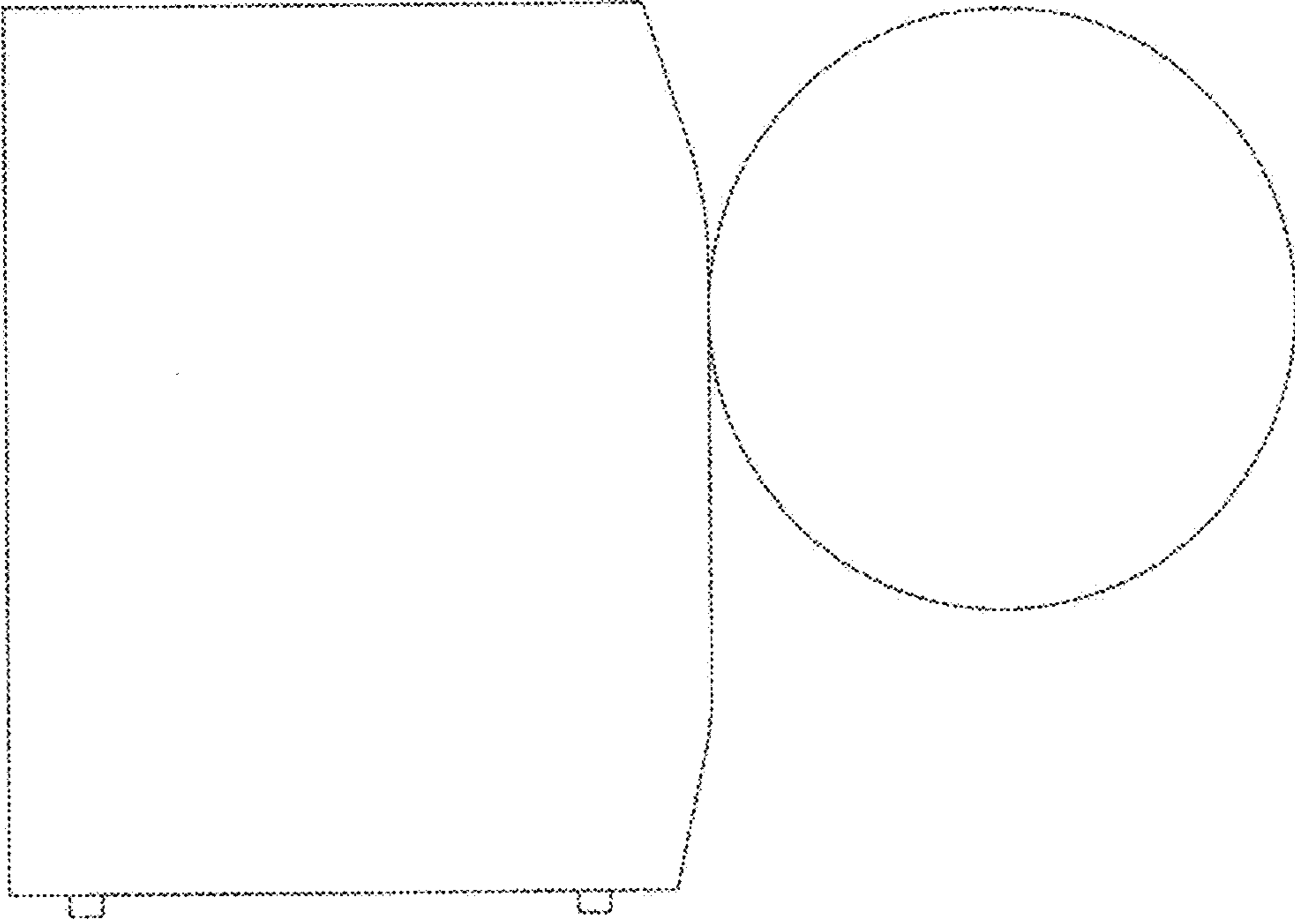


FIG. 11

