



US00D767220S

(12) **United States Design Patent** (10) **Patent No.:** **US D767,220 S**  
**Dimbylow et al.** (45) **Date of Patent:** **\*\* Sep. 20, 2016**

(54) **PART OF A VACUUM CLEANER**  
(71) Applicant: **Dyson Technology Limited**, Wiltshire (GB)  
(72) Inventors: **Stephen Robert Dimbylow**, Swindon (GB); **Matthew John Dobson**, Gloucester (GB); **David Christopher James Newton**, Bristol (GB); **Andrew James Wills**, Gloucester (GB); **Adam James Bates**, Oxford (GB); **Rob Edward Marsden**, Bristol (GB); **James Dyson**, Bristol (GB)

4,094,295 A 6/1978 Boswell et al.  
5,473,979 A 12/1995 Ruben  
D374,371 S 10/1996 Hall McDonald  
D445,226 S 7/2001 Jupp  
D463,948 S 10/2002 Innes  
D471,683 S 3/2003 Dyson et al.  
D481,903 S 11/2003 Hester  
D484,286 S 12/2003 Dyson et al.  
D486,348 S 2/2004 Zhu  
D505,761 S 5/2005 Gammack et al.  
D518,611 S 4/2006 Hare  
D524,091 S 7/2006 Lai  
D550,022 S 9/2007 Amajuwon et al.  
D555,849 S 11/2007 Choi et al.  
D556,962 S 12/2007 Choi et al.

(73) Assignee: **Dyson Technology Limited**, Malmesbury, Wiltshire (GB)

(\*\*) Term: **14 Years**

(21) Appl. No.: **29/494,517**

(22) Filed: **Jun. 20, 2014**

(30) **Foreign Application Priority Data**

Dec. 20, 2013 (EM) ..... 002375709-0004

(51) **LOC (10) Cl.** ..... **15-05**

(52) **U.S. Cl.**  
USPC ..... **D32/21**

(58) **Field of Classification Search**  
USPC ..... D32/18, 21-24, 31  
CPC . B01D 50/002; A47L 9/1625; A47L 9/1683;  
A47L 9/1666; A47L 9/1641; A47L 5/28;  
A47L 5/24; A47L 5/362; A47L 5/365;  
A47L 5/36; A47L 7/06  
See application file for complete search history.

(56) **References Cited**

**U.S. PATENT DOCUMENTS**

3,776,127 A 12/1973 Muse  
D244,249 S 5/1977 Boswell et al.

(Continued)

**OTHER PUBLICATIONS**

Dyson et al., U.S. Office Action mailed Nov. 21, 2011, directed to U.S. Appl. No. 29/388,228; 6 pages.

(Continued)

*Primary Examiner* — Ruth McInroy

(74) *Attorney, Agent, or Firm* — Morrison & Foerster LLP

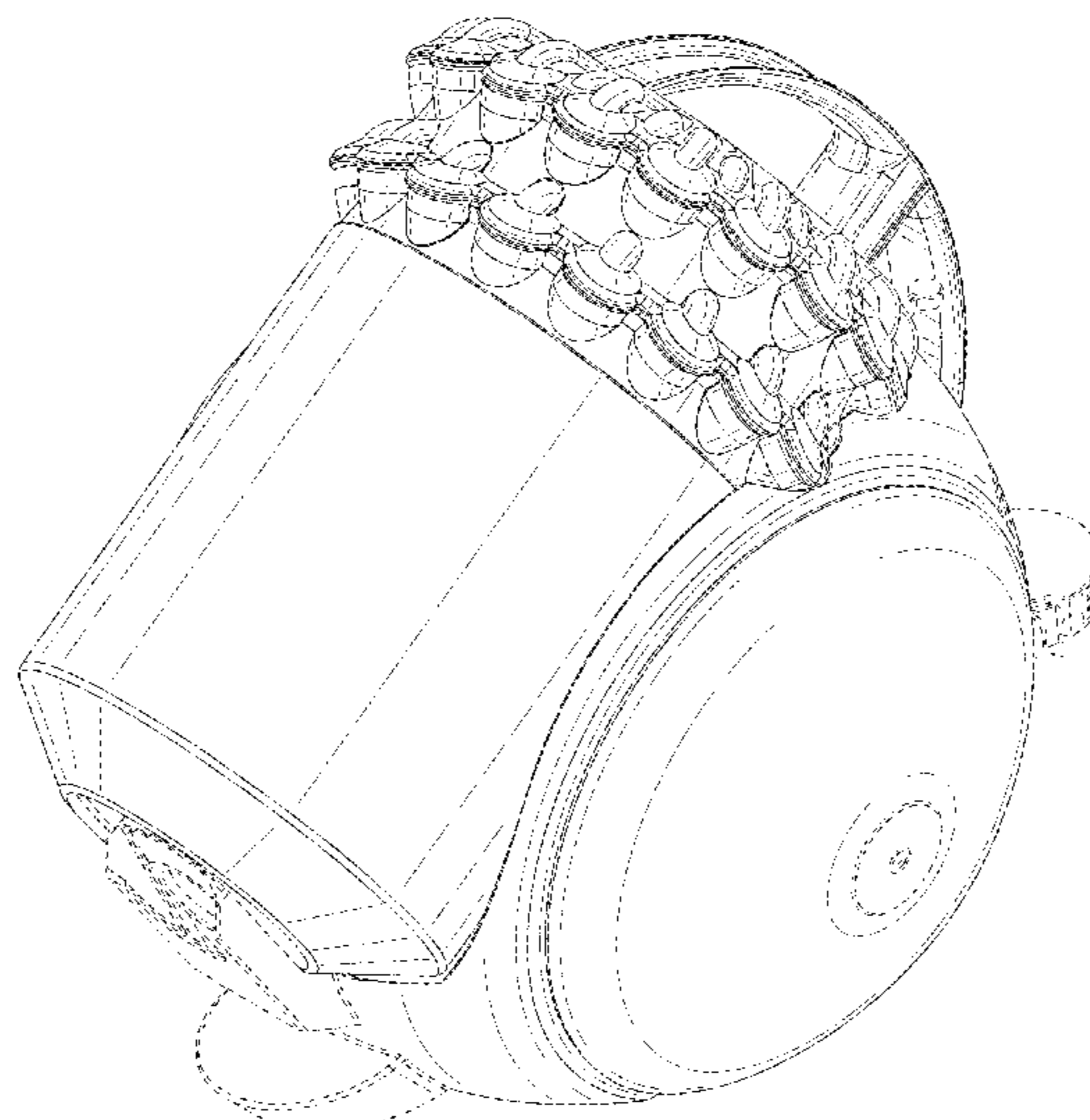
(57) **CLAIM**

We claim the ornamental design for a part of a vacuum cleaner, as shown and described.

**DESCRIPTION**

FIG. 1 is a perspective view of a part of a vacuum cleaner showing our new design;  
FIG. 2 is a side view thereof;  
FIG. 3 is a side view of the opposite side of FIG. 2;  
FIG. 4 is a front view thereof;  
FIG. 5 is a rear view thereof;  
FIG. 6 is a top view thereof; and,  
FIG. 7 is a bottom view thereof.  
The details shown in broken lines form no part of the claimed design.

**1 Claim, 7 Drawing Sheets**



(56)

References Cited

U.S. PATENT DOCUMENTS

D557,469 S 12/2007 Choi et al.  
 D557,470 S 12/2007 Choi et al.  
 D563,066 S 2/2008 Shevlin  
 D566,914 S \* 4/2008 Dyson ..... D32/31  
 D574,177 S 8/2008 Hulsey  
 7,425,225 B2 9/2008 Genn et al.  
 D583,117 S 12/2008 Peace et al.  
 D587,415 S 2/2009 Dyson et al.  
 D588,762 S 3/2009 Dyson et al.  
 D594,162 S 6/2009 Knox et al.  
 D594,608 S \* 6/2009 Dyson ..... D32/21  
 D594,609 S 6/2009 Dyson et al.  
 D609,416 S 2/2010 Hill et al.  
 7,721,385 B2 5/2010 Genn et al.  
 7,861,705 B2 1/2011 Hulsey  
 7,867,307 B2 1/2011 Bates et al.  
 7,874,040 B2 1/2011 Follows et al.  
 D632,037 S 2/2011 Carr et al.  
 7,930,799 B2 4/2011 Sutton et al.  
 D642,416 S 8/2011 Scott et al.  
 D657,508 S \* 4/2012 Dyson ..... D32/21  
 D657,511 S \* 4/2012 Dyson ..... D32/31  
 D670,052 S 10/2012 Dos Reis  
 D670,053 S \* 10/2012 Dyson ..... D32/31  
 D670,054 S \* 10/2012 Dyson ..... D32/31  
 D673,743 S 1/2013 Dyson et al.  
 D676,206 S \* 2/2013 Dyson ..... D32/31  
 D677,027 S 2/2013 Dyson et al.  
 D677,028 S 2/2013 Dyson et al.  
 D677,442 S 3/2013 Dyson et al.  
 D677,845 S 3/2013 Dyson et al.  
 D677,846 S 3/2013 Dyson et al.  
 8,429,791 B2 4/2013 White  
 8,474,091 B2 7/2013 Dyson et al.  
 D705,504 S \* 5/2014 Dimbylow ..... D32/21  
 D709,256 S \* 7/2014 Dyson ..... D32/31  
 D714,503 S \* 9/2014 Dyson ..... D32/31  
 D718,912 S \* 12/2014 Ashbee ..... D32/21  
 D731,134 S \* 6/2015 Dyson ..... D32/31  
 D739,102 S \* 9/2015 Dyson ..... D32/21  
 D741,558 S \* 10/2015 Kerr ..... D32/21  
 2005/0121018 A1 6/2005 Rosen  
 2006/0213023 A1 9/2006 Hare et al.  
 2007/0294856 A1 12/2007 Park  
 2009/0113663 A1 \* 5/2009 Follows ..... A47L 9/1616  
 15/347  
 2009/0308373 A1 12/2009 Scott et al.  
 2010/0218338 A1 9/2010 McLeod

2010/0242208 A1 9/2010 Gammack et al.  
 2010/0242219 A1 9/2010 Dyson et al.  
 2010/0242220 A1 9/2010 Dyson et al.  
 2010/0242221 A1 9/2010 Horne et al.  
 2012/0272474 A1 11/2012 Follows et al.  
 2012/0284952 A1 11/2012 Horne  
 2012/0284954 A1 11/2012 Horne  
 2012/0284960 A1 11/2012 Sutton et al.  
 2013/0160233 A1 6/2013 Peace et al.  
 2014/0053365 A1 \* 2/2014 Gammack ..... A47L 9/1625  
 15/327.1  
 2014/0137364 A1 \* 5/2014 Stickney ..... A47L 5/24  
 15/347  
 2015/0113762 A1 \* 4/2015 Robertson ..... A47L 9/1616  
 15/353  
 2015/0182086 A1 \* 7/2015 Dimbylow ..... A47L 5/362  
 15/353

OTHER PUBLICATIONS

Dyson et al., U.S. Office Action mailed May 3, 2012, directed to U.S. Appl. No. 29/388,228; 5 pages.  
 Dyson et al., U.S. Office Action mailed Nov. 22, 2011, directed to U.S. Appl. No. 29/388,247; 6 pages.  
 Dyson et al., U.S. Office Action mailed May 2, 2012, directed to U.S. Appl. No. 29/388,247; 5 pages.  
 Dyson et al., U.S. Office Action mailed Nov. 21, 2011, directed to U.S. Appl. No. 29/388,229; 6 pages.  
 Dyson et al., U.S. Office Action mailed May 2, 2012, directed to U.S. Appl. No. 29/388,229; 5 pages.  
 Dyson et al., U.S. Office Action mailed Nov. 23, 2011, directed to U.S. Appl. No. 29/388,341; 6 pages.  
 Dyson et al., U.S. Office Action mailed May 2, 2012, directed to U.S. Appl. No. 29/388,341; 6 pages.  
 Dyson et al., U.S. Office Action mailed Nov. 23, 2011, directed to U.S. Appl. No. 29/388,226; 6 pages.  
 Dyson et al., U.S. Office Action mailed May 1, 2012, directed to U.S. Appl. No. 29/388,226; 6 pages.  
 Dyson et al., U.S. Office Action mailed Nov. 23, 2011, directed to U.S. Appl. No. 29/388,242; 8 pages.  
 Dyson et al., U.S. Office Action mailed May 2, 2012, directed to U.S. Appl. No. 29/388,242; 6 pages.  
 Dimbylow et al., U.S. Office Action mailed Nov. 20, 2013, directed to U.S. Appl. No. 29/464,524; 9 pages.  
 Dimbylow et al., U.S. Office Action mailed Dec. 5, 2013, directed to U.S. Appl. No. 29/464,487; 9 pages.  
 Ashbee et al., U.S. Office Action mailed Nov. 19, 2013, directed to U.S. Appl. No. 29/464,488; 9 pages.

\* cited by examiner



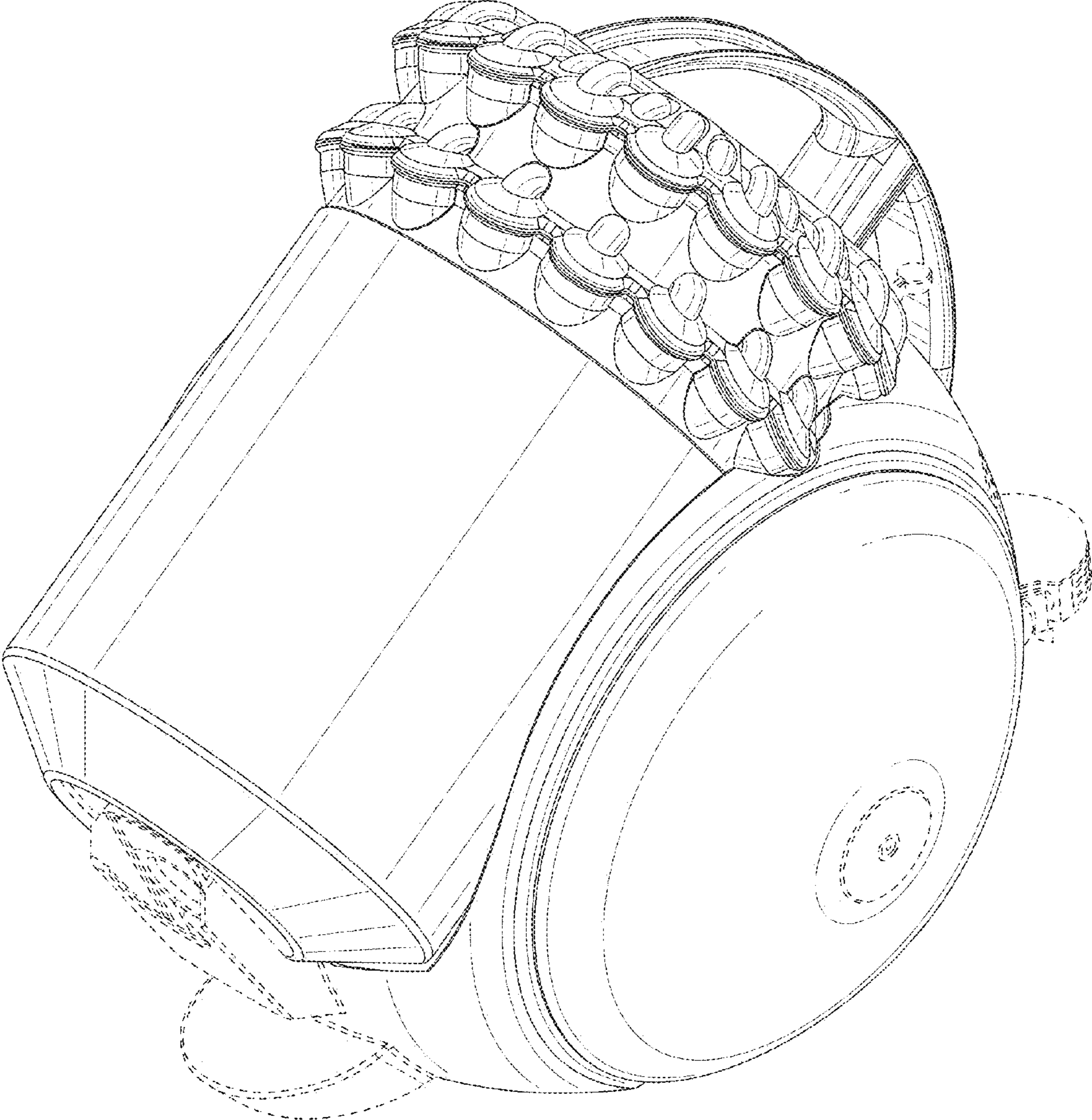


FIG. 1

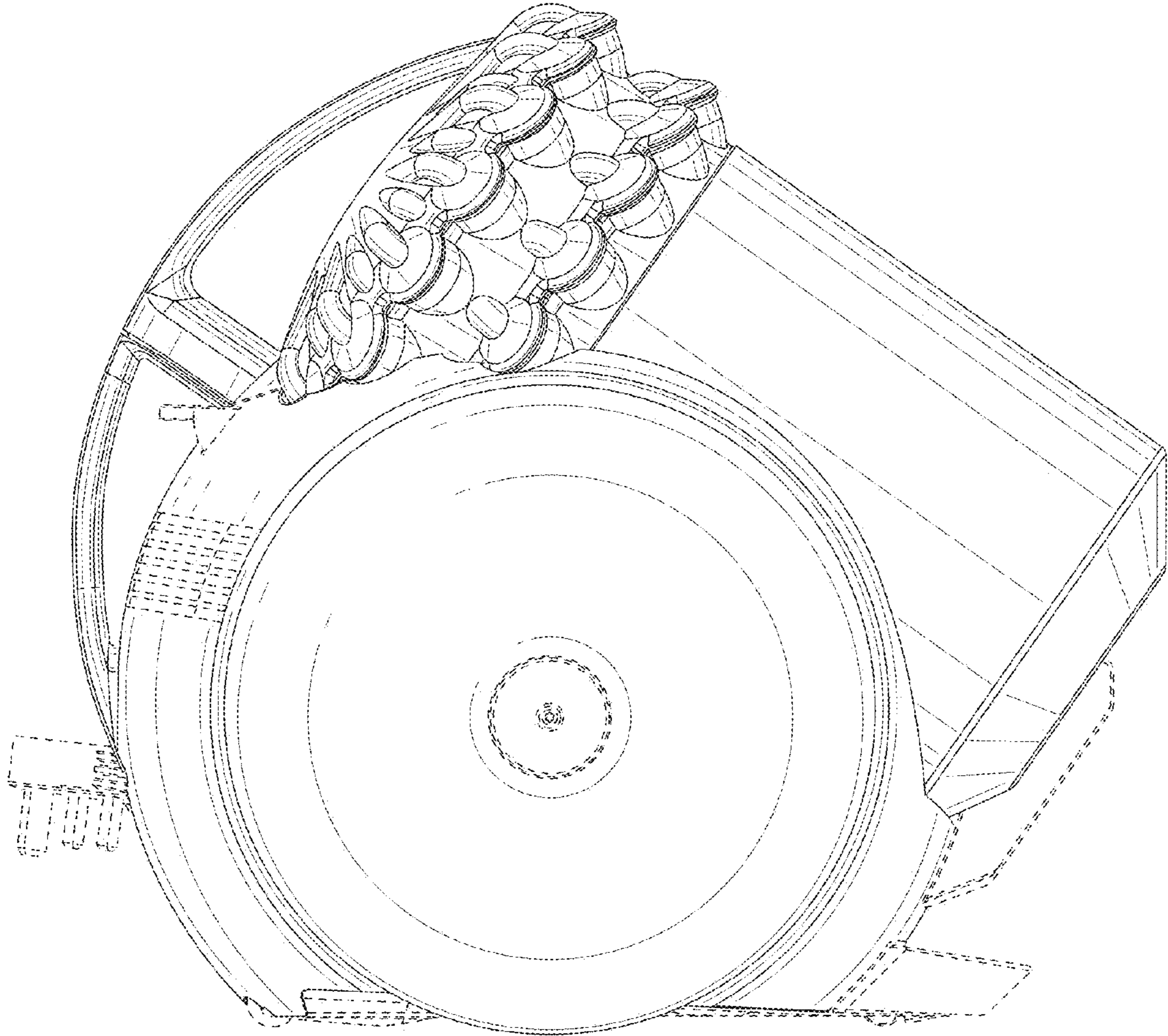


FIG. 2

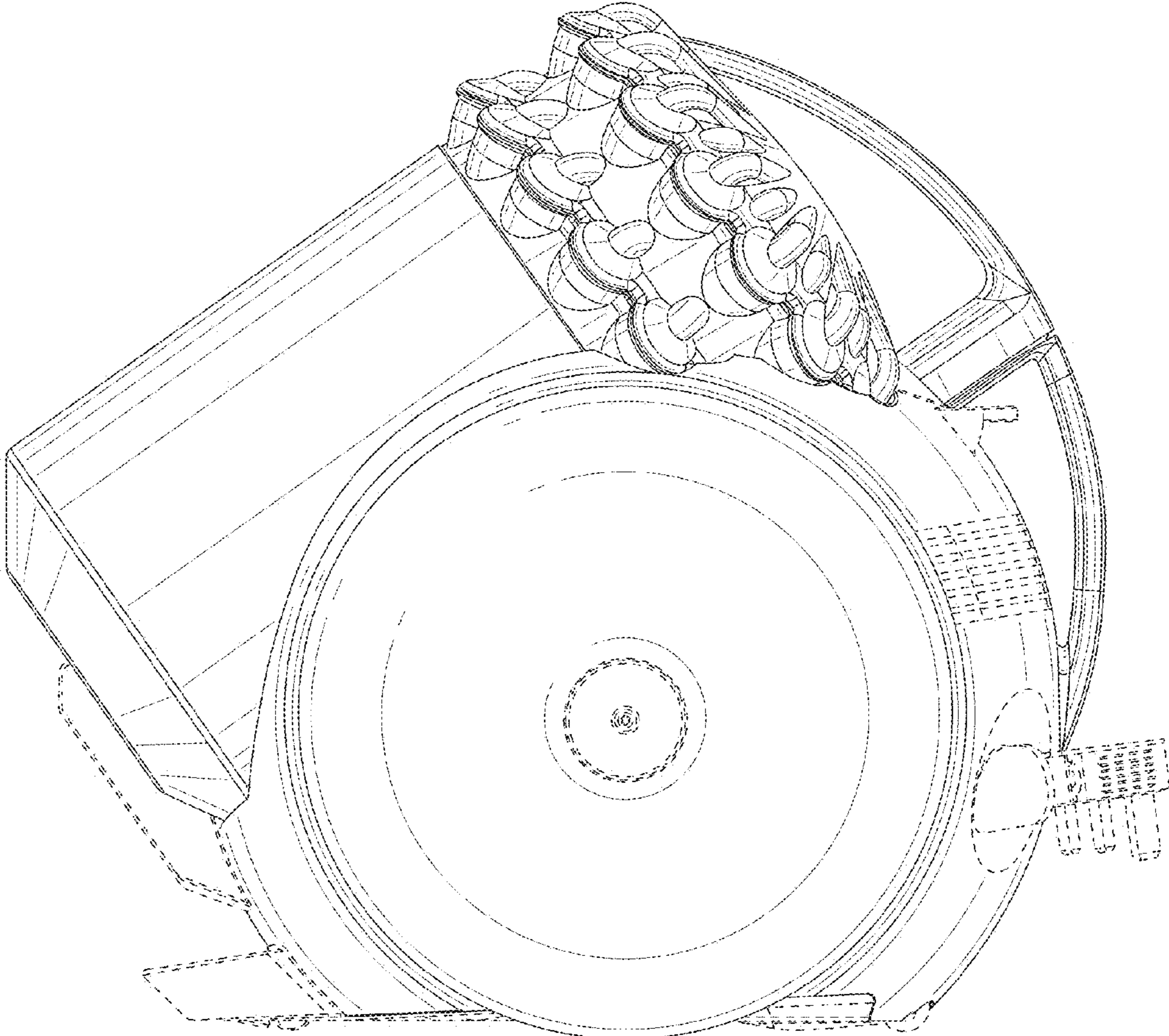


FIG. 3



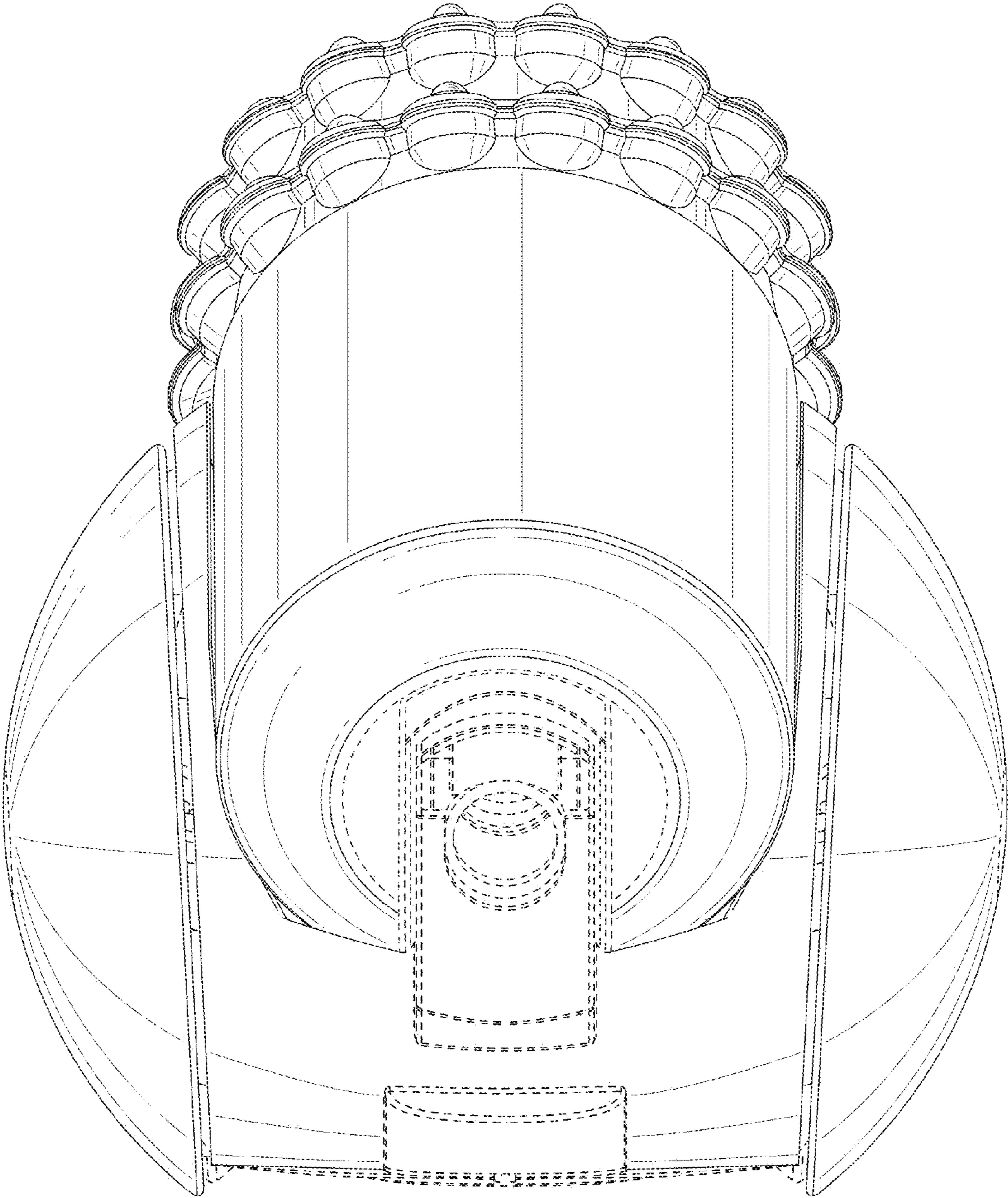


FIG. 4

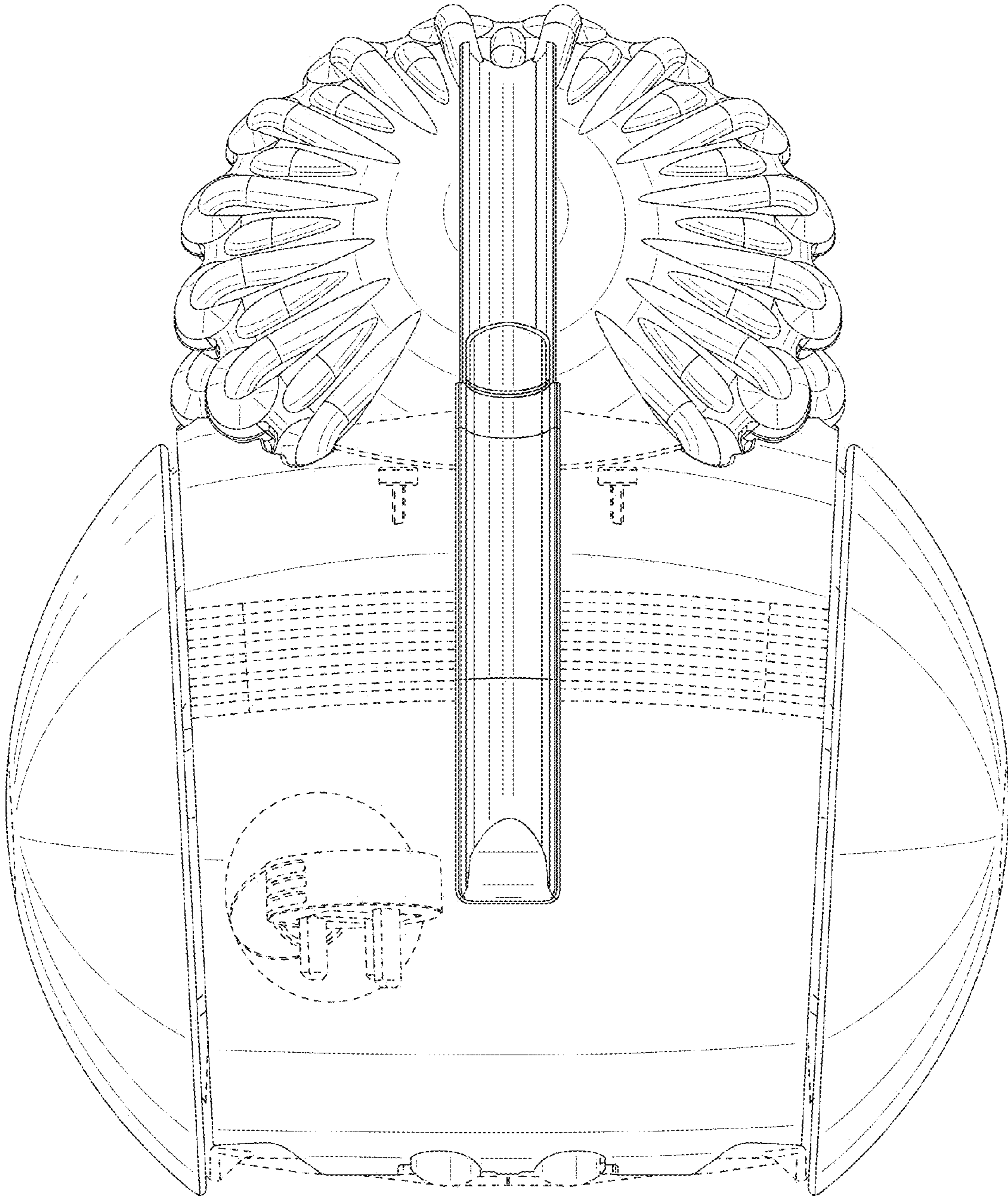


FIG. 5



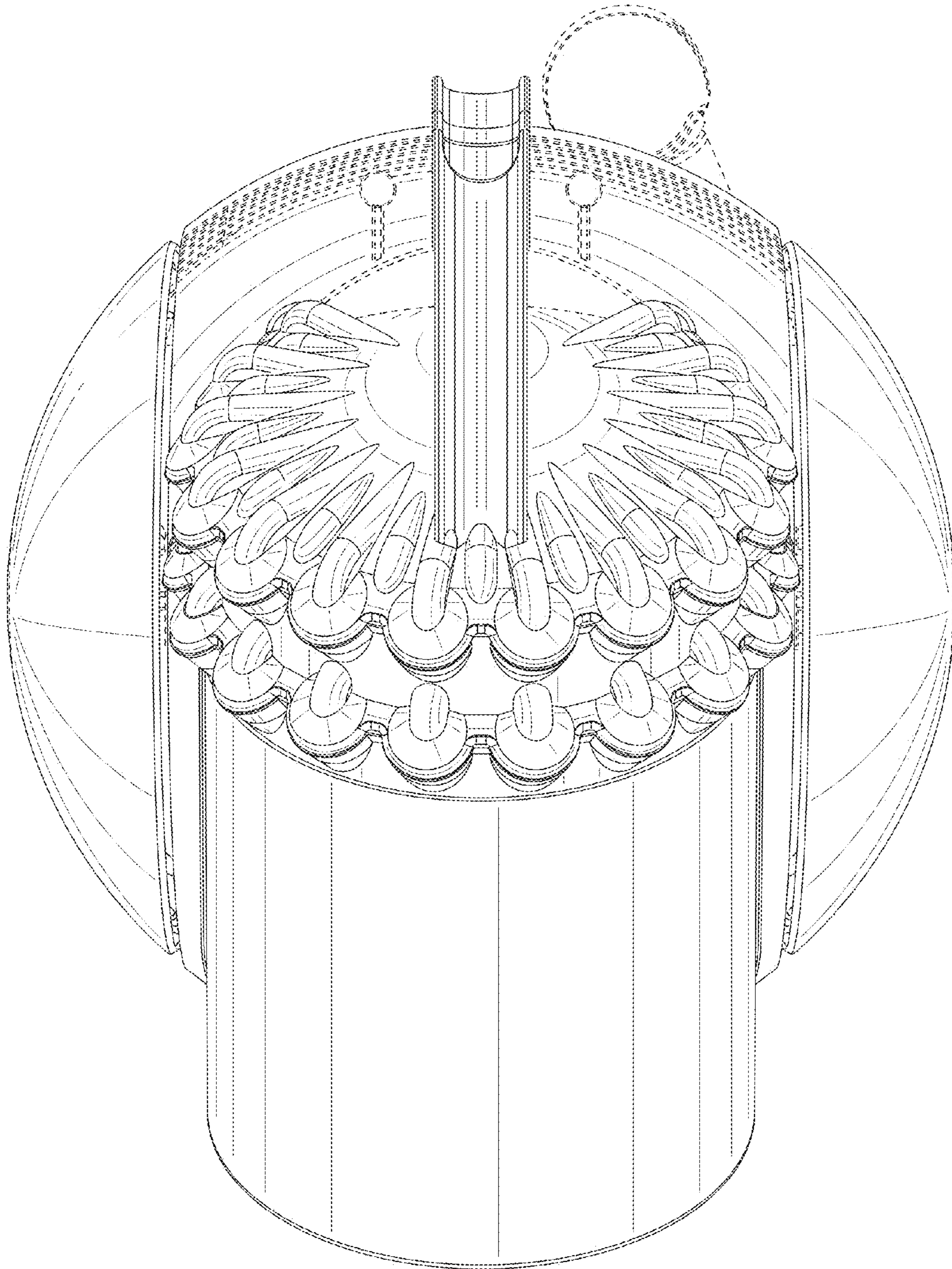


FIG. 6



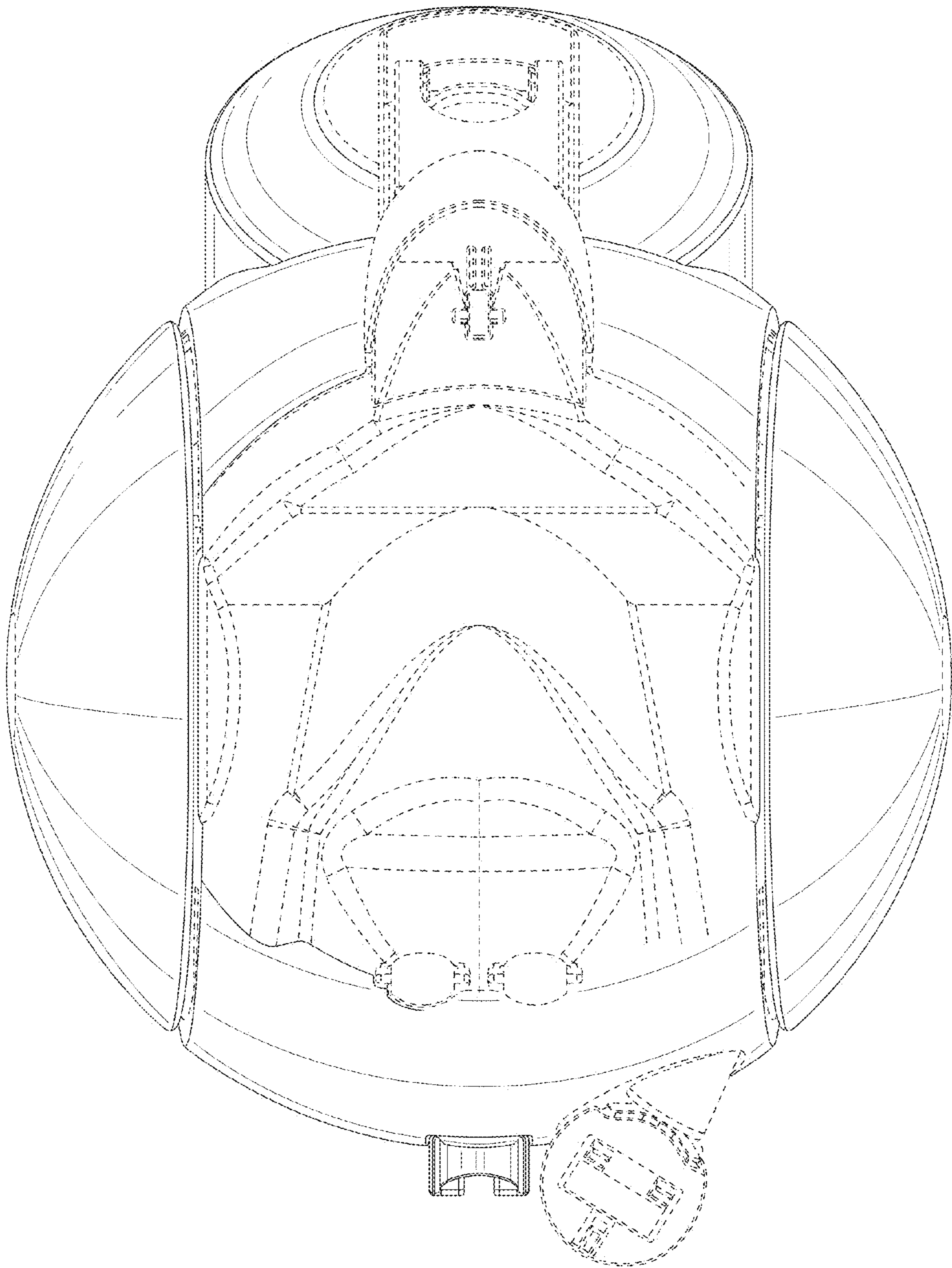


FIG. 7