



US00D767219S

(12) **United States Design Patent**
Dimbylow et al.

(10) **Patent No.:** **US D767,219 S**
(45) **Date of Patent:** **** Sep. 20, 2016**

(54) **PART OF A VACUUM CLEANER**
(71) Applicant: **Dyson Technology Limited**, Wiltshire (GB)
(72) Inventors: **Stephen Robert Dimbylow**, Swindon (GB); **Matthew John Dobson**, Gloucester (GB); **David Christopher James Newton**, Bristol (GB); **Andrew James Wills**, Gloucester (GB); **Adam James Bates**, Oxford (GB); **Rob Edward Marsden**, Bristol (GB); **James Dyson**, Bristol (GB)

(73) Assignee: **Dyson Technology Limited**, Malmesbury, Wiltshire (GB)

(**) Term: **14 Years**

(21) Appl. No.: **29/494,516**

(22) Filed: **Jun. 20, 2014**

(30) **Foreign Application Priority Data**

Dec. 20, 2013 (EM) 002375709-0003

(51) **LOC (10) Cl.** **15-05**

(52) **U.S. Cl.**
USPC **D32/21**

(58) **Field of Classification Search**
USPC D32/18, 21-24, 31
CPC . B01D 50/002; A47L 9/1625; A47L 9/1683;
A47L 9/1666; A47L 9/1641; A47L 5/28;
A47L 5/24; A47L 5/362; A47L 5/365;
A47L 5/36; A47L 7/06

See application file for complete search history.

(56) **References Cited**

U.S. PATENT DOCUMENTS

3,776,127 A 12/1973 Muse
D244,249 S 5/1977 Boswell et al.

4,094,295 A 6/1978 Boswell et al.
5,473,979 A 12/1995 Ruben
D374,371 S 10/1996 Hall McDonald
D445,226 S 7/2001 Jupp
D463,948 S 10/2002 Innes
D471,683 S 3/2003 Dyson et al.
D481,903 S 11/2003 Hester
D484,286 S 12/2003 Dyson et al.
D486,348 S 2/2004 Zhu
D505,761 S 5/2005 Gammack et al.
D518,611 S 4/2006 Hare
D524,091 S 7/2006 Lai
D550,022 S 9/2007 Amajuwon et al.
D555,849 S 11/2007 Choi et al.
D556,962 S 12/2007 Choi et al.

(Continued)

OTHER PUBLICATIONS

Dyson et al., U.S. Office Action mailed Nov. 21, 2011, directed to U.S. Appl. No. 29/388,228; 6 pages.

(Continued)

Primary Examiner — Ruth McInroy

(74) *Attorney, Agent, or Firm* — Morrison & Foerster LLP

(57) **CLAIM**

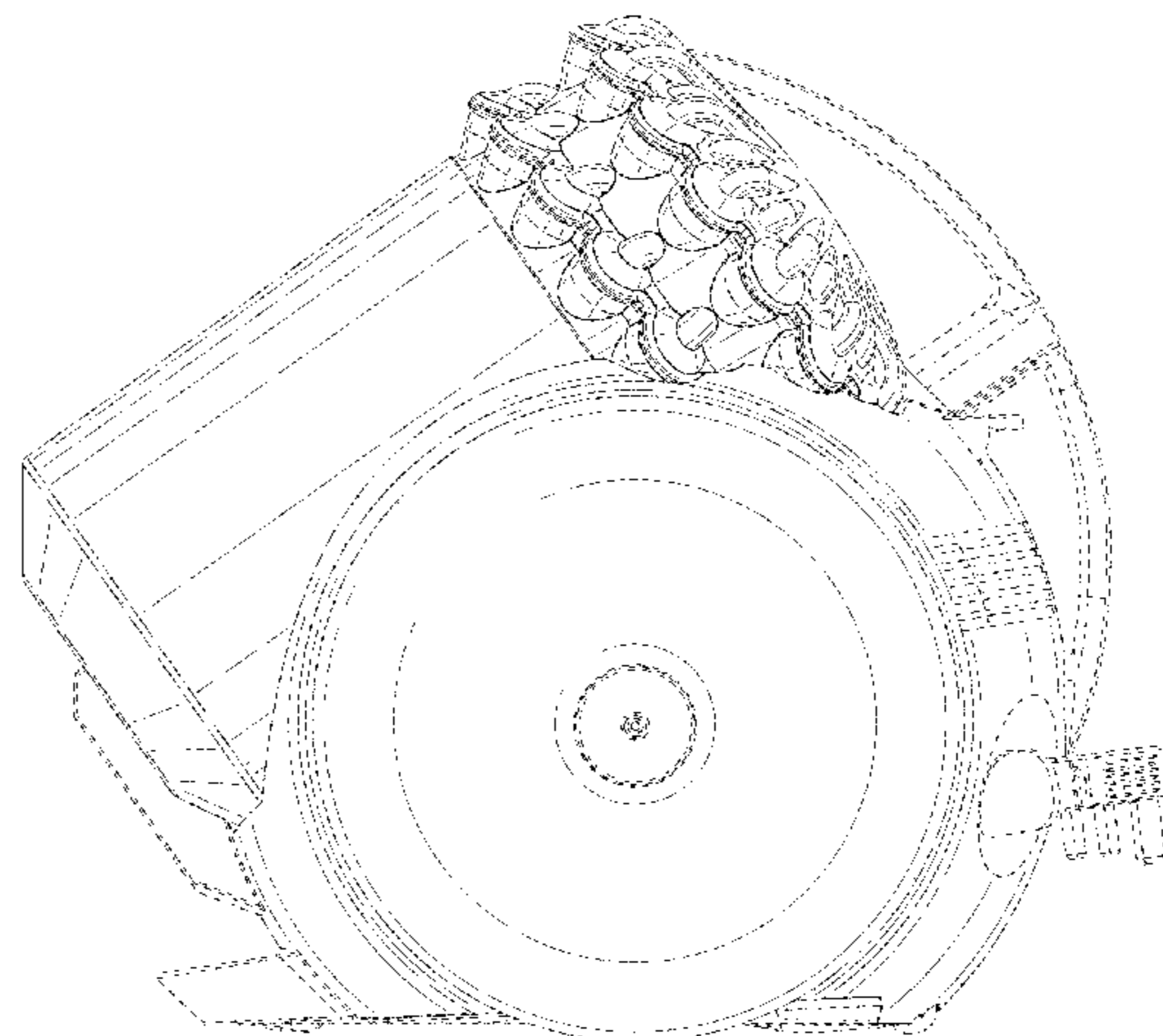
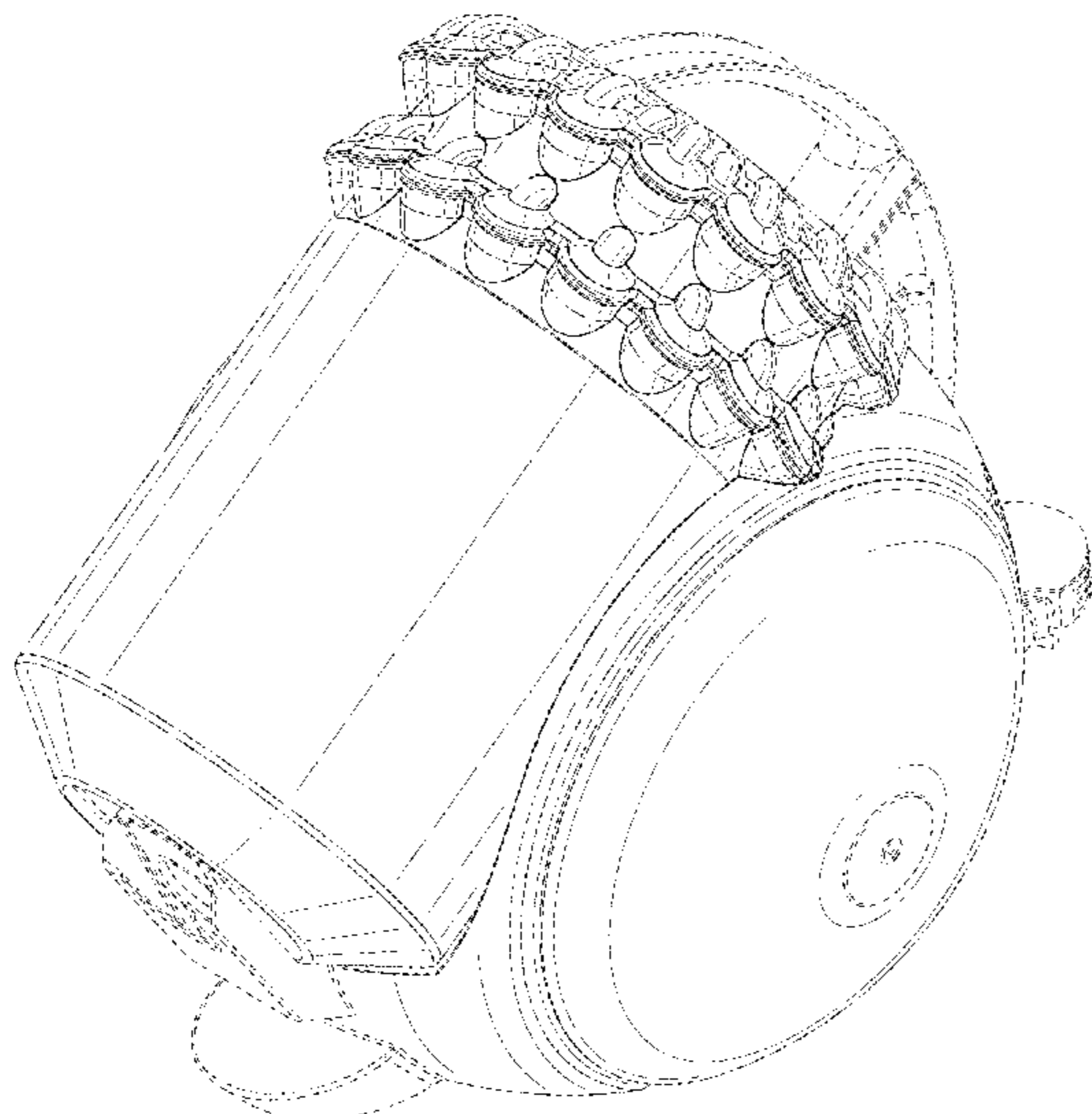
We claim the ornamental design for a part of a vacuum cleaner, as shown and described.

DESCRIPTION

FIG. 1 is a perspective view of a part of a vacuum cleaner showing our new design;
FIG. 2 is a side view thereof;
FIG. 3 is a side view of the opposite side of FIG. 2;
FIG. 4 is a front view thereof;
FIG. 5 is a rear view thereof;
FIG. 6 is a top view thereof; and,
FIG. 7 is a bottom view thereof.

The details shown in broken lines form no part of the claimed design.

1 Claim, 7 Drawing Sheets



(56)

References Cited

U.S. PATENT DOCUMENTS

D557,469 S 12/2007 Choi et al.
 D557,470 S 12/2007 Choi et al.
 D563,066 S 2/2008 Shevlin
 D566,914 S * 4/2008 Dyson D32/31
 D574,177 S 8/2008 Hulsey
 7,425,225 B2 9/2008 Genn et al.
 D583,117 S 12/2008 Peace et al.
 D587,415 S 2/2009 Dyson et al.
 D588,762 S 3/2009 Dyson et al.
 D594,162 S 6/2009 Knox et al.
 D594,608 S * 6/2009 Dyson D32/21
 D594,609 S 6/2009 Dyson et al.
 D609,416 S 2/2010 Hill et al.
 7,721,385 B2 5/2010 Genn et al.
 7,861,705 B2 1/2011 Hulsey
 7,867,307 B2 1/2011 Bates et al.
 7,874,040 B2 1/2011 Follows et al.
 D632,037 S 2/2011 Carr et al.
 7,930,799 B2 4/2011 Sutton et al.
 D642,416 S 8/2011 Scott et al.
 D657,508 S * 4/2012 Dyson D32/21
 D657,511 S * 4/2012 Dyson D32/31
 D670,052 S 10/2012 Dos Reis
 D670,053 S * 10/2012 Dyson D32/31
 D670,054 S * 10/2012 Dyson D32/31
 D673,743 S 1/2013 Dyson et al.
 D676,206 S * 2/2013 Dyson D32/31
 D677,027 S 2/2013 Dyson et al.
 D677,028 S 2/2013 Dyson et al.
 D677,442 S 3/2013 Dyson et al.
 D677,845 S 3/2013 Dyson et al.
 D677,846 S 3/2013 Dyson et al.
 8,429,791 B2 4/2013 White
 8,474,091 B2 7/2013 Dyson et al.
 D705,504 S * 5/2014 Dimbylow D32/21
 D709,256 S * 7/2014 Dyson D32/31
 D714,503 S * 9/2014 Dyson D32/31
 D718,912 S * 12/2014 Ashbee D32/21
 D731,134 S * 6/2015 Dyson D32/31
 D739,102 S * 9/2015 Dyson D32/21
 D741,558 S * 10/2015 Kerr D32/21
 2005/0121018 A1 6/2005 Rosen
 2006/0213023 A1 9/2006 Hare et al.
 2007/0294856 A1 12/2007 Park
 2009/0113663 A1 * 5/2009 Follows A47L 9/1616
 15/347
 2009/0308373 A1 12/2009 Scott et al.
 2010/0218338 A1 9/2010 McLeod

2010/0242208 A1 9/2010 Gammack et al.
 2010/0242219 A1 9/2010 Dyson et al.
 2010/0242220 A1 9/2010 Dyson et al.
 2010/0242221 A1 9/2010 Horne et al.
 2012/0272474 A1 11/2012 Follows et al.
 2012/0284952 A1 11/2012 Horne
 2012/0284954 A1 11/2012 Horne
 2012/0284960 A1 11/2012 Sutton et al.
 2013/0160233 A1 6/2013 Peace et al.
 2014/0053365 A1 * 2/2014 Gammack A47L 9/1625
 15/327.1
 2014/0137364 A1 * 5/2014 Stickney A47L 5/24
 15/347
 2015/0113762 A1 * 4/2015 Robertson A47L 9/1616
 15/353
 2015/0182086 A1 * 7/2015 Dimbylow A47L 5/362
 15/353

OTHER PUBLICATIONS

Dyson et al., U.S. Office Action mailed May 3, 2012, directed to U.S. Appl. No. 29/388,228; 5 pages.
 Dyson et al., U.S. Office Action mailed Nov. 22, 2011, directed to U.S. Appl. No. 29/388,247; 6 pages.
 Dyson et al., U.S. Office Action mailed May 2, 2012, directed to U.S. Appl. No. 29/388,247; 5 pages.
 Dyson et al., U.S. Office Action mailed Nov. 21, 2011, directed to U.S. Appl. No. 29/388,229; 6 pages.
 Dyson et al., U.S. Office Action mailed May 2, 2012, directed to U.S. Appl. No. 29/388,229; 5 pages.
 Dyson et al., U.S. Office Action mailed Nov. 23, 2011, directed to U.S. Appl. No. 29/388,341; 6 pages.
 Dyson et al., U.S. Office Action mailed May 2, 2012, directed to U.S. Appl. No. 29/388,341; 6 pages.
 Dyson et al., U.S. Office Action mailed Nov. 23, 2011, directed to U.S. Appl. No. 29/388,226; 6 pages.
 Dyson et al., U.S. Office Action mailed May 1, 2012, directed to U.S. Appl. No. 29/388,226; 6 pages.
 Dyson et al., U.S. Office Action mailed Nov. 23, 2011, directed to U.S. Appl. No. 29/388,242; 8 pages.
 Dyson et al., U.S. Office Action mailed May 2, 2012, directed to U.S. Appl. No. 29/388,242; 6 pages.
 Dimbylow et al., U.S. Office Action mailed Nov. 20, 2013, directed to U.S. Appl. No. 29/464,524; 9 pages.
 Dimbylow et al., U.S. Office Action mailed Dec. 5, 2013, directed to U.S. Appl. No. 29/464,487; 9 pages.
 Ashbee et al., U.S. Office Action mailed Nov. 19, 2013, directed to U.S. Appl. No. 29/464,488; 9 pages.

* cited by examiner

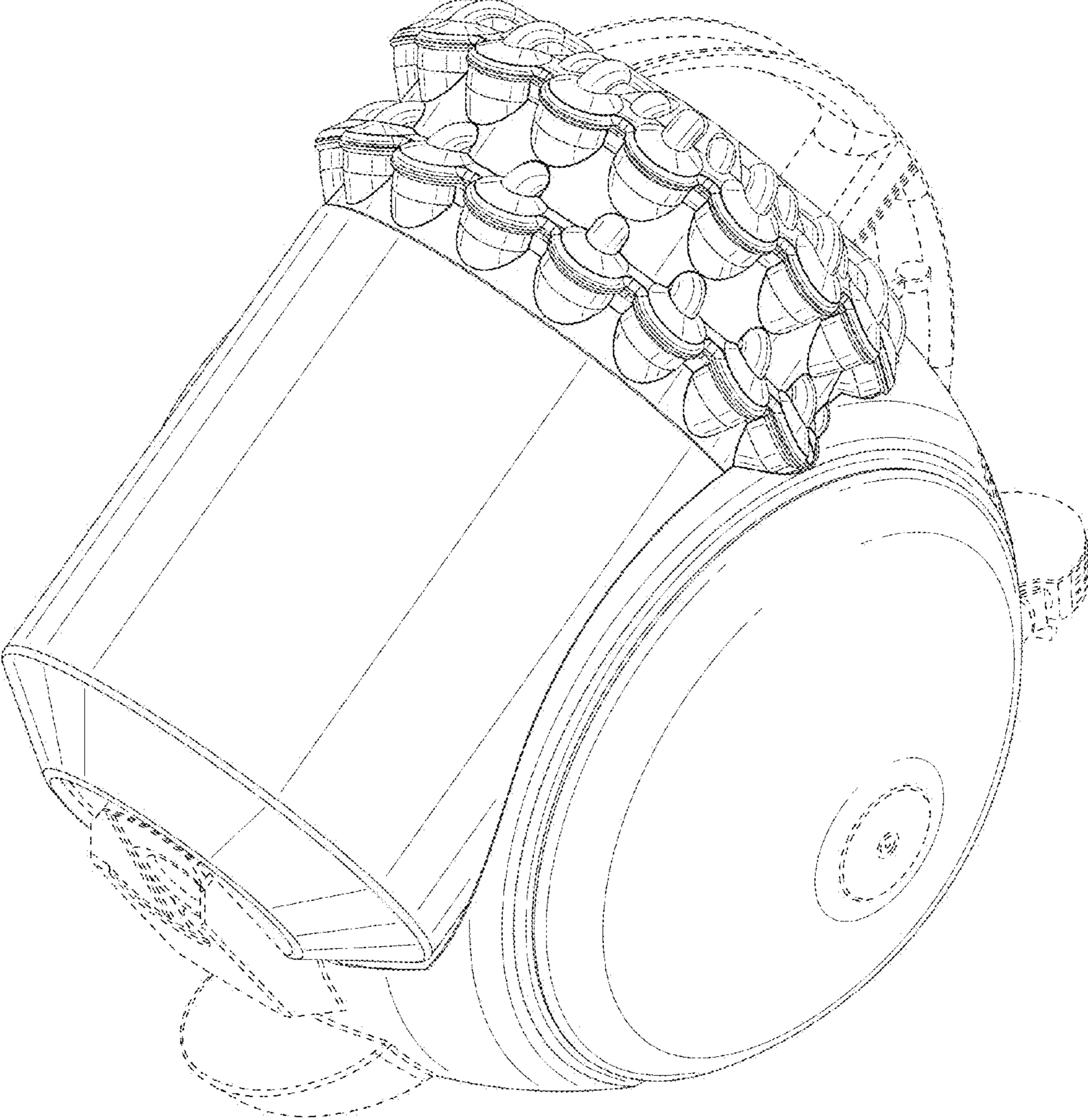


FIG. 1

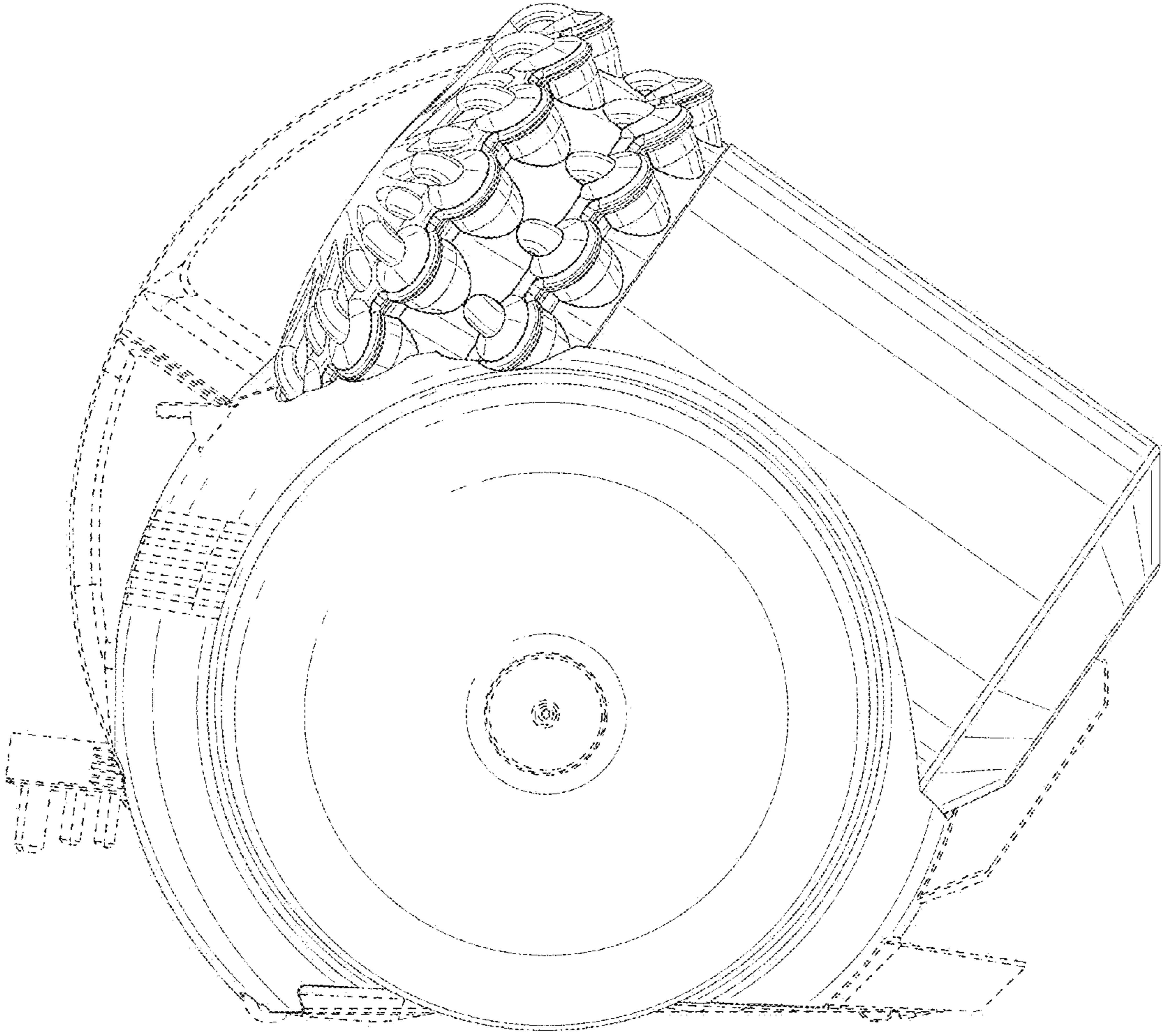


FIG. 2

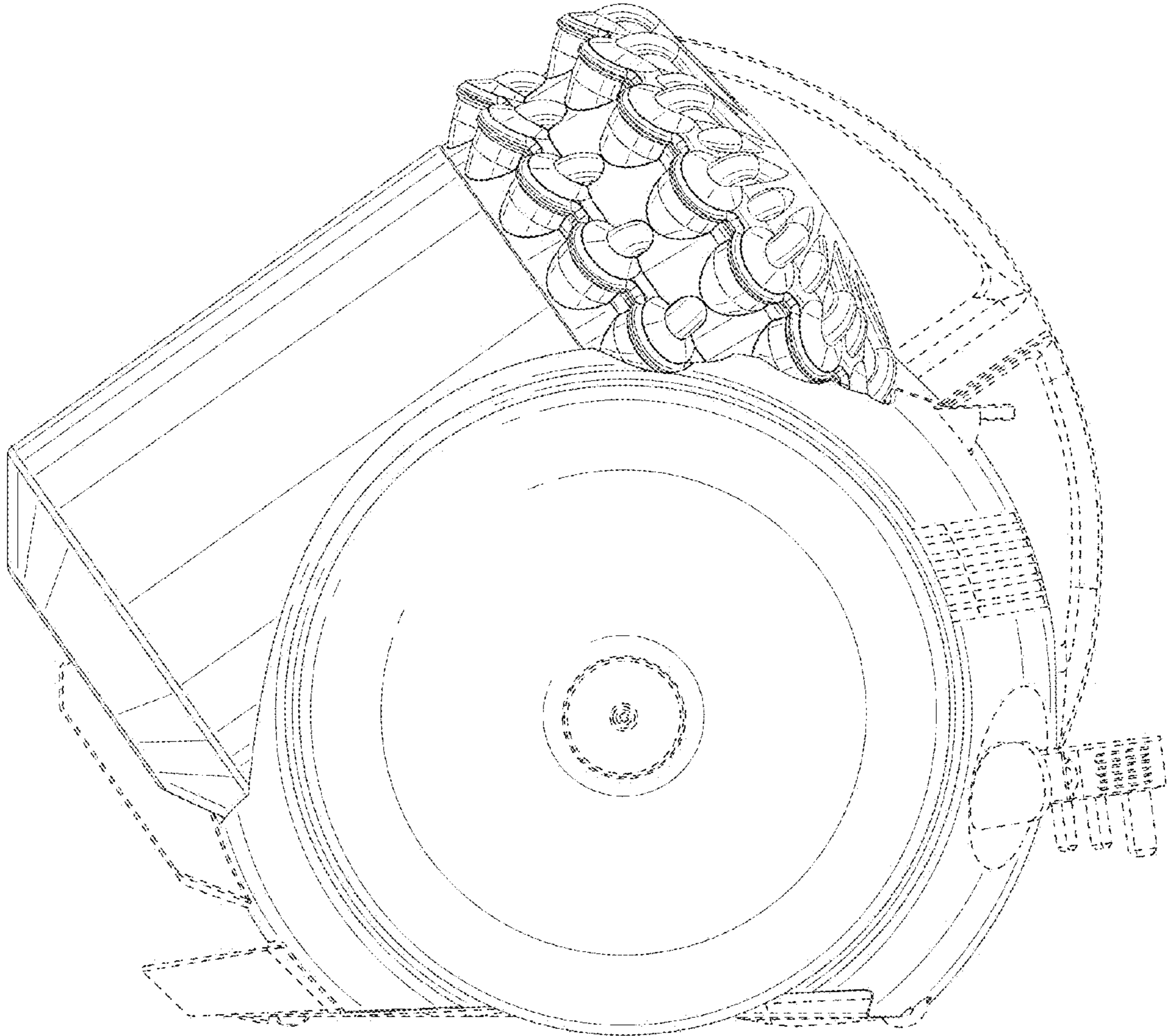


FIG. 3

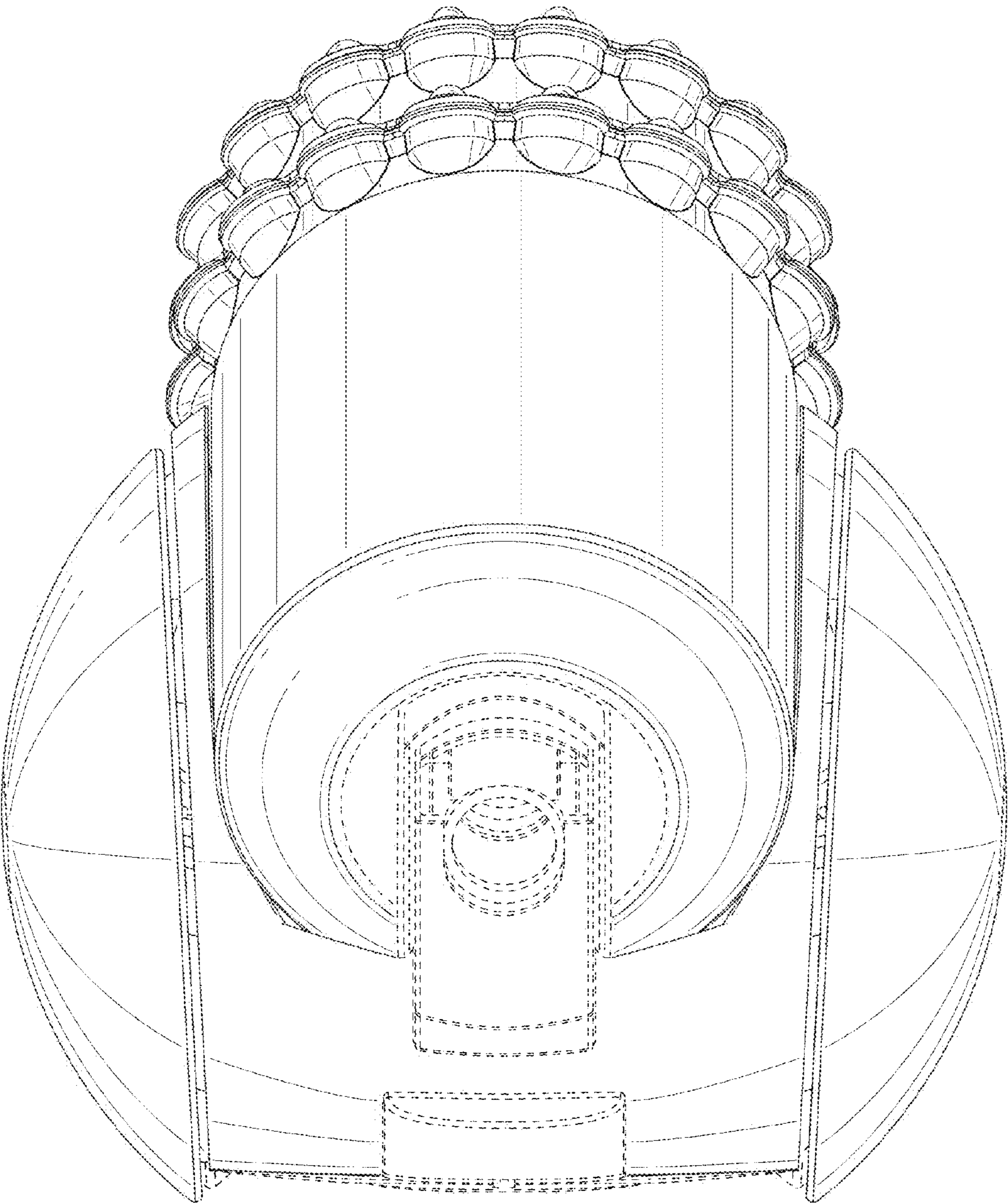


FIG. 4

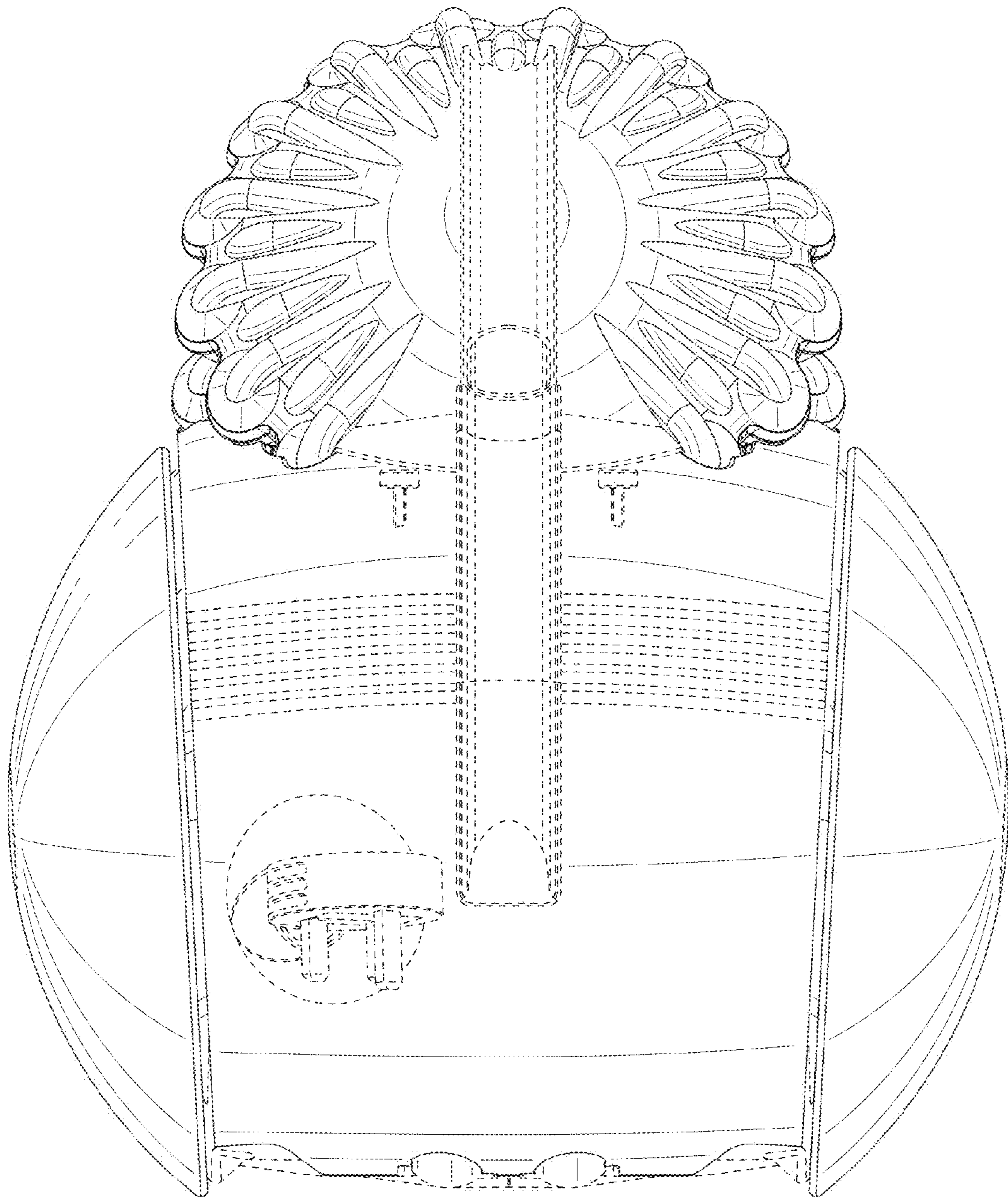


FIG. 5

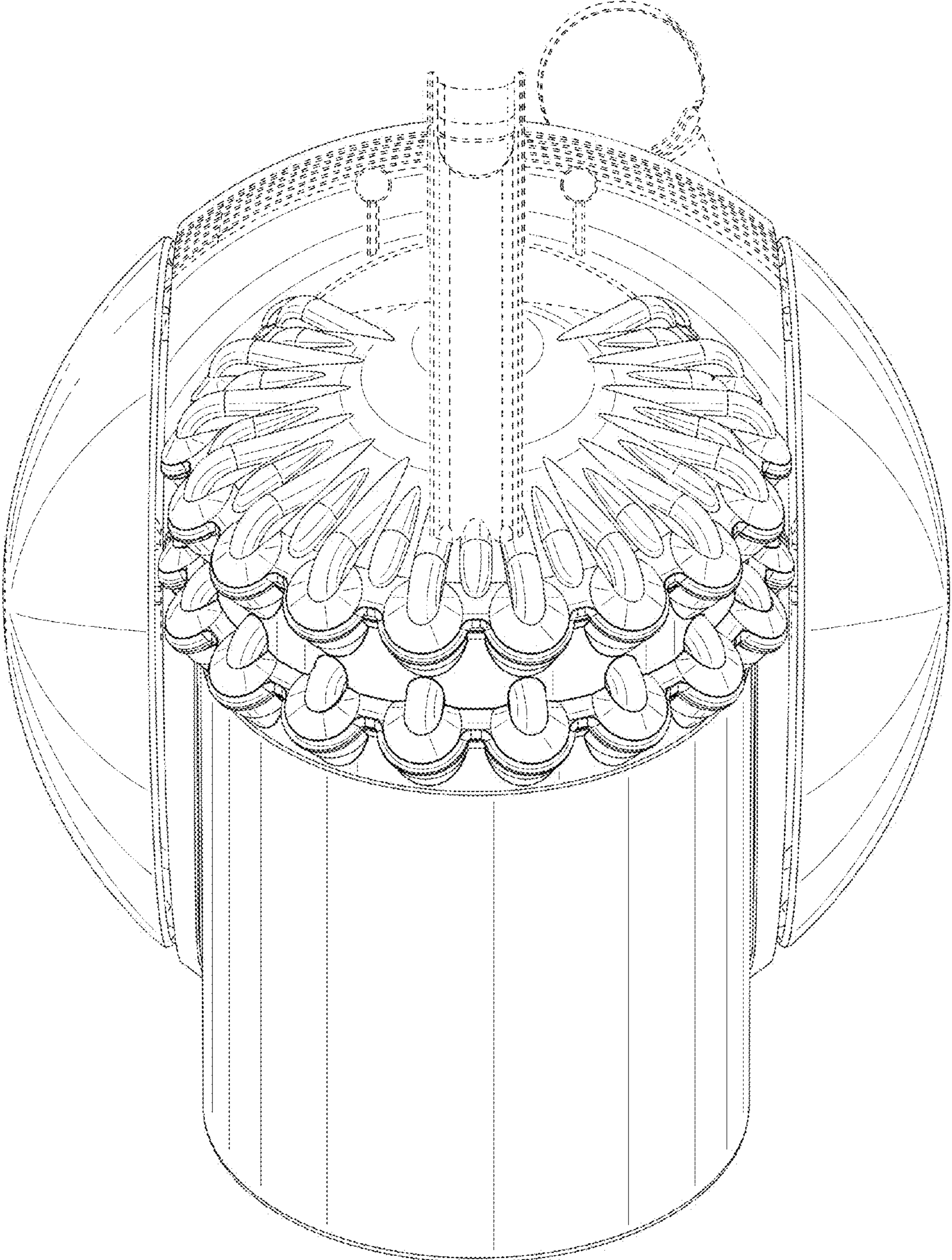


FIG. 6

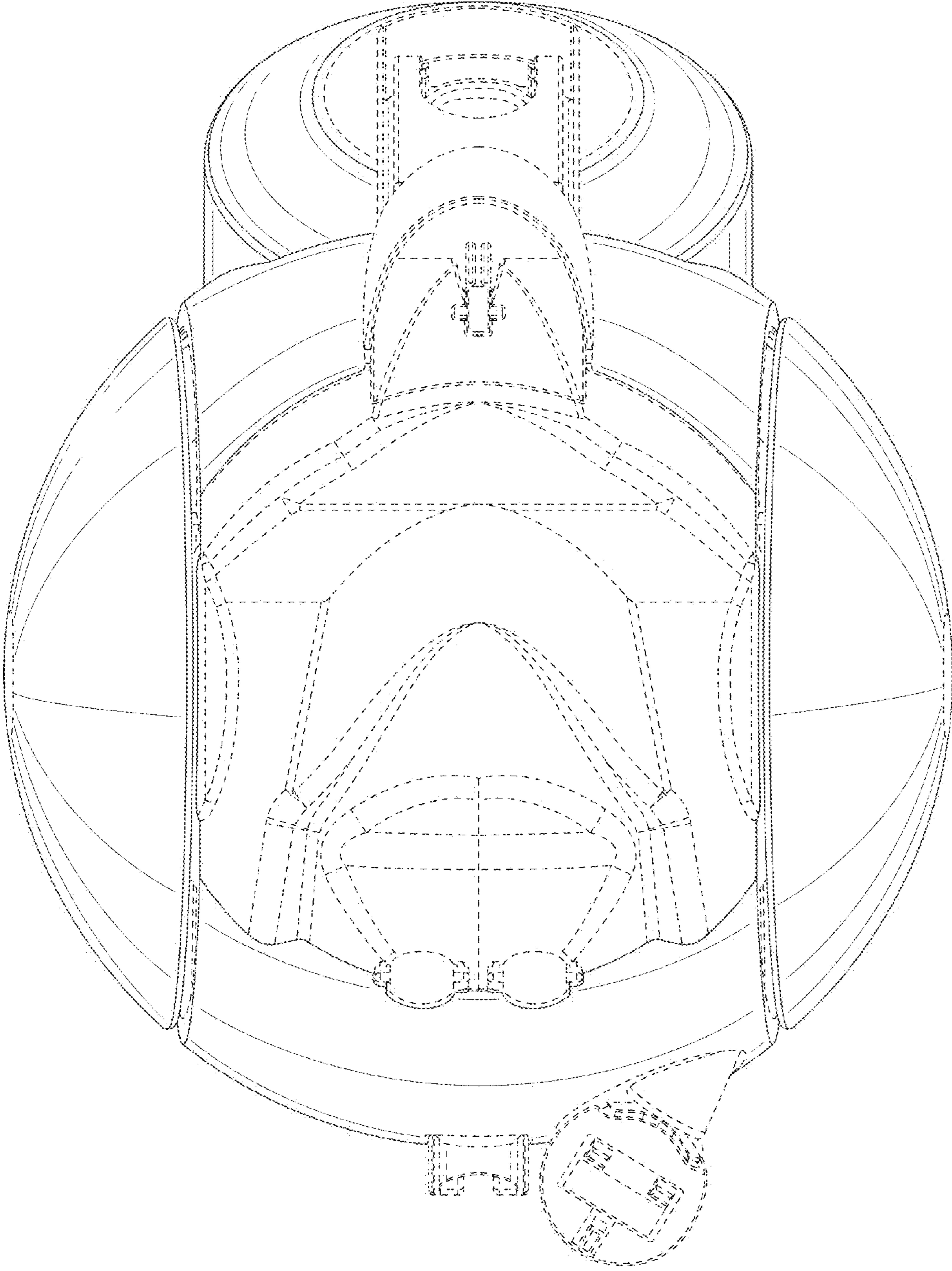


FIG. 7