



US00D767213S

(12) **United States Design Patent** (10) **Patent No.:** **US D767,213 S**
Hanudel et al. (45) **Date of Patent:** **** Sep. 20, 2016**

(54) **HELMET MOUNTED VISOR**

(71) Applicant: **Artisent, LLC**, Carbondale, PA (US)

(72) Inventors: **Matthew Hanudel**, Waltham, MA (US); **Duco W. Noordzij**, Roslindale, MA (US); **Desmond Walsh**, Duxbury, MA (US)

(73) Assignee: **ARTISENT, LLC**, Simpson, PA (US)

(**) Term: **14 Years**

(21) Appl. No.: **29/521,272**

(22) Filed: **Mar. 21, 2015**

(51) **LOC (10) Cl.** **29-02**

(52) **U.S. Cl.**
USPC **D29/122**

(58) **Field of Classification Search**
USPC D29/100, 102, 104, 105, 106, 107, 108, D29/109, 110, 122; D2/872, 873, 882; 2/455, 421, 424, 425, 15, 10, 12, 427, 2/428, 429, 431, 432, 9, 6.3, 6.4, 6.5, 6.6, 2/6.7, 411, 5, 173, 206, 207, 209.12, 2/209.13, 205, 909, 195.1, 195.6; 446/27
CPC A42B 1/00; A42B 3/04
See application file for complete search history.

(56) **References Cited**

U.S. PATENT DOCUMENTS

7,546,645 B2 *	6/2009	Goodhand	A42B 3/22
				2/15
D632,437 S *	2/2011	Lebel	D29/107
D632,439 S *	2/2011	Lebel	D29/122
D692,620 S *	10/2013	Gendron	D29/122
D701,002 S *	3/2014	Lebel	D29/122
D703,874 S *	4/2014	Lebel	D29/122

OTHER PUBLICATIONS

Ops-Core 2012 Product Catalog; www.ops-core.com; Boston, MA, US; pp. 1-23; disclosed on or before Dec. 31, 2012.
Ops-Core 2013 Product Catalog; www.ops-core.com; Boston, MA, US; pp. 1-23; first disclosed on Jan. 14, 2013.
Ops-Core 2014 Product Catalog; www.ops-core.com; Boston, MA, US; pp. 1-27; first disclosed on Jan. 13, 2014.
Ops-Core 2015 Product Catalog; www.ops-core.com; Boston, MA, US; pp. 1-23; first disclosed on Jan. 12, 2015.

* cited by examiner

Primary Examiner — Randall Gholson

(74) *Attorney, Agent, or Firm* — Morgan, Lewis & Bockius LLP

(57) **CLAIM**

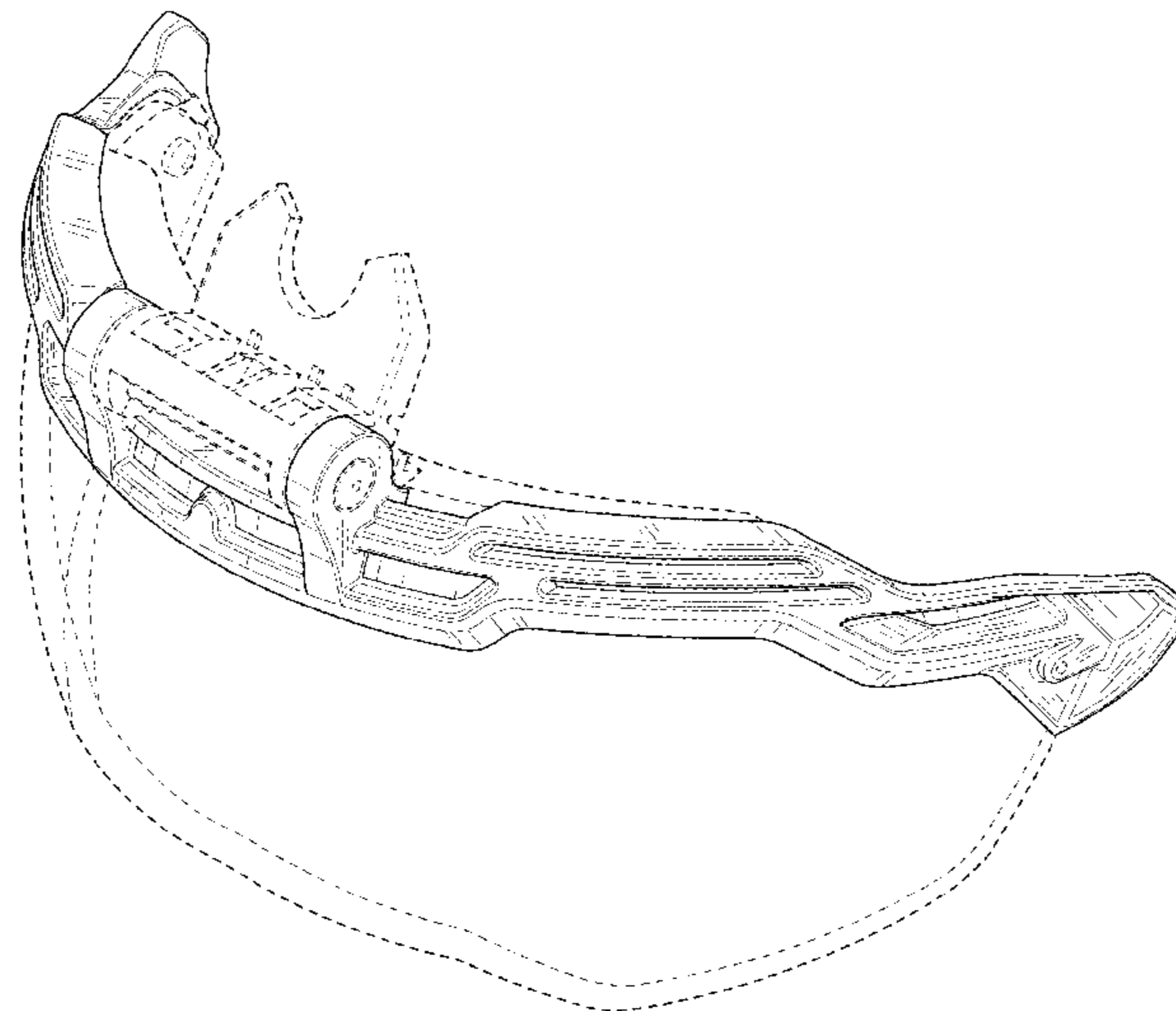
The ornamental design for helmet mounted visor, as shown and described.

DESCRIPTION

FIG. 1 is a front perspective view of an embodiment of a helmet mounted visor in accordance with our new design; FIG. 2 is a front elevational view of the helmet mounted visor shown in FIG. 1; FIG. 3 is a rear elevational view of the helmet mounted visor shown in FIG. 1; FIG. 4 is a left-side elevational view of the helmet mounted visor shown in FIG. 1; FIG. 5 is a right-side elevational view of the helmet mounted visor shown in FIG. 1; FIG. 6 is a top plan view of the helmet mounted visor shown in FIG. 1; and, FIG. 7 is a bottom plan view of the helmet mounted visor shown in FIG. 1.

The broken lines shown in the drawings represent portions of the helmet mounted visor that form no part of the claimed design.

1 Claim, 6 Drawing Sheets



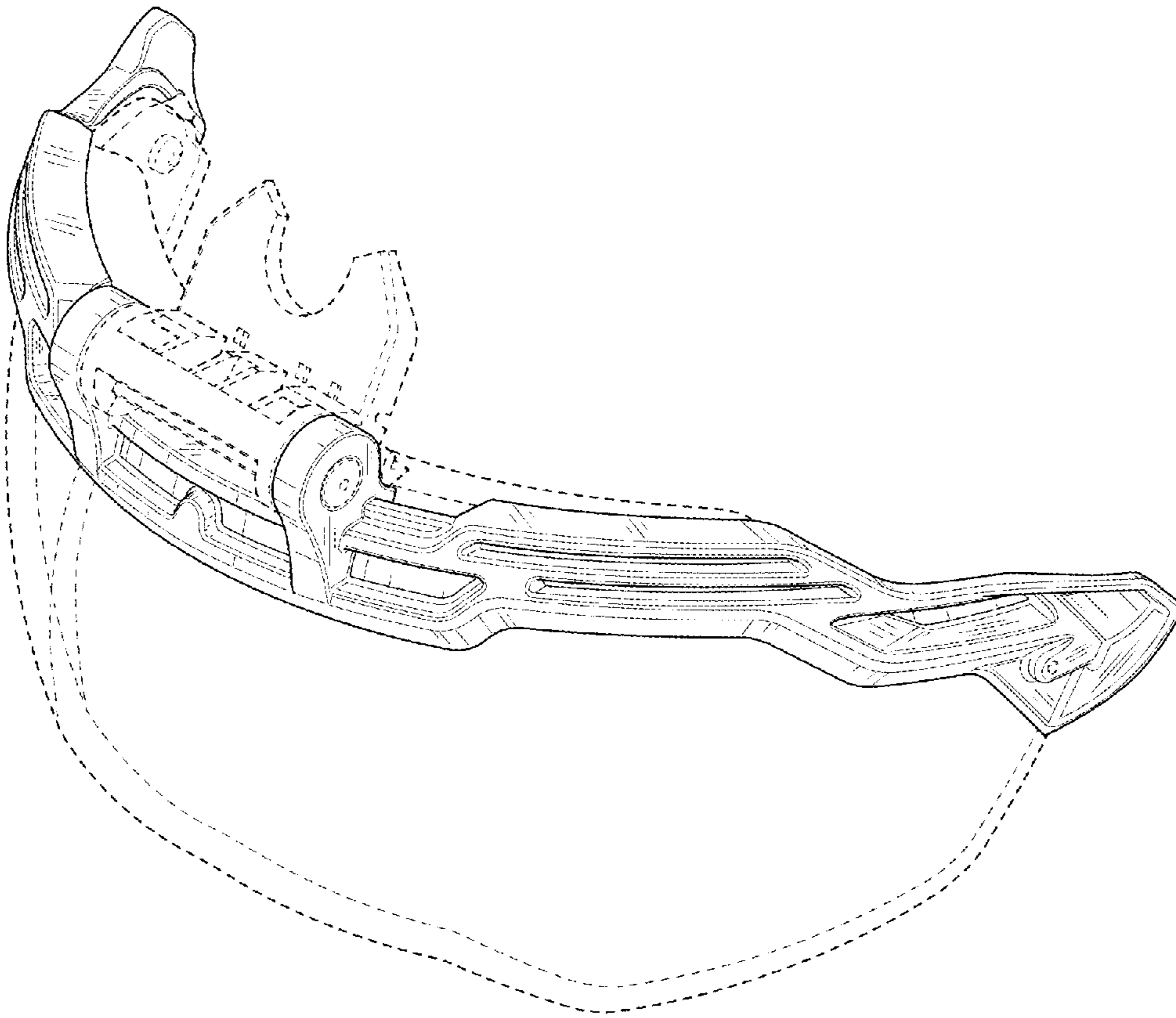


FIG. 1

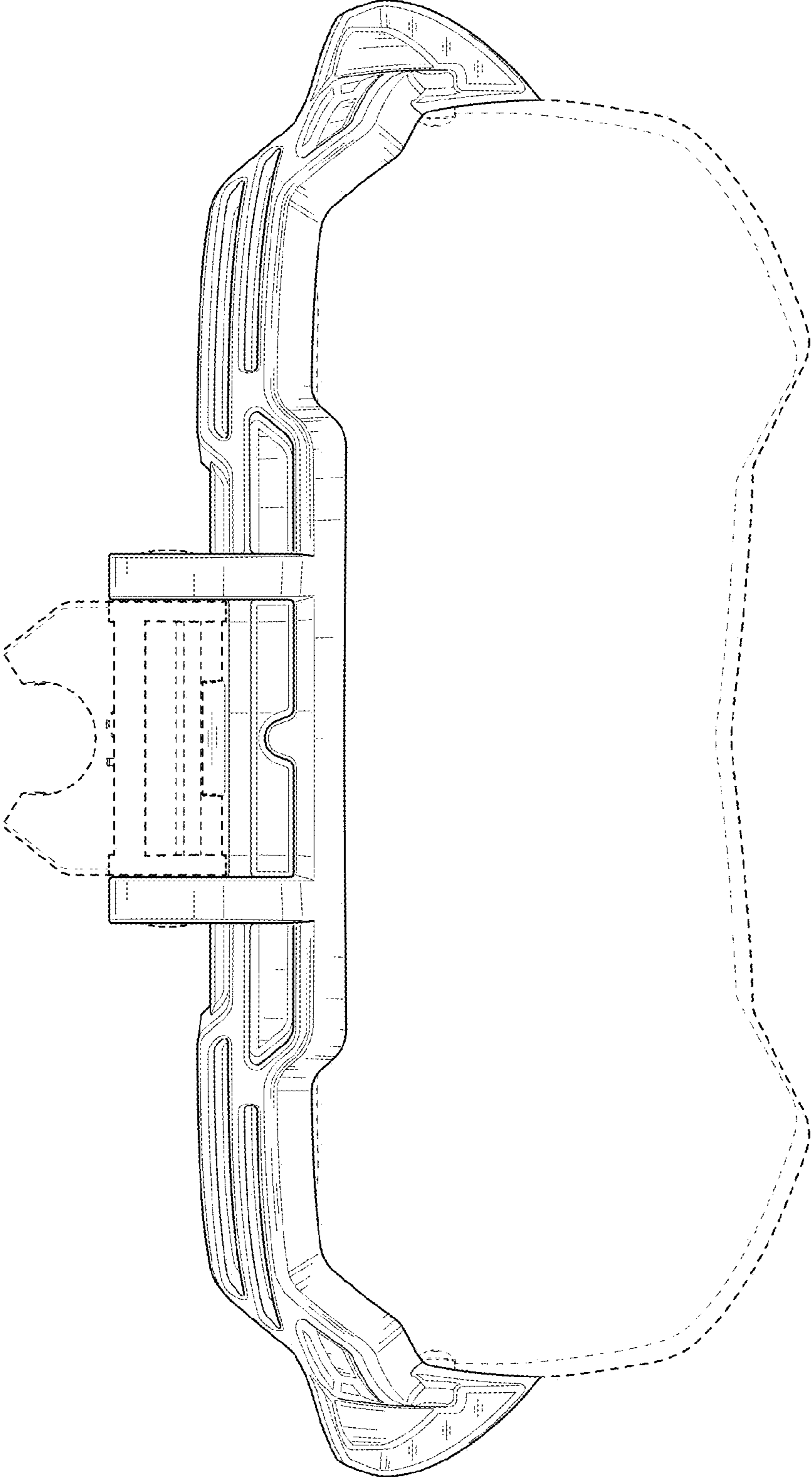


FIG. 2

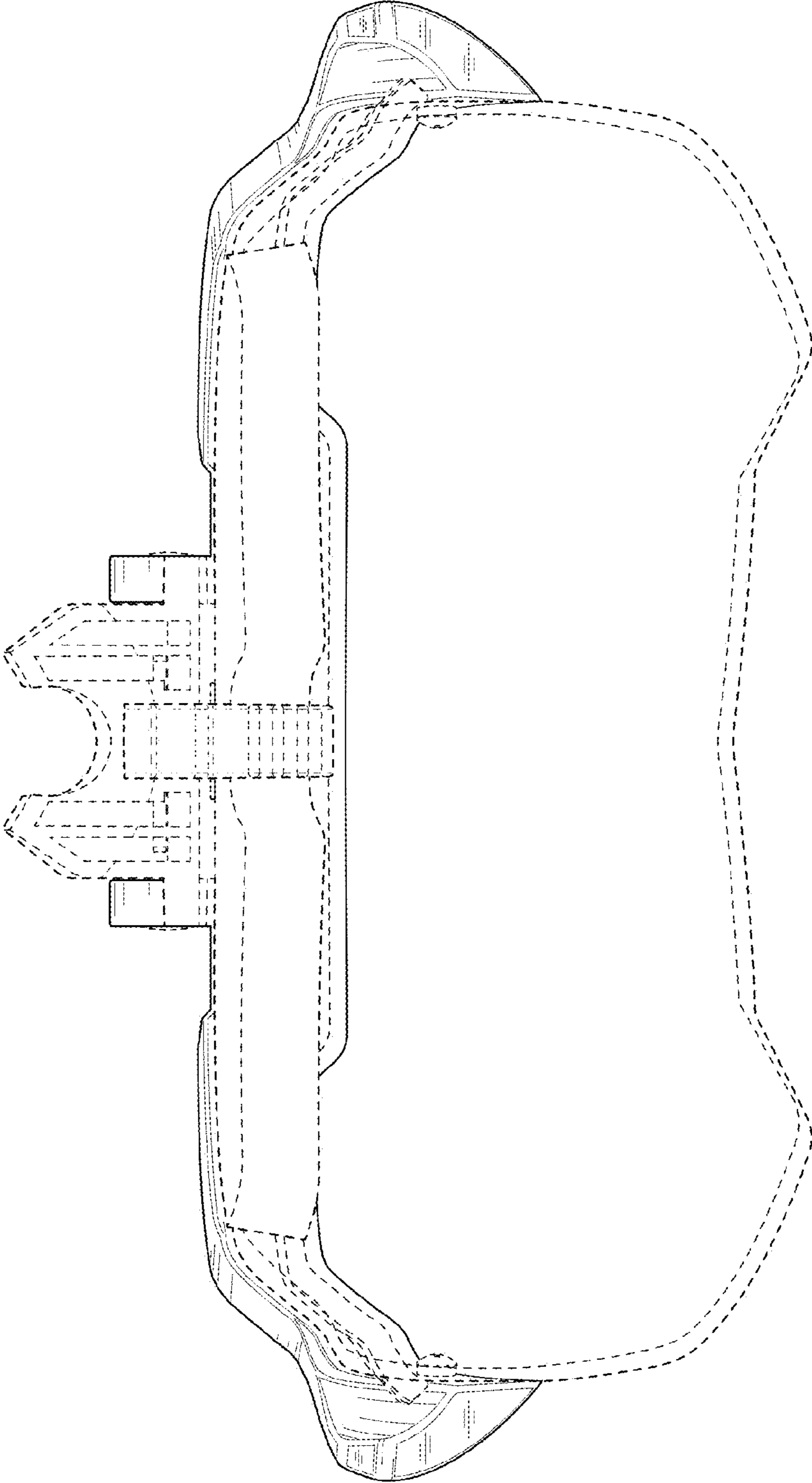


FIG. 3

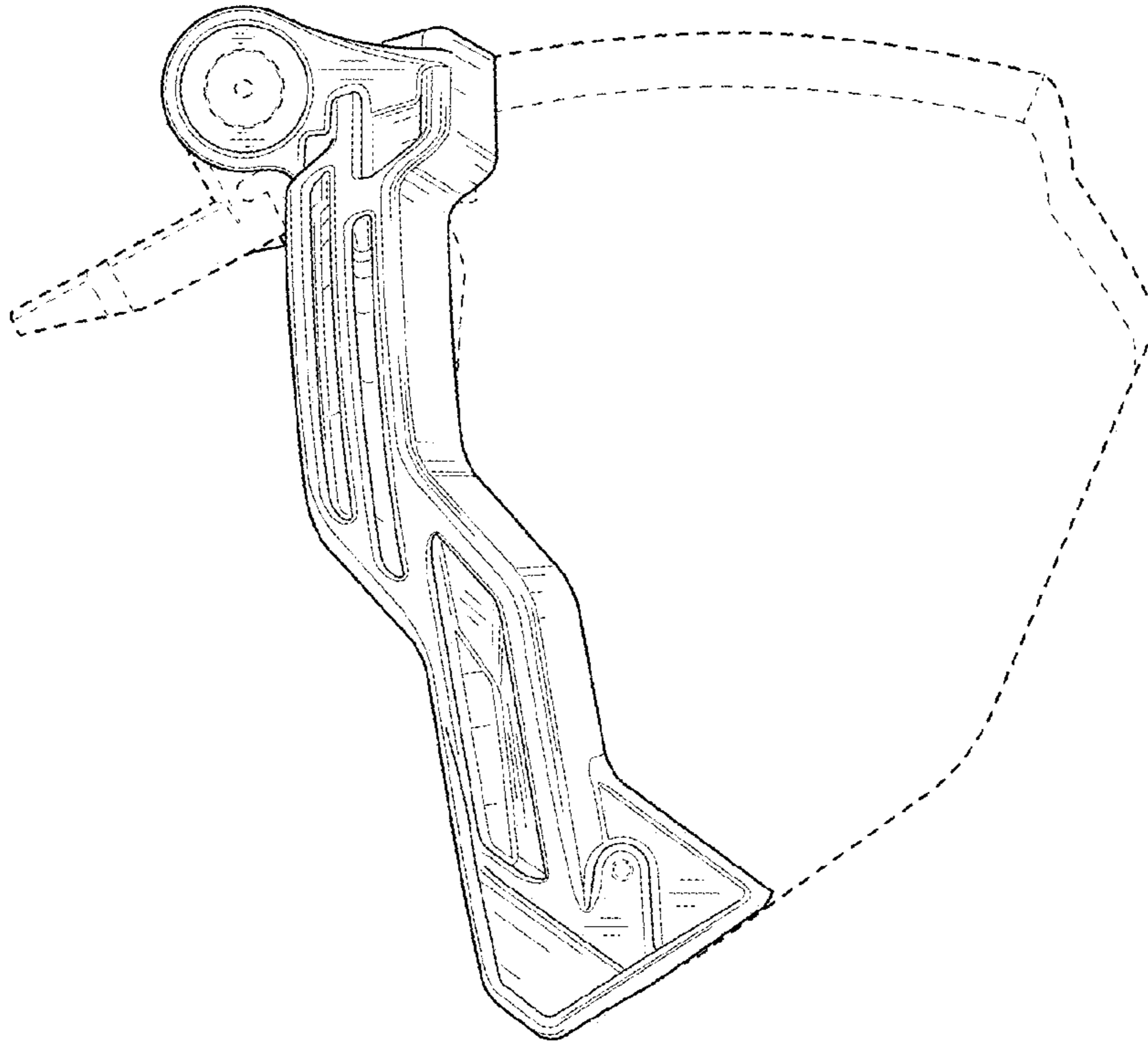


FIG. 5

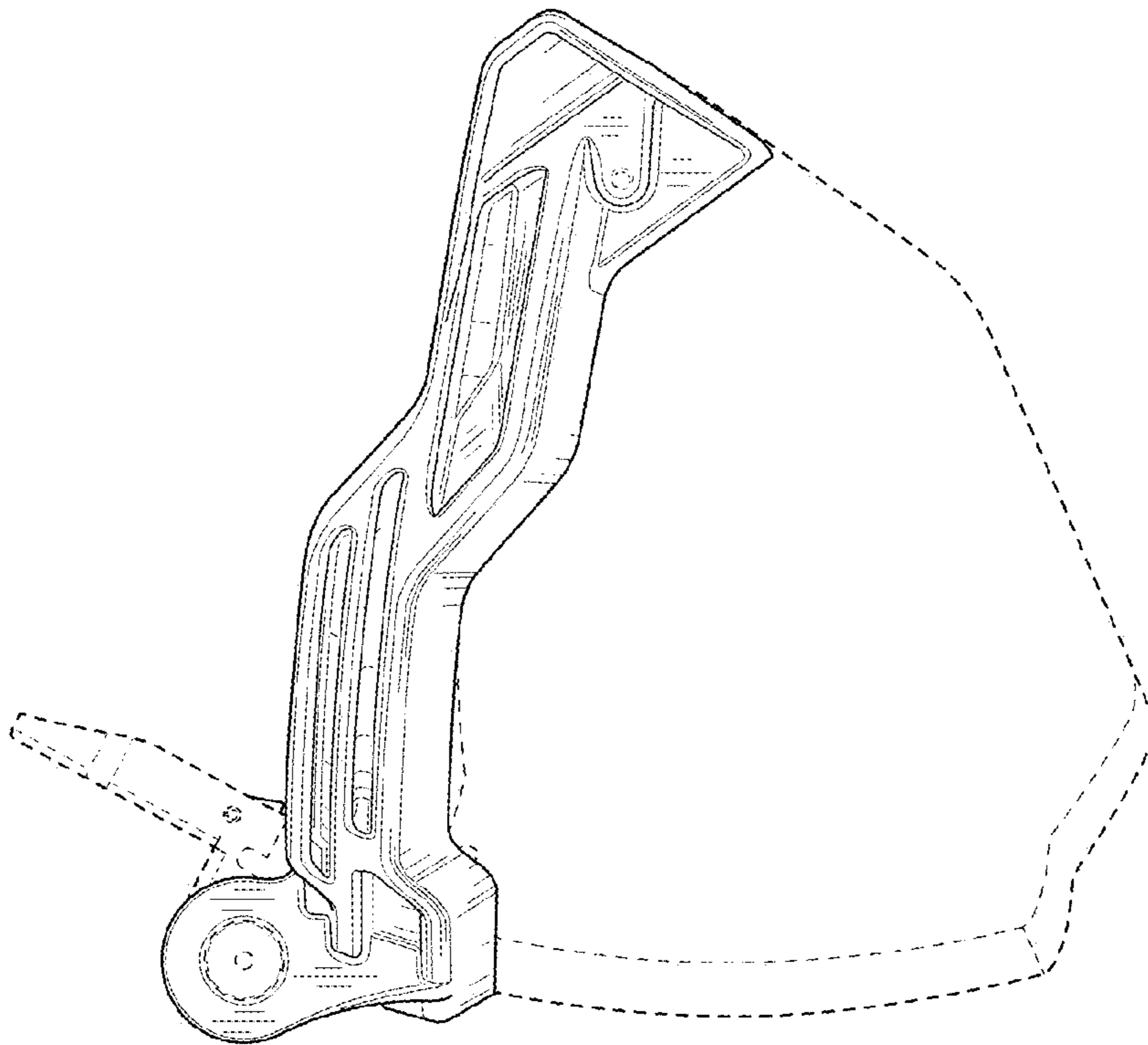


FIG. 4

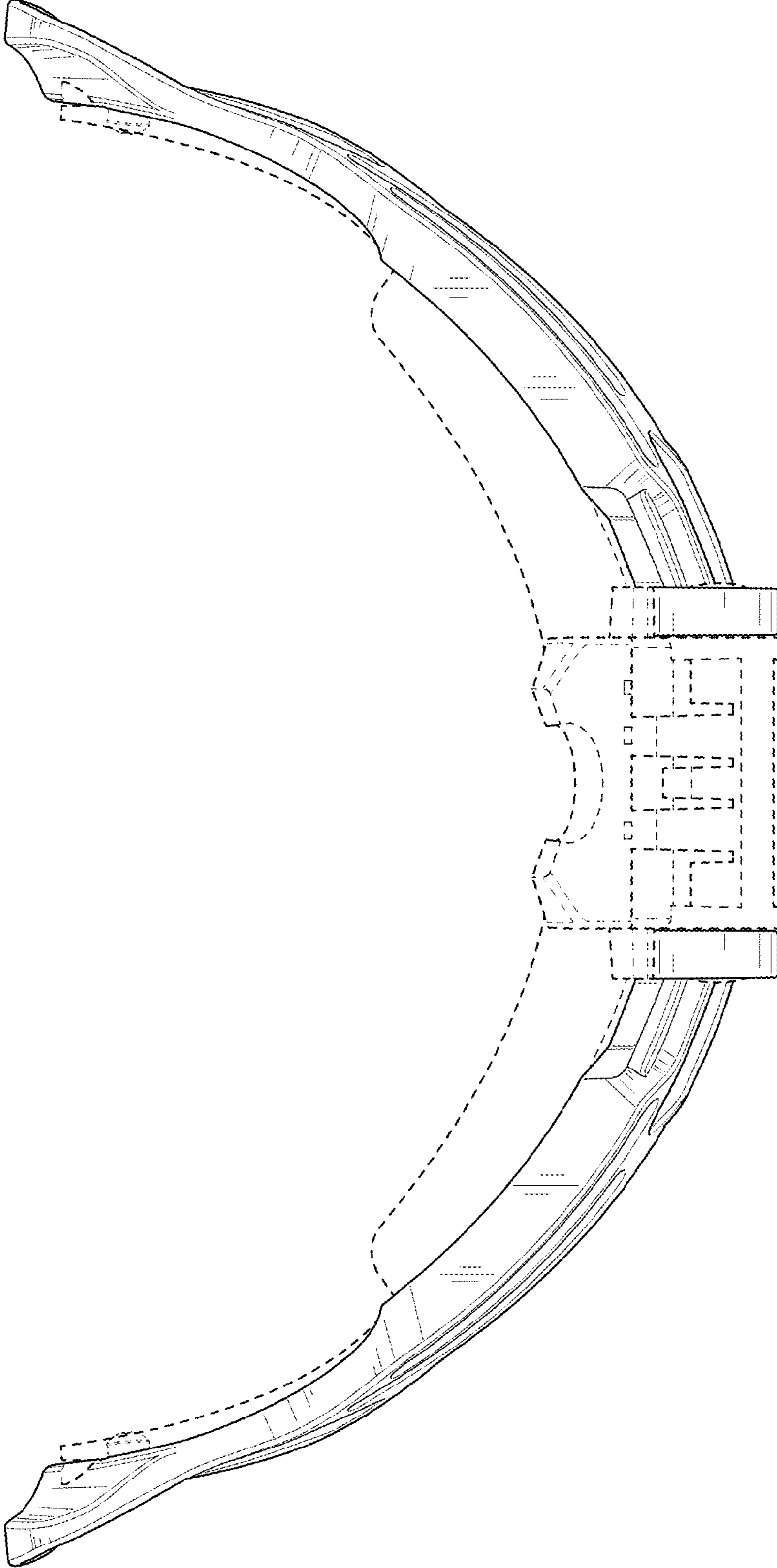


FIG. 6

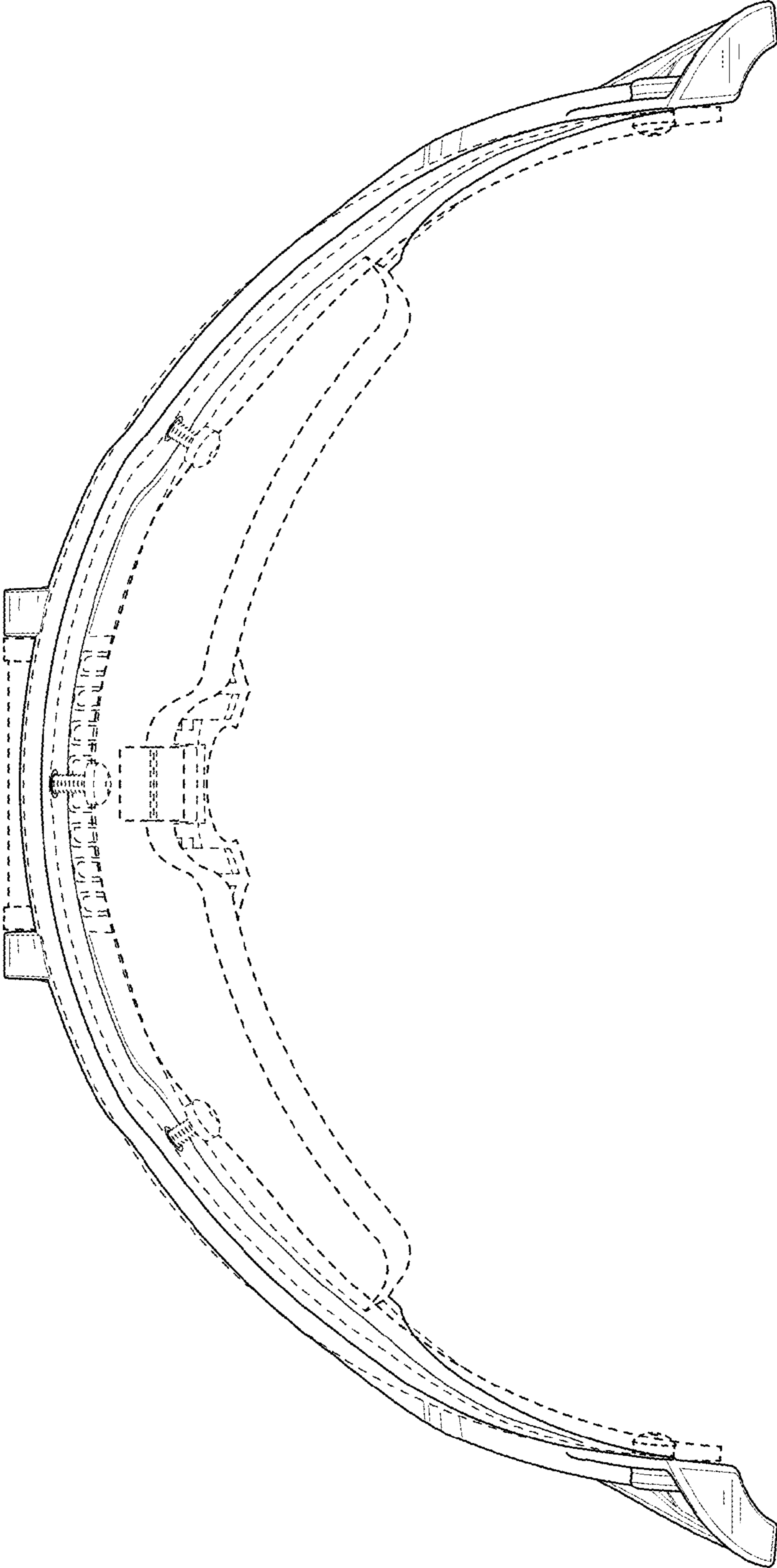


FIG. 7