

US00D767211S

(12) **United States Design Patent** (10) **Patent No.:** **US D767,211 S**
Lamson (45) **Date of Patent:** **** Sep. 20, 2016**

(54) **FOOTBALL HELMET FACEMASK**
(71) Applicant: **Kyle Lamson**, Chelmsford, MA (US)
(72) Inventor: **Kyle Lamson**, Chelmsford, MA (US)
(73) Assignee: **XENITH, LLC**, Lowell, MA (US)
(**) Term: **14 Years**
(21) Appl. No.: **29/521,332**
(22) Filed: **Mar. 23, 2015**
(51) **LOC (10) Cl.** **29-02**
(52) **U.S. Cl.**
USPC **D29/111**
(58) **Field of Classification Search**
USPC D29/100, 102-111, 122; D2/865, 866,
D2/878, 891, 892; 2/6.6, 6.7, 9, 10, 15,
2/171, 410-414, 417, 418, 421-425, 431,
2/452, 455, 909
CPC A42B 3/00; A42B 3/18; A42B 3/20;
A42B 3/32; A42B 3/324; A42B 3/322;
A42B 3/04
See application file for complete search history.

D358,686 S * 5/1995 Kraemer D29/108
5,477,565 A * 12/1995 Hunt, Jr. A42B 3/20
2/423
D381,127 S * 7/1997 Rothwell D29/111
5,661,849 A * 9/1997 Hicks A42B 3/20
2/424
5,799,337 A * 9/1998 Brown A42B 3/20
2/421
5,806,088 A * 9/1998 Zide A42B 3/20
2/424
D463,885 S * 10/2002 Burns D29/111
D508,298 S * 8/2005 Bernacchi D29/111
D706,490 S * 6/2014 Janisse D29/111
2007/0199136 A1* 8/2007 Brine A42B 3/324
2/410
2009/0044316 A1* 2/2009 Udelhofen A42B 3/20
2/424

* cited by examiner

Primary Examiner — Elizabeth J Oswecki
(74) *Attorney, Agent, or Firm* — Morgan, Lewis & Bockius
LLP

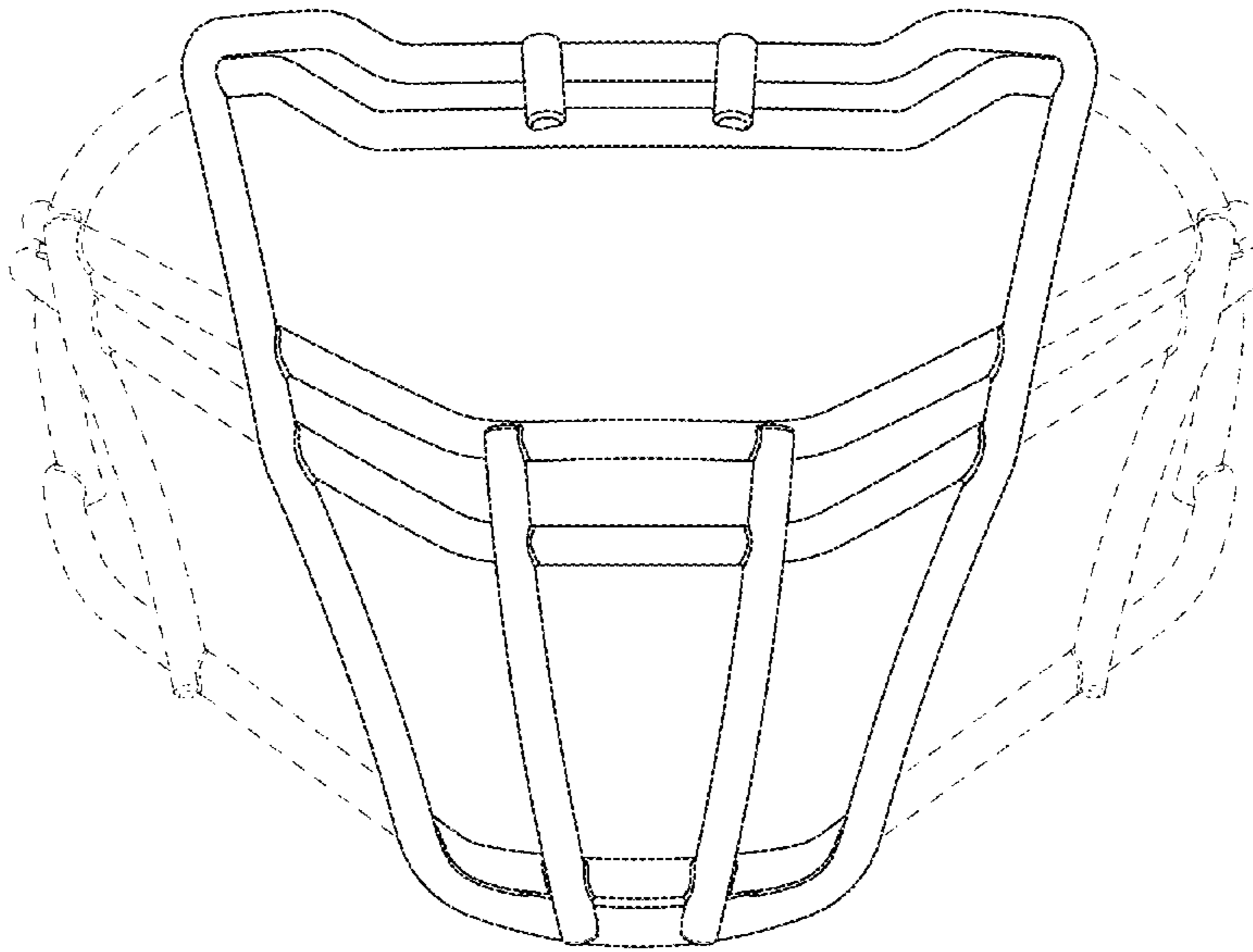
(57) **CLAIM**
The ornamental design for a football helmet facemask, as
shown and described.

DESCRIPTION

FIG. 1 is a top plan view of a football helmet facemask
showing my new design;
FIG. 2 is a left, front, perspective view thereof;
FIG. 3 is a front elevation view thereof; and,
FIG. 4 is a left side elevation view thereof, the right side
elevation view being a mirror image thereof.
The broken lines shown in the drawings represent portions
of the football helmet facemask that form no part of the
claimed design.
All surfaces which are not shown, other than the right side,
form no part of the claimed design.

1 Claim, 4 Drawing Sheets

(56) **References Cited**
U.S. PATENT DOCUMENTS
D190,715 S * 6/1961 McMillian D29/111
3,139,624 A * 7/1964 Delby A42B 3/20
2/9
D210,510 S * 3/1968 Burns D29/111
D235,702 S * 7/1975 Burns 2/9
D249,397 S * 9/1978 Humphrey D29/111
D289,568 S * 4/1987 Nimmons D29/111
D289,569 S * 4/1987 Nimmons D29/111
4,774,729 A * 10/1988 Coates A42B 3/20
2/424
D298,868 S * 12/1988 Klindt D29/111



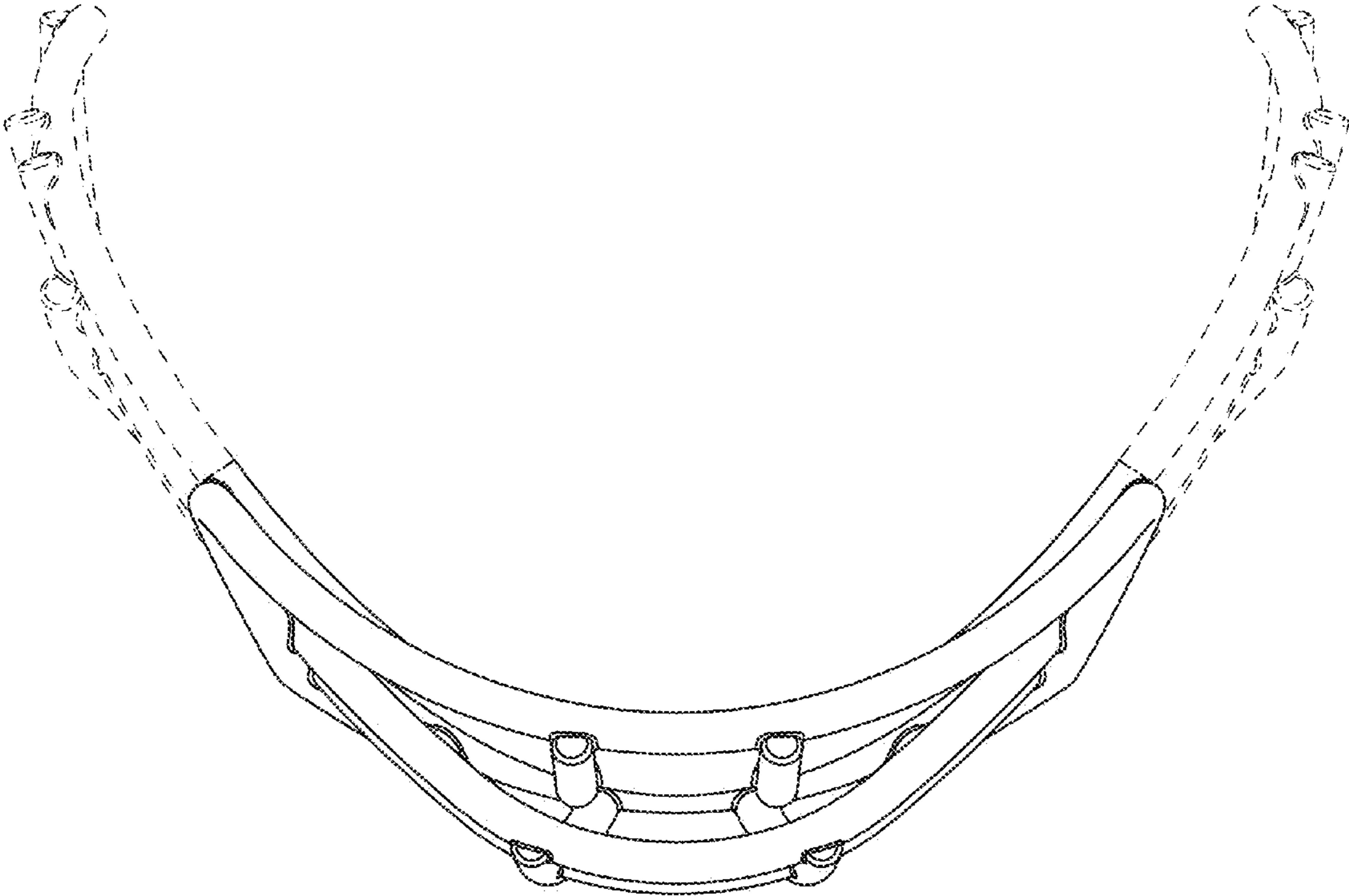


Fig. 1

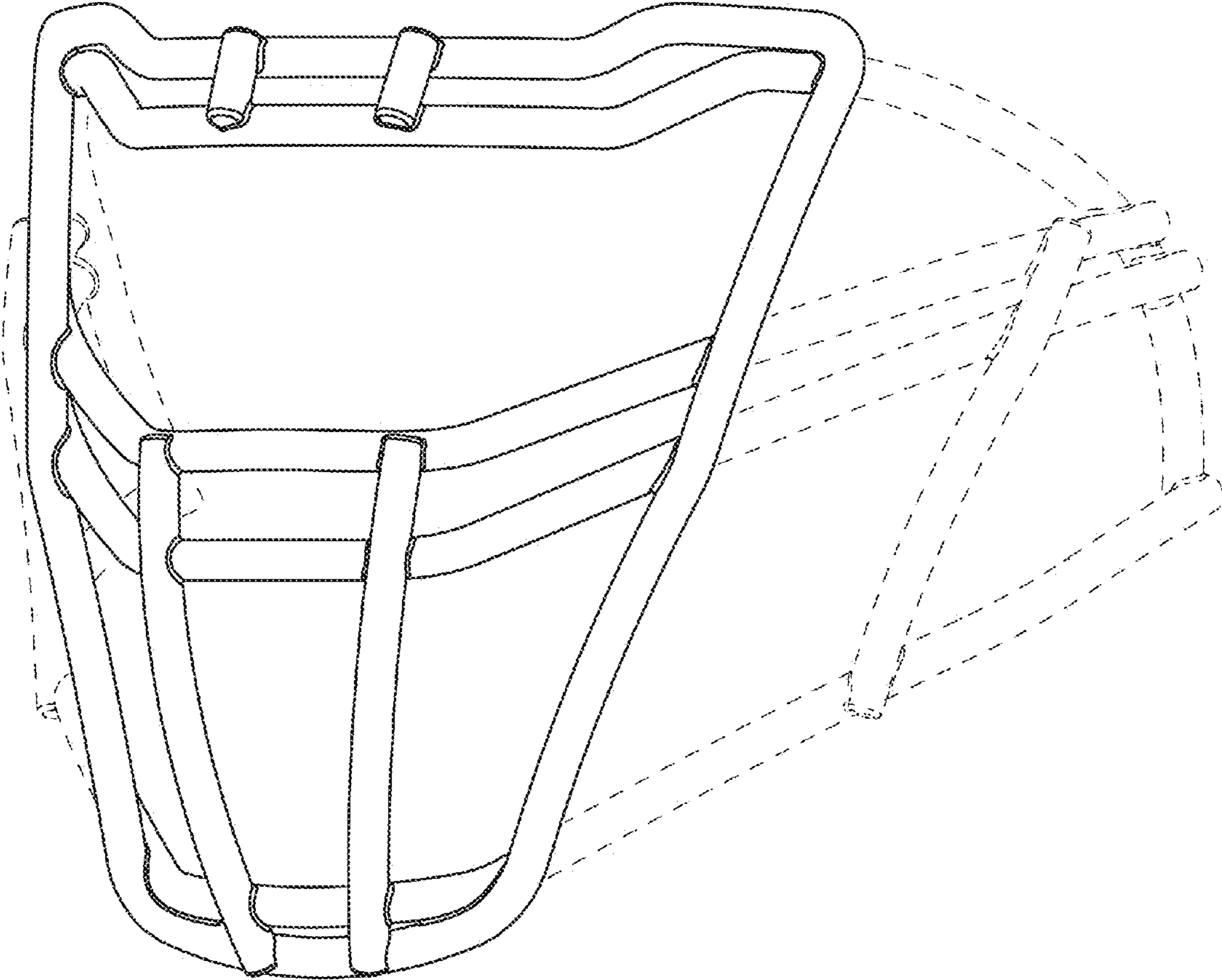


Fig. 2

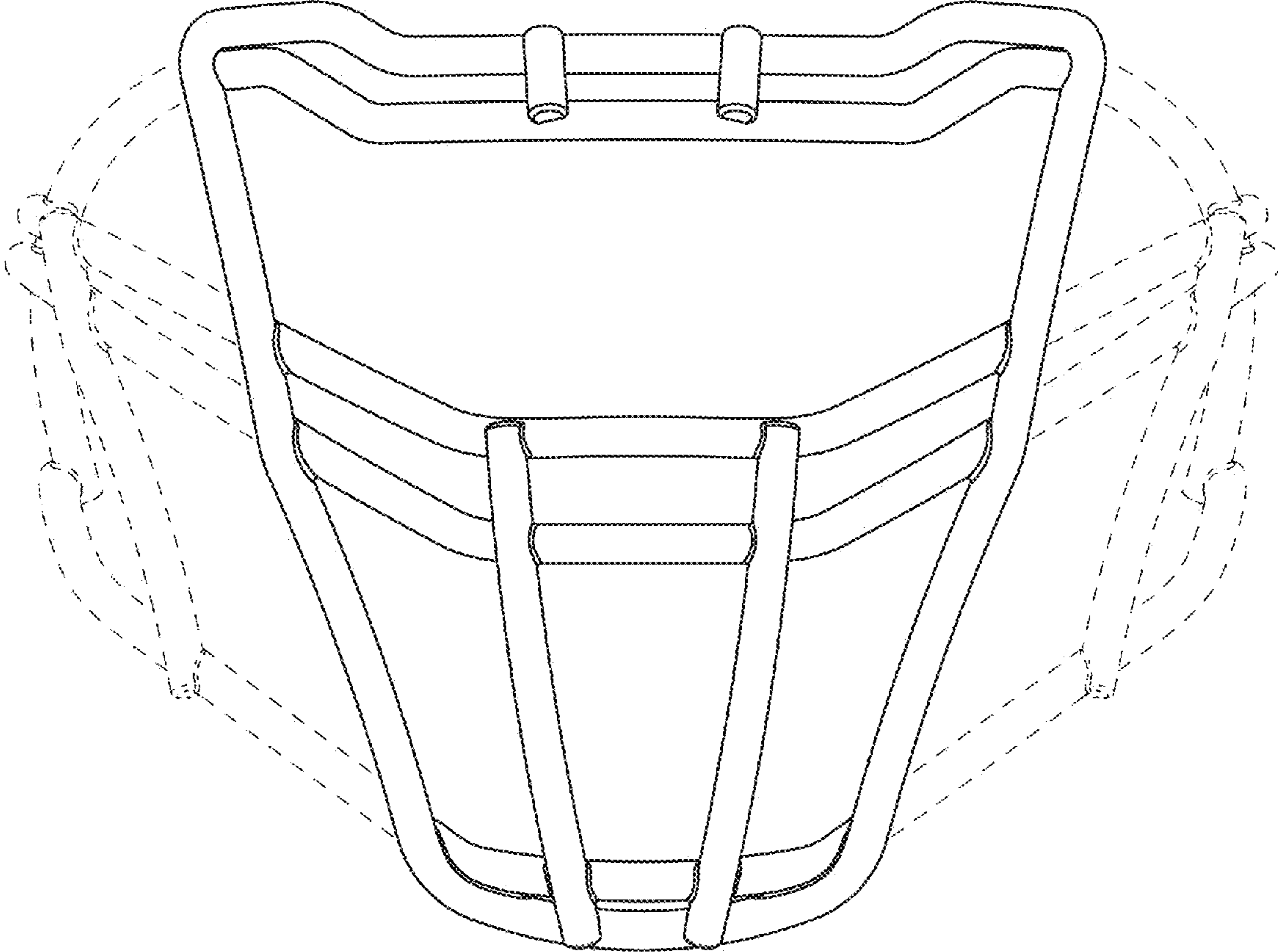


Fig. 3

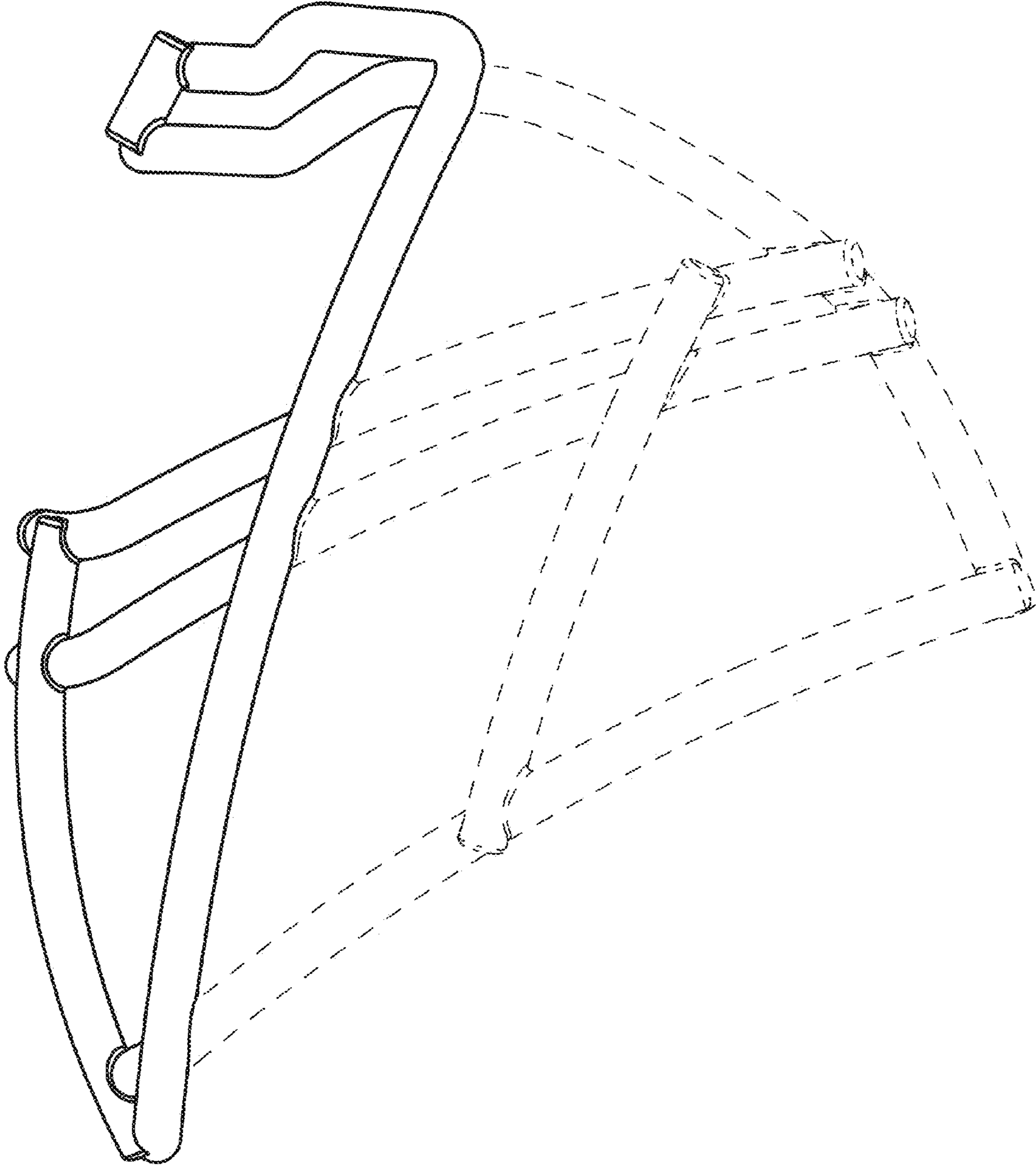


Fig. 4