

US00D767209S

(12) **United States Design Patent**  
**Medioni**

(10) **Patent No.:** **US D767,209 S**

(45) **Date of Patent:** **\*\* Sep. 20, 2016**

(54) **MASCARA CONTAINER**

(71) Applicant: **SEPHORA**, Boulogne Billancourt (FR)

(72) Inventor: **Stephanie Medioni**, Boulogne Billancourt (FR)

(73) Assignee: **SEPHORA**, Boulogne Billancourt (FR)

(\*\*) Term: **14 Years**

(21) Appl. No.: **29/520,275**

(22) Filed: **Mar. 12, 2015**

(30) **Foreign Application Priority Data**

Sep. 12, 2014 (EM) ..... 002536821-0001

(51) **LOC (10) Cl.** ..... **28-03**

(52) **U.S. Cl.**  
USPC ..... **D28/76**

(58) **Field of Classification Search**  
USPC ..... D28/76-77, 85-90; D9/529, 503-505,  
D9/551, 552, 556  
CPC ..... A45D 2040/0012; A45D 40/26;  
A45D 40/262; A45D 40/264; A45D 40/265;  
A45D 40/267; A45D 2200/00; A45D  
2200/05; A45D 2200/051; A45D 2200/052  
See application file for complete search history.

(56) **References Cited**

**U.S. PATENT DOCUMENTS**

D160,407 S \* 10/1950 McIntosh ..... D9/529  
D616,151 S \* 5/2010 Kojima ..... D28/76

D735,946 S \* 8/2015 Ko ..... D28/76  
2005/0019084 A1\* 1/2005 Gueret ..... A45D 34/06  
401/25  
2010/0181224 A1\* 7/2010 Kuo ..... A45D 33/18  
206/525  
2010/0209174 A1\* 8/2010 Rauschert ..... A45D 40/24  
401/126

\* cited by examiner

*Primary Examiner* — Jennifer Rivard

(74) *Attorney, Agent, or Firm* — King & Spalding LLP

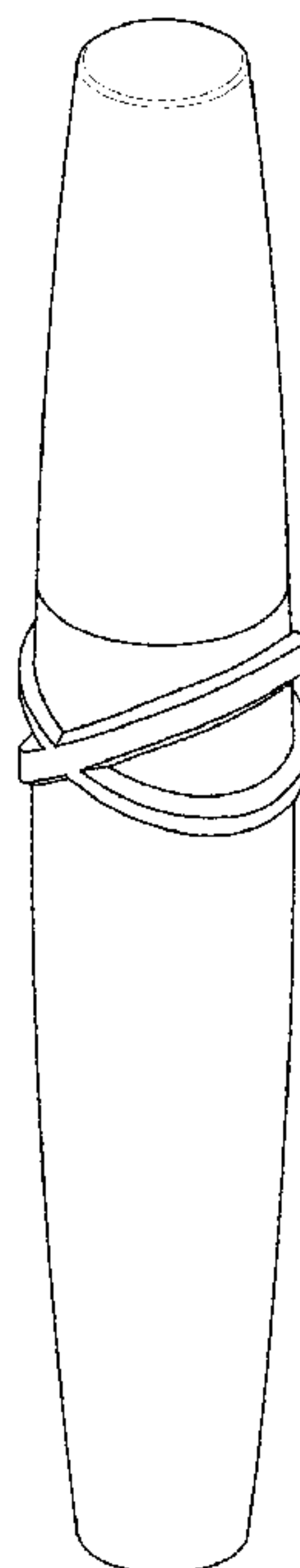
(57) **CLAIM**

The ornamental design for a mascara container, as shown and described.

**DESCRIPTION**

FIG. 1 is a side elevation view of a mascara container, showing my new design;  
FIG. 2 is a perspective view thereof;  
FIG. 3 is a front elevation view thereof;  
FIG. 4 is a back elevation view thereof;  
FIG. 5 is a left side elevation view thereof;  
FIG. 6 is a right side elevation view thereof; and,  
FIG. 7 is a top plan view thereof.

**1 Claim, 7 Drawing Sheets**



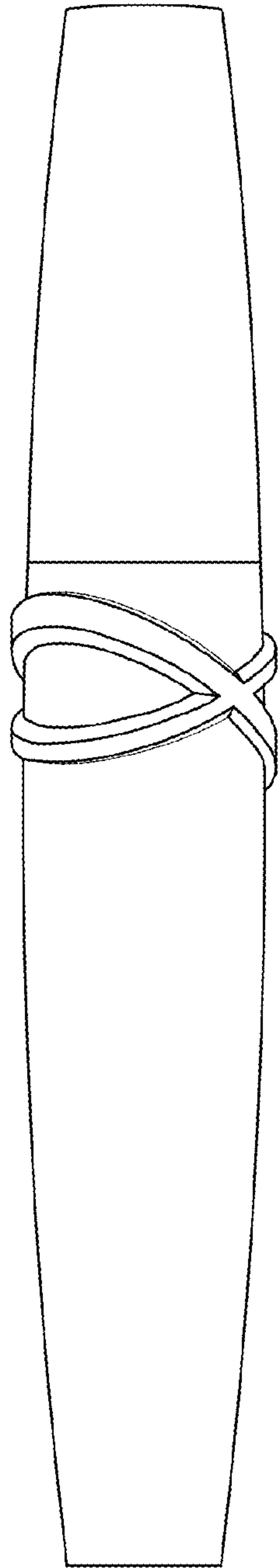


FIGURE 1

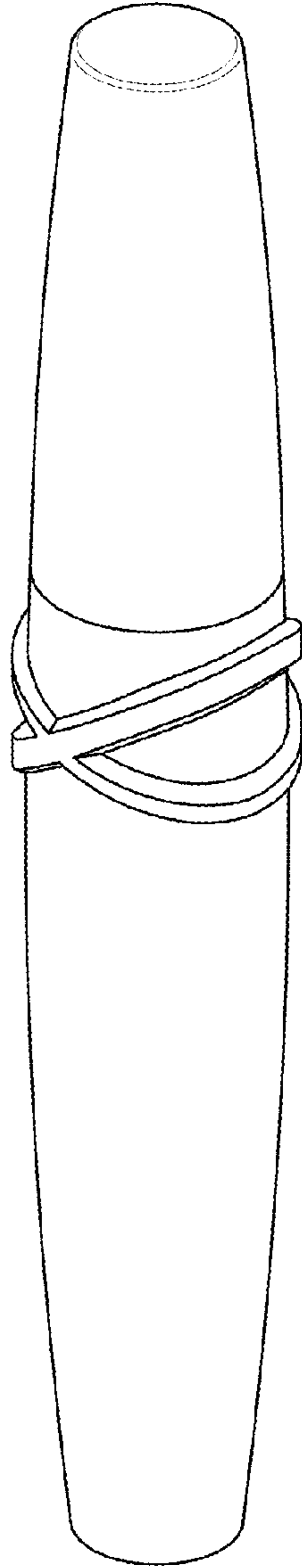


FIGURE 2

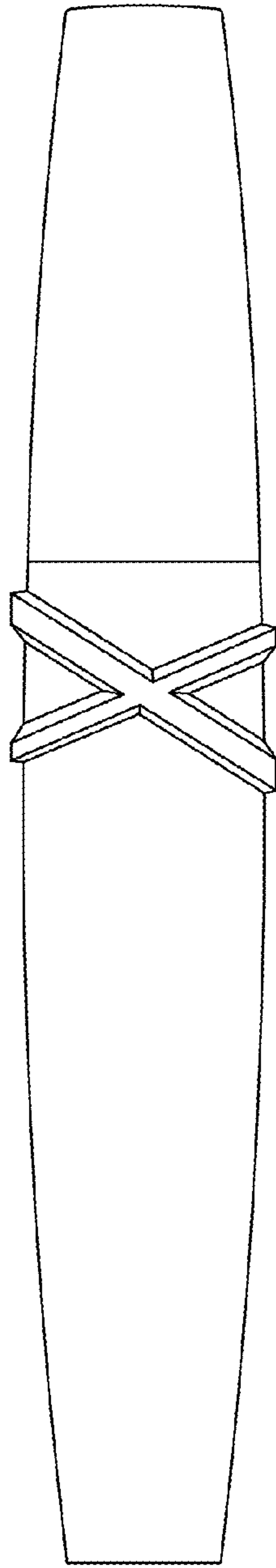


FIGURE 3

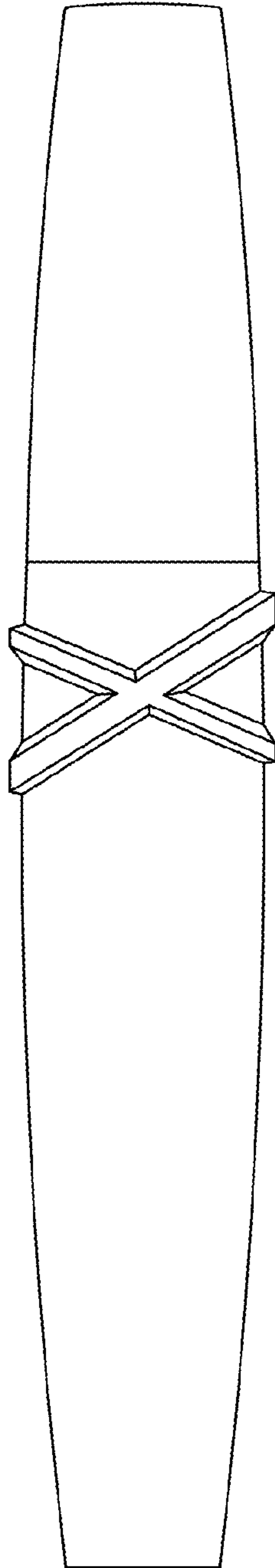


FIGURE 4

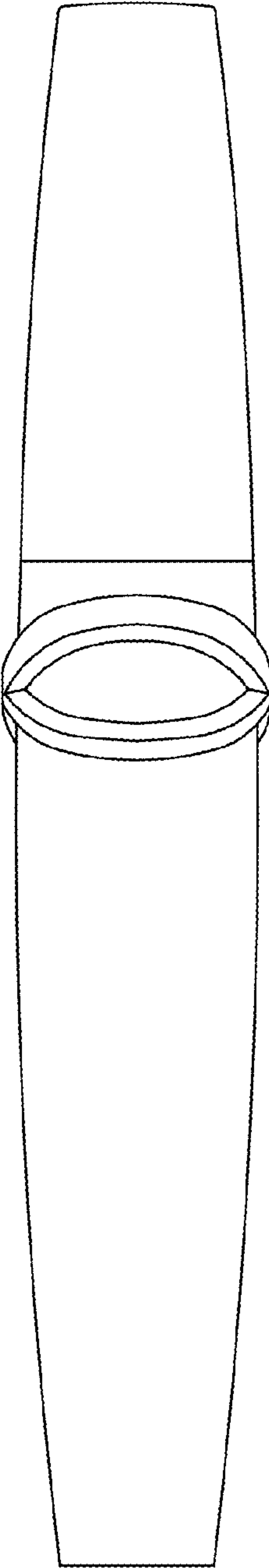


FIGURE 5

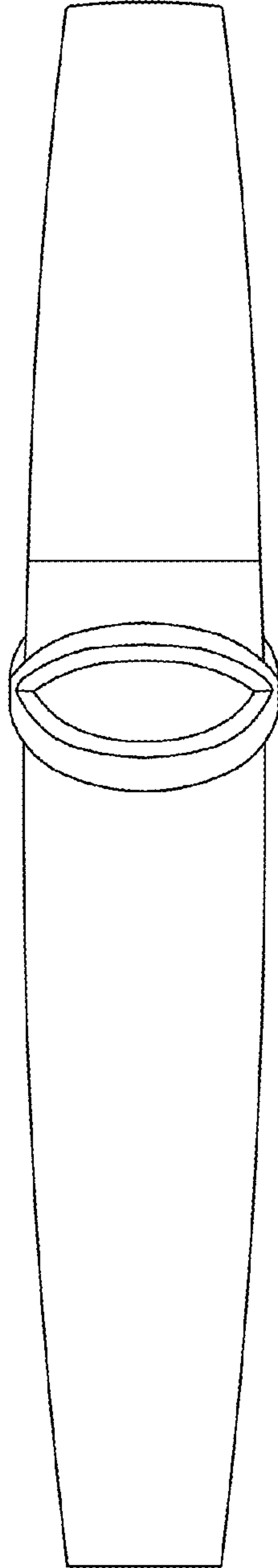


FIGURE 6

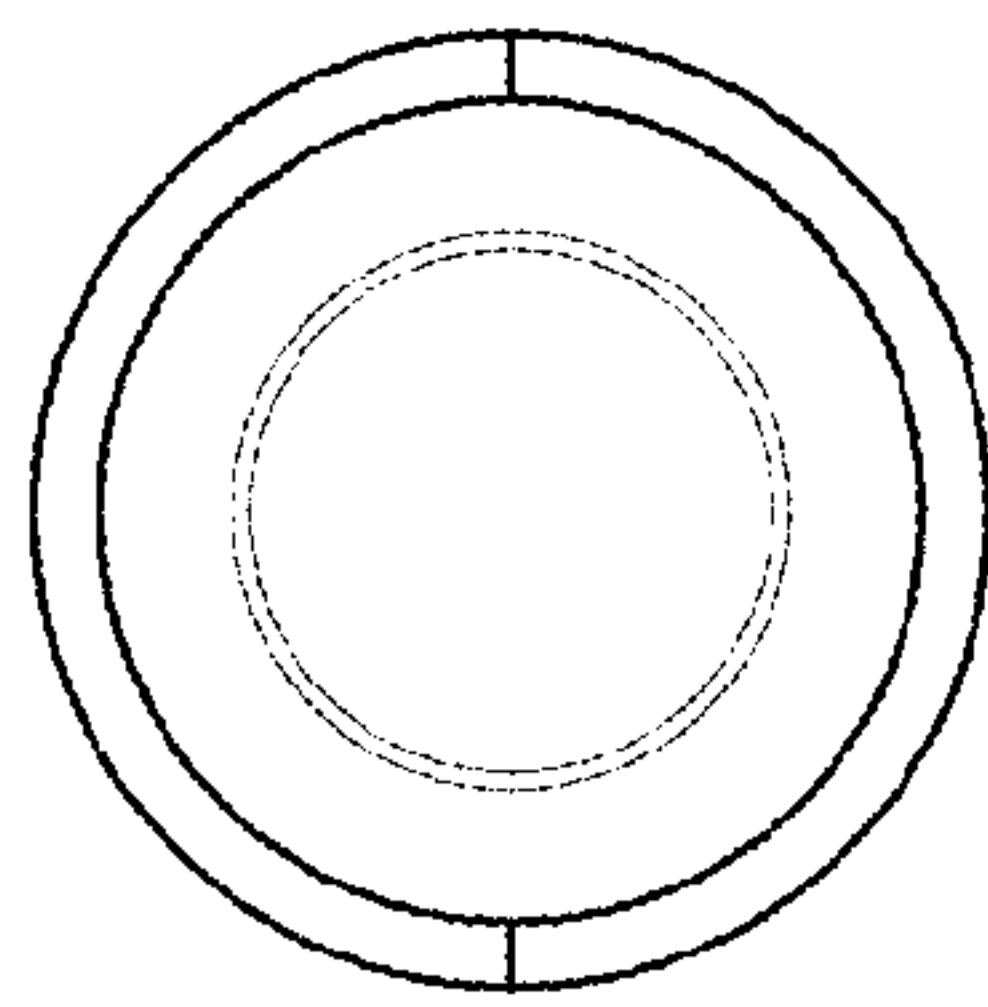


FIGURE 7