



US00D767205S

(12) **United States Design Patent** (10) **Patent No.:** **US D767,205 S**
Climer et al. (45) **Date of Patent:** **** Sep. 20, 2016**

(54) **HAIR STYLING IRON**

(56) **References Cited**

(71) Applicants: **Kirsten Climer**, Brooklyn, NY (US);
Joseph Michael Zeledon, Brooklyn,
NY (US); **Heidi Serene Farrell**,
Brooklyn, NY (US); **Ayca Cakmakli**,
Brooklyn, NY (US); **Anthony Angelo**
Di Botonto, Brooklyn, NY (US)

U.S. PATENT DOCUMENTS

5,119,847	A *	6/1992	Powell	A45D 2/00 132/210
D727,568	S *	4/2015	Francois	D28/10
D736,998	S *	8/2015	Koehler	D28/35
2005/0051188	A1 *	3/2005	Leung	A45D 1/04 132/224
2007/0175881	A1 *	8/2007	Yeung	A45D 1/10 219/222
2010/0089413	A1 *	4/2010	Wright	A45D 2/001 132/211
2010/0224206	A1 *	9/2010	Serresvives	A45D 1/04 132/212
2014/0216493	A1 *	8/2014	Hadden	A45D 20/50 132/223

(72) Inventors: **Kirsten Climer**, Brooklyn, NY (US);
Joseph Michael Zeledon, Brooklyn,
NY (US); **Heidi Serene Farrell**,
Brooklyn, NY (US); **Ayca Cakmakli**,
Brooklyn, NY (US); **Anthony Angelo**
Di Botonto, Brooklyn, NY (US)

(73) Assignee: **HELEN OF TROY LIMITED**, St.
Michael (BB)

* cited by examiner

Primary Examiner — Jennifer Rivard

(**) Term: **15 Years**

(57) **CLAIM**

(21) Appl. No.: **29/541,471**

The ornamental design for a hair styling iron, as shown, and described.

(22) Filed: **Oct. 4, 2015**

DESCRIPTION

(51) **LOC (10) Cl.** **28-03**

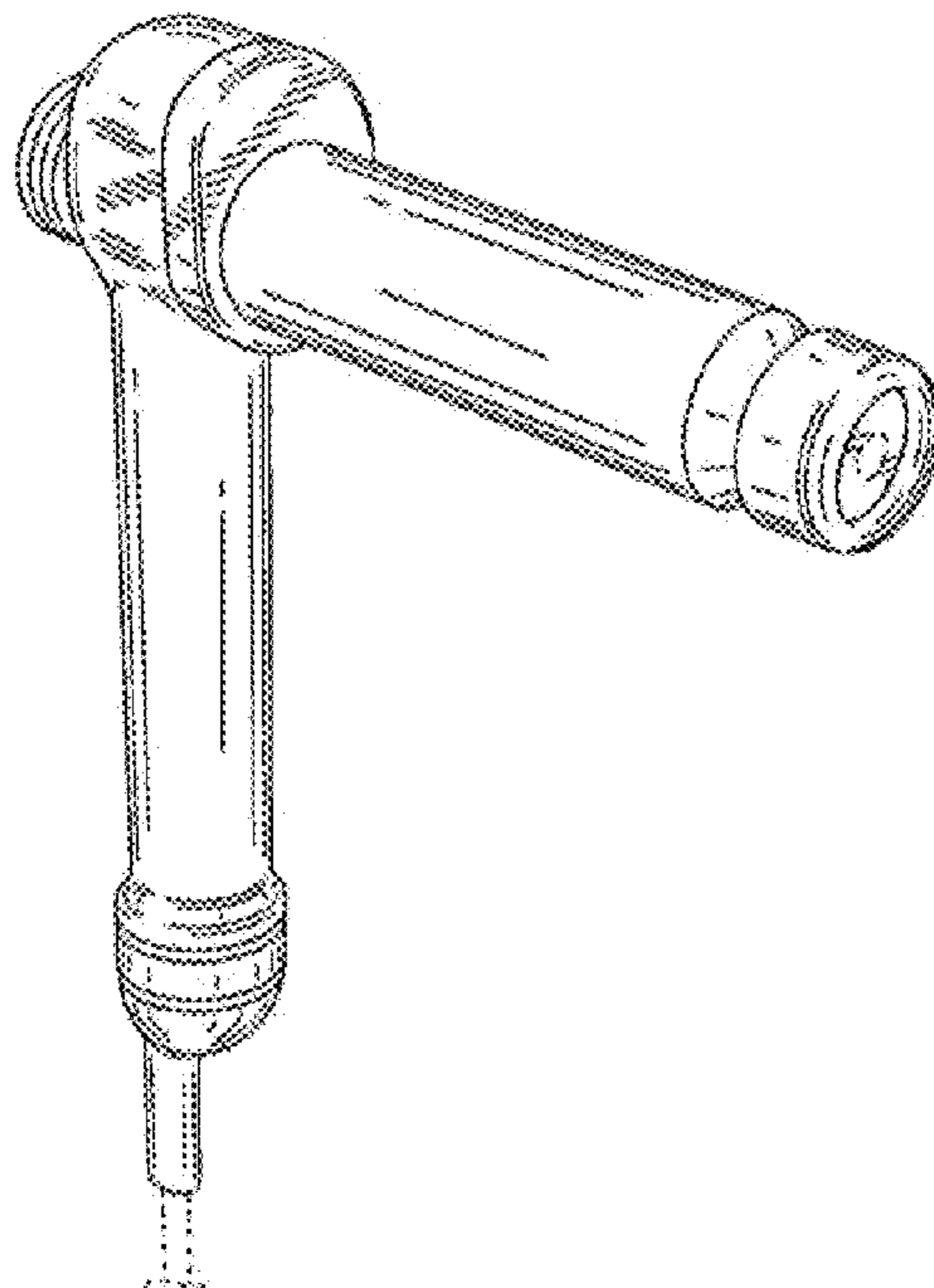
(52) **U.S. Cl.**
USPC **D28/35**

(58) **Field of Classification Search**
USPC D28/35, 10
CPC A45D 1/00–1/28; A45D 2/00; A45D 2/001;
A45D 2/002; A45D 2/02; A45D 2/04;
A45D 2/06; A45D 2/08; A45D 2/10; A45D
2/12–2/22; A45D 2/24–2/34; A45D
2/36–2/367; A45D 2/38–2/44

FIG. 1 is a perspective view of the hair styling iron;
FIG. 2 is a top view of the hair styling iron;
FIG. 3 is a bottom view of the hair styling iron;
FIG. 4 is a side view of the hair styling iron;
FIG. 5 is a rear view of the hair styling iron; and,
FIG. 6 is a front side view of the hair styling iron.
The broken lines shown in the drawings illustrate portions of
the hair styling iron and form no part of the claimed design.

See application file for complete search history.

1 Claim, 6 Drawing Sheets



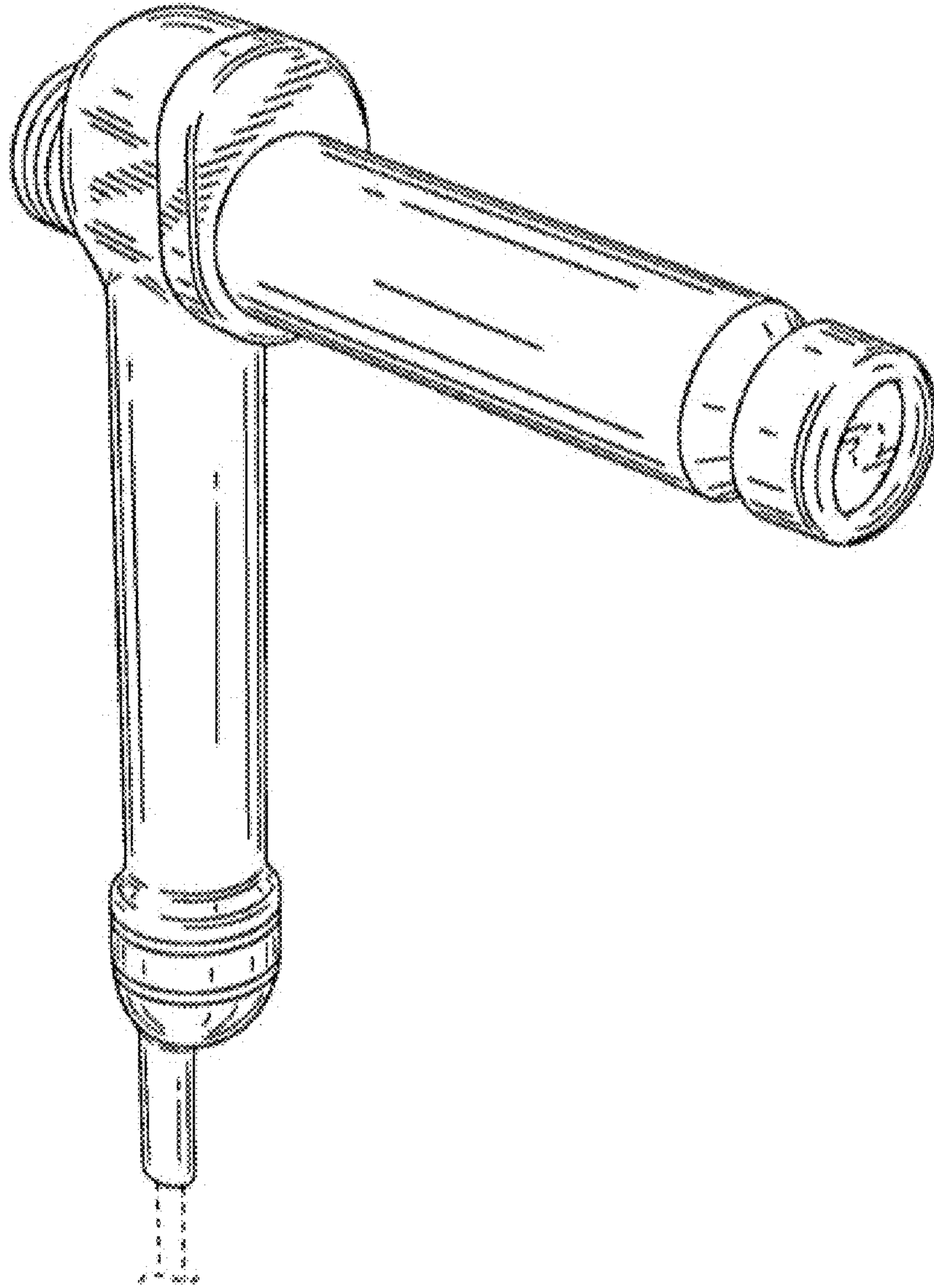


Figure 1

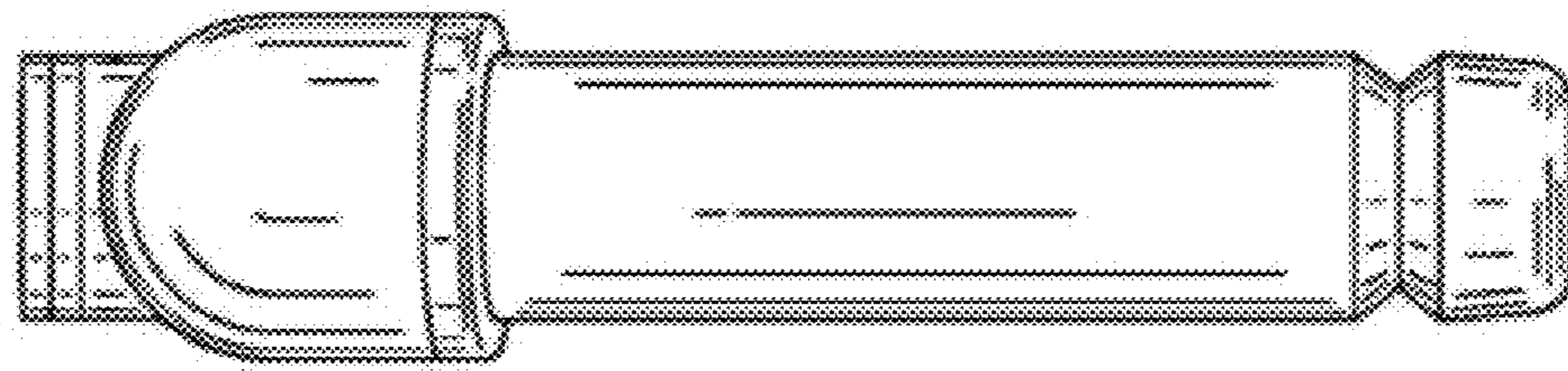


Figure 2

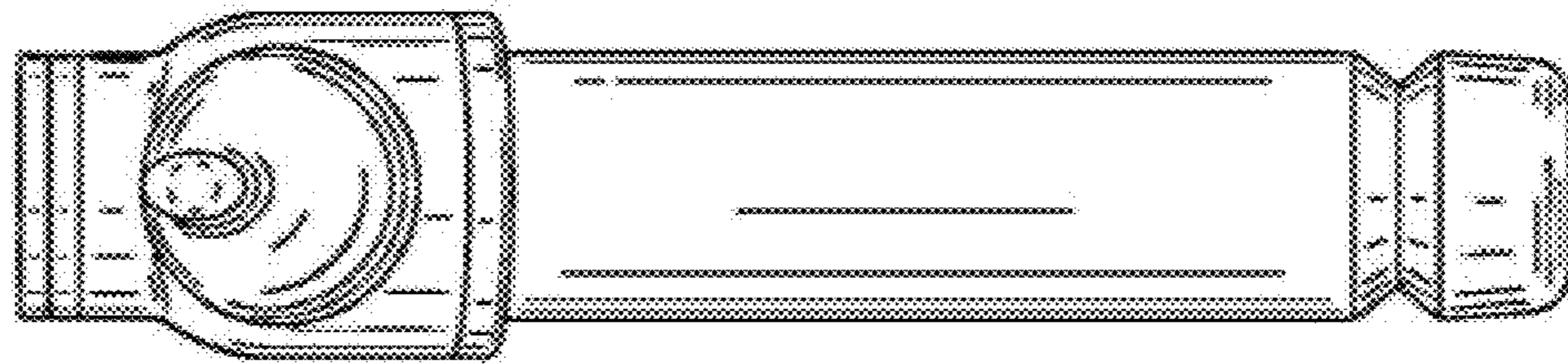


Figure 3

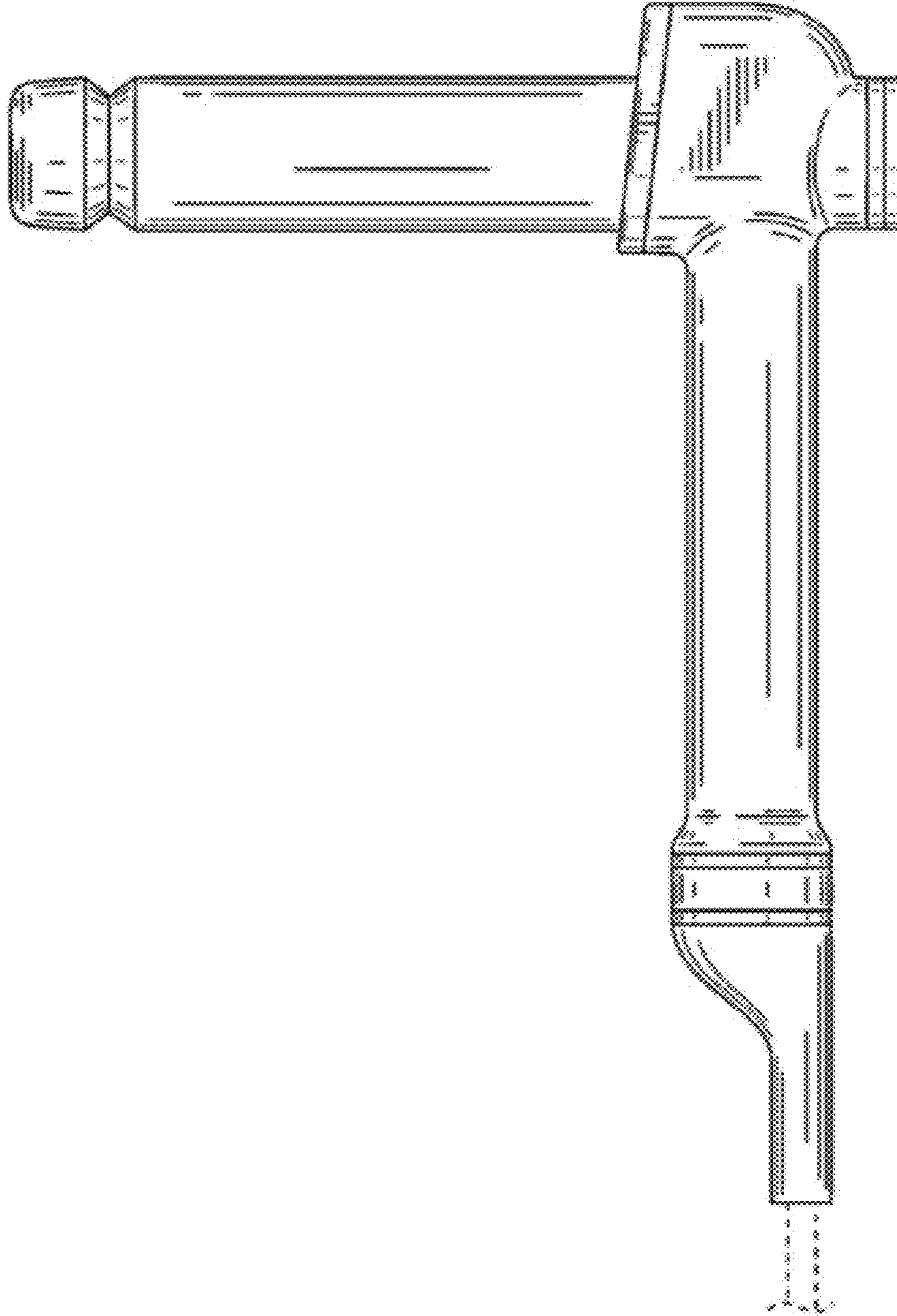


Figure 4

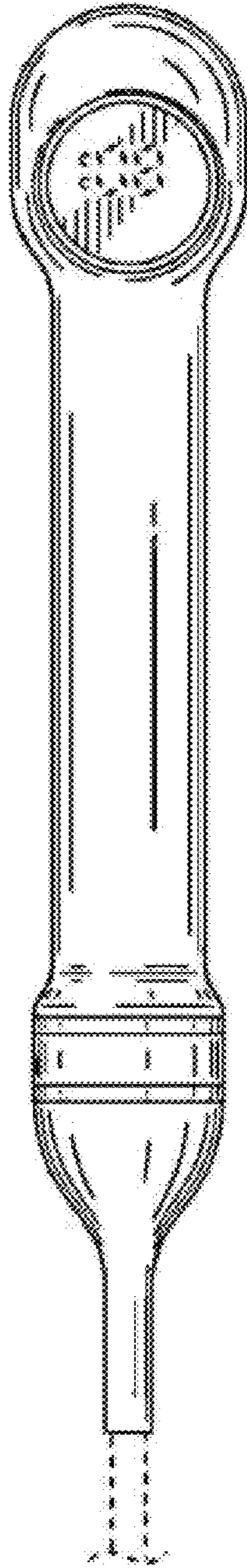


Figure 5

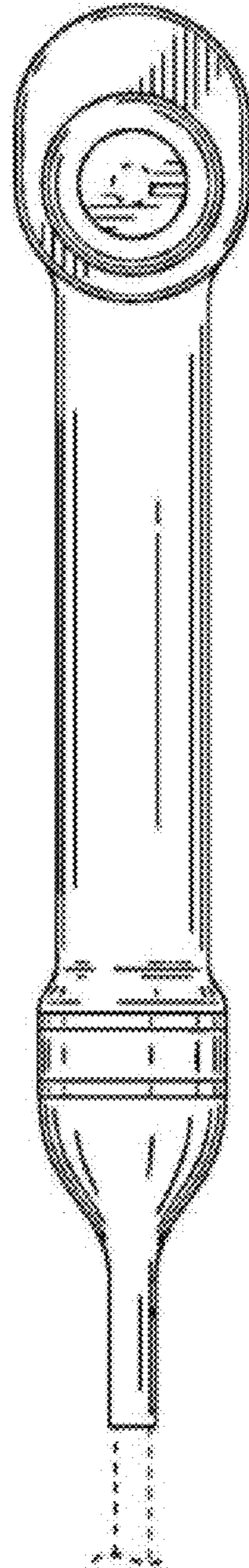


Figure 6