



US00D767203S

(12) **United States Design Patent**  
**Gonzalez et al.**

(10) **Patent No.:** **US D767,203 S**

(45) **Date of Patent:** **\*\* Sep. 20, 2016**

(54) **STYLING IRON**

(71) Applicants: **Adrian Gonzalez**, El Paso, TX (US);  
**Gary Koenemann**, El Paso, TX (US)

(72) Inventors: **Adrian Gonzalez**, El Paso, TX (US);  
**Gary Koenemann**, El Paso, TX (US)

(73) Assignee: **HELEN OF TROY LIMITED**, St.  
Michael (BB)

(\*\*) Term: **15 Years**

(21) Appl. No.: **29/537,905**

(22) Filed: **Aug. 30, 2015**

(51) **LOC (10) Cl.** ..... **28-03**

(52) **U.S. Cl.**  
USPC ..... **D28/35**

(58) **Field of Classification Search**  
USPC ..... D28/35, 10  
CPC ..... A45D 1/00-1/028; A45D 2/00; A45D  
2/001; A45D 2/002; A45D 2/02; A45D 2/04;  
A45D 2/06; A45D 2/08; A45D 2/10; A45D  
2/12-2/22; A45D 2/24-2/34; A45D  
2/36-2/367; A45D 2/38-2/44  
See application file for complete search history.

(56) **References Cited**

**U.S. PATENT DOCUMENTS**

D306,358 S \* 2/1990 Rizzuto ..... D28/35  
D672,498 S \* 12/2012 Kim ..... D28/35

D727,569 S \* 4/2015 Leonard ..... D28/35  
2005/0236010 A1 \* 10/2005 Ploix ..... A45D 2/06  
132/226  
2011/0061672 A1 \* 3/2011 Schmider ..... A45D 1/12  
132/226  
2011/0192417 A1 \* 8/2011 Catini ..... A45D 1/12  
132/229  
2014/0034079 A1 \* 2/2014 McCauley ..... A45D 1/04  
132/229  
2014/0076351 A1 \* 3/2014 Debenedictis ..... A45D 2/00  
132/223  
2014/0216493 A1 \* 8/2014 Hadden ..... A45D 20/50  
132/223  
2015/0305467 A1 \* 10/2015 Morris ..... A45D 2/125  
132/227

\* cited by examiner

*Primary Examiner* — Jennifer Rivard

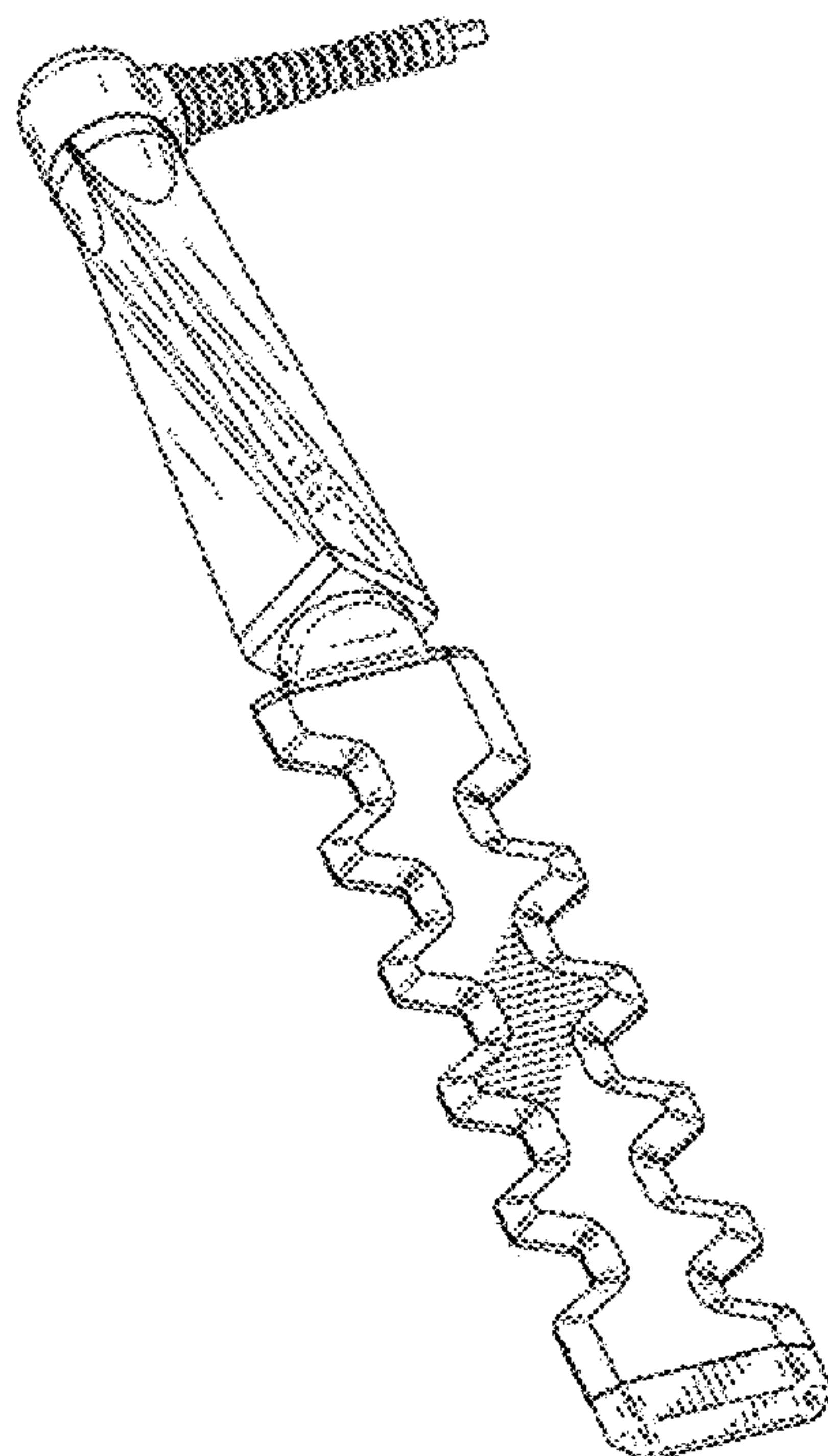
(57) **CLAIM**

We claim the ornamental design for a styling iron, as shown and described.

**DESCRIPTION**

FIG. 1 is a perspective view of the styling iron;  
FIG. 2 is a right view of the styling iron;  
FIG. 3 is a left view of the styling iron;  
FIG. 4 is a top view of the styling iron;  
FIG. 5 is a bottom view of the styling iron;  
FIG. 6 is a front view of the styling iron; and,  
FIG. 7 is a rear view of the styling iron.  
The broken lines illustrate portions of the styling iron and form no part of the claimed design.

**1 Claim, 7 Drawing Sheets**



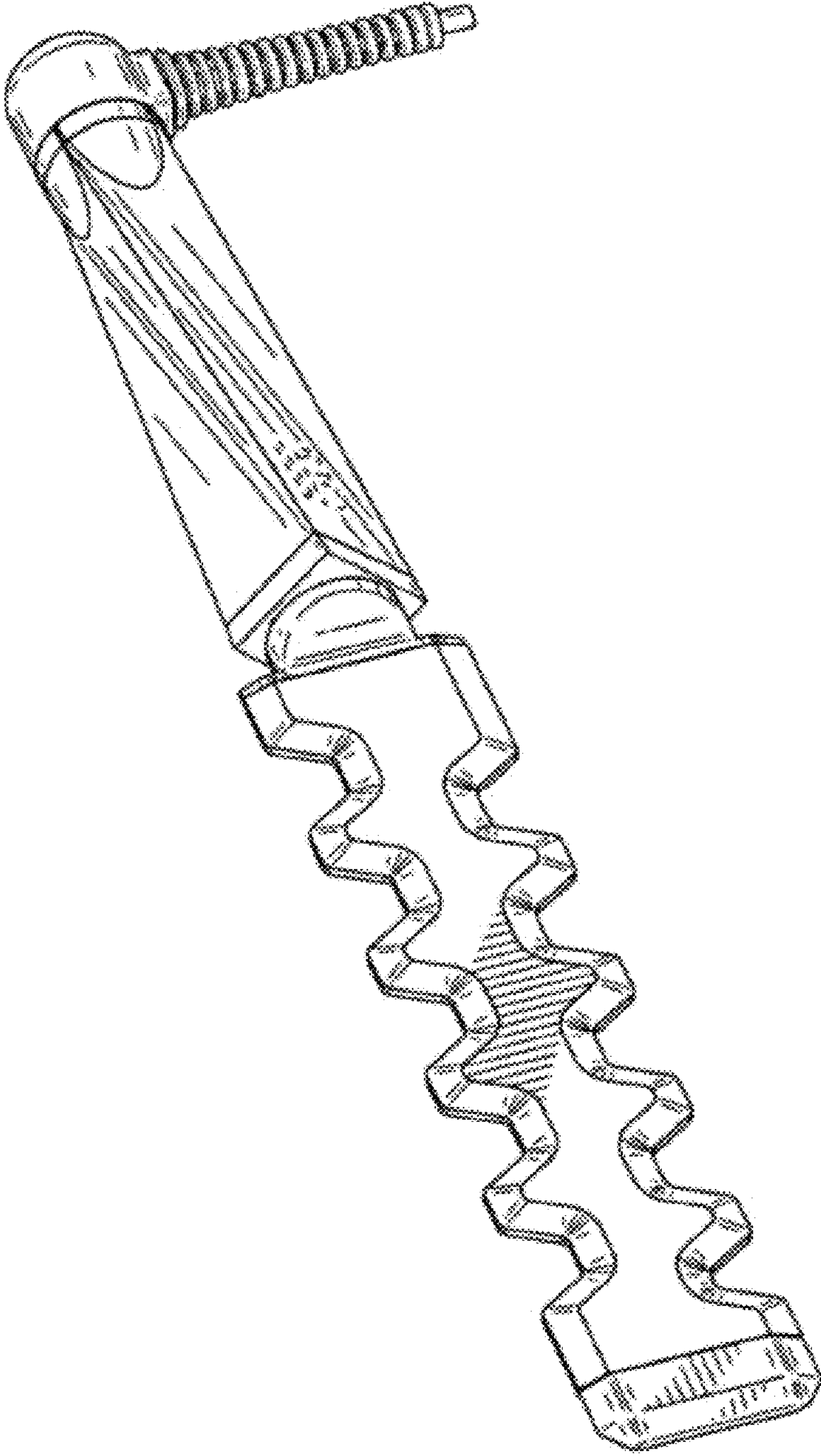


Figure 1

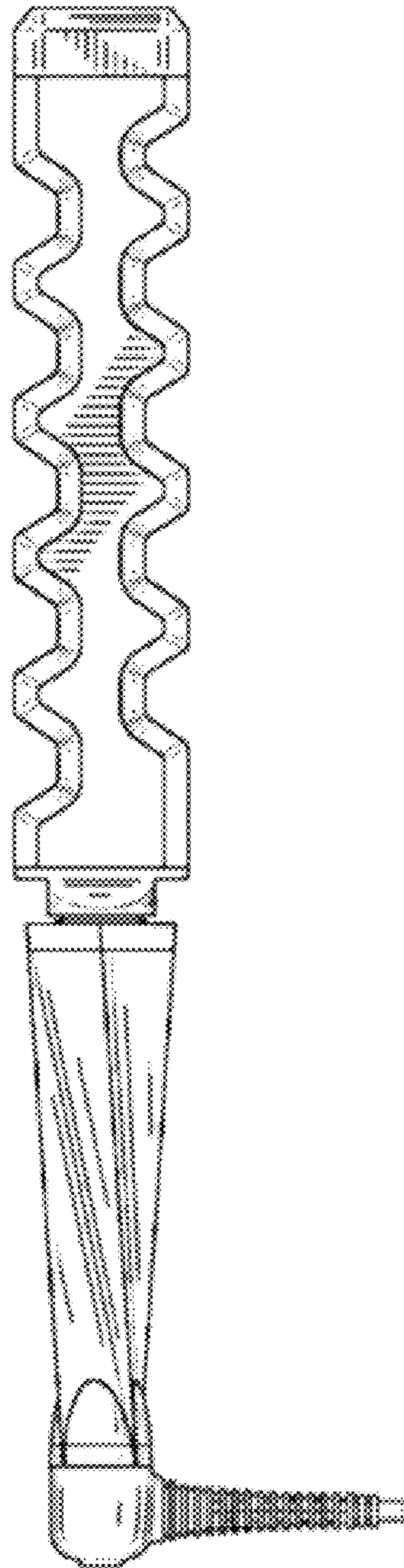


Figure 2

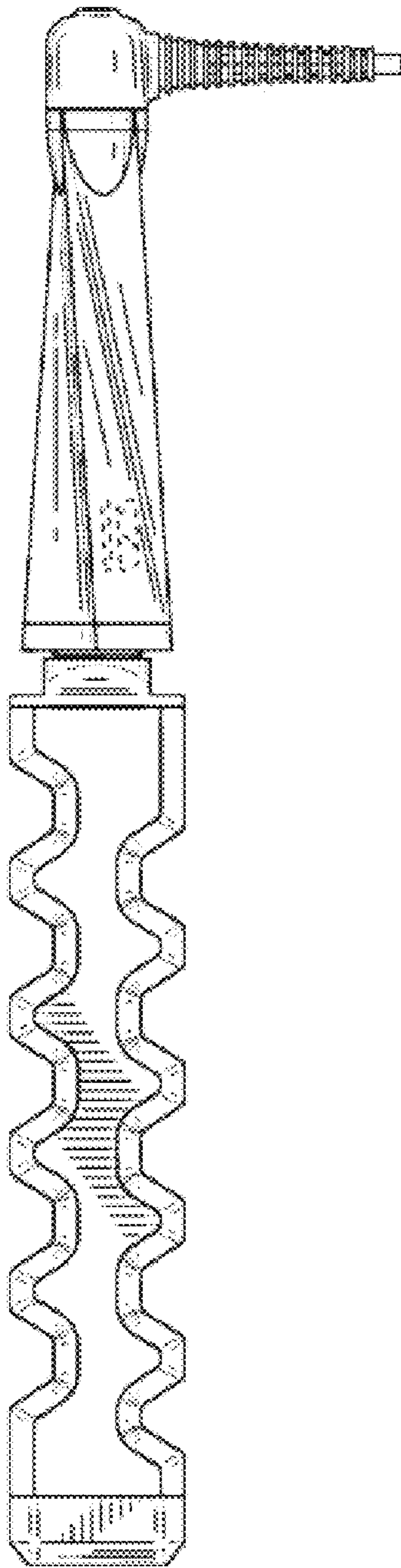


Figure 3



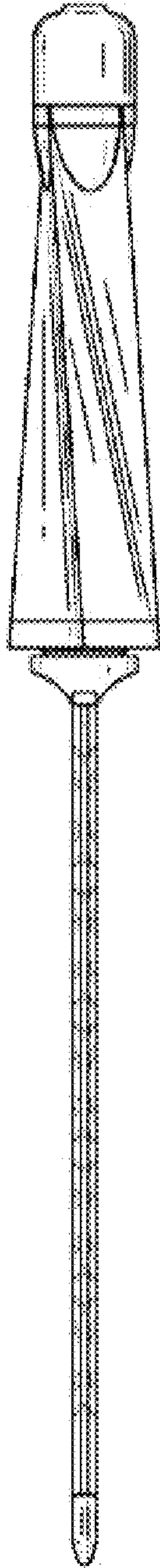


Figure 4

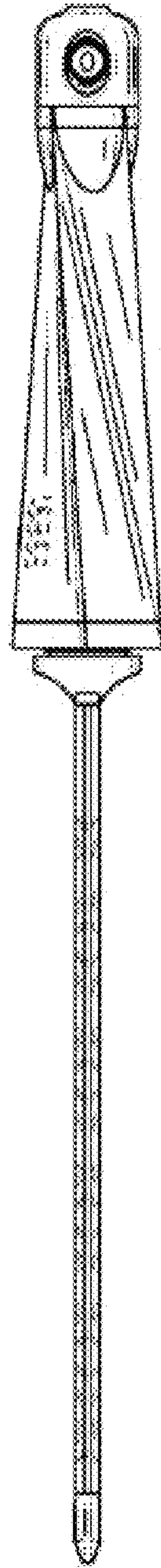


Figure 5

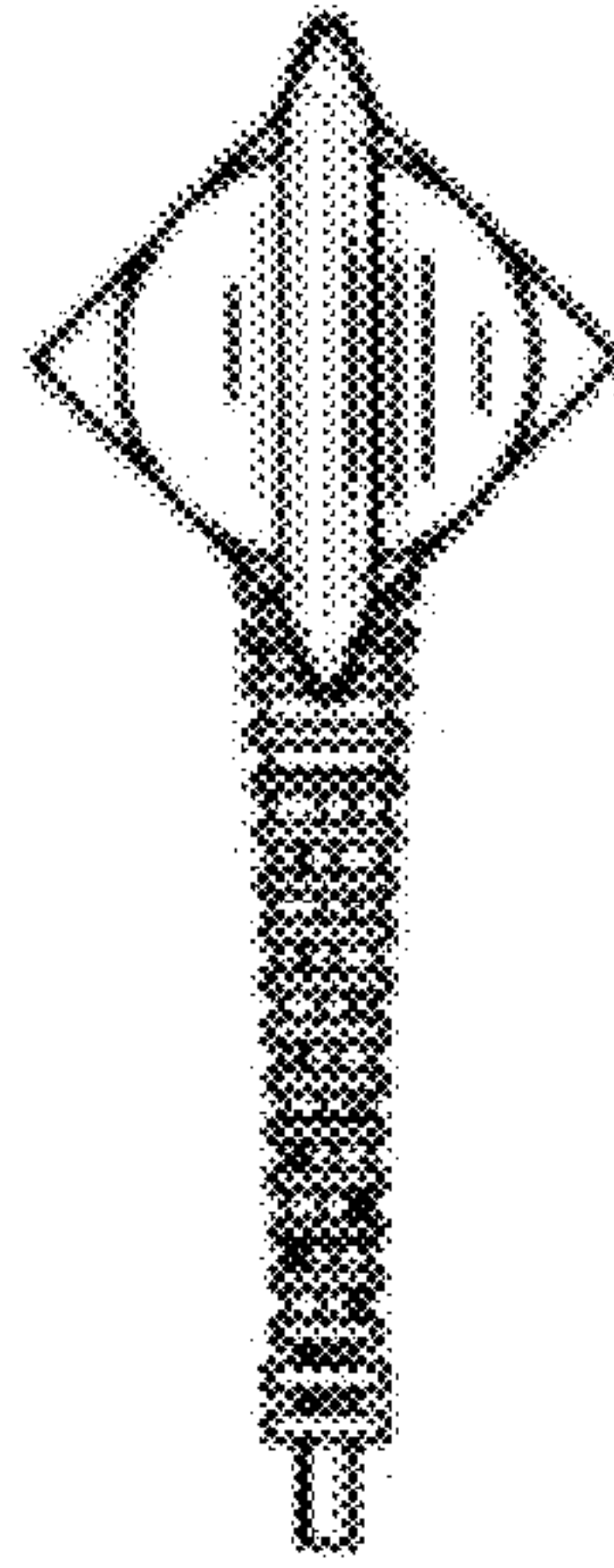


Figure 6

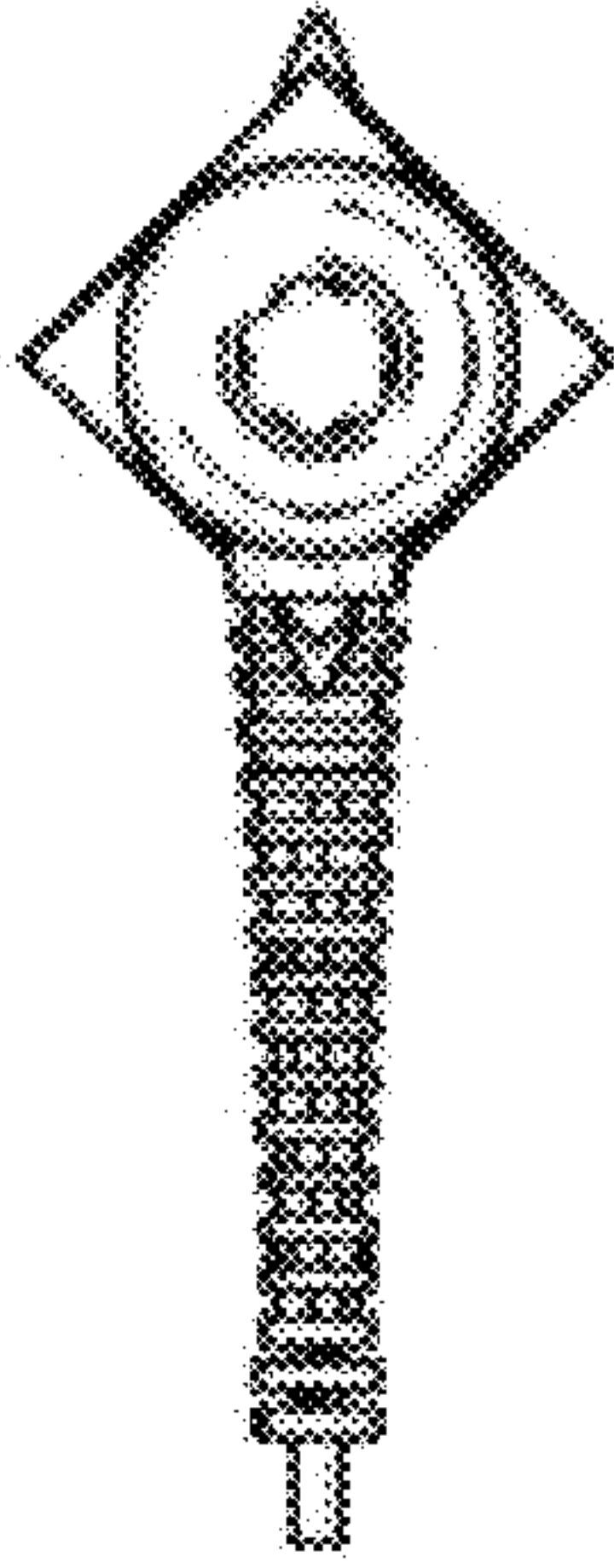


Figure 7