

US00D767199S

(12) **United States Design Patent** (10) **Patent No.:** **US D767,199 S**
Wronski et al. (45) **Date of Patent:** **** Sep. 20, 2016**

(54) **PAIR OF HANGER BAR MOUNTING HEADS**

(71) Applicants: **Grzegorz Wronski**, Peachtree City, GA (US); **Rongxiu Huang**, Shanghai (CN)

(72) Inventors: **Grzegorz Wronski**, Peachtree City, GA (US); **Rongxiu Huang**, Shanghai (CN)

(73) Assignee: **Cooper Technologies Company**, Houston, TX (US)

(**) Term: **15 Years**

(21) Appl. No.: **29/529,366**

(22) Filed: **Jun. 5, 2015**

(51) **LOC (10) Cl.** **26-99**

(52) **U.S. Cl.**
USPC **D26/142**

(58) **Field of Classification Search**

USPC D8/16, 19, 375, 374, 381, 382, 380, D8/318, 373, 377, 363, 364, 358, 384, 376, D8/385, 336, 388, 389, 355, 394, 356, D8/396; D3/205; D6/525, 535, 546, 705.6, D6/514, 553, 556, 565, 566, 558, 675.2, D6/675.5, 677.2, 677.5, 680.3
 CPC A47K 1/09; A47K 2201/02; A47K 10/04; A47K 17/00; A47K 2010/3253; A47K 10/10; A47K 5/00; A47H 1/102; Y10S 242/90; Y10T 225/232; Y10T 225/247; Y10T 24/1696

See application file for complete search history.

(56) **References Cited**

U.S. PATENT DOCUMENTS

D42,640 S *	6/1912	McKenna	D8/363
D272,414 S *	1/1984	Barnes	D8/363
5,505,419 A	4/1996	Gabrius		
D398,219 S *	9/1998	Campman	D8/363
D408,721 S *	4/1999	Sartini	D8/363
D408,722 S *	4/1999	Sartini	D8/363
D445,019 S *	7/2001	Vitetta	D8/349
D551,953 S *	10/2007	Smalley	D8/381
D552,969 S	10/2007	Bobrowski et al.		

D571,944 S *	6/2008	Pickard	D26/74
D596,330 S *	7/2009	Pickard	D26/74
D617,934 S *	6/2010	Rashidi	D26/74
7,784,754 B2	8/2010	Nevers et al.		
D624,688 S *	9/2010	Johnson	D26/74
7,874,539 B2	1/2011	Wright et al.		
D650,264 S *	12/2011	Smalley	D8/381
8,177,176 B2	5/2012	Nguyen et al.		
D731,876 S *	6/2015	Di Stefano	D8/363

* cited by examiner

Primary Examiner — Robert M Spear

Assistant Examiner — Eliza Bennett-Hattan

(74) *Attorney, Agent, or Firm* — King & Spalding LLP

(57) **CLAIM**

The ornamental design for a pair of hanger bar mounting heads, as shown and described.

DESCRIPTION

FIG. 1 is a front perspective view of a pair of hanger bar mounting heads, showing our new design;

FIG. 2 is a enlarged partial front left perspective view of the right mounting head for the pair of hanger bar mounting heads;

FIG. 3 is a front elevation view thereof;

FIG. 4 is a rear elevation view thereof;

FIG. 5 is a enlarged partial top plan view thereof;

FIG. 6 is a enlarged partial bottom plan view thereof;

FIG. 7 is a left-side elevation view thereof; and

FIG. 8 is a right-side elevation view thereof.

FIG. 9 is a enlarged partial front right perspective view of the left mounting head for the pair of hanger bar mounting heads;

FIG. 10 is a front elevation view thereof;

FIG. 11 is a rear elevation view thereof;

FIG. 12 is a enlarged partial top plan view thereof;

FIG. 13 is a enlarged partial bottom plan view thereof;

FIG. 14 is a enlarged partial left-side elevation view thereof; and,

FIG. 15 is a enlarged partial right-side elevation view thereof.

The broken lines shown in the figures represent unclaimed subject matter and form no part of the claimed design.

1 Claim, 7 Drawing Sheets

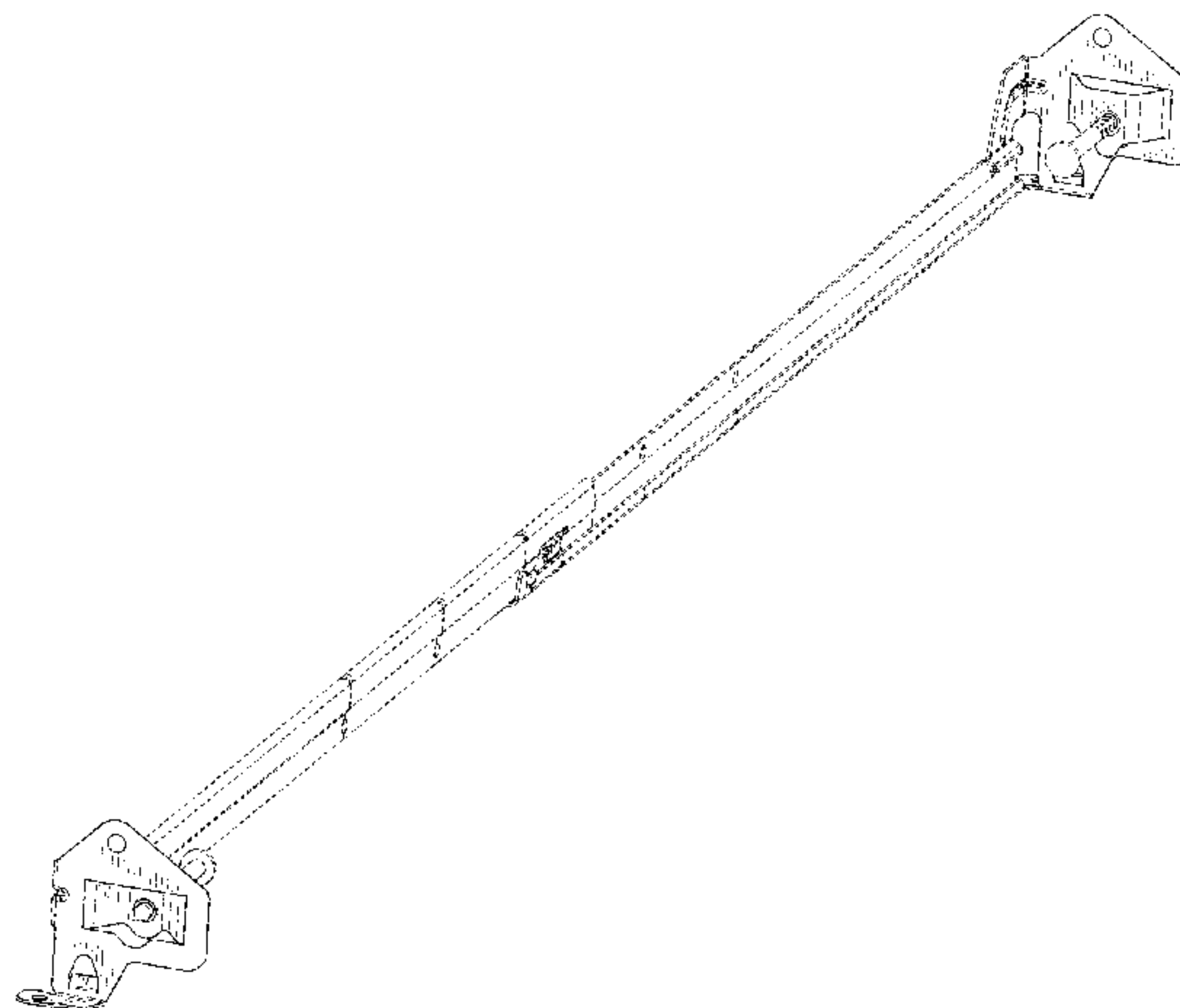


FIG. 1

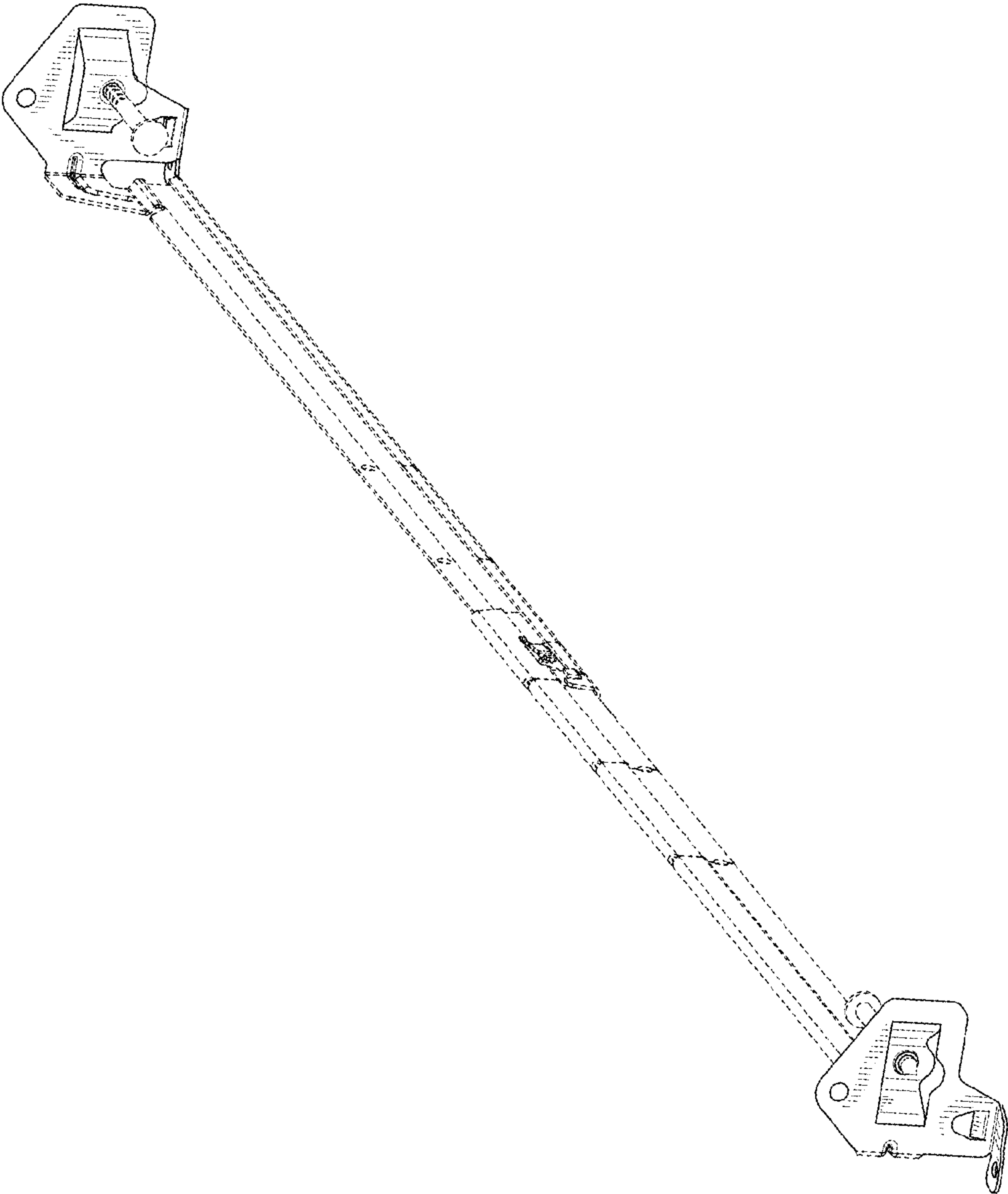


FIG. 2

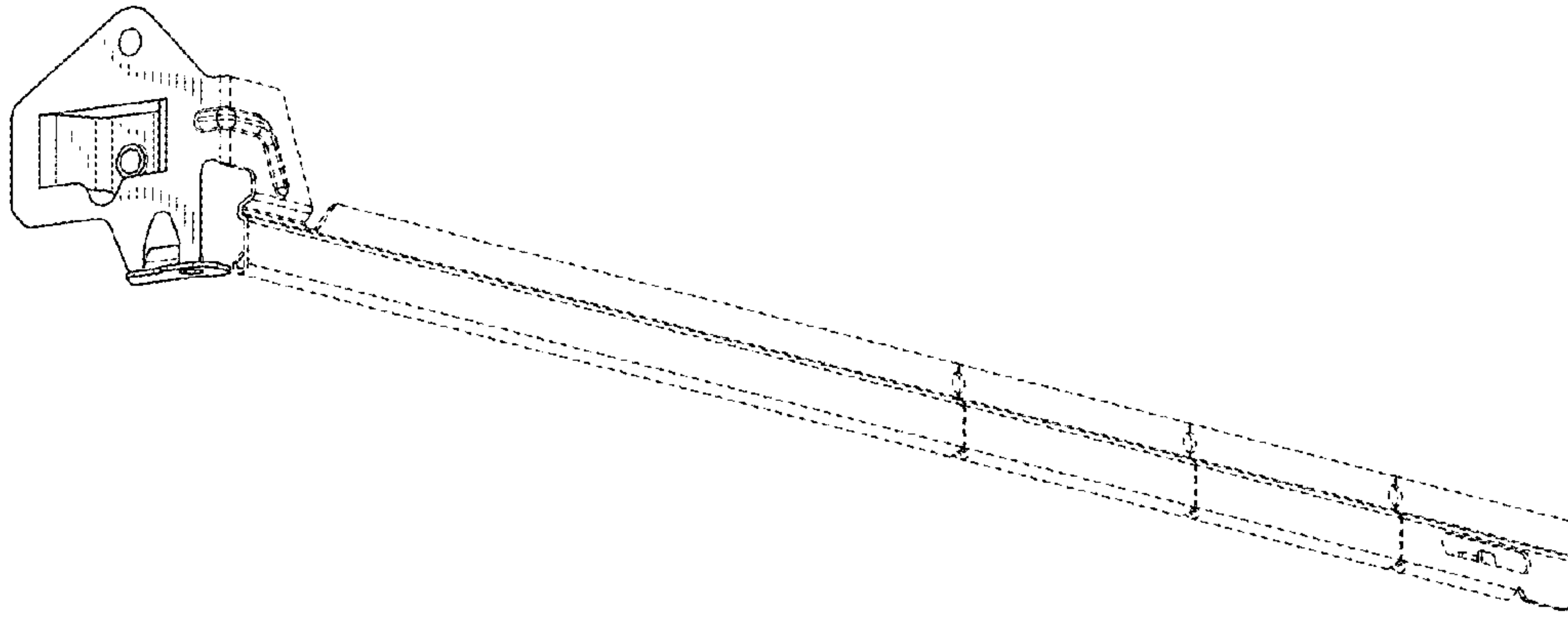


FIG. 3

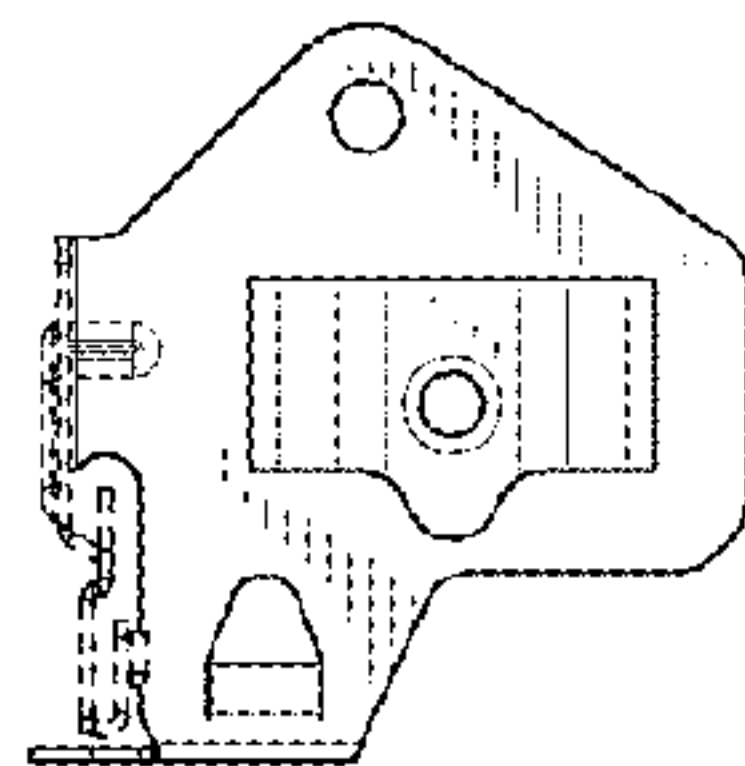


FIG. 4

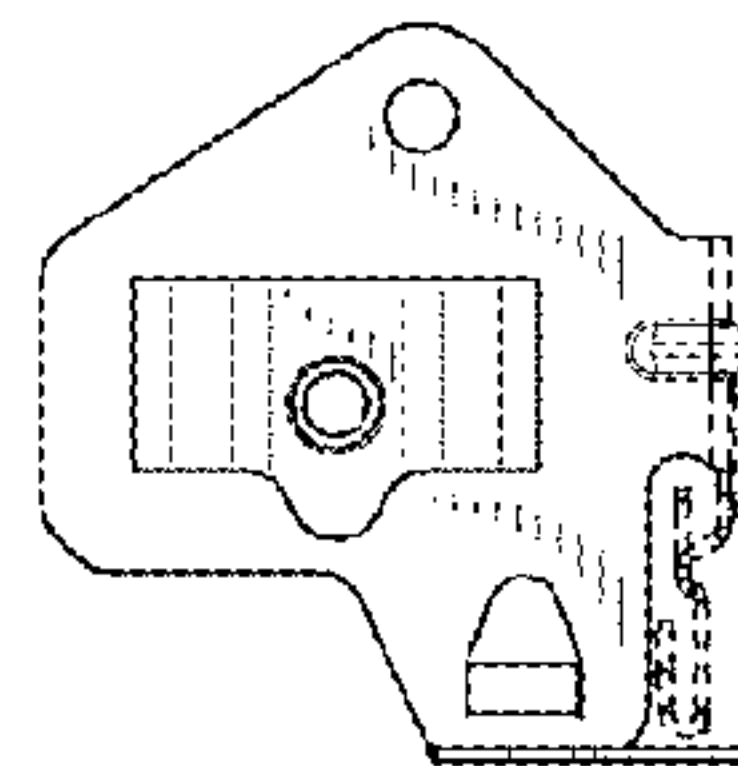


FIG. 5

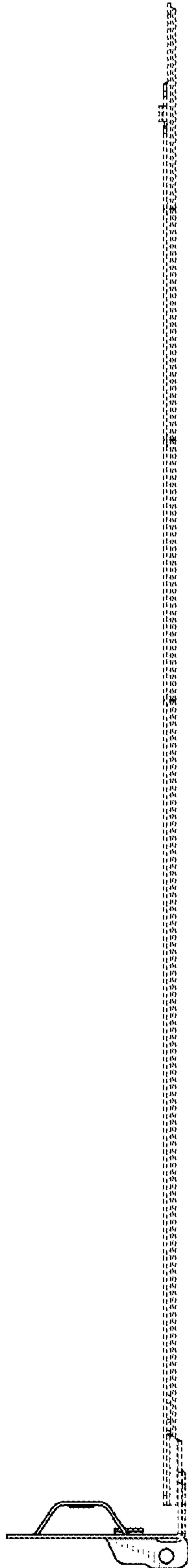


FIG. 6

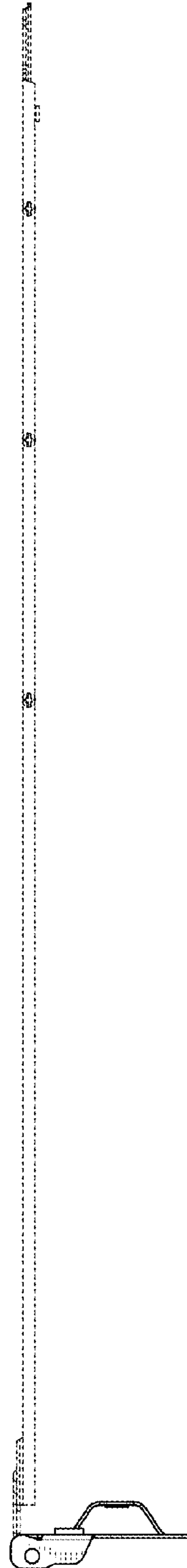


FIG. 7

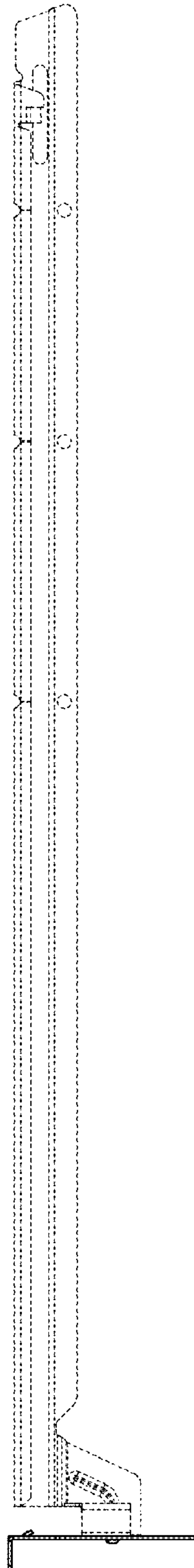


FIG. 8

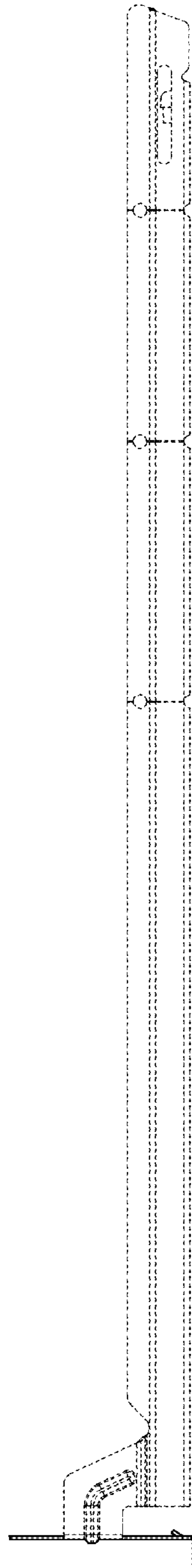


FIG. 9

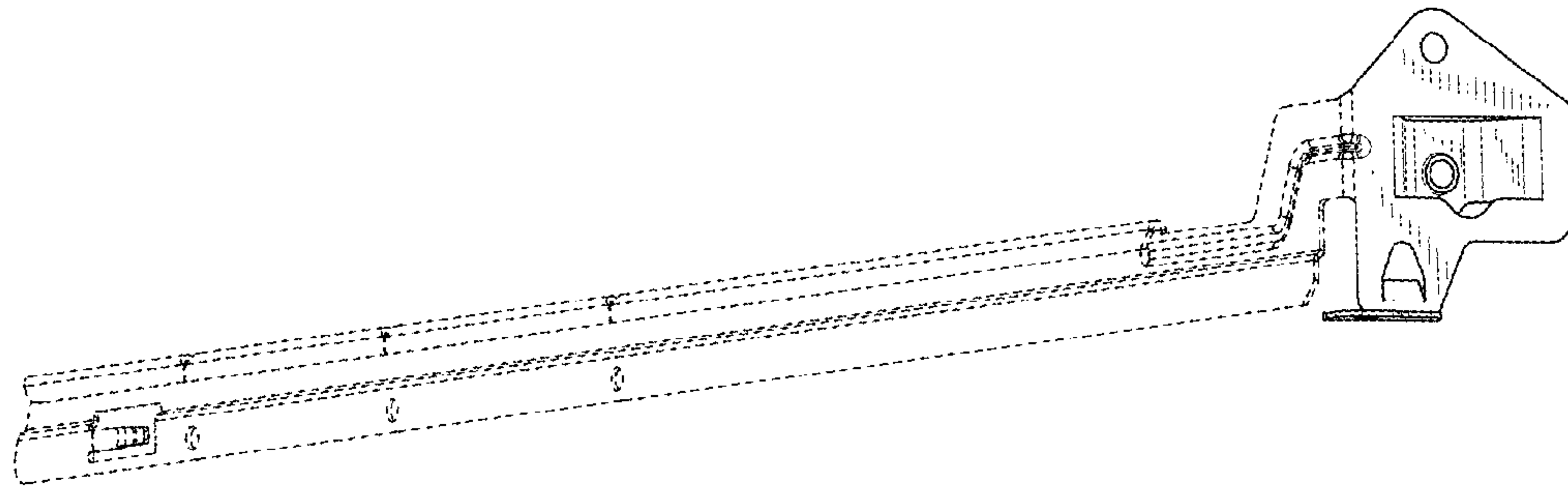


FIG. 10

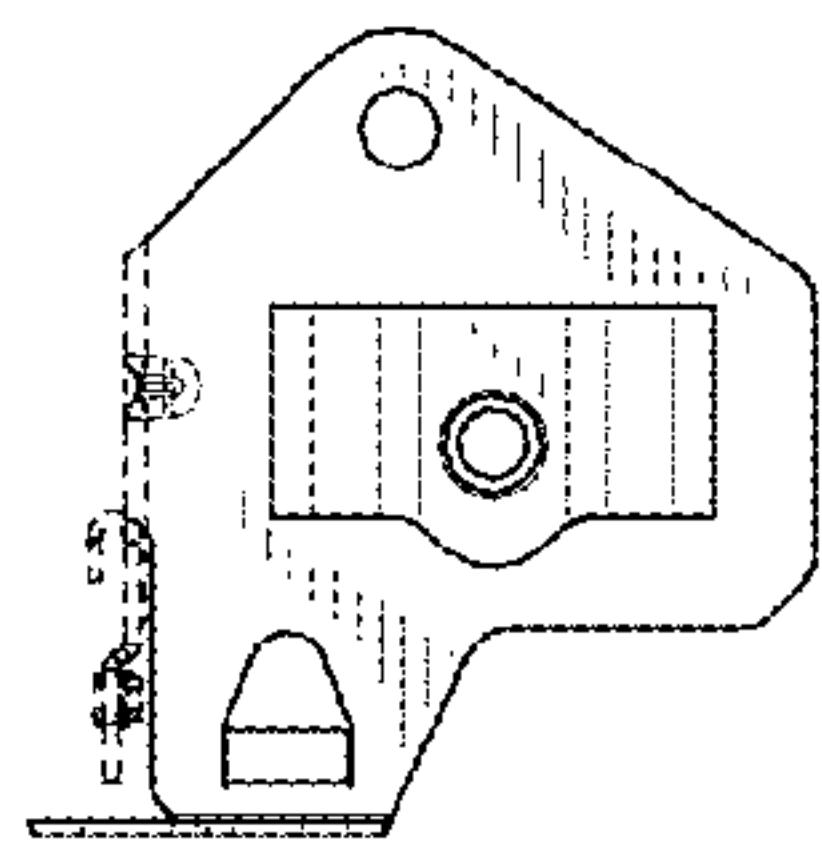


FIG. 11

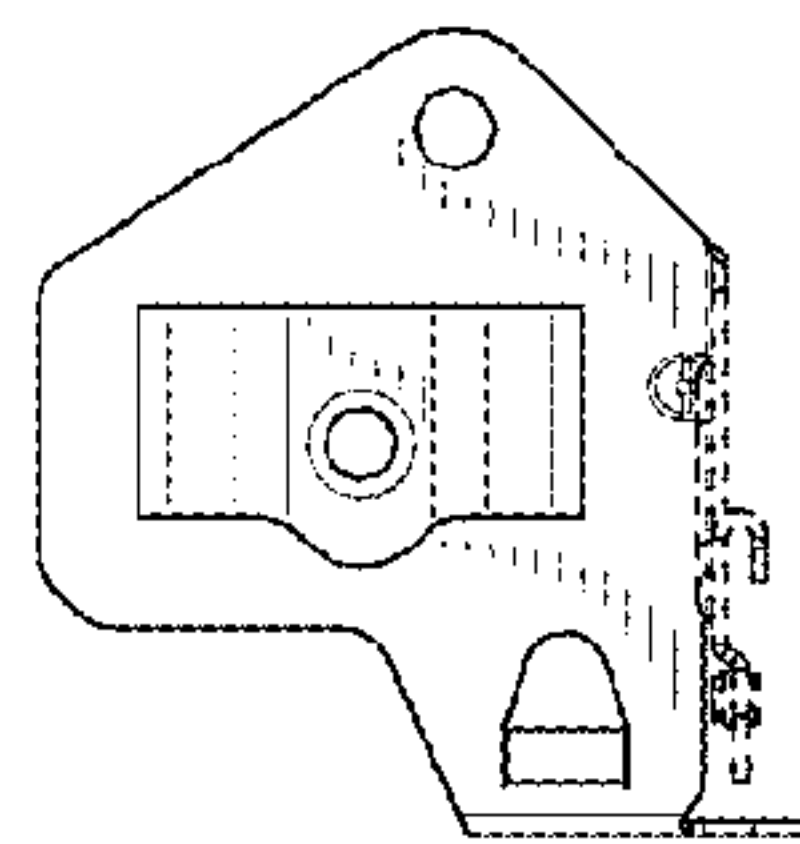


FIG. 12

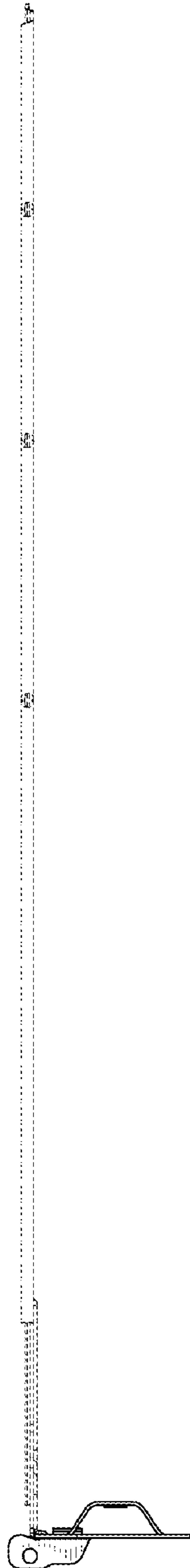


FIG. 13

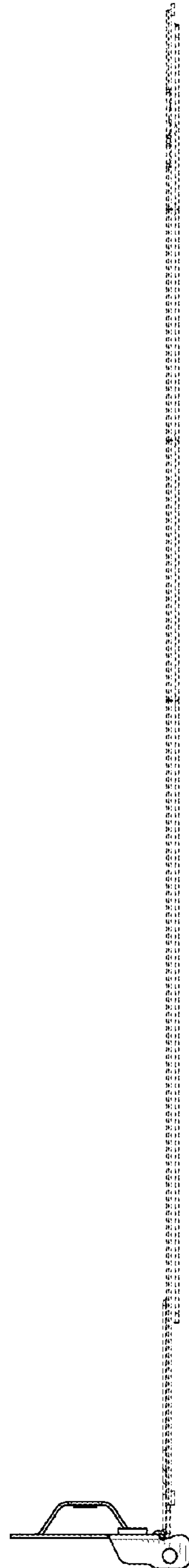


FIG. 14

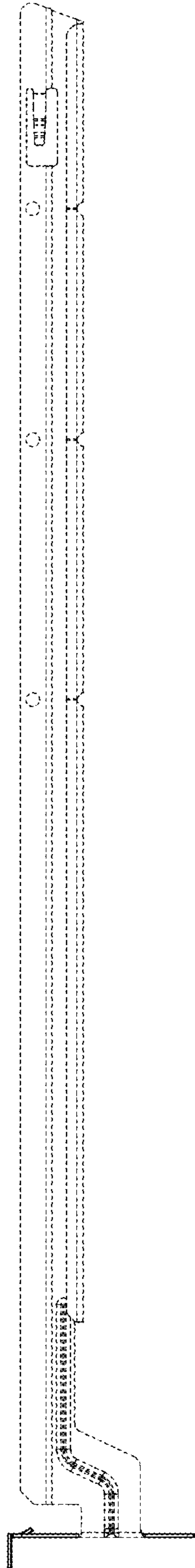


FIG. 15

