



US00D767197S

(12) **United States Design Patent** (10) **Patent No.:** **US D767,197 S**
Anderson et al. (45) **Date of Patent:** **** Sep. 20, 2016**

(54) **LIGHTING FIXTURE**
(71) Applicant: **Apparatus LLC**, New York, NY (US)
(72) Inventors: **Jeremy R. Anderson**, Rhinebeck, NY (US); **Gabriel Hendifar**, Rhinebeck, NY (US)
(73) Assignee: **APPARATUS LLC**, New York, NY (US)
(**) Term: **15 Years**
(21) Appl. No.: **29/527,197**
(22) Filed: **May 16, 2015**
(51) **LOC (10) Cl.** **26-99**
(52) **U.S. Cl.**
USPC **D26/118**
(58) **Field of Classification Search**
USPC D26/1, 24, 72, 81, 88, 118, 128, 138
CPC F21L 14/00; F21S 8/00; F21S 8/036;
F21S 8/043; F21V 5/00; F21V 1/00; F21V 3/00; F21V 7/045; F21V 21/084
See application file for complete search history.

(56) **References Cited**

U.S. PATENT DOCUMENTS

1,763,963	A *	6/1930	Guth	F21V 5/00 362/312
1,866,750	A *	7/1932	Brownell	F21L 14/00 362/296.08
D200,590	S *	3/1965	Van Steenhoven	D26/24
D422,743	S *	4/2000	Johnson	D26/128
D448,108	S *	9/2001	Hoffbauer	D26/128
D503,819	S *	4/2005	Pickett	D26/118
D520,668	S *	5/2006	Brunner	D26/88
D567,433	S *	4/2008	Gordin	D26/128
D575,902	S *	8/2008	Ricereto	D26/138
D576,761	S *	9/2008	Porter	D26/128
D616,142	S *	5/2010	Bagnall	D26/128
D741,533	S *	10/2015	Yeh	D26/72

* cited by examiner

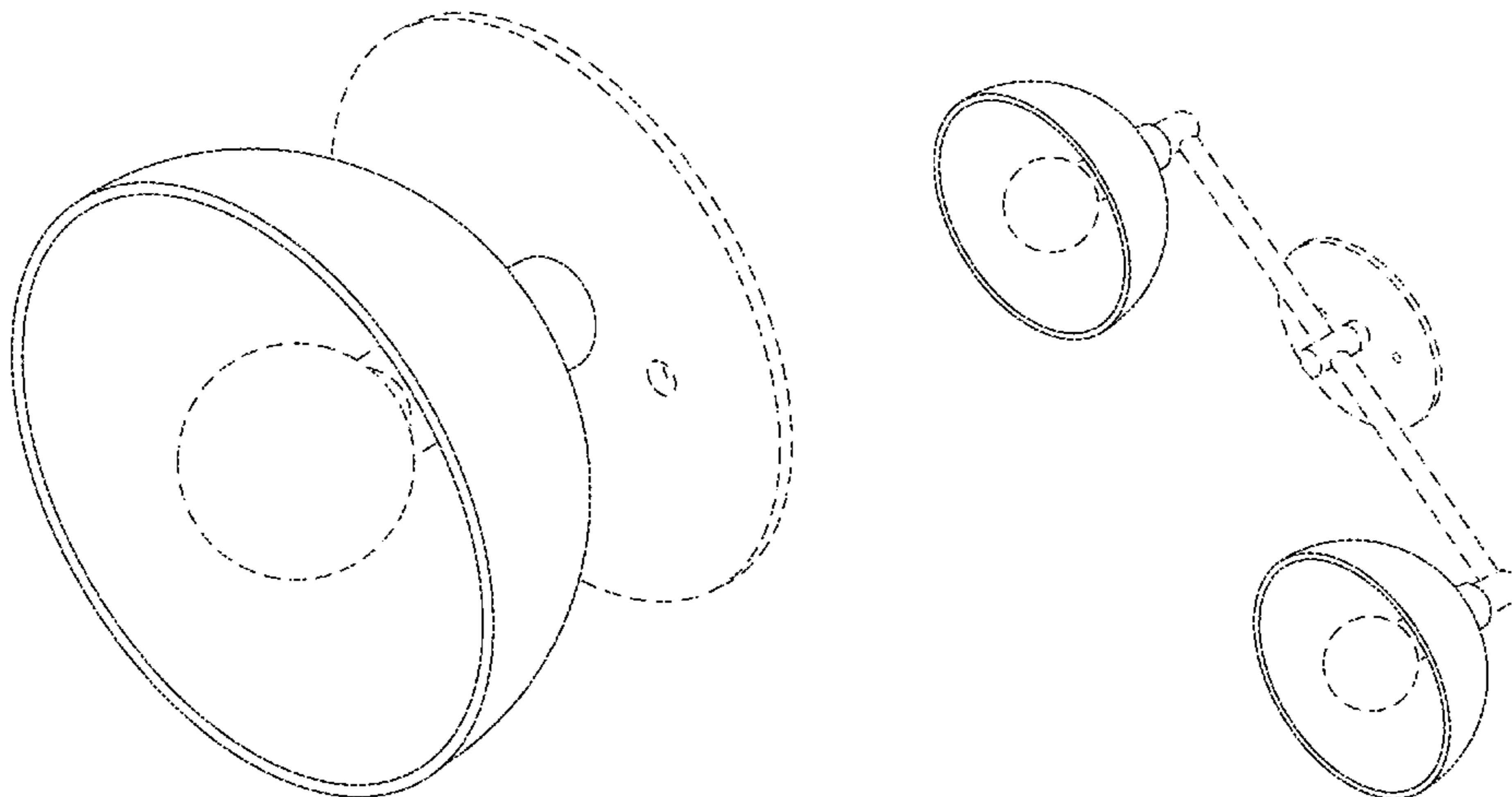
Primary Examiner — Brian N Vinson
(74) *Attorney, Agent, or Firm* — Gottlieb, Rackman & Reisman, P.C.

(57) **CLAIM**
We claim the ornamental design for a lighting fixture, as shown and described.

DESCRIPTION

FIG. 1 is a left elevation view showing a first embodiment of any new design of a lighting fixture;
FIG. 2 is a right elevation view of the lighting fixture of the first embodiment;
FIG. 3 is a front elevation view of the lighting fixture of the first embodiment;
FIG. 4 is a rear elevation view of the lighting fixture of the first embodiment;
FIG. 5 is a top plan view of the lighting fixture of the first embodiment;
FIG. 6 is a bottom view of the lighting fixture of the first embodiment;
FIG. 7 is a perspective view of the lighting fixture of the first embodiment;
FIG. 8 is a left elevation view showing a second embodiment of my new design of a lighting fixture;
FIG. 9 is a right elevation view of the lighting fixture of the second embodiment;
FIG. 10 is a front elevation view of the lighting fixture of the second embodiment;
FIG. 11 is a rear elevation view of the lighting fixture of the second embodiment;
FIG. 12 is a top plan view of the lighting fixture of the second embodiment;
FIG. 13 is a bottom view of the lighting fixture of the second embodiment; and,
FIG. 14 is a perspective view of the lighting fixture of the second embodiment.
The broken line disclosure represents portions of the lighting fixture which form no part of the claimed design.

1 Claim, 14 Drawing Sheets



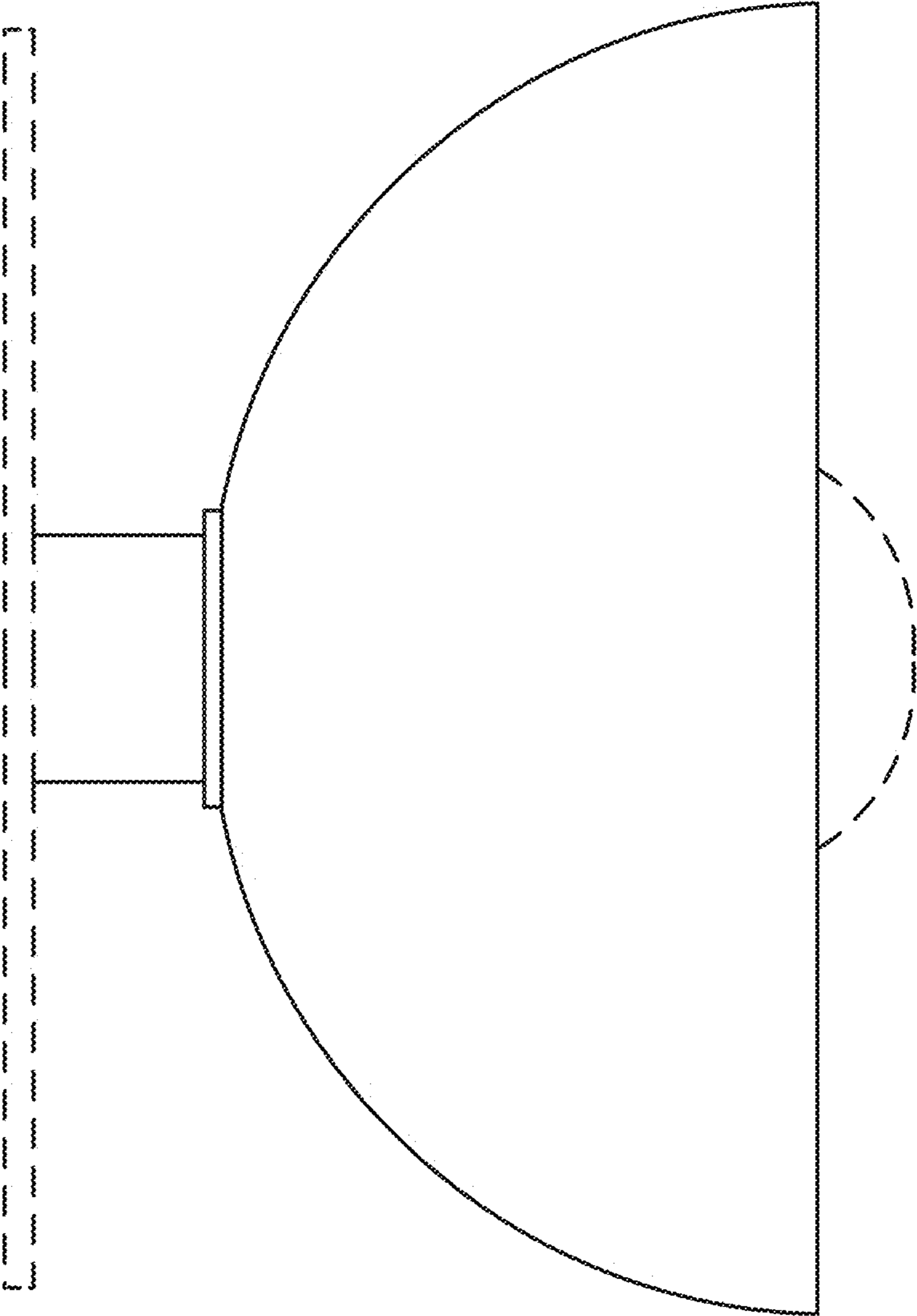


FIG. 1

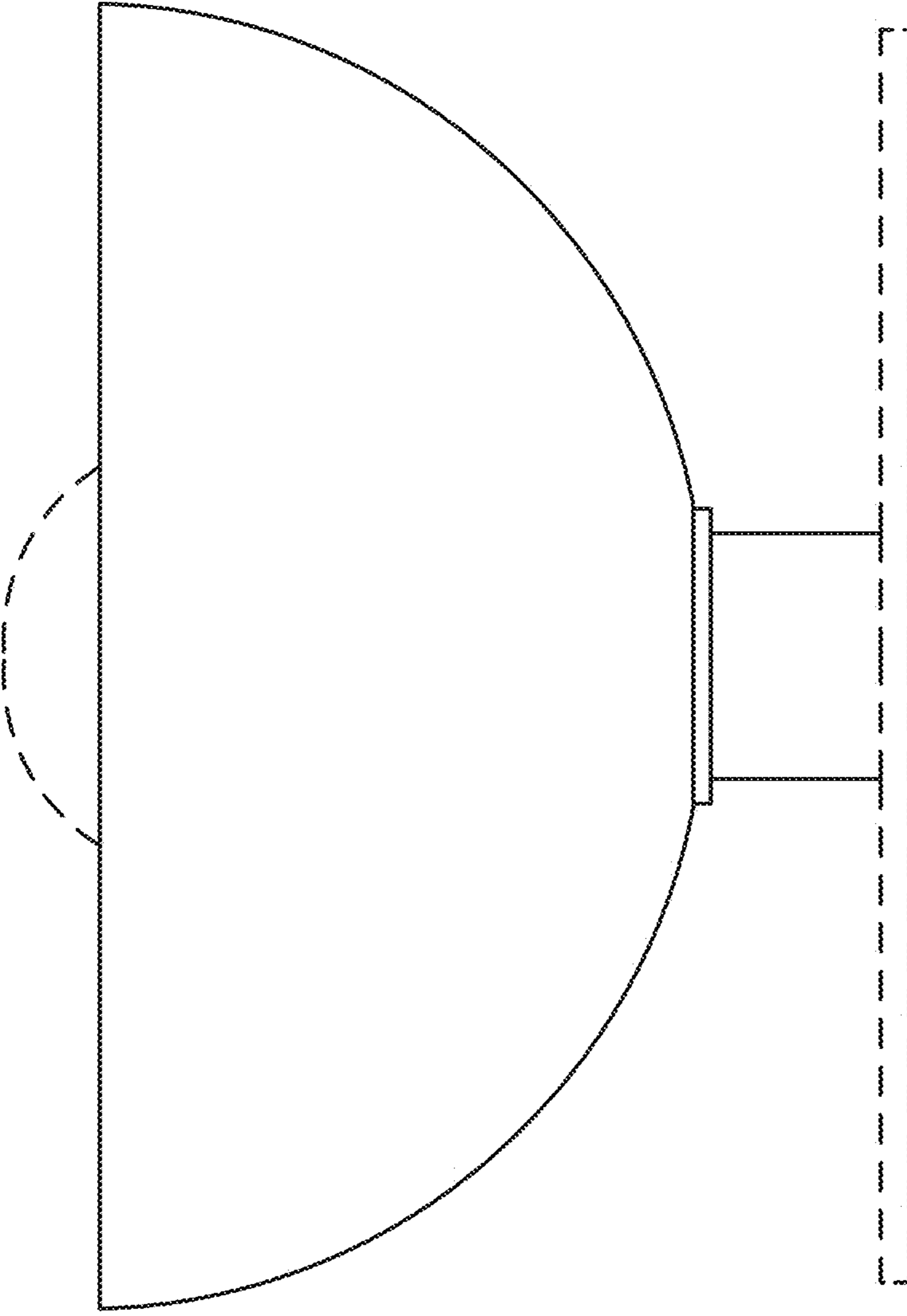


FIG. 2

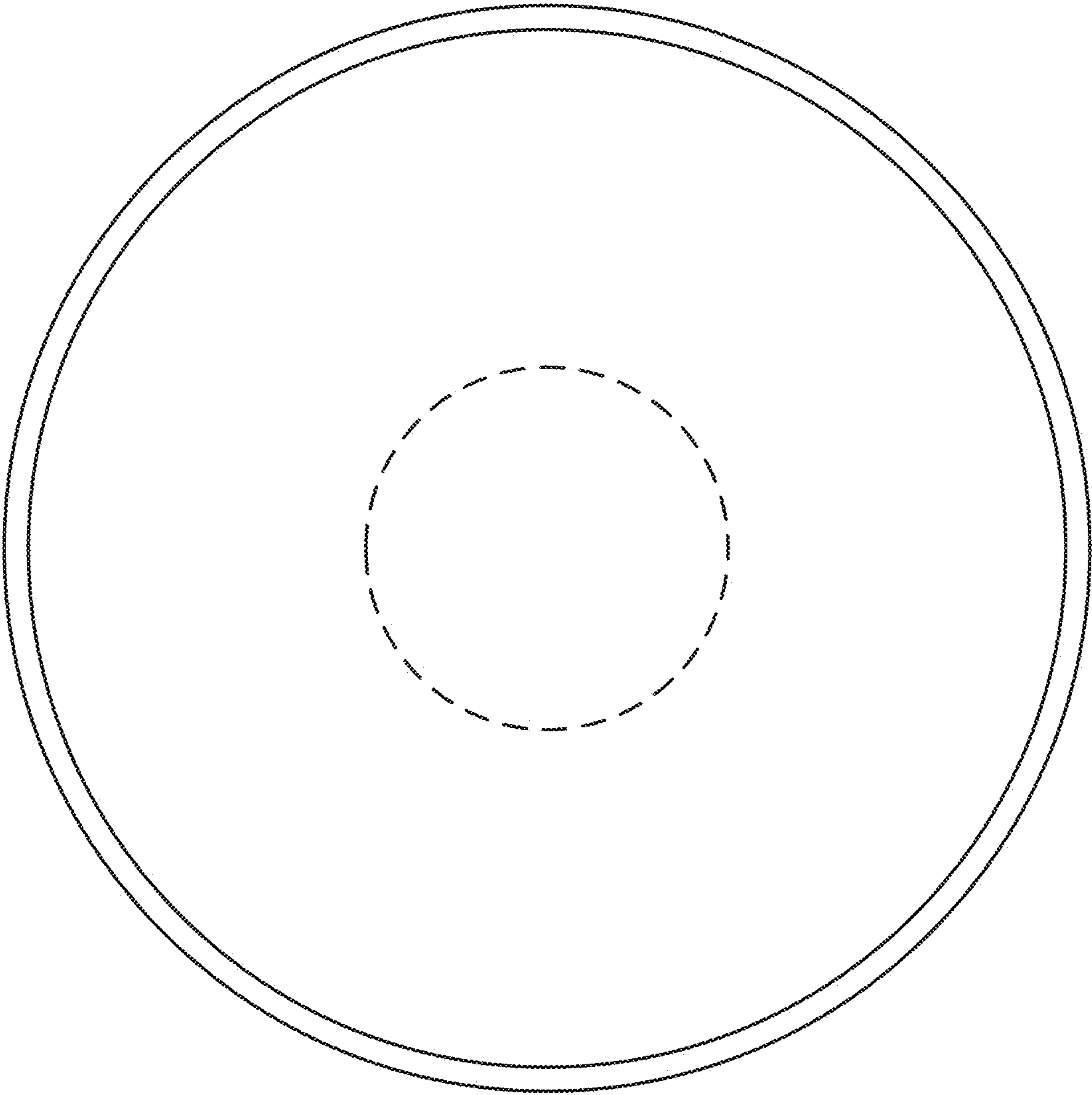


FIG. 3

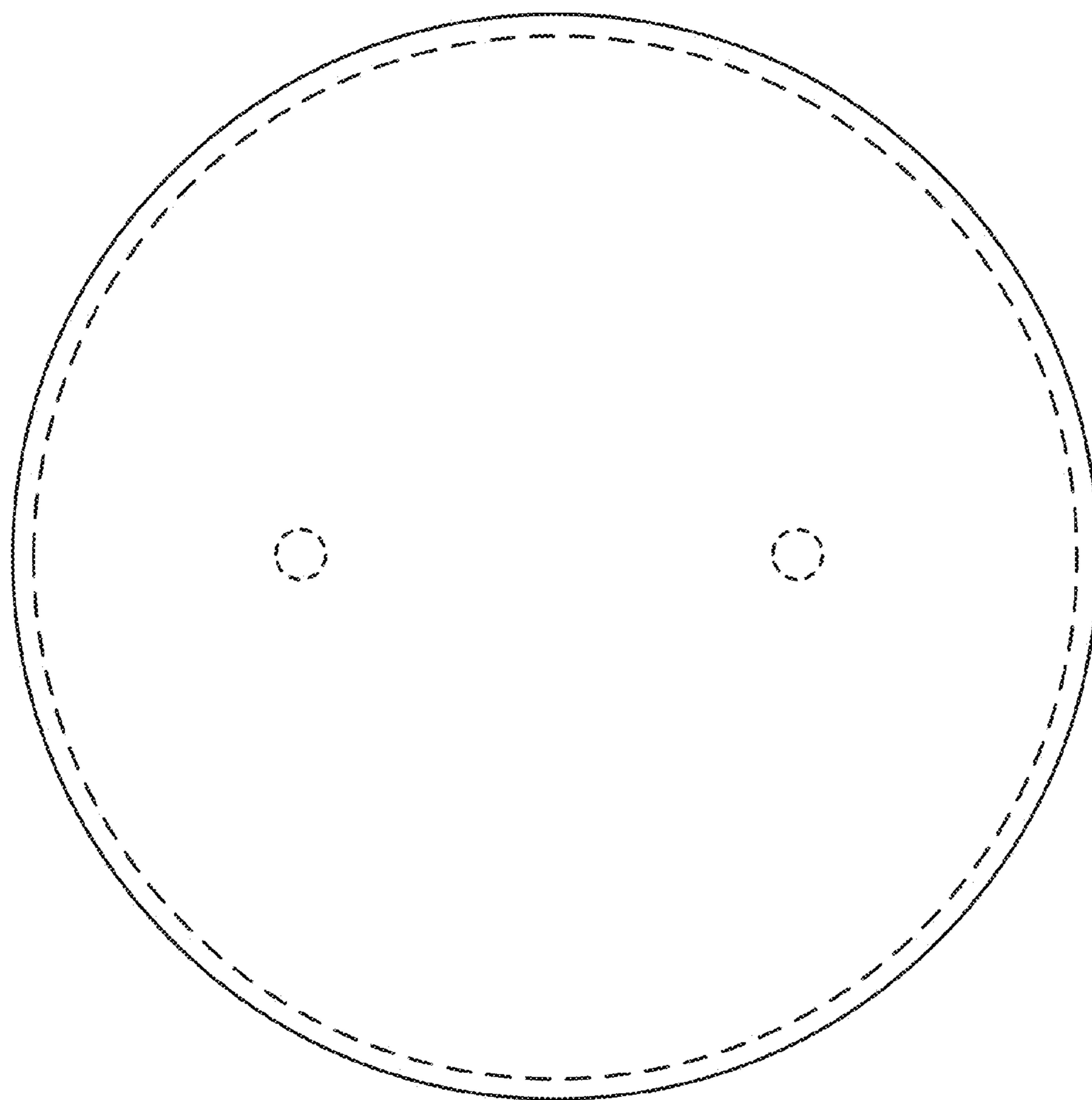


FIG. 4

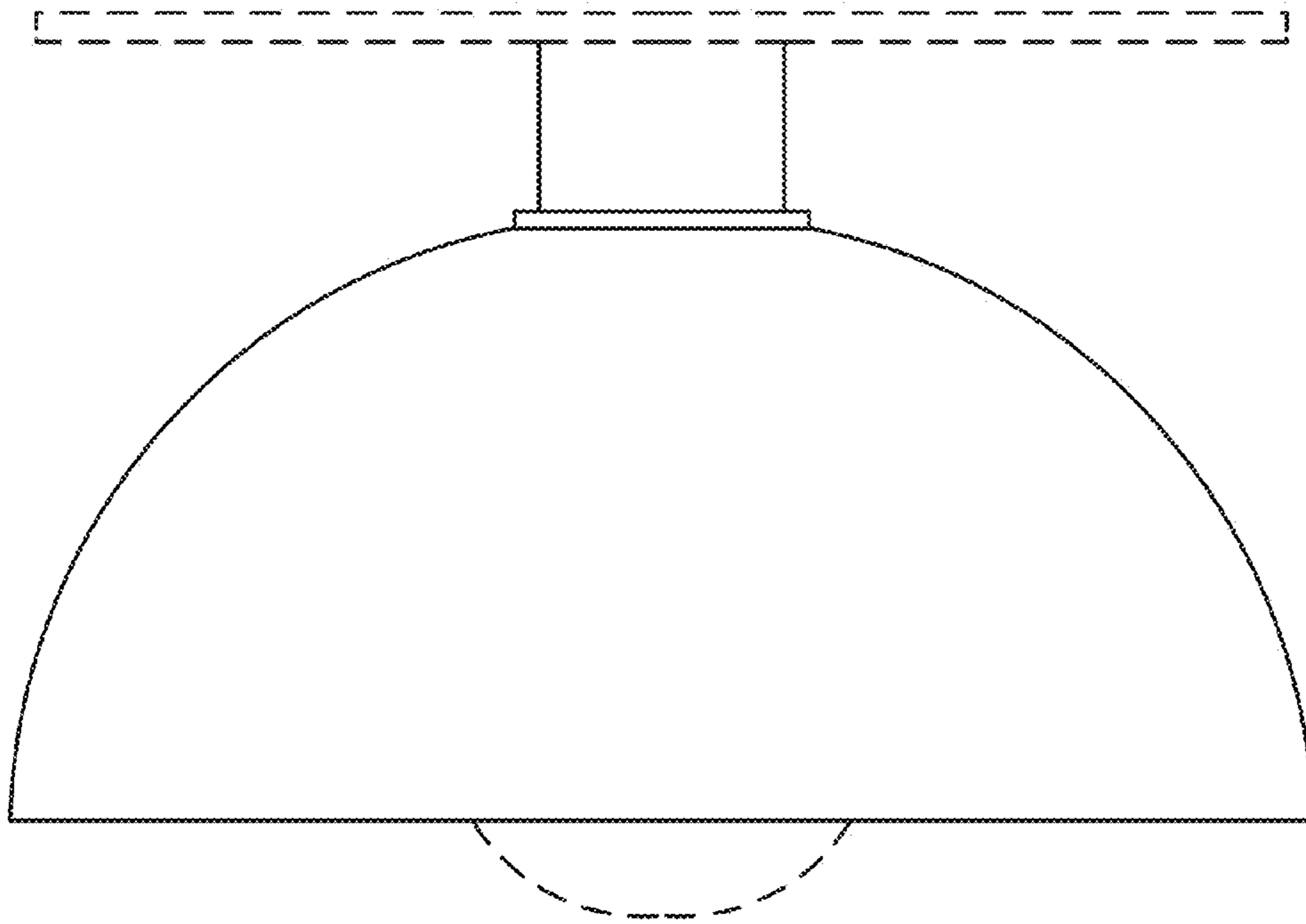


FIG. 5

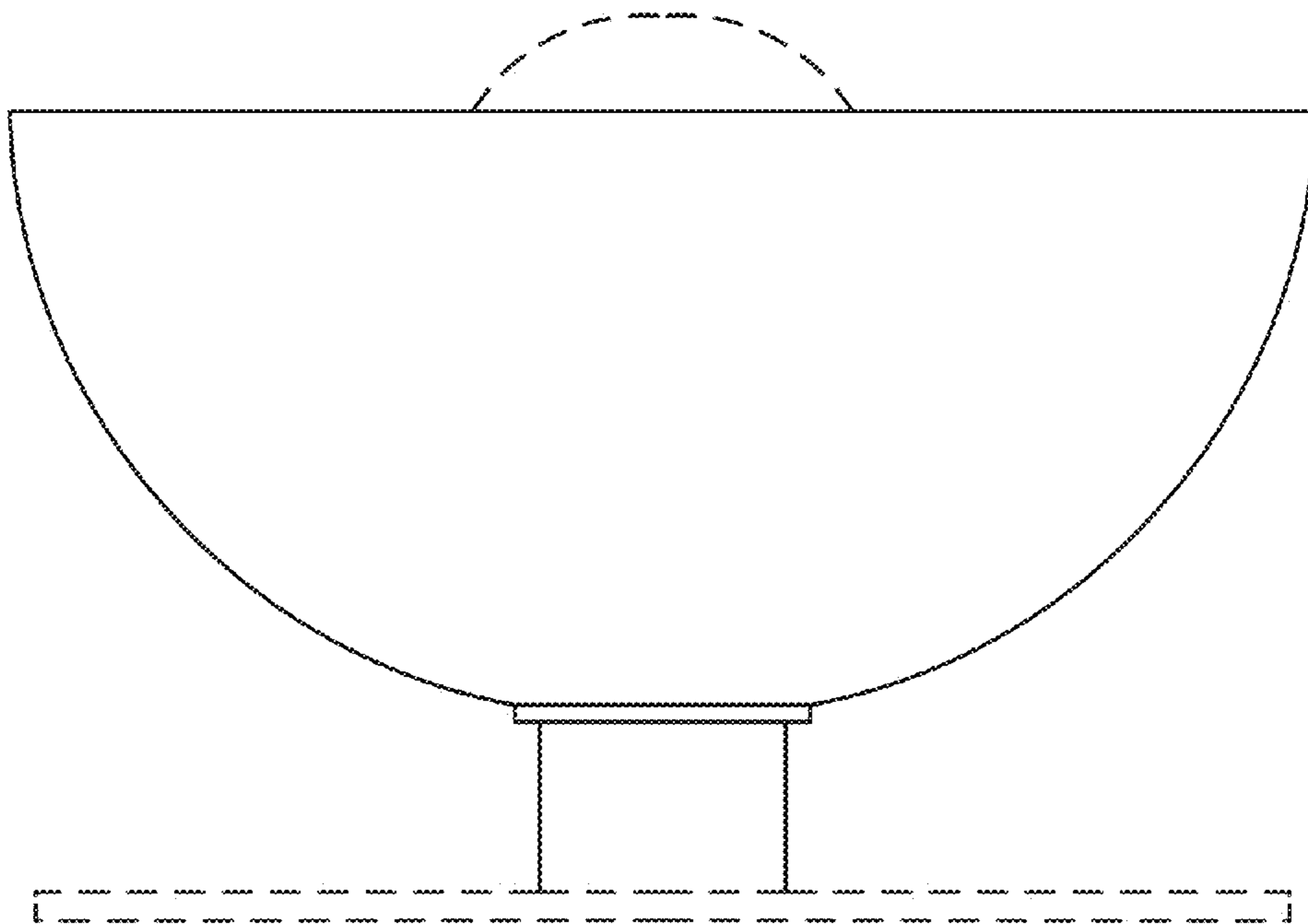


FIG. 6

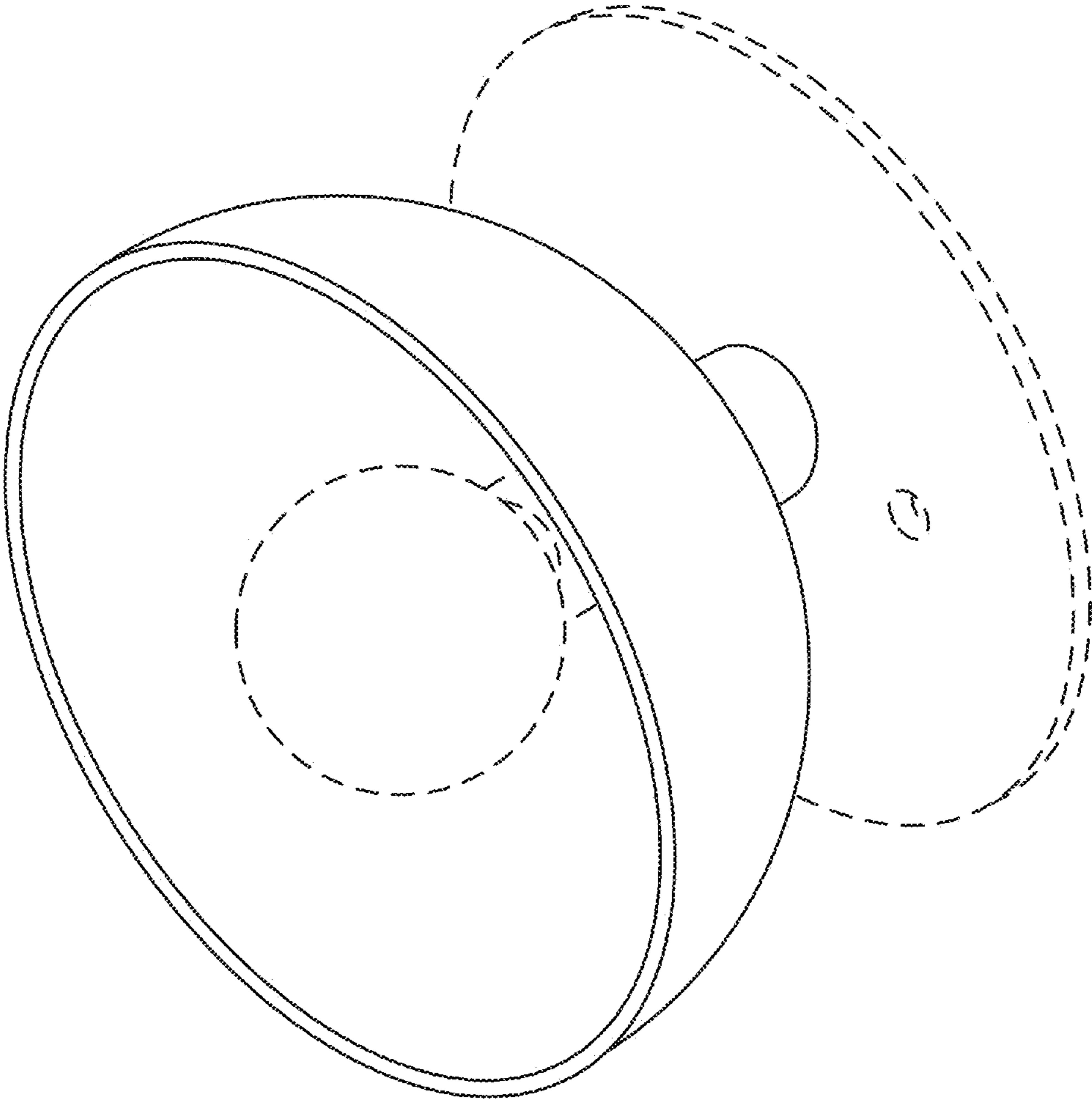


FIG. 7

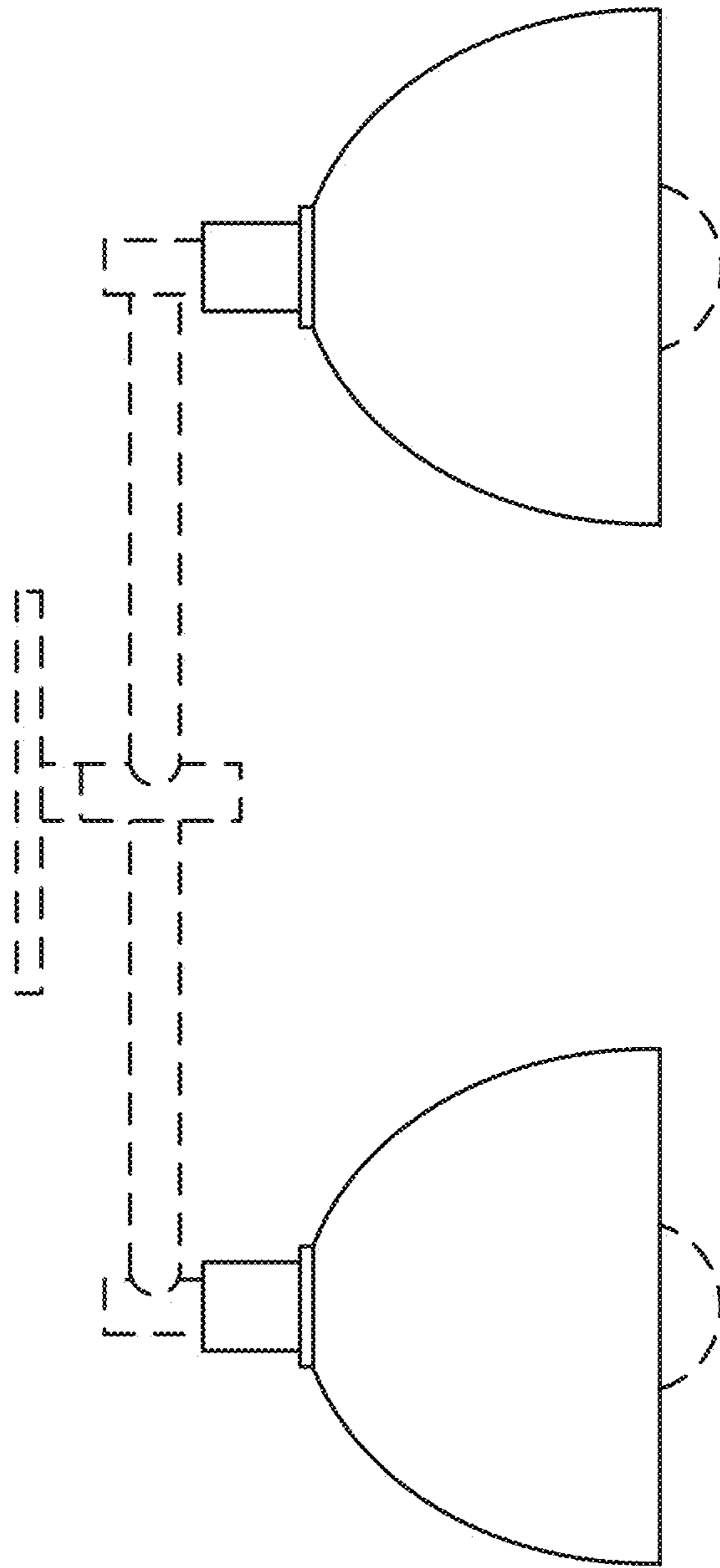


FIG. 8

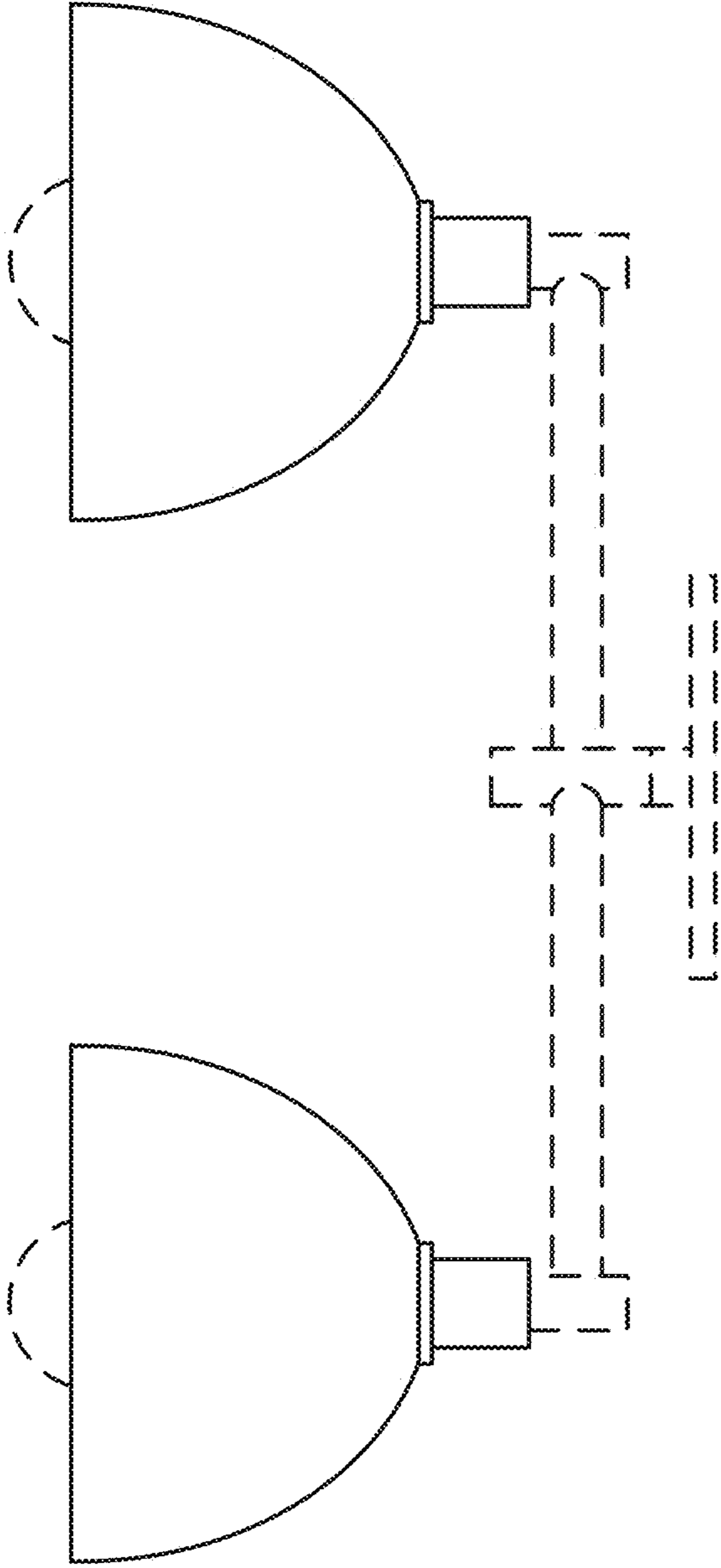


FIG. 9

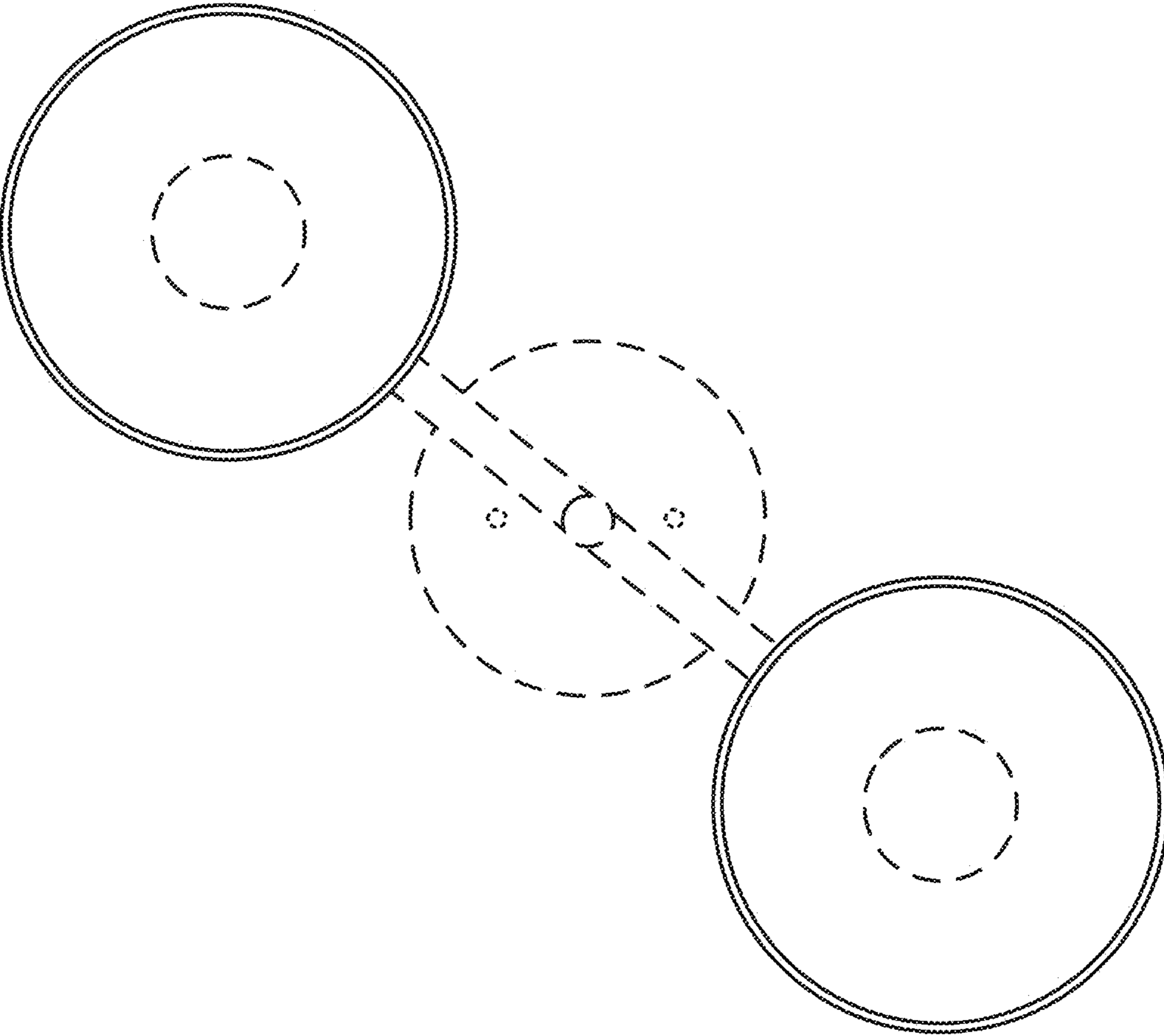


FIG. 10

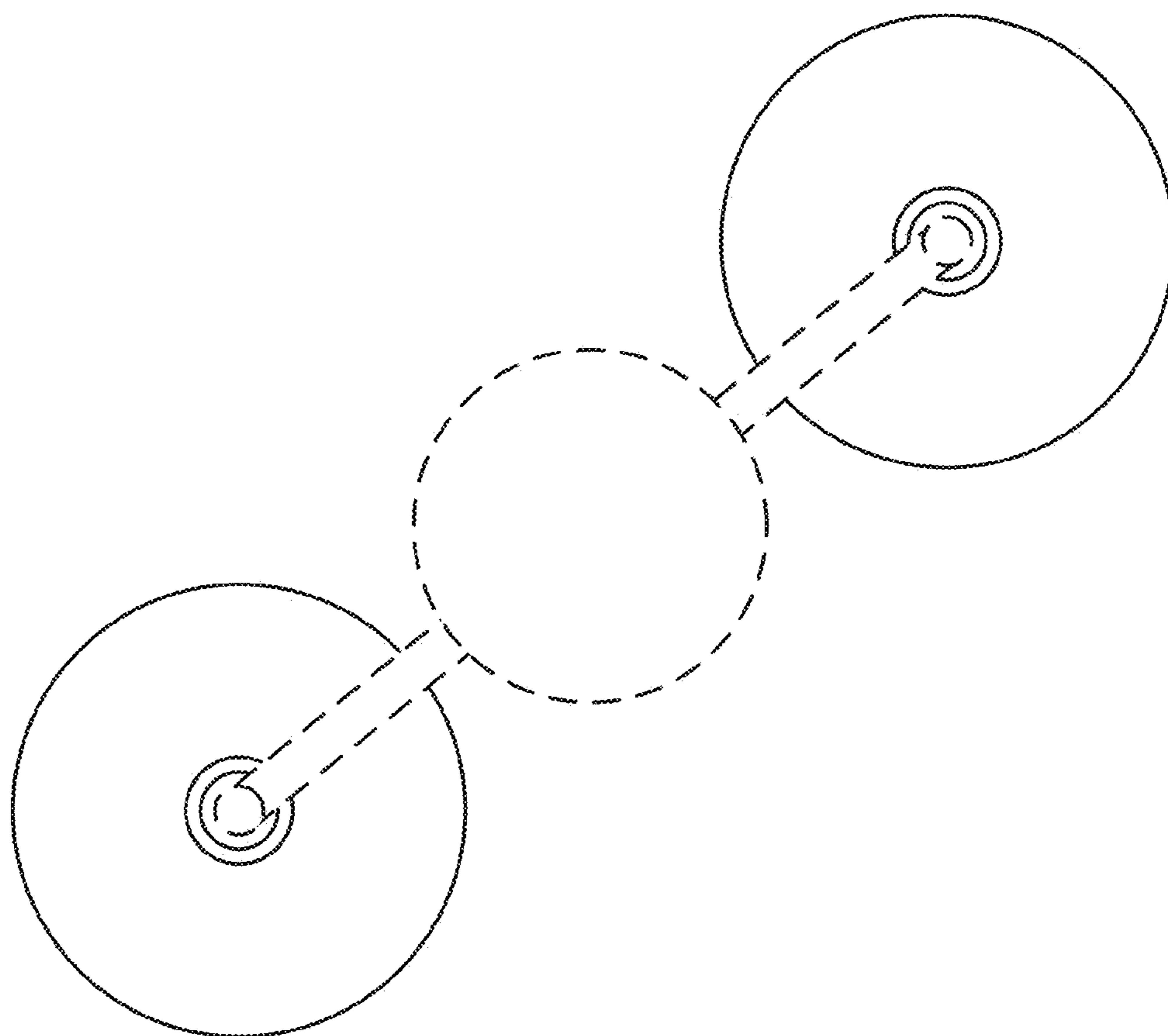


FIG. 11

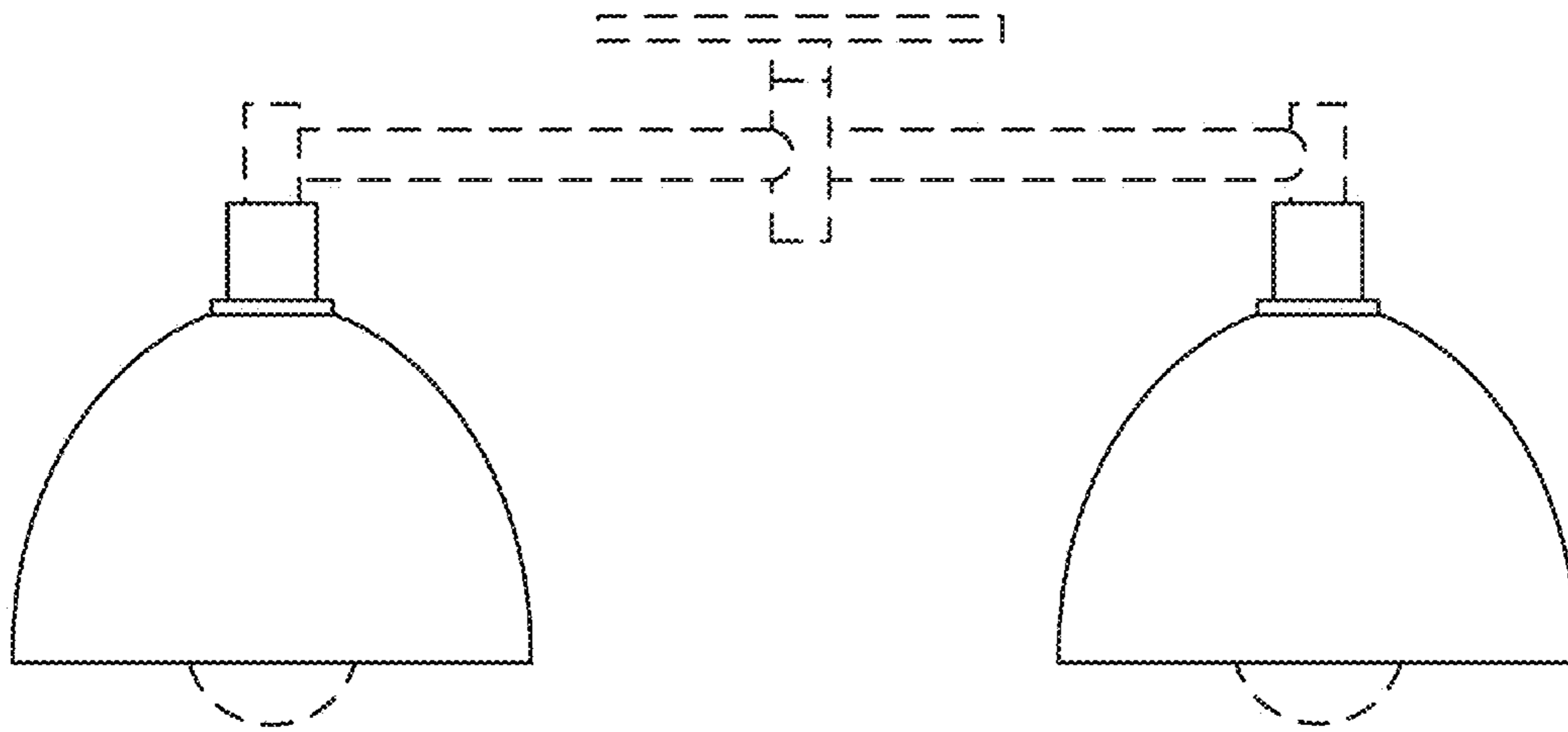


FIG. 12

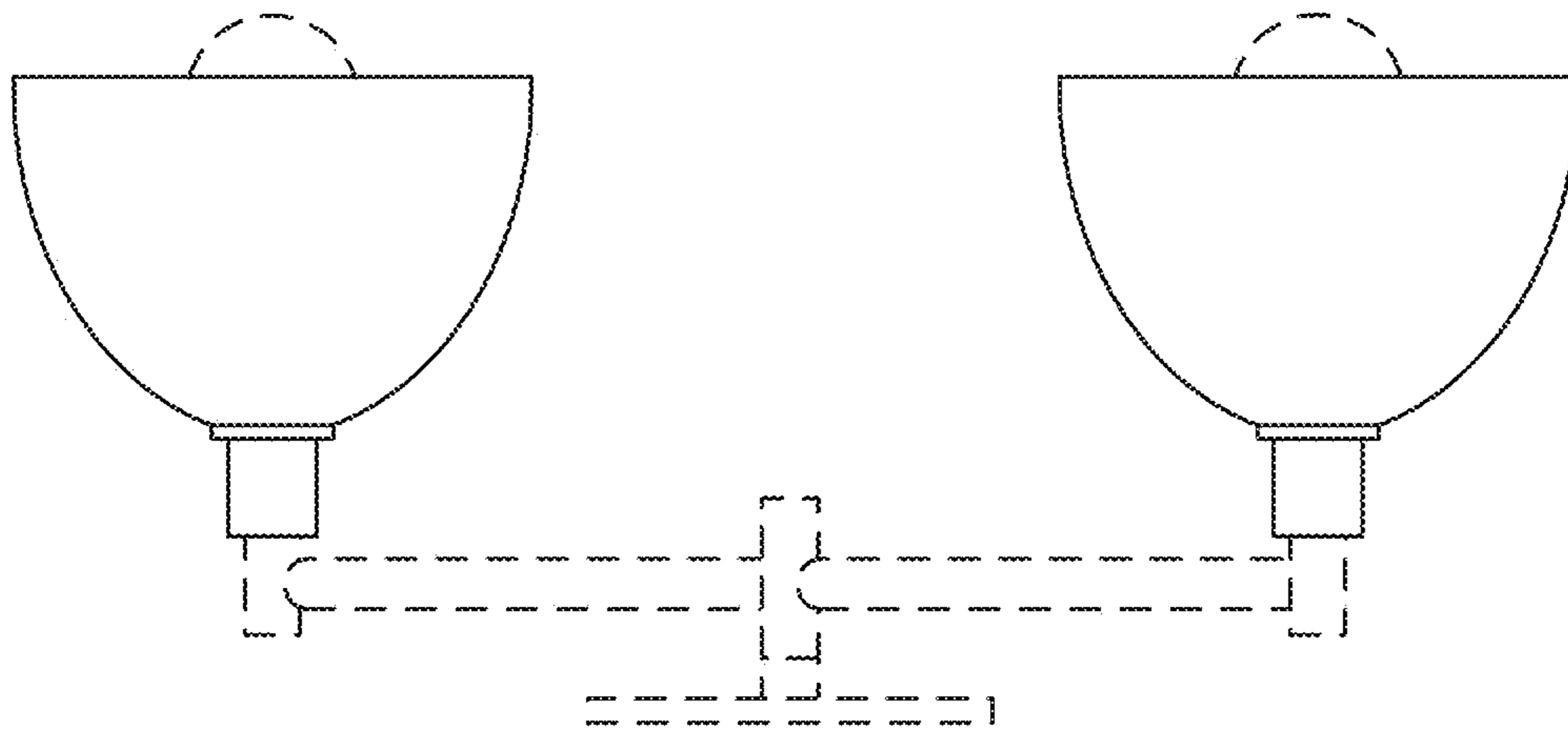


FIG. 13

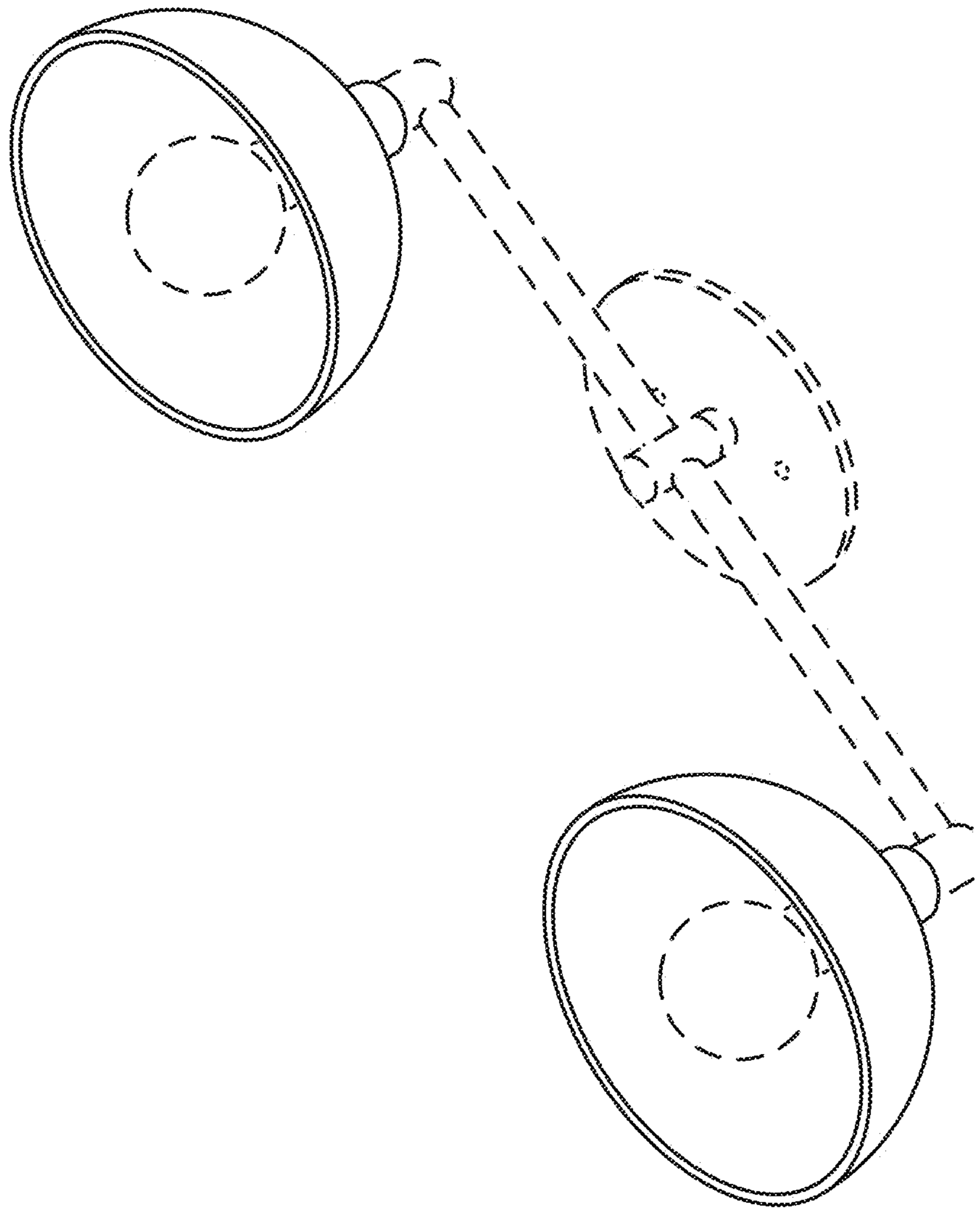


FIG. 14