

US00D767195S

(12) **United States Design Patent** (10) **Patent No.:** **US D767,195 S**
Pollack, Jr. (45) **Date of Patent:** **** Sep. 20, 2016**

(54) **LIGHTING FIXTURE**
(71) Applicant: **EASTCO CORPORATION**, Oak Lawn, IL (US)
(72) Inventor: **George P. Pollack, Jr.**, Oak Lawn, IL (US)
(73) Assignee: **EASTCO CORPORATION**, Oak Lawn, IL (US)
(**) Term: **14 Years**
(21) Appl. No.: **29/517,609**
(22) Filed: **Feb. 13, 2015**
(51) **LOC (10) Cl.** **26-03**
(52) **U.S. Cl.**
USPC **D26/89; D26/119**
(58) **Field of Classification Search**
USPC D26/72, 89, 119
CPC F21S 8/04; F21V 15/02; F21V 21/03;
F21V 29/20; F21V 29/2212
See application file for complete search history.

(56) **References Cited**
U.S. PATENT DOCUMENTS
771,259 A * 10/1904 Martin F21V 15/02
174/50.51
1,978,882 A * 10/1934 Olley F21V 17/101
174/559
2,259,237 A * 10/1941 Baker F21V 15/02
362/376
2,749,433 A * 6/1956 Appleton F21V 31/00
362/344
D257,065 S * 9/1980 Silvestris D26/61
D300,372 S * 3/1989 O'Dohanue D26/67
D347,905 S * 6/1994 Barbour D26/67
D359,139 S * 6/1995 Kaczmarek D26/119
D400,278 S * 10/1998 Binsukor D26/119
D467,379 S * 12/2002 Hsu D26/72
D565,230 S * 3/2008 Hetfield D26/72

D637,339 S * 5/2011 Hasan D26/72
D637,340 S * 5/2011 Hasan D26/72
7,988,327 B1 * 8/2011 Knoble F21S 8/036
362/227
D653,795 S * 2/2012 Guercio D26/119
D663,464 S * 7/2012 Lee D26/72
D739,586 S * 9/2015 Hong D26/51
2009/0135607 A1 * 5/2009 Holloway F21V 25/12
362/362
2012/0195041 A1 * 8/2012 Fletcher F21V 15/02
362/249.02
2012/0268936 A1 * 10/2012 Pickard F21V 29/74
362/249.02

OTHER PUBLICATIONS

All "NEO" fixtures shown on p. 260 of the Eurofase Illuminations Catalog No. MKT-CAT-EF09. © 2009. (2 pages, includes rear cover of catalog).*

* cited by examiner

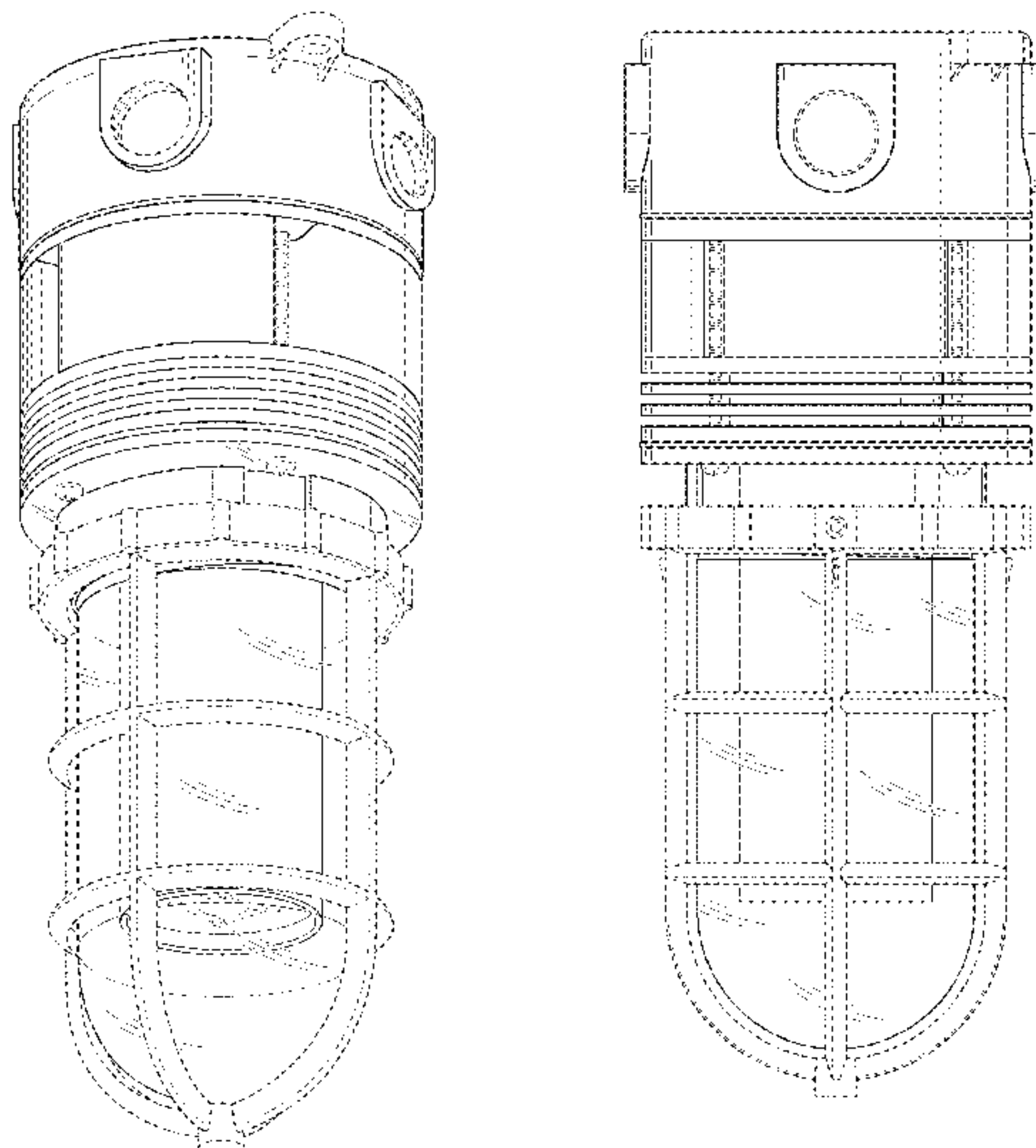
Primary Examiner — Clare E Heflin
(74) *Attorney, Agent, or Firm* — Michael Best & Friedrich LLP

(57) **CLAIM**
The ornamental design for a lighting fixture, as shown and described.

DESCRIPTION

FIG. 1 is a front perspective view of a lighting fixture showing my new design;
FIG. 2 is a front elevation view thereof;
FIG. 3 is a rear elevation view thereof;
FIG. 4 is a right side elevation view thereof;
FIG. 5 is a left side elevation view thereof;
FIG. 6 is a top plan view thereof; and,
FIG. 7 is a bottom plan view thereof.
The broken lines shown on the drawings depict portions of the lighting fixture that form no part of the claimed design.

1 Claim, 4 Drawing Sheets



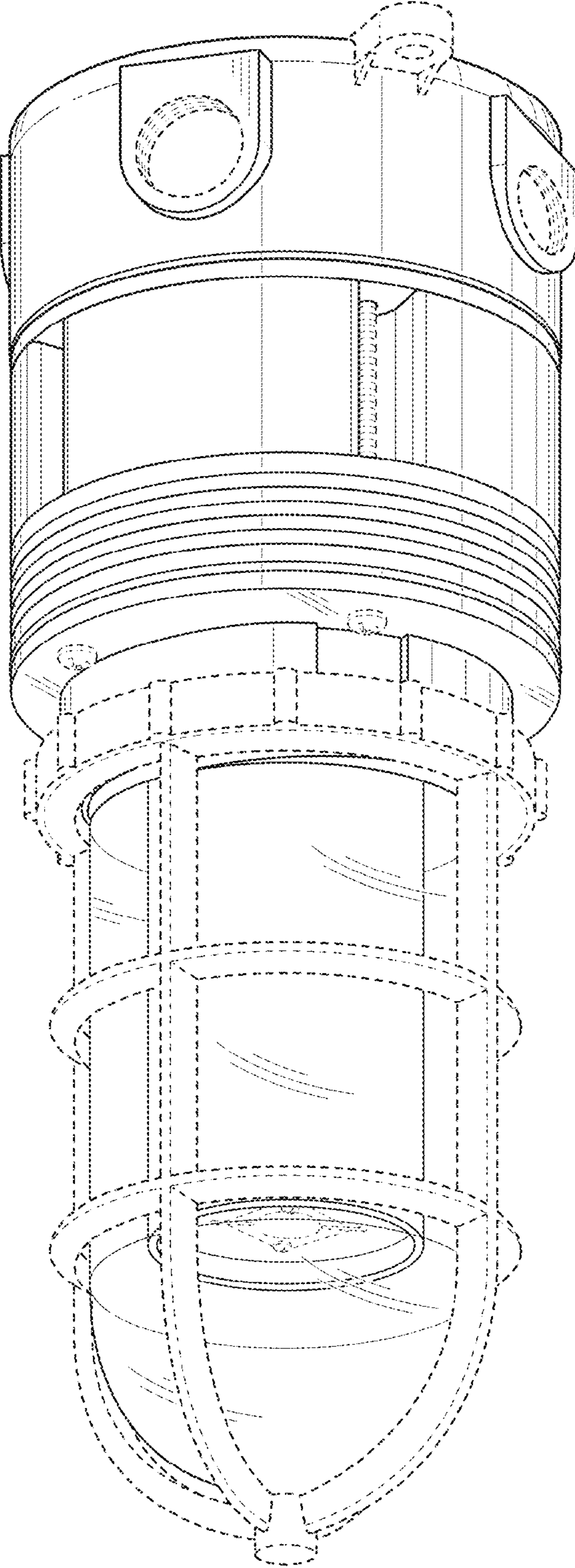


FIG. 1

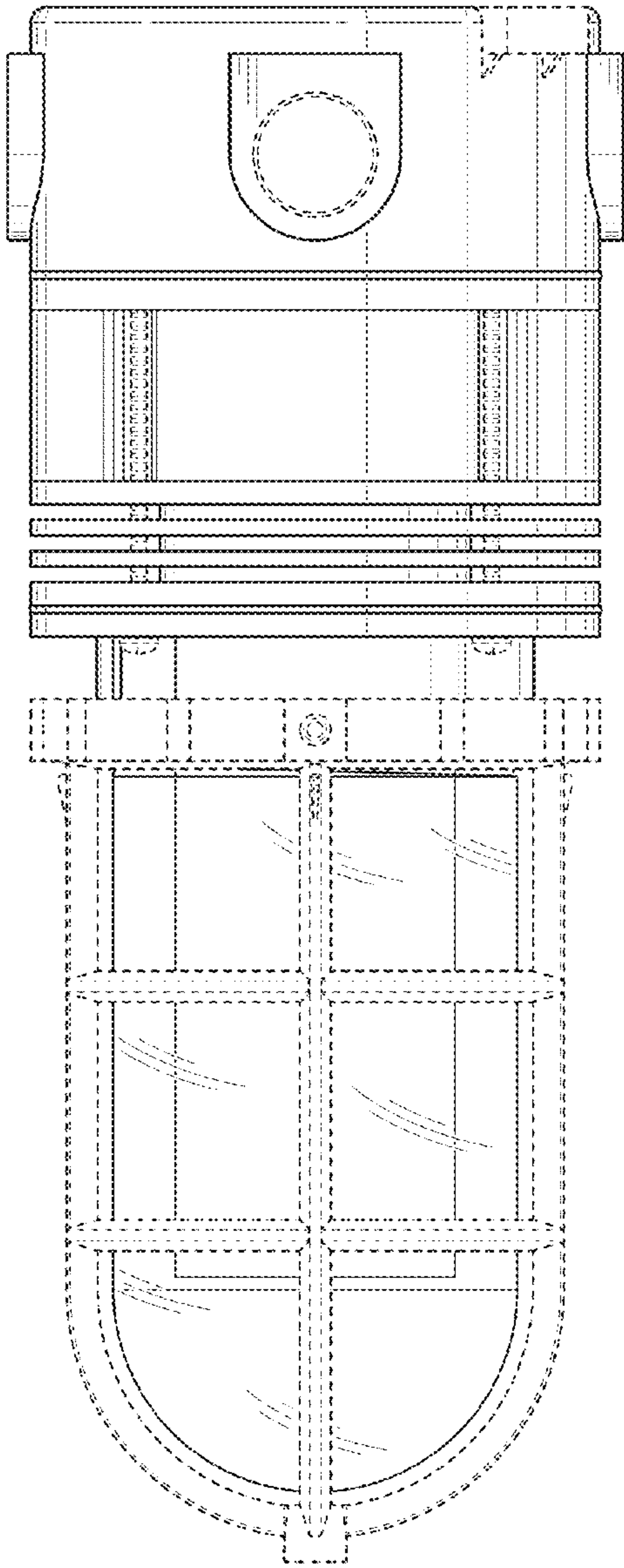


FIG. 2

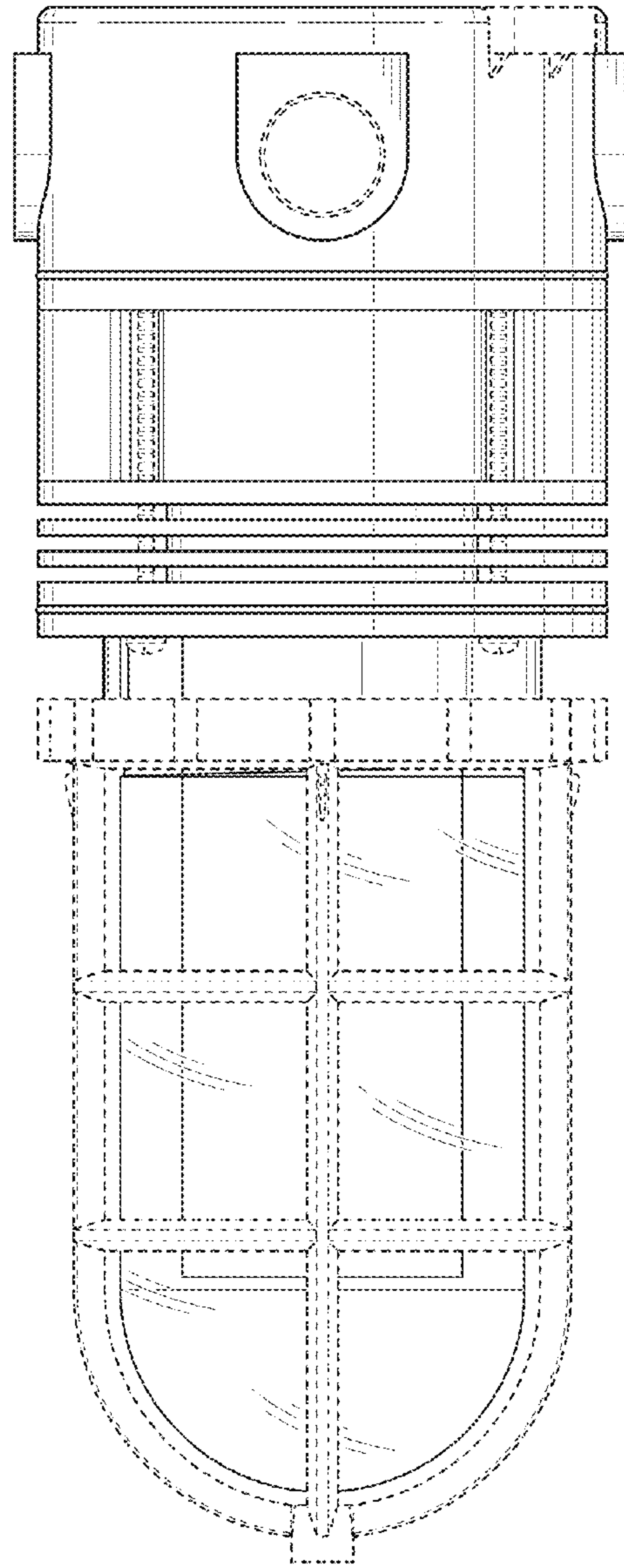


FIG. 3

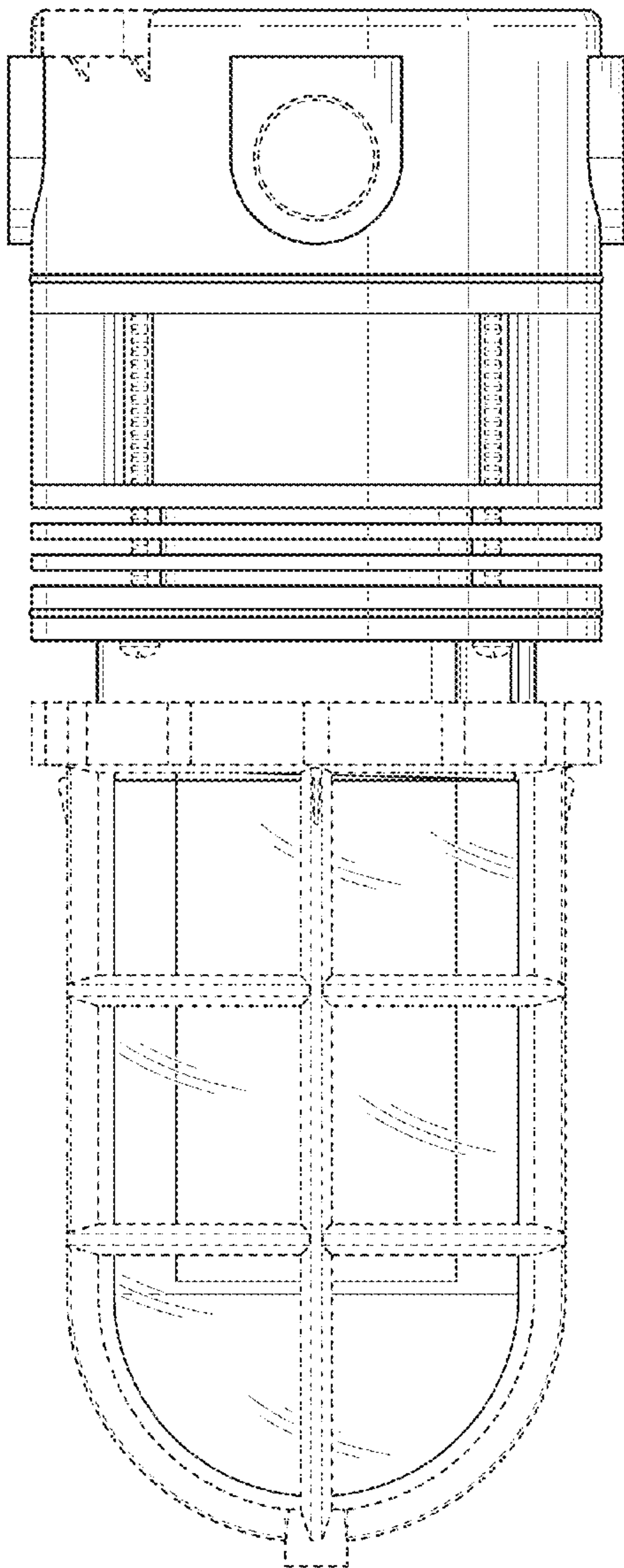


FIG. 4

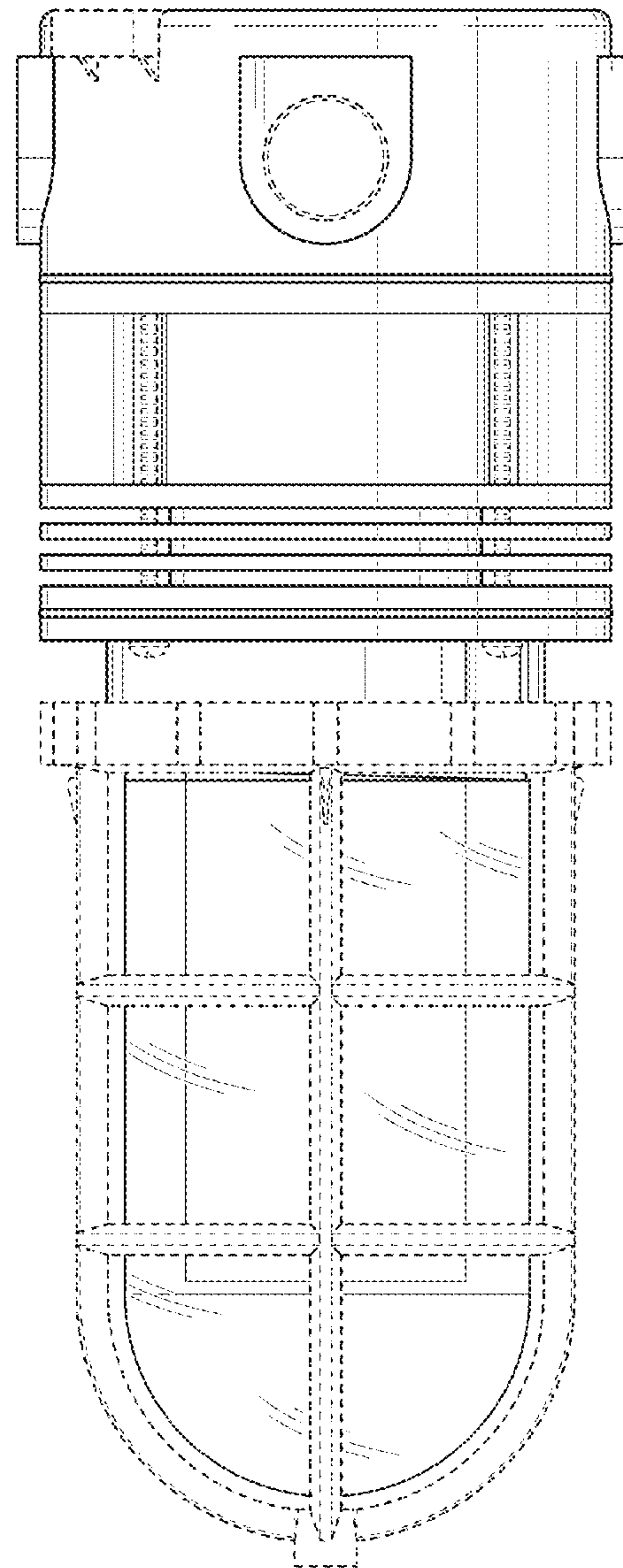


FIG. 5

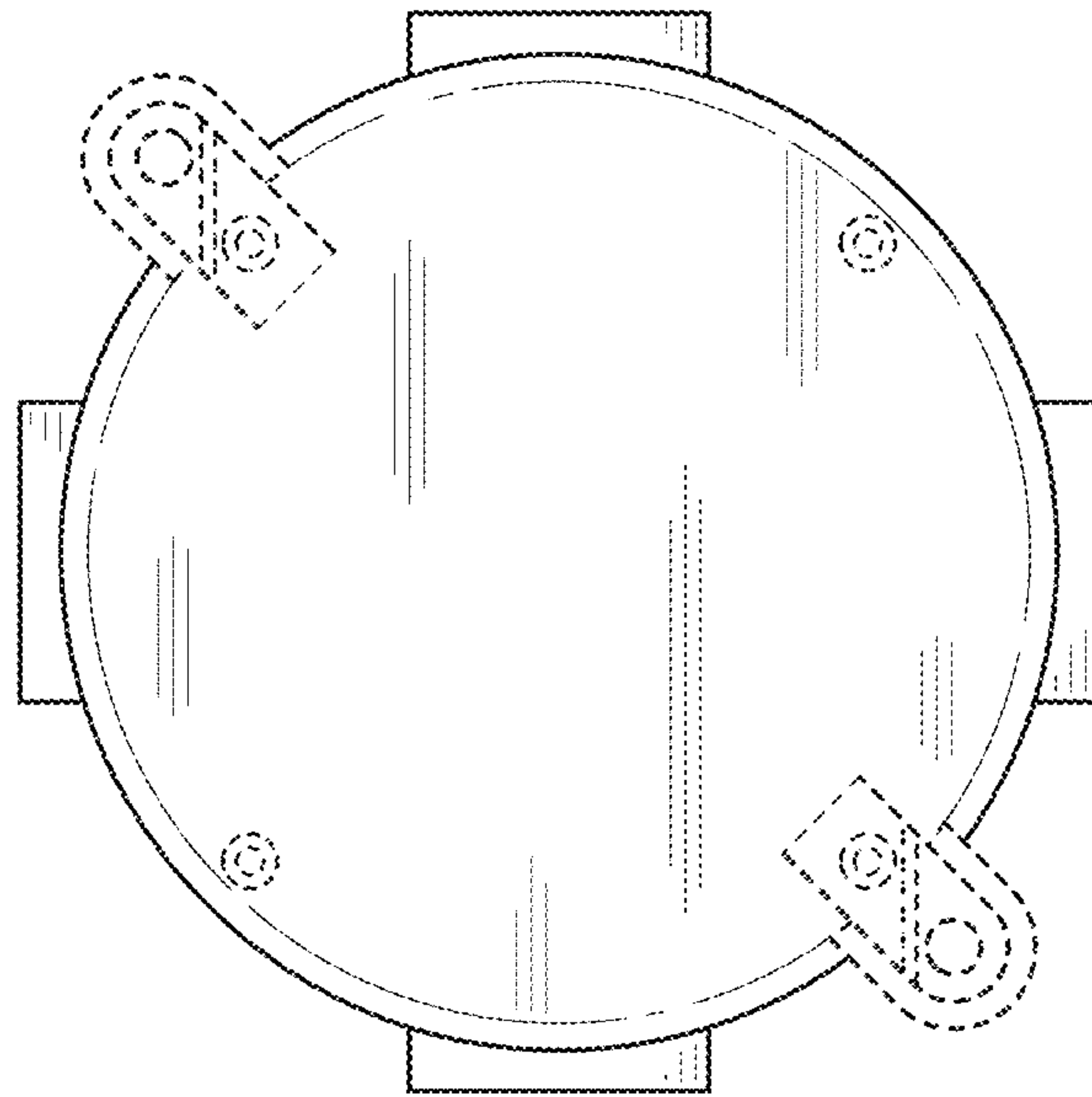


FIG. 6

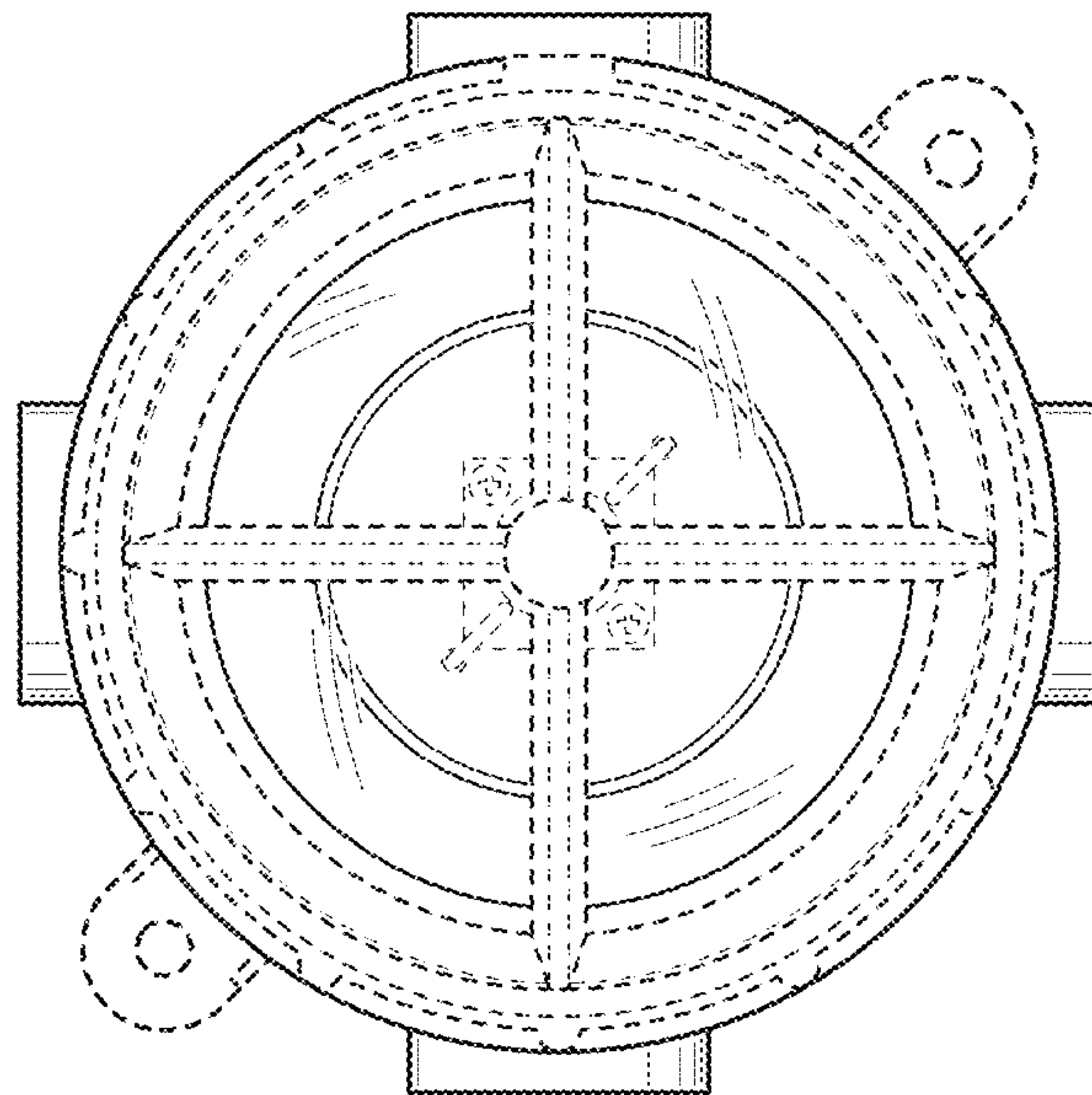


FIG. 7