



US00D767194S

(12) **United States Design Patent** (10) **Patent No.:** **US D767,194 S**
Lee (45) **Date of Patent:** **** Sep. 20, 2016**

(54) **RECESSED LUMINAIRE**

FOREIGN PATENT DOCUMENTS

(71) Applicant: **Siu Woo Lee**, Guangdong Province (CN)

CA 127765 6/2009
CA 128699 11/2009

(Continued)

(72) Inventor: **Siu Woo Lee**, Guangdong Province (CN)

Primary Examiner — Angela J Lee
(74) *Attorney, Agent, or Firm* — Klarquist Sparkman, LLP

(**) Term: **14 Years**

(57) **CLAIM**

I claim the ornamental design for a recessed luminaire, as shown and described.

(21) Appl. No.: **29/509,091**

DESCRIPTION

(22) Filed: **Nov. 13, 2014**

(30) **Foreign Application Priority Data**

Oct. 29, 2014 (CA) 159330

(51) **LOC (10) Cl.** **26-05**

(52) **U.S. Cl.**

USPC **D26/74**

(58) **Field of Classification Search**

USPC D26/74, 72, 75, 76, 77, 78, 85, 88, 89,
D26/118, 138, 141; 362/364, 365, 373, 145,
362/146, 147, 148, 150, 153, 153.1, 294,
362/296.01, 296.07, 296.08

CPC F21V 29/2262; F21V 7/06; F21V 21/044;
F21V 21/047; F21V 29/2212; F21V 29/2225;
F21V 29/2256; F21V 29/225; F21V 29/2268;
F21Y 2111/002; F21S 8/02; F21S 8/026

See application file for complete search history.

FIG. 1 is a front view of the recessed luminaire according to a first embodiment.

FIG. 2 is a right view of the recessed luminaire of FIG. 1.

FIG. 3 is a left view of the recessed luminaire of FIG. 1.

FIG. 4 is a rear view of the recessed luminaire of FIG. 1.

FIG. 5 is a top view of the recessed luminaire of FIG. 1.

FIG. 6 is a bottom view of the recessed luminaire of FIG. 1.

FIG. 7 is a perspective view of the recessed luminaire of FIG. 1.

FIG. 8 is a perspective view of the recessed luminaire of FIG. 1 shown mounted in a recessed luminaire holder.

FIG. 9 is a front view of the recessed luminaire according to a second embodiment.

FIG. 10 is a right view of the recessed luminaire of FIG. 9.

FIG. 11 is a left view of the recessed luminaire of FIG. 9.

FIG. 12 is a rear view of the recessed luminaire of FIG. 9.

FIG. 13 is a top view of the recessed luminaire of FIG. 9.

FIG. 14 is a bottom view of the recessed luminaire of FIG. 9; and,

FIG. 15 is a perspective view of the recessed luminaire of FIG. 9.

The components shown in broken lines in the drawings form part of the environment and do not form a part of the claimed design.

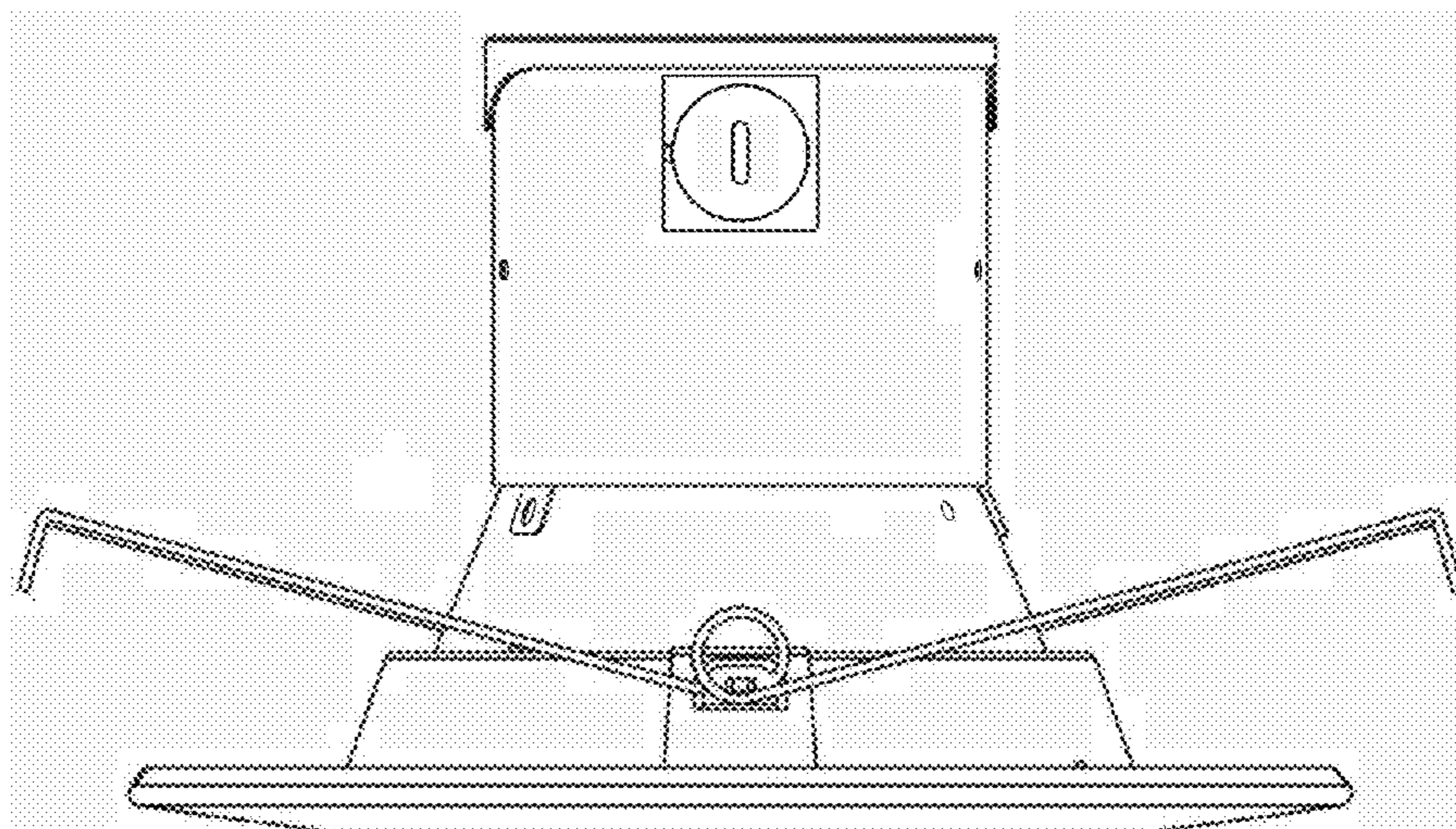
(56) **References Cited**

U.S. PATENT DOCUMENTS

D562,489 S * 2/2008 Rashidi D26/118
D601,293 S * 9/2009 MacKenzie D26/74

(Continued)

1 Claim, 15 Drawing Sheets



US D767,194 S

Page 2

(56)

References Cited

D704,371 S * 5/2014 Van De Ven D26/74
D739,590 S * 9/2015 Redfern D26/74

U.S. PATENT DOCUMENTS

D633,099 S * 2/2011 Van de Ven D15/1
D655,436 S * 3/2012 Johnson D26/74
D665,117 S * 8/2012 Yoshida D26/74
D674,127 S * 1/2013 Rowlette, Jr. D26/74
D698,068 S * 1/2014 Rashidi D26/74
D698,070 S * 1/2014 Messisaen D26/74
D698,071 S * 1/2014 Messiaen D26/74

FOREIGN PATENT DOCUMENTS

CA 146218 5/2013
CA 147288 6/2013
CA 151688 8/2014
CA 157365 8/2014

* cited by examiner

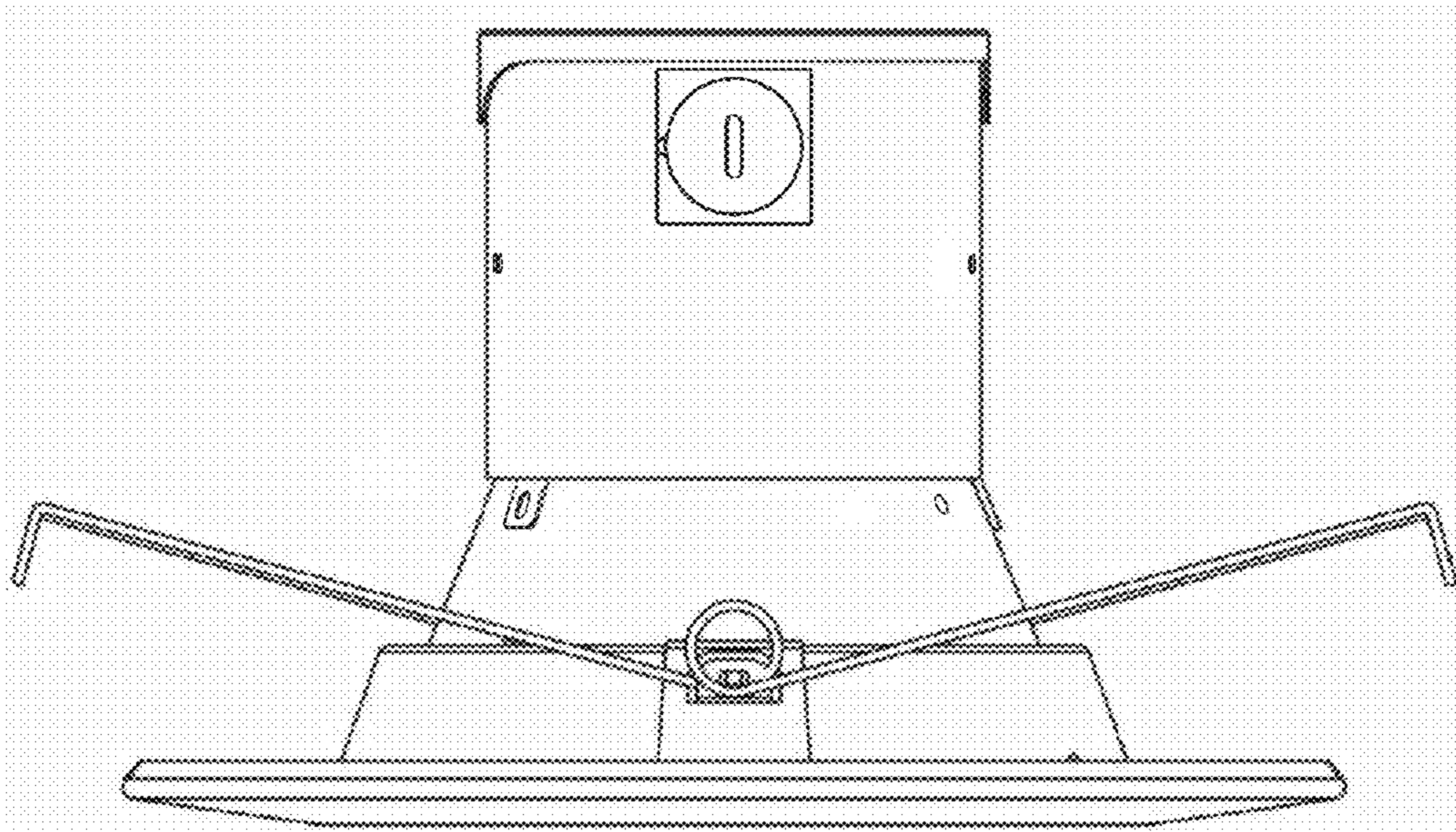


FIG. 1

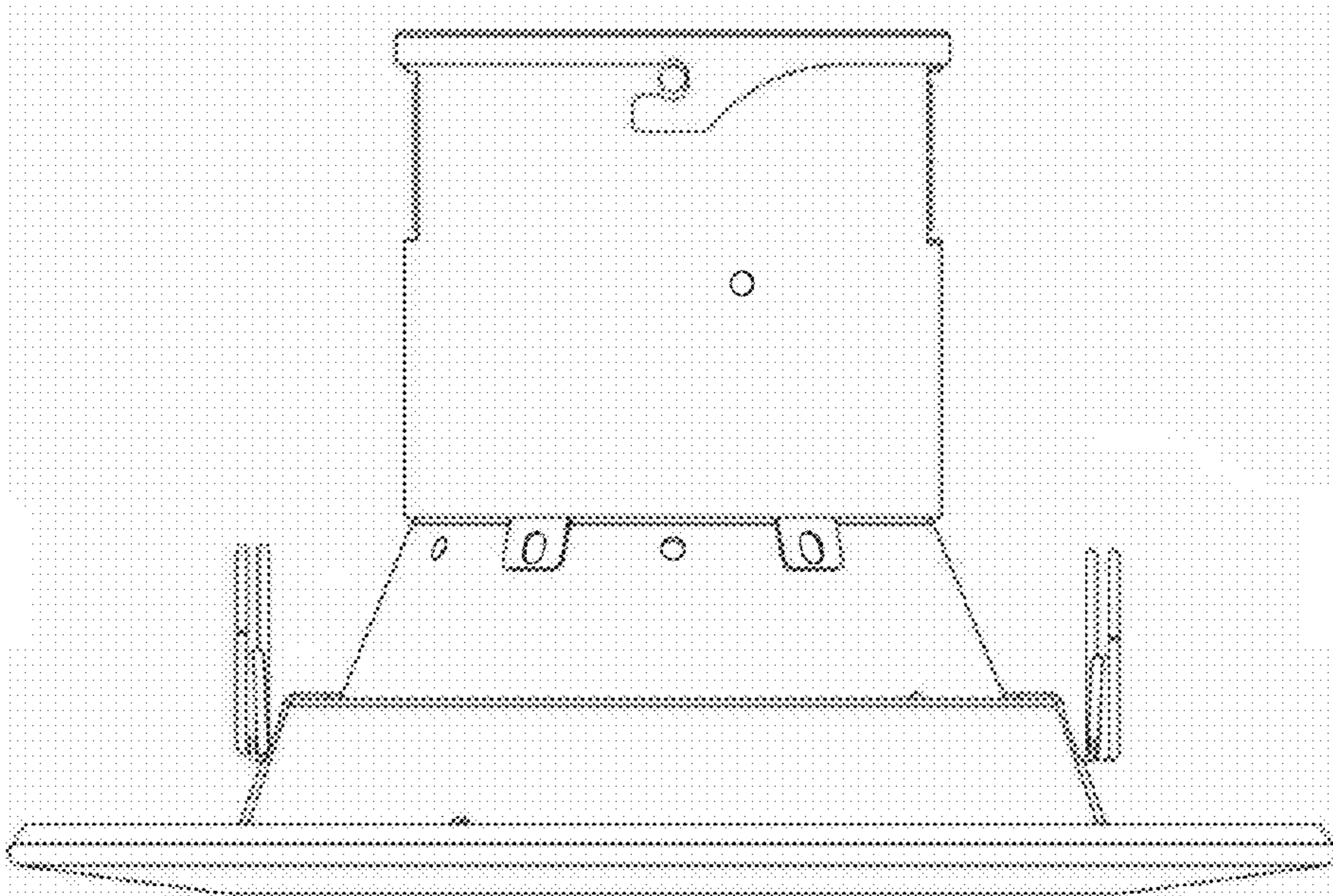


FIG. 2

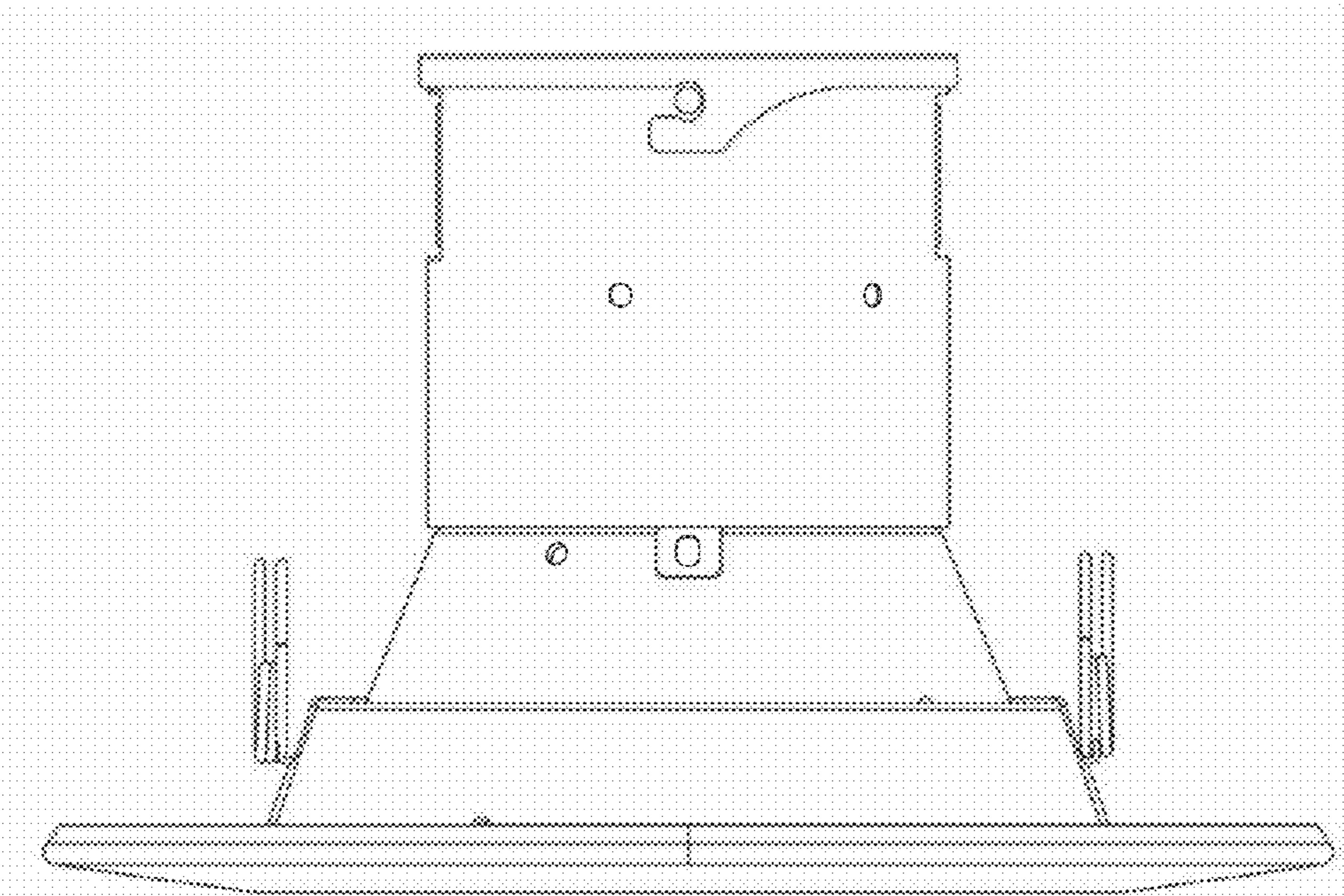


FIG. 3

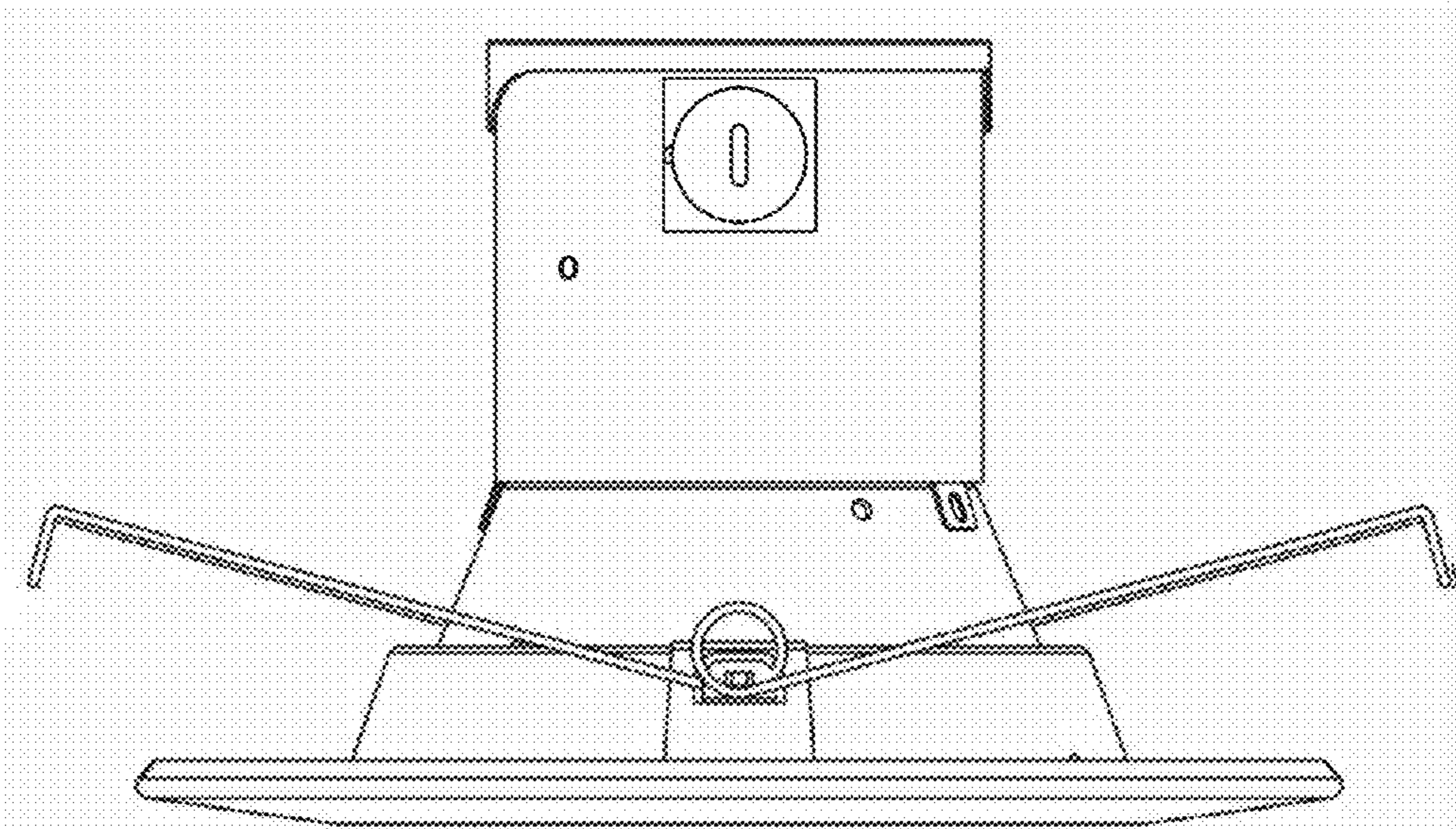


FIG. 4

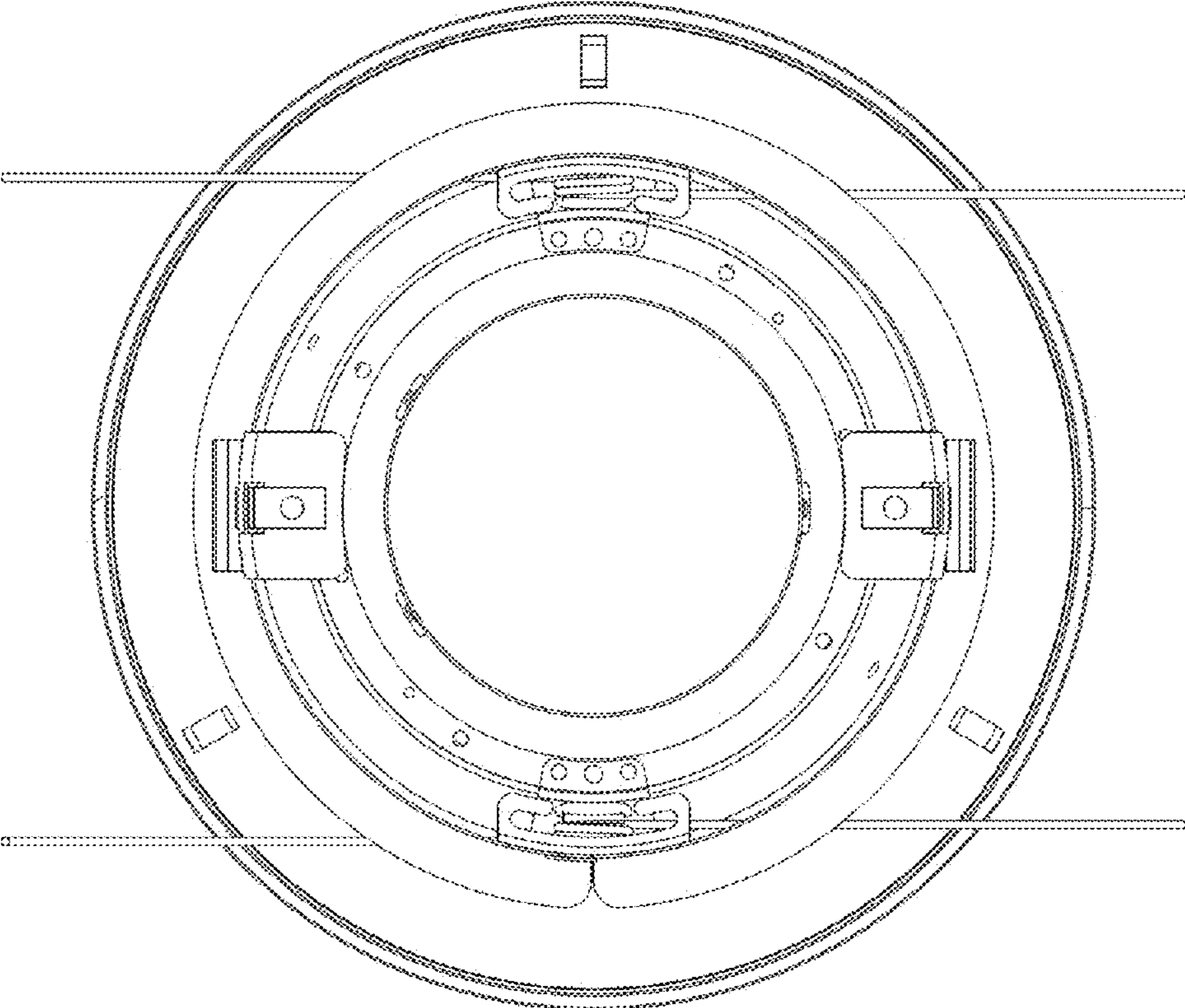


FIG. 5

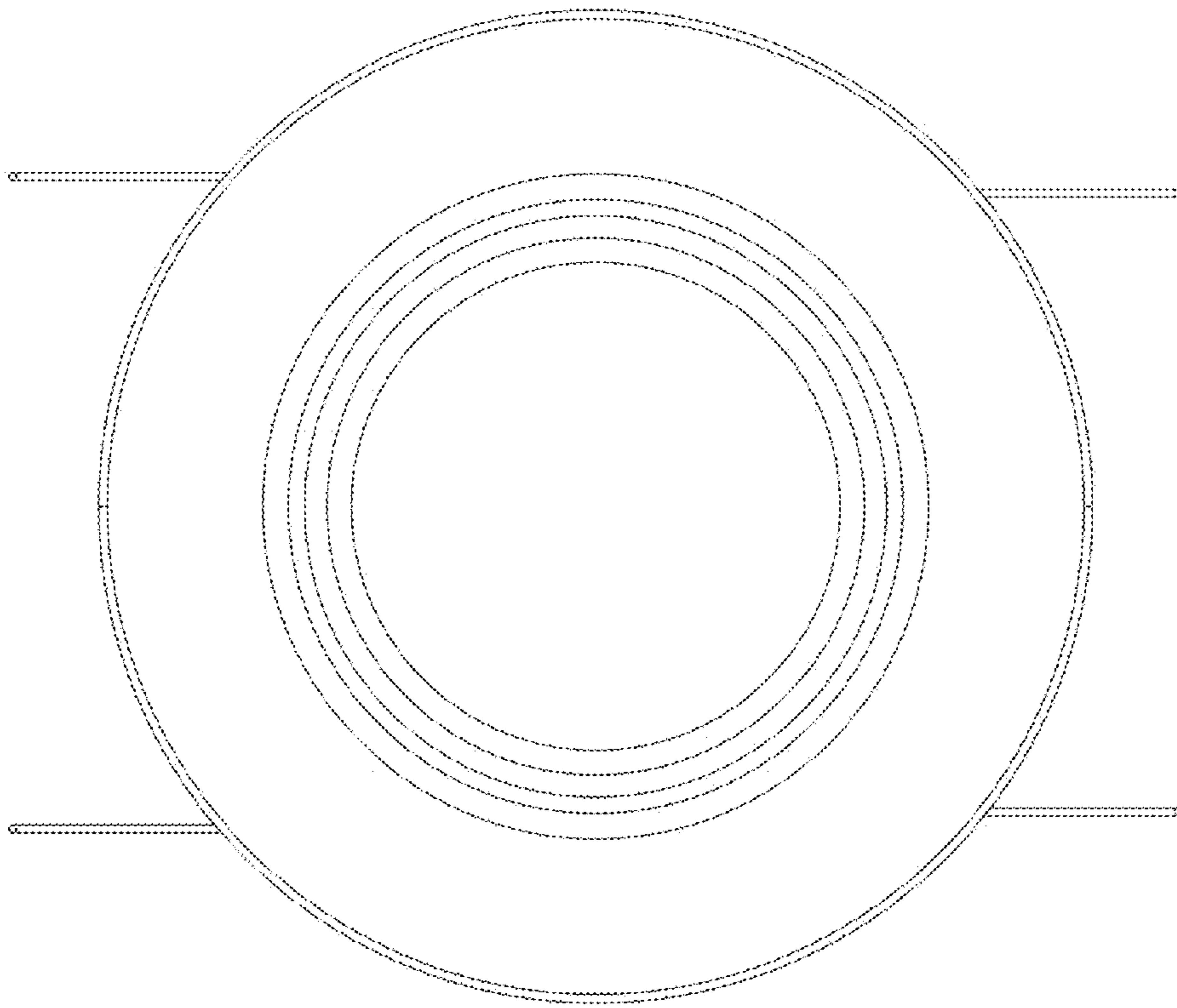


FIG. 6

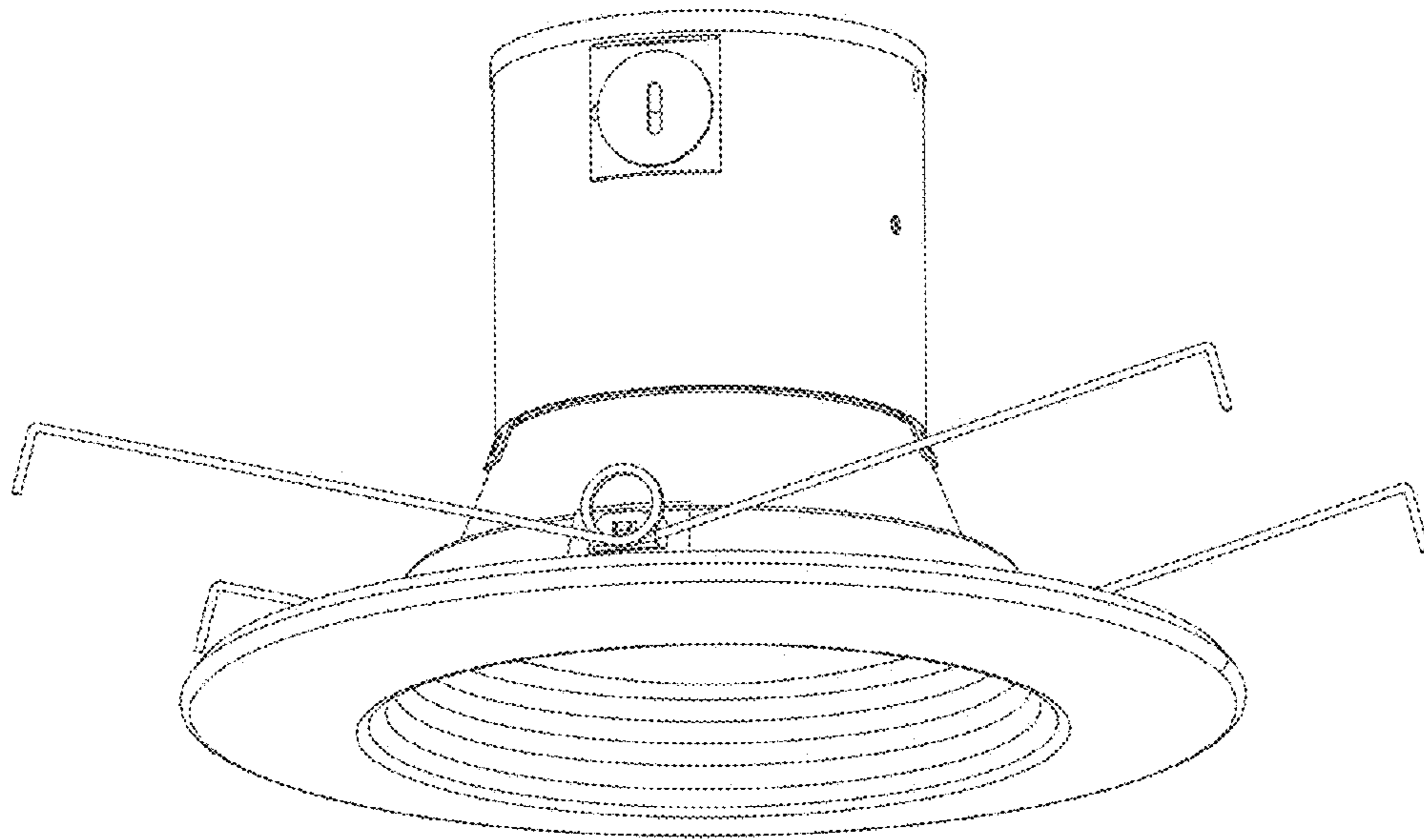


FIG. 7

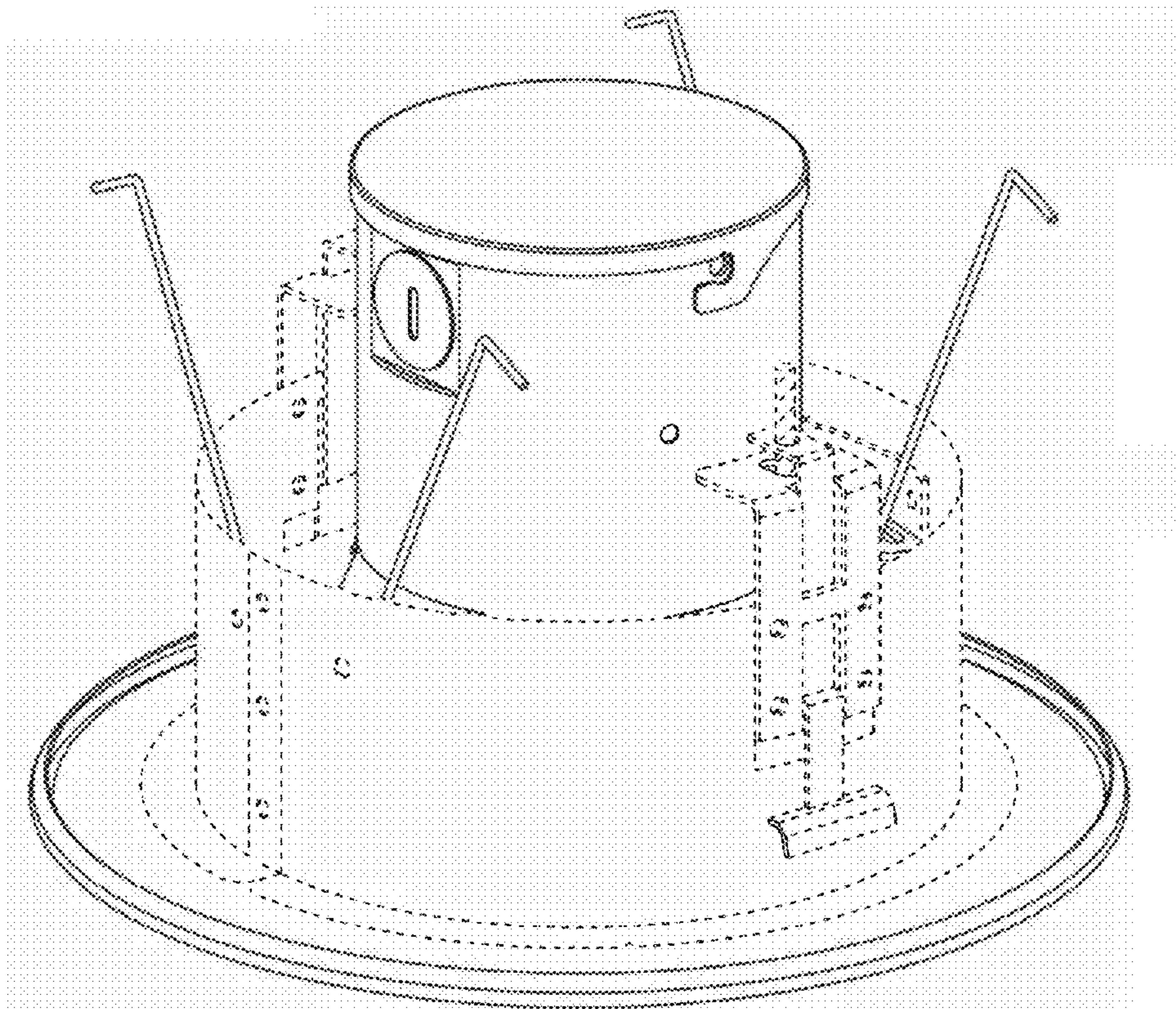


FIG. 8

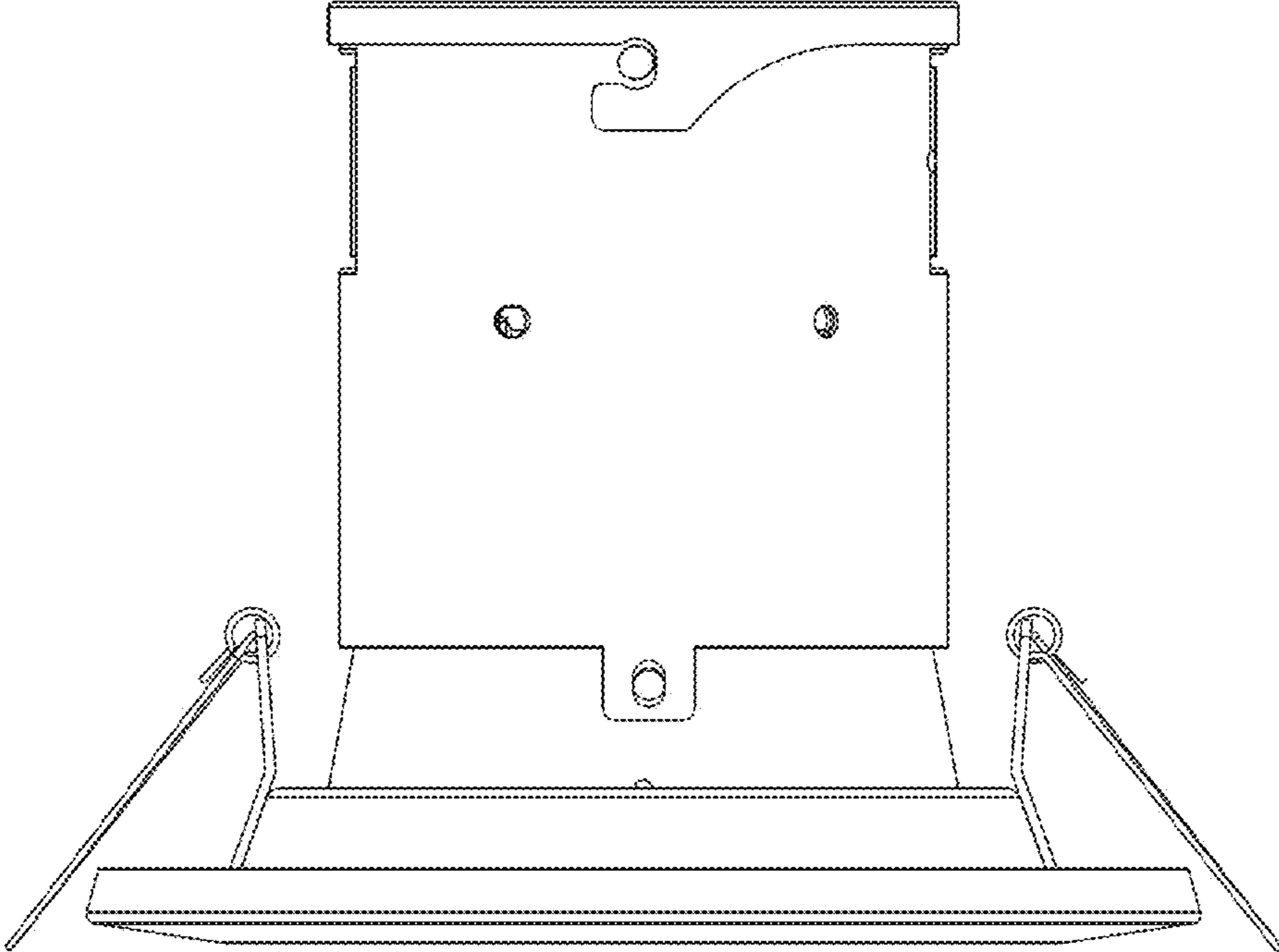


FIG. 9

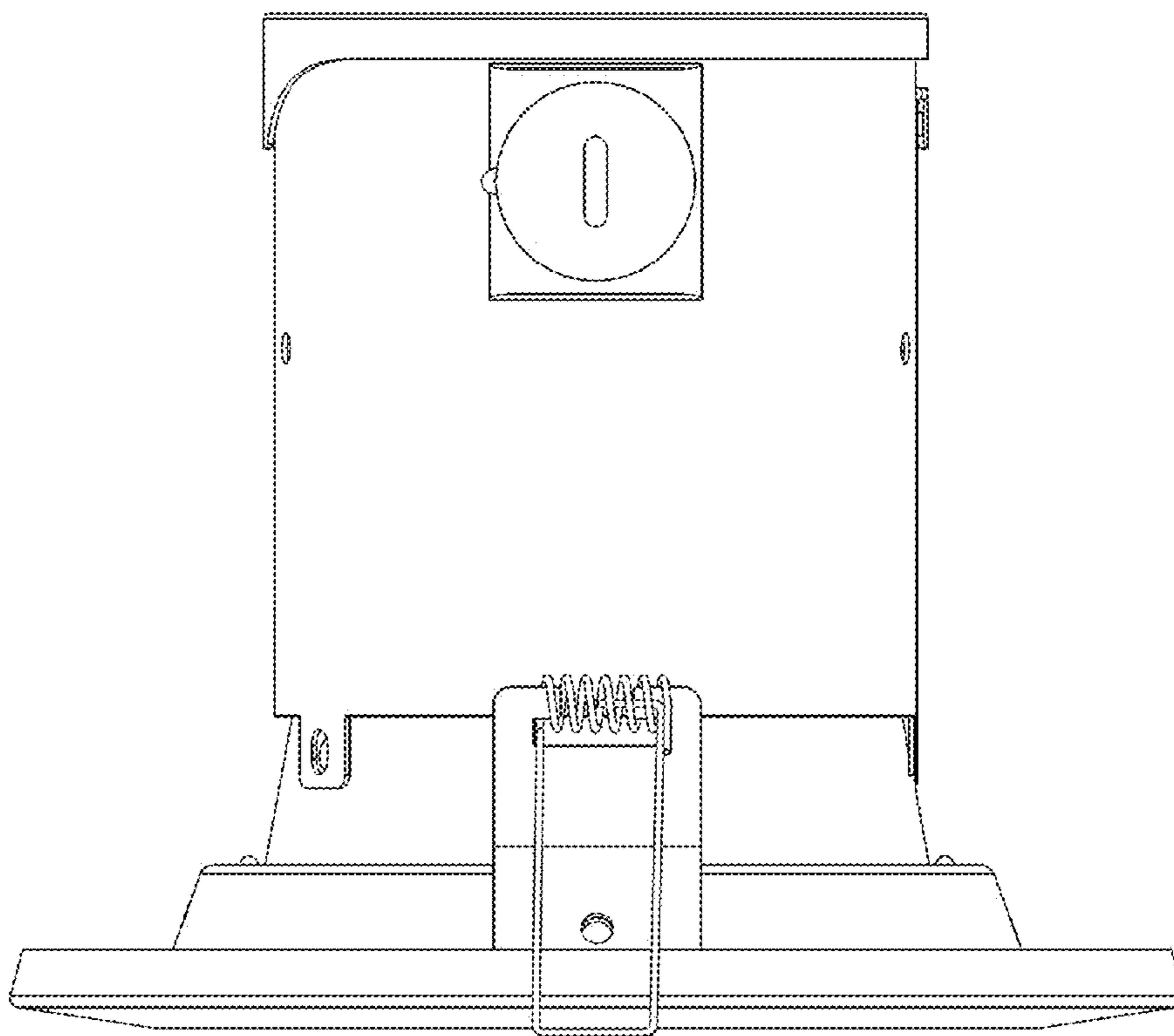


FIG. 10

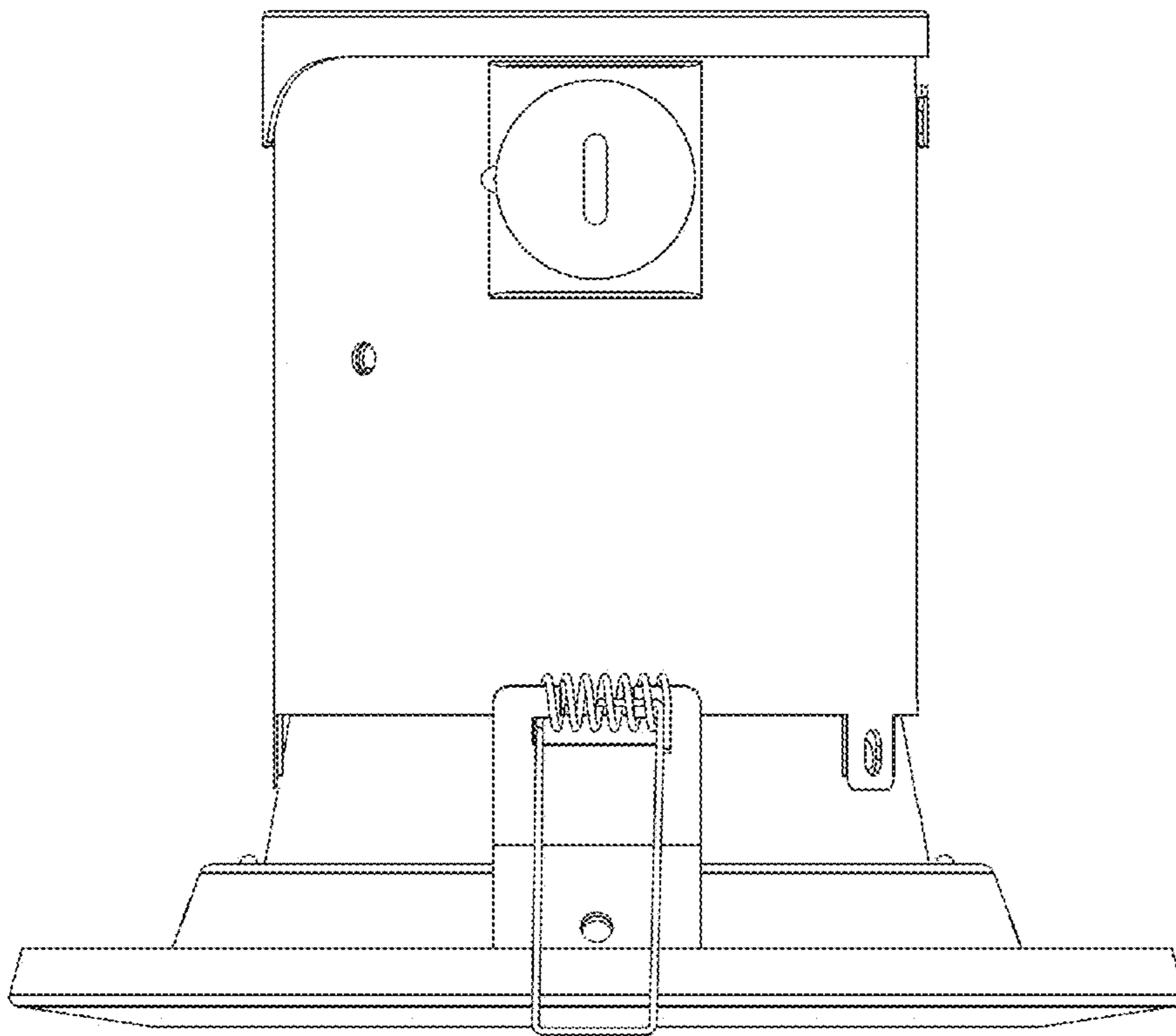


FIG. 11

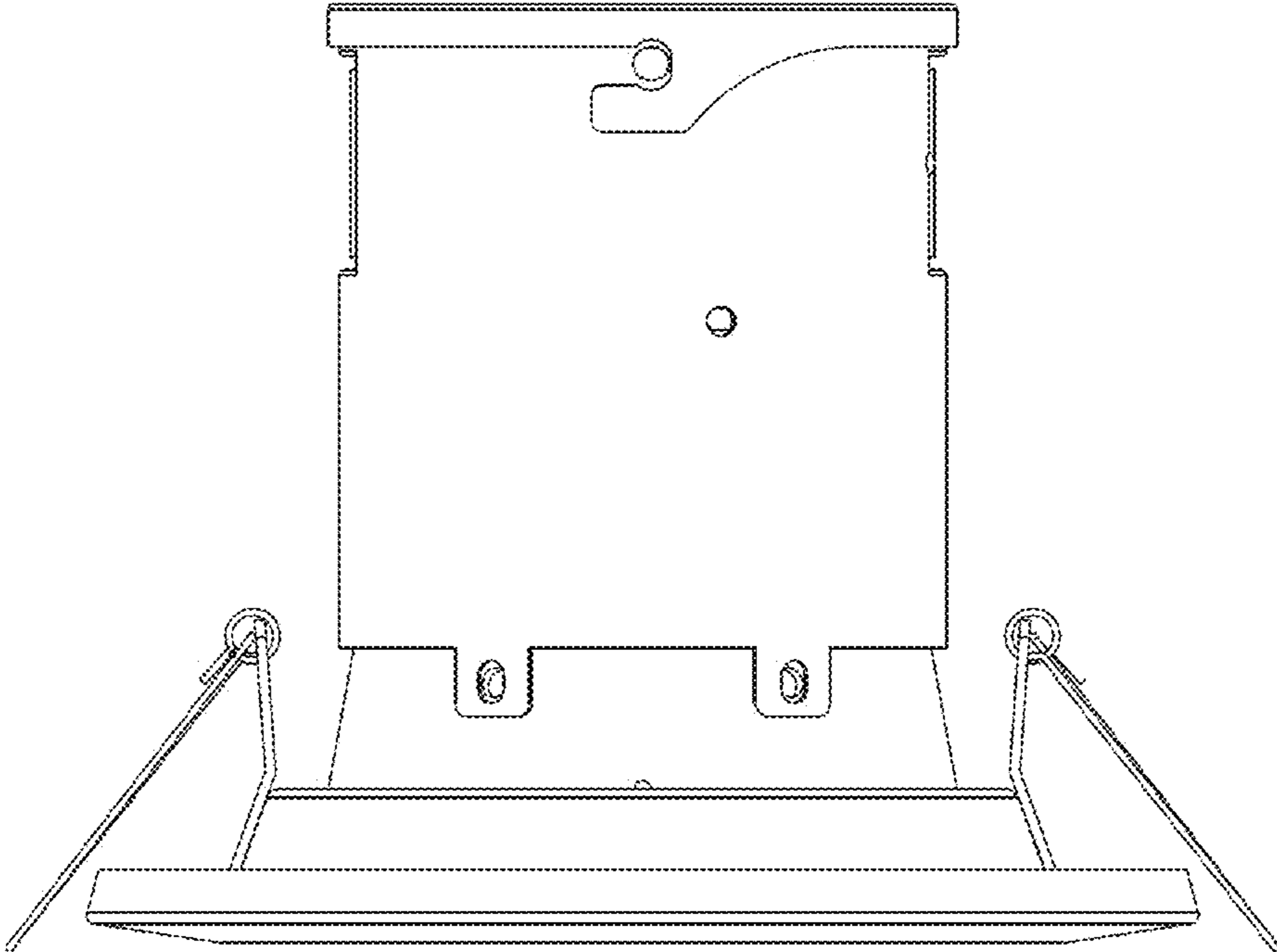


FIG. 12

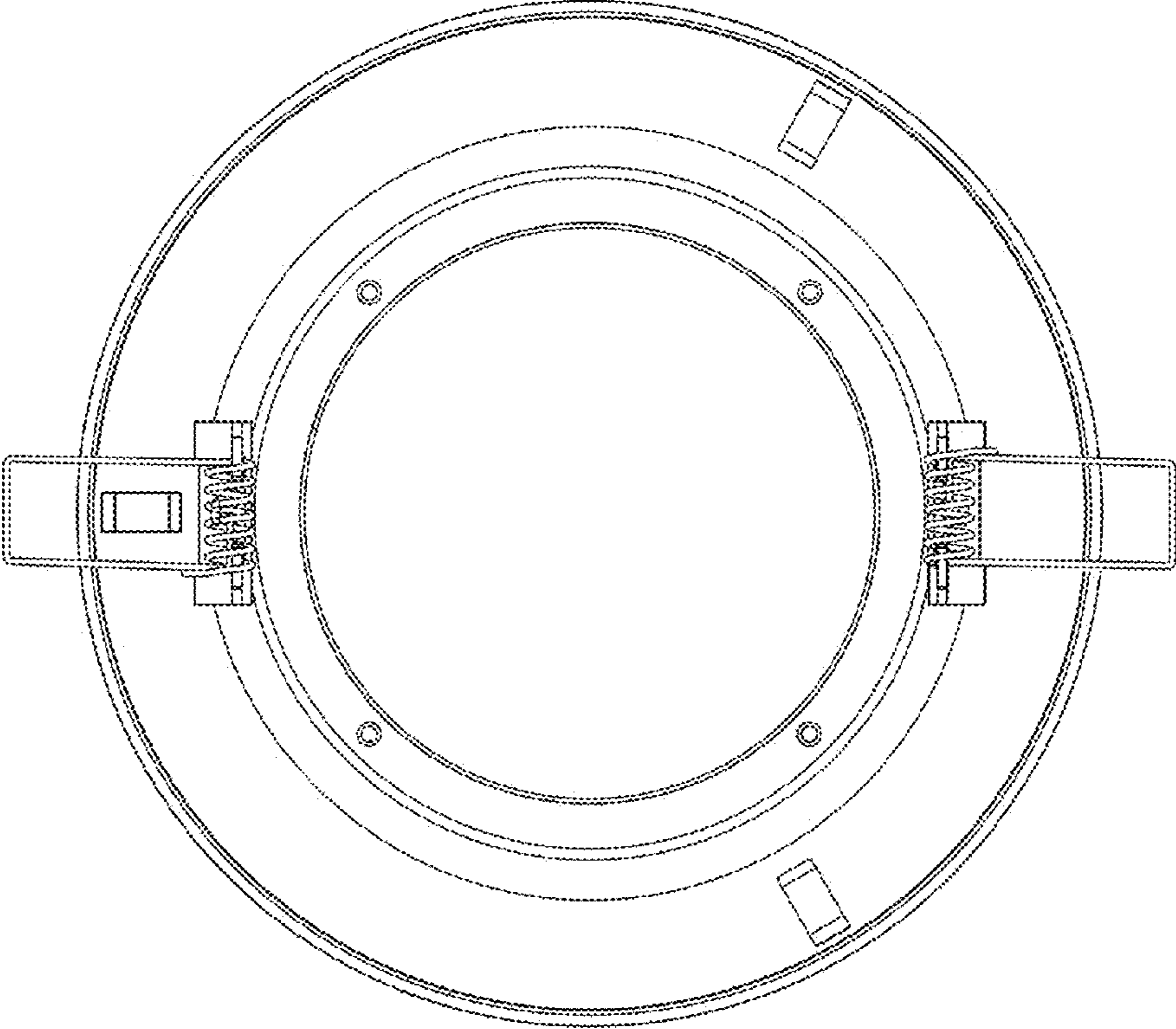


FIG. 13

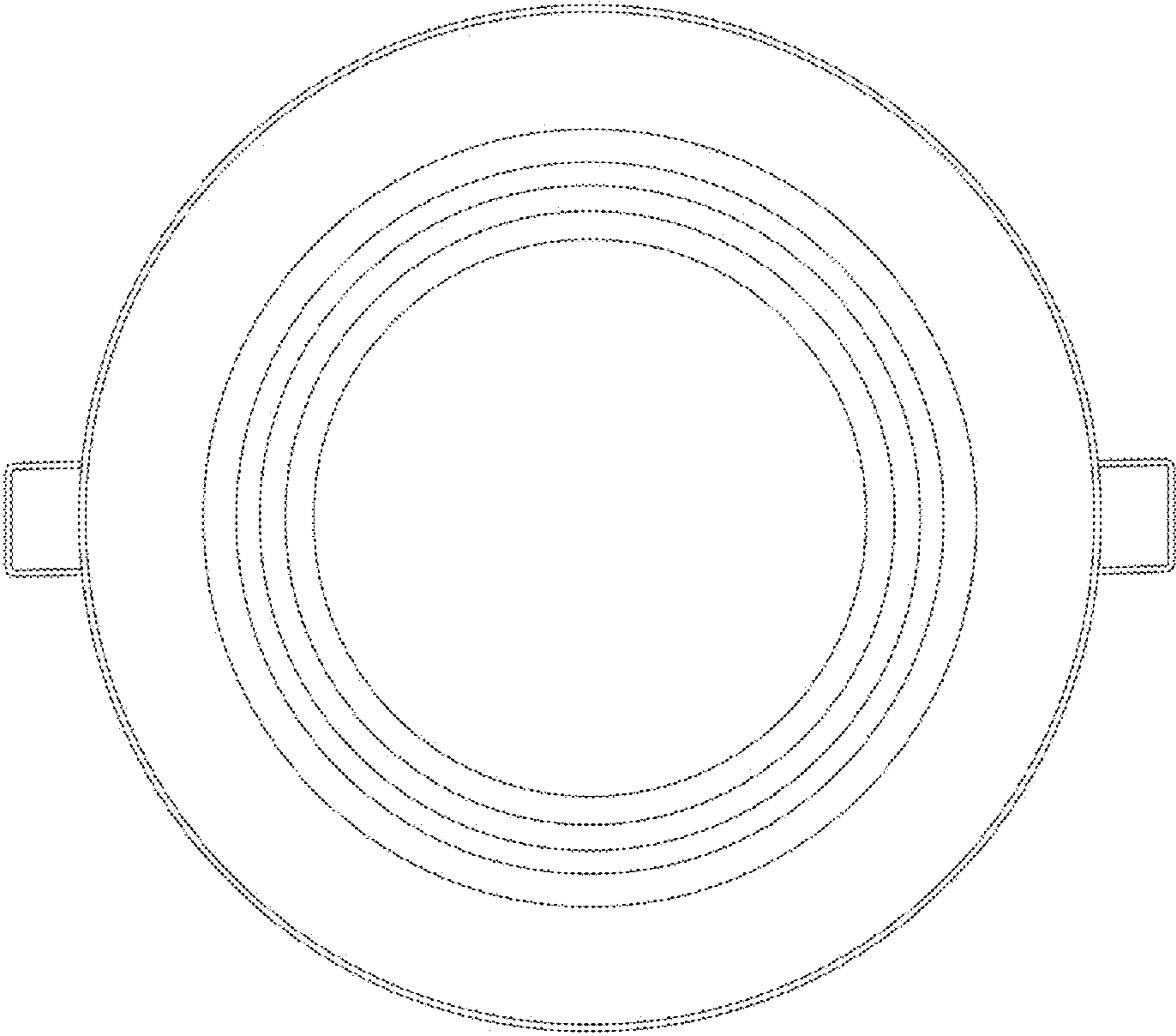


FIG. 14

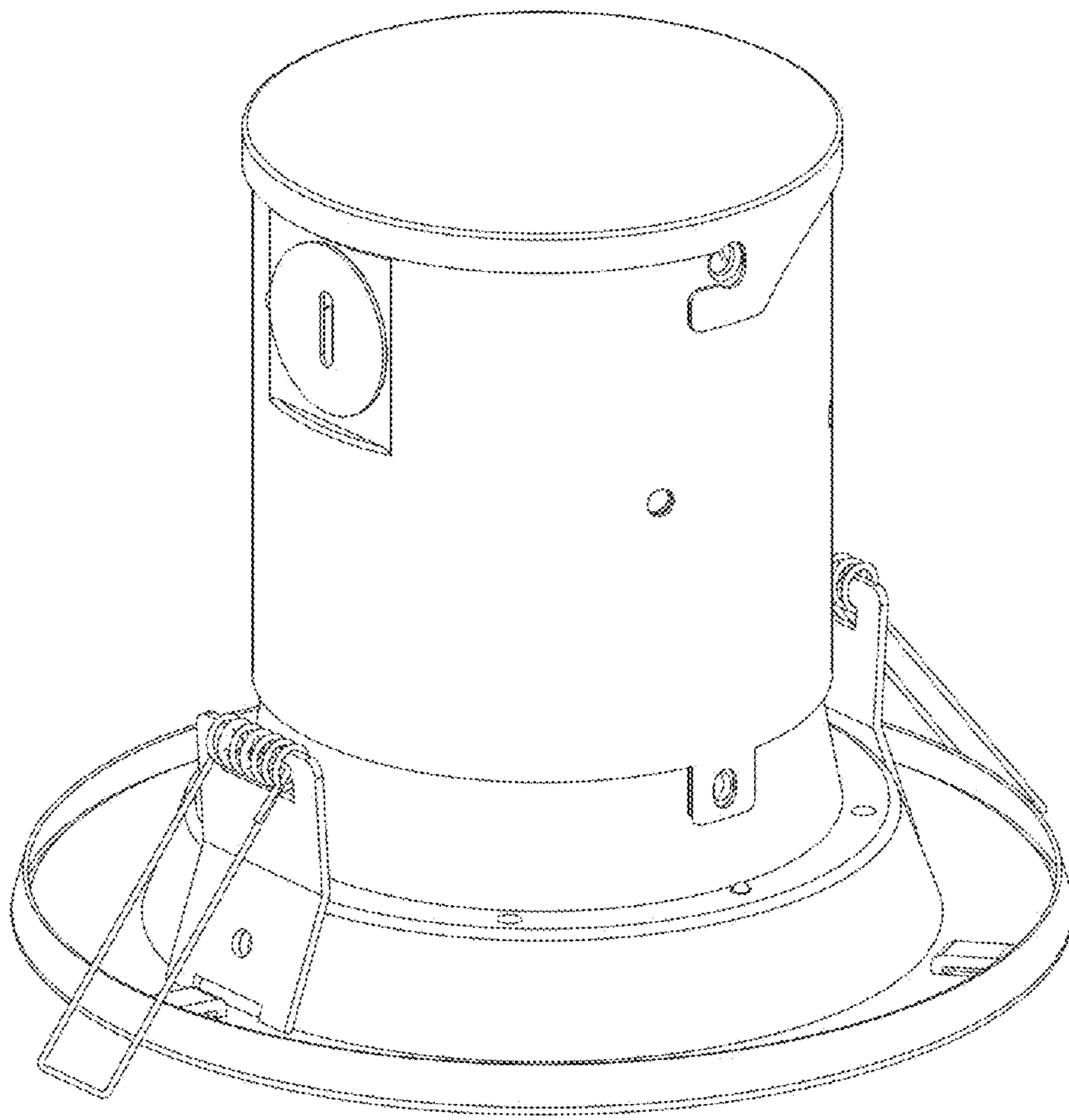


FIG. 15