



US00D767192S

(12) **United States Design Patent**  
**Cai et al.**

(10) **Patent No.:** **US D767,192 S**

(45) **Date of Patent:** **\*\* Sep. 20, 2016**

(54) **LIGHT**

(71) Applicant: **NINGBO YUSING OPTOELECTRONIC TECHNOLOGY CO., LTD.**, Ningbo, Zhejiang (CN)

(72) Inventors: **Xiaoyu Cai**, Ningbo (CN); **Liang Zhang**, Ningbo (CN)

(73) Assignee: **NINGBO YUSING OPTOELECTRONIC TECHNOLOGY CO., LTD.**, Ningbo (CN)

(\*\*) Term: **14 Years**

(21) Appl. No.: **29/519,794**

(22) Filed: **Mar. 9, 2015**

(51) **LOC (10) Cl.** ..... **26-03**

(52) **U.S. Cl.**  
USPC ..... **D26/63**

(58) **Field of Classification Search**  
USPC ..... D26/1, 24, 61, 63, 65, 85, 92  
CPC ..... F21V 21/14; F21V 15/01; F21V 14/02;  
F21V 21/30; F21V 21/00; F21V 14/00;  
F21S 8/00; F21S 8/003; F21S 8/043; F21Y  
2105/001

See application file for complete search history.

(56) **References Cited**

U.S. PATENT DOCUMENTS

D589,636 S *	3/2009	Pinette	.....	D26/63
D598,595 S *	8/2009	Levine	.....	D26/63
D698,476 S *	1/2014	Korpi	.....	D26/63
D733,345 S *	6/2015	Recker	.....	D26/63
D736,443 S *	8/2015	Weyse	.....	D26/63
D747,524 S *	1/2016	Jacq	.....	D26/63

\* cited by examiner

*Primary Examiner* — Brian N Vinson

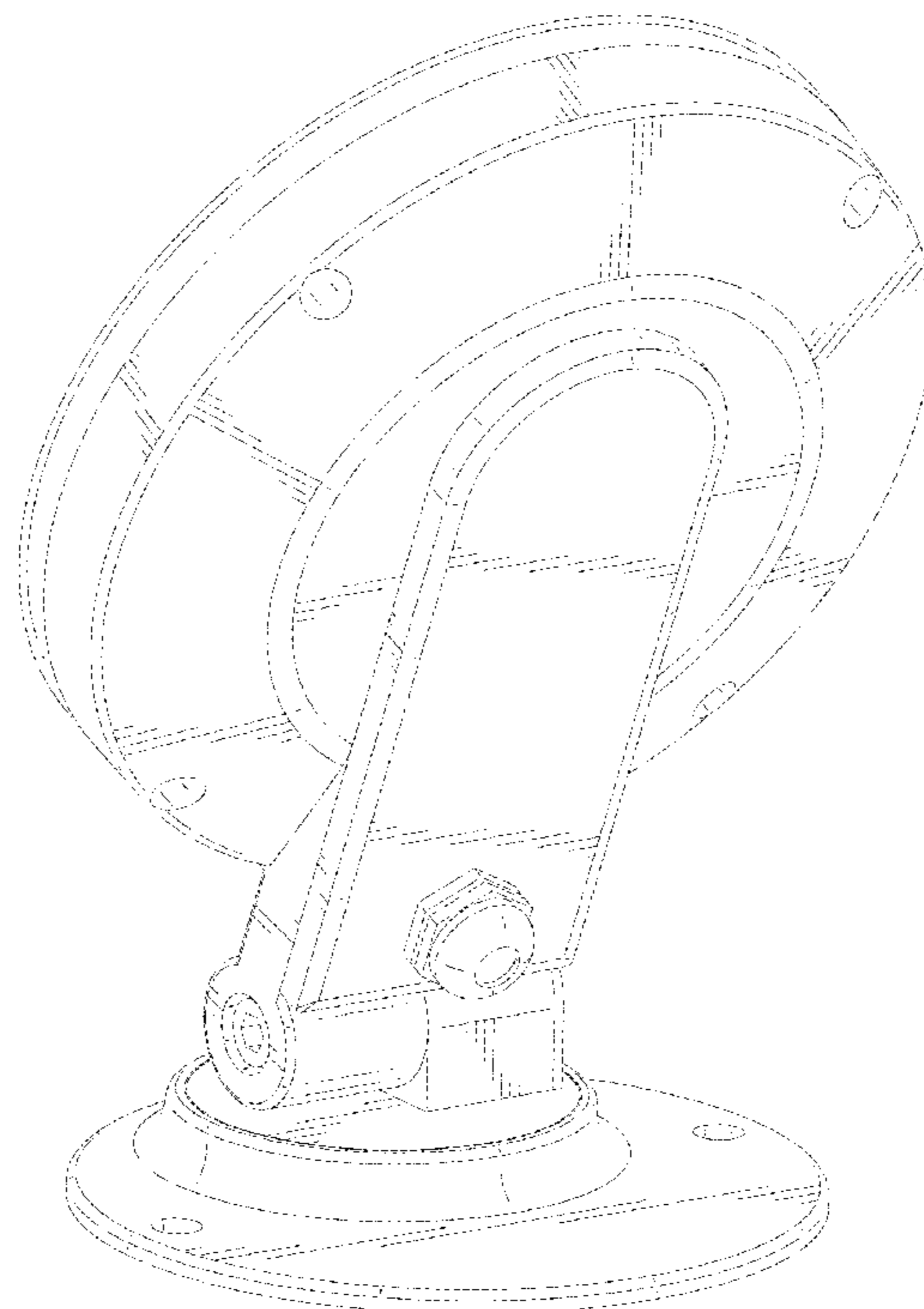
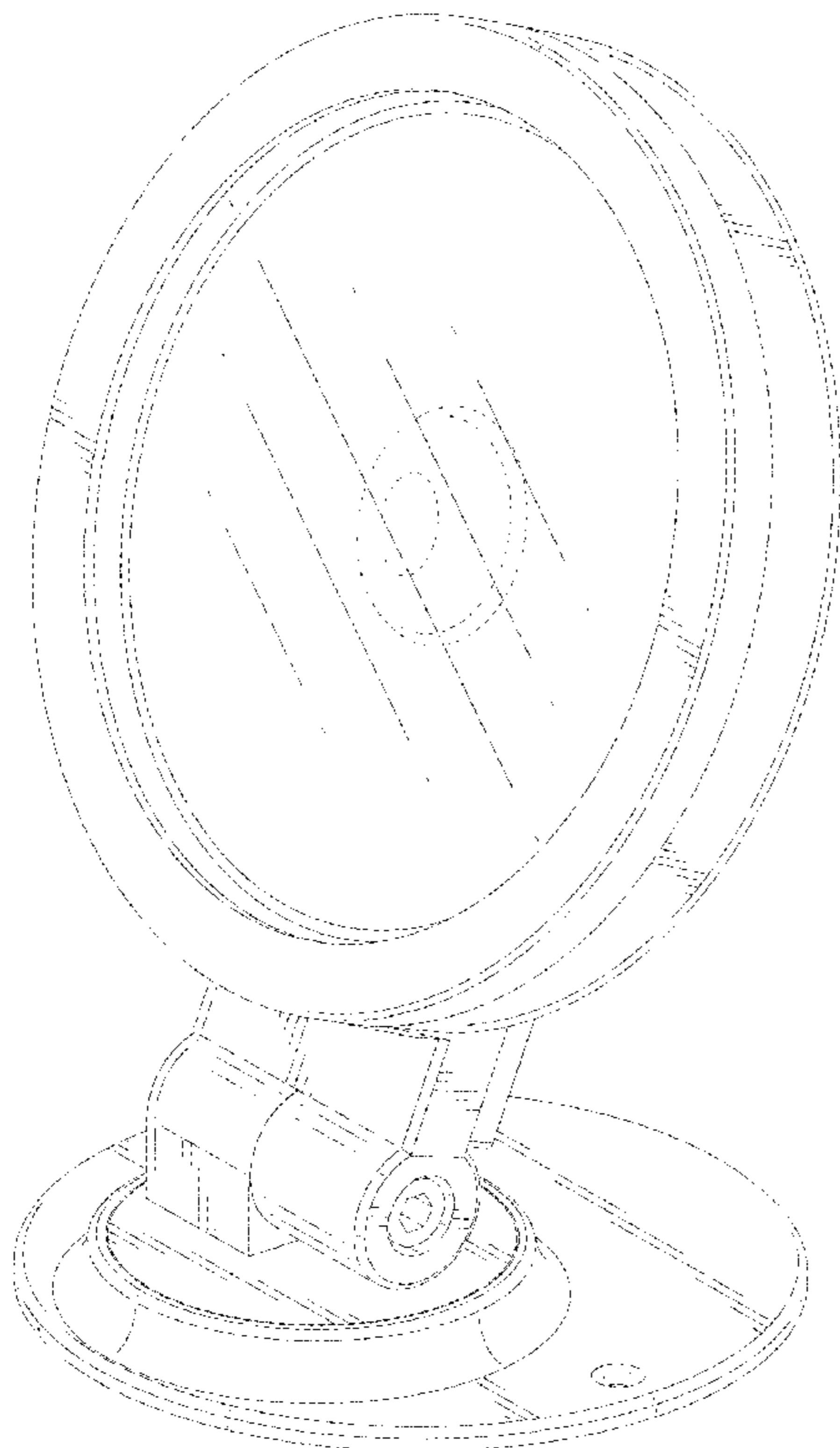
(57) **CLAIM**

The ornamental design for a light, as shown and described.

**DESCRIPTION**

FIG. 1 is a front elevational view of a light showing our new design;  
FIG. 2 is a rear elevational view thereof;  
FIG. 3 is a left side view thereof;  
FIG. 4 is a right side view thereof;  
FIG. 5 is a top plan view thereof;  
FIG. 6 is a bottom plan view thereof;  
FIG. 7 is a first perspective view thereof; and,  
FIG. 8 is a second perspective view thereof.  
The broken lines represent portions of the light which form no part of the claimed design.

**1 Claim, 8 Drawing Sheets**



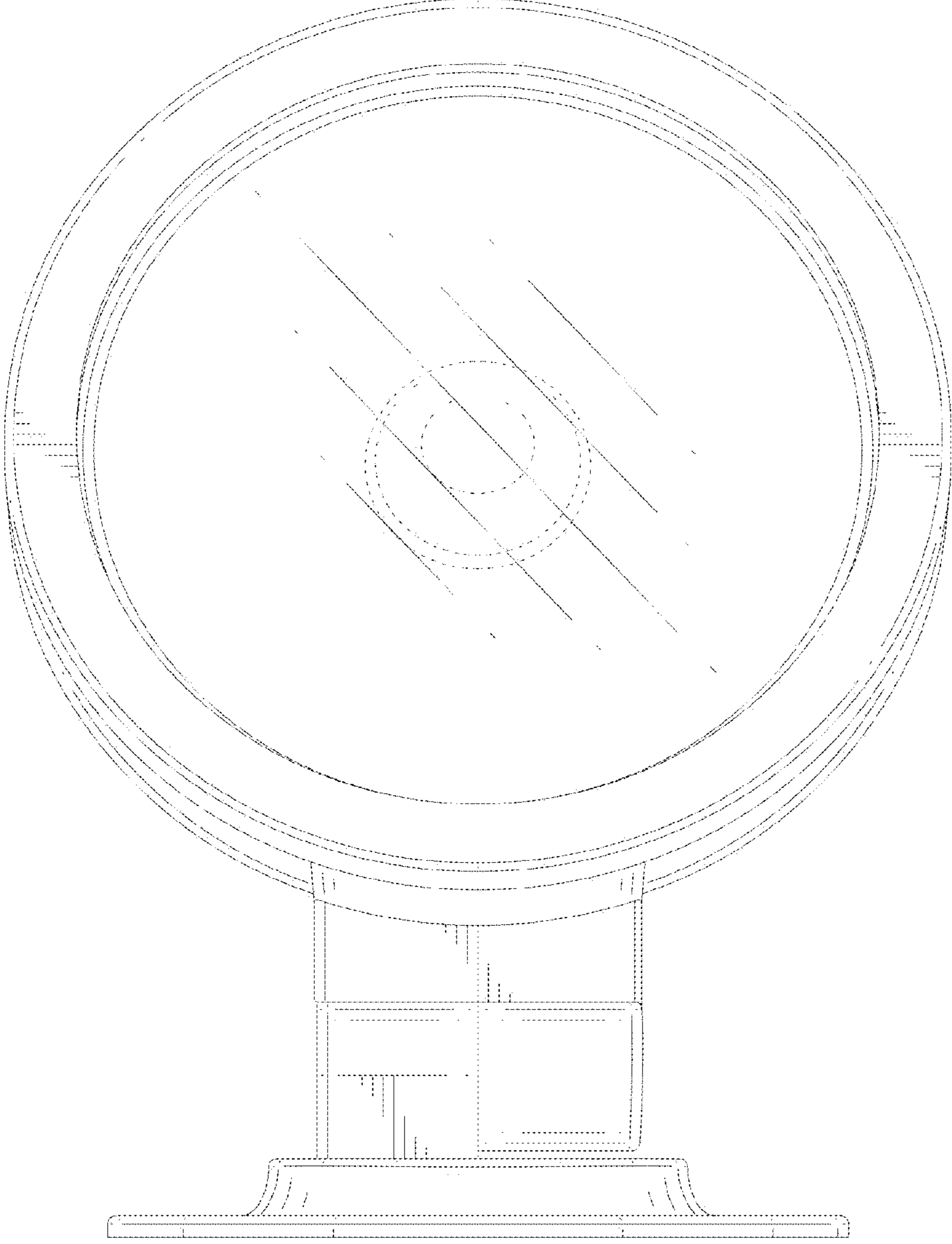


FIG. 1

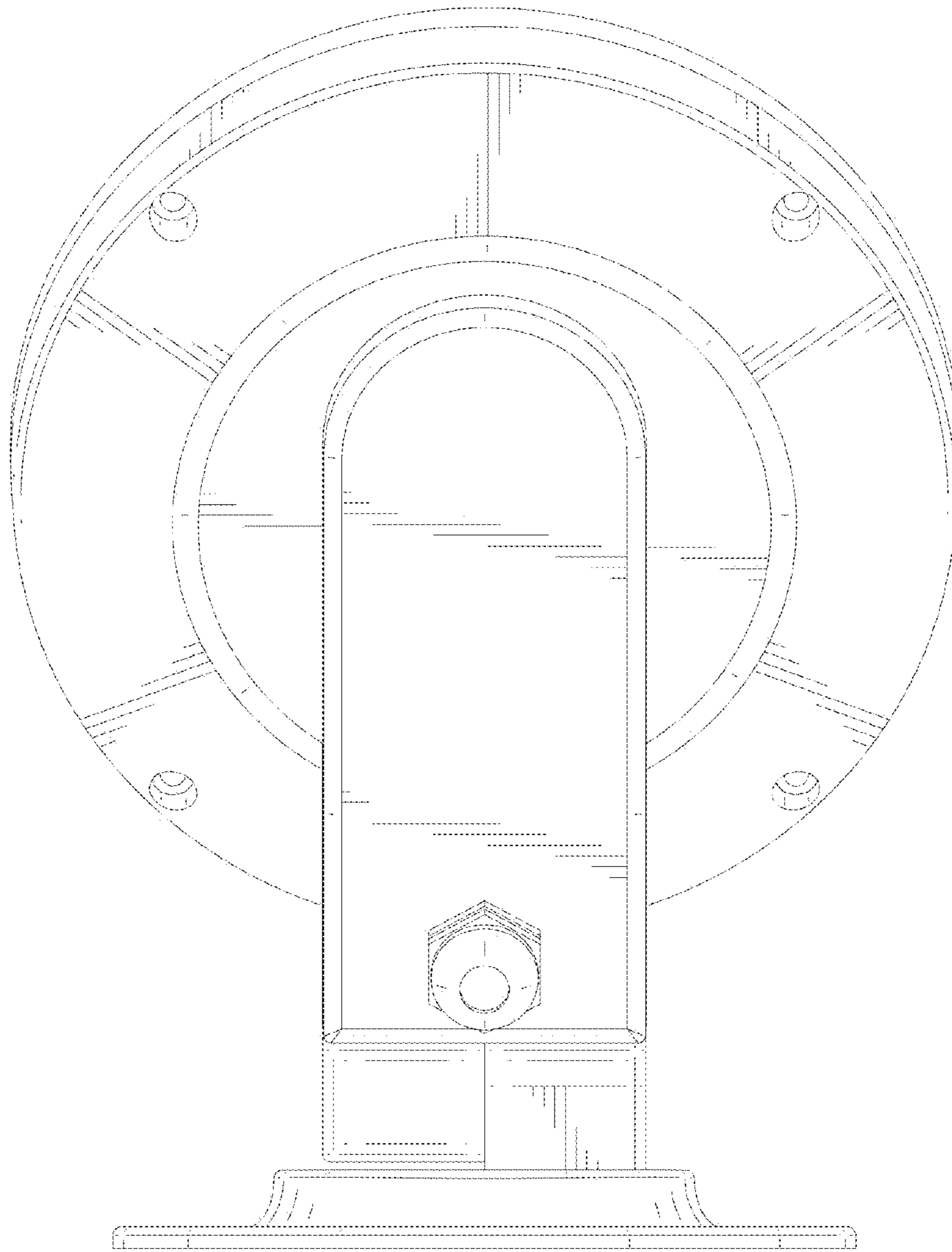


FIG.2

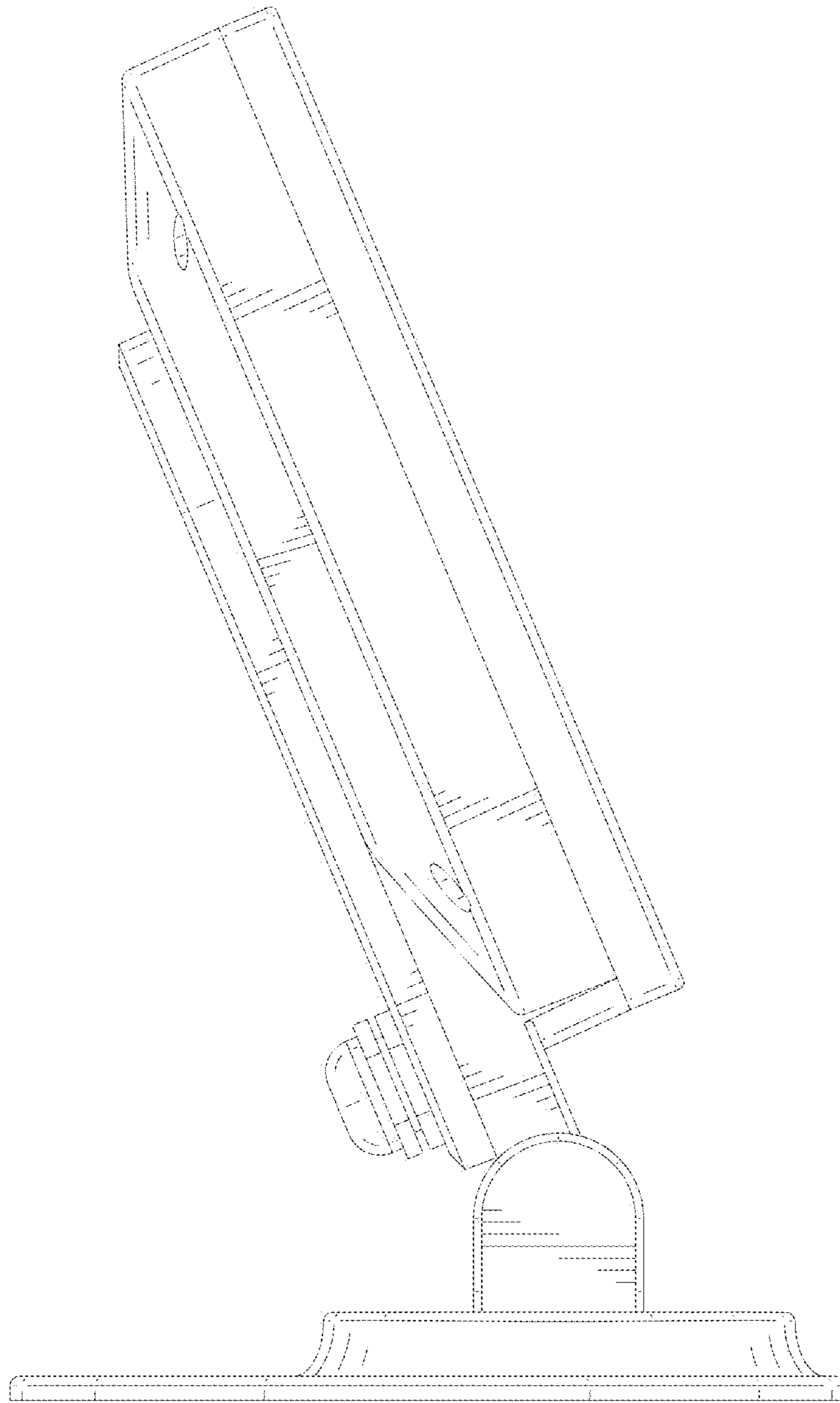


FIG.3

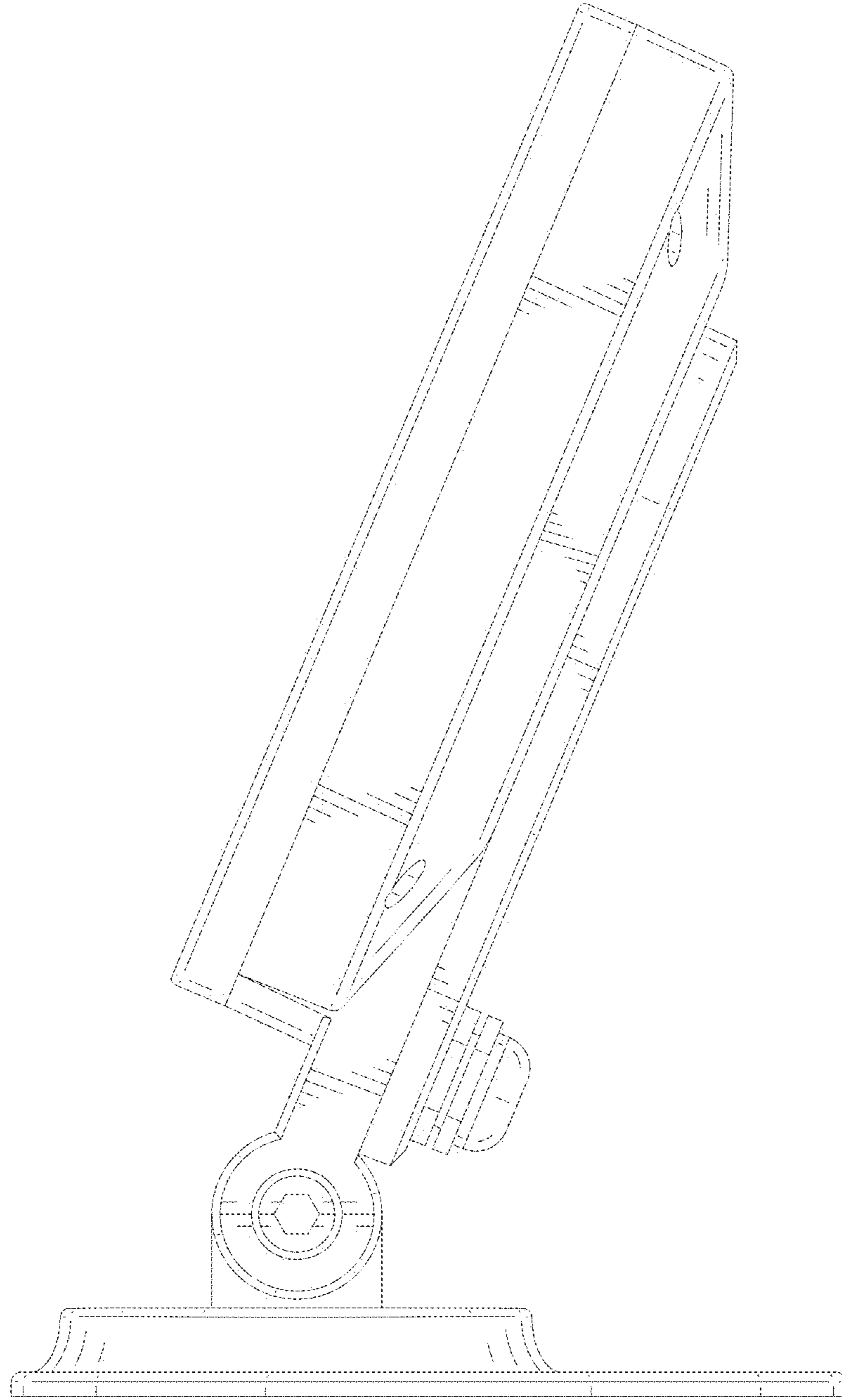


FIG.4

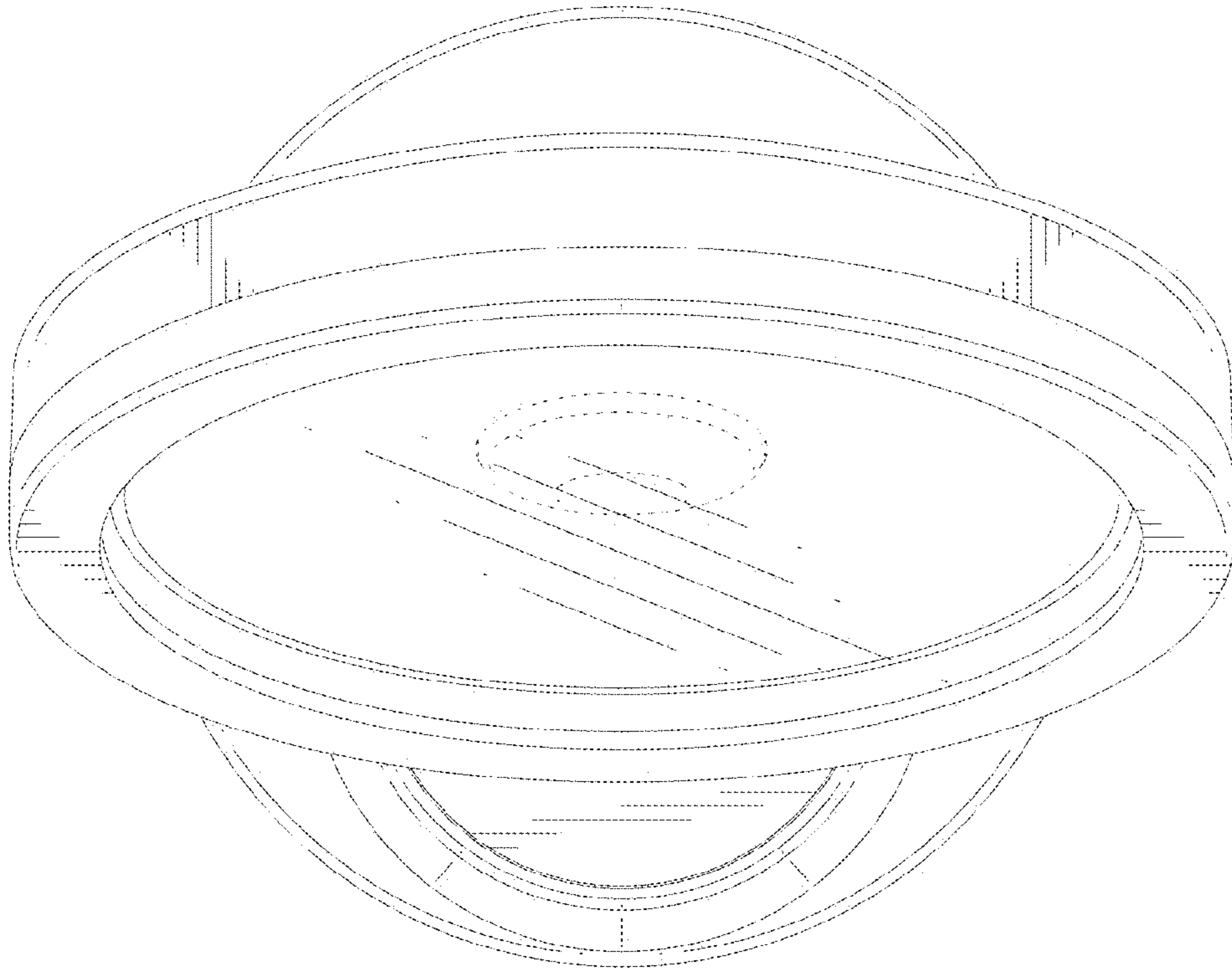


FIG.5

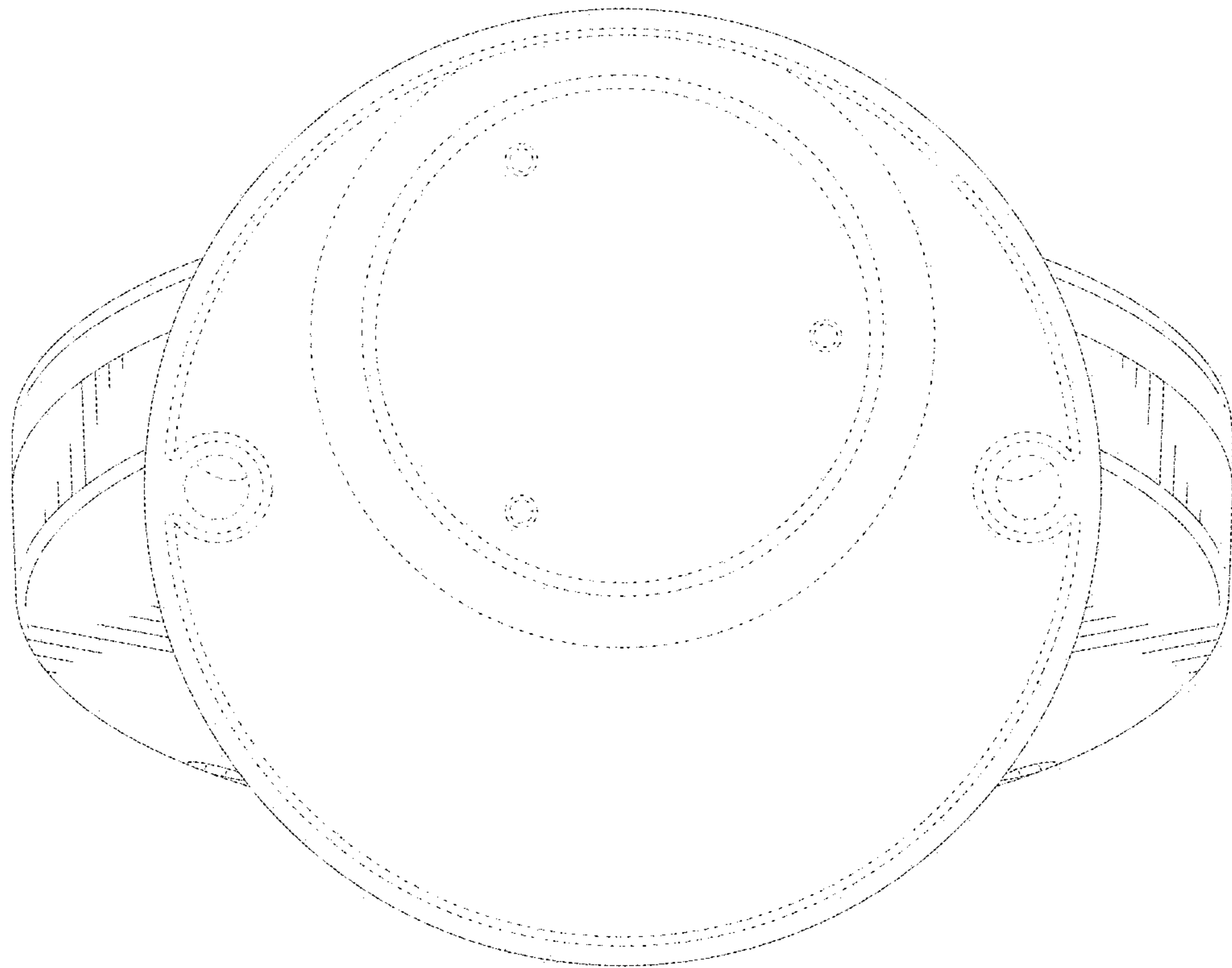


FIG.6

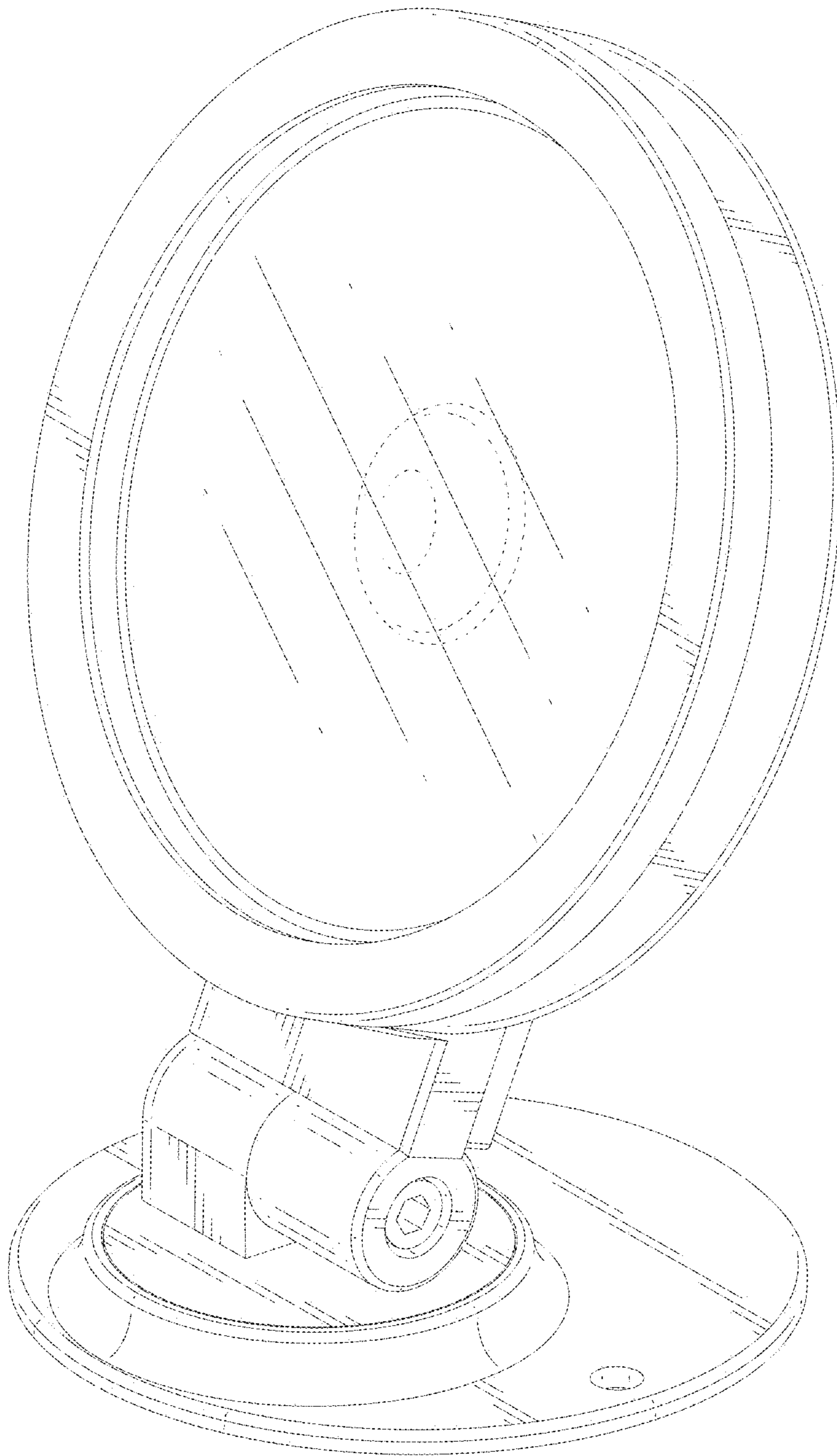


FIG.7



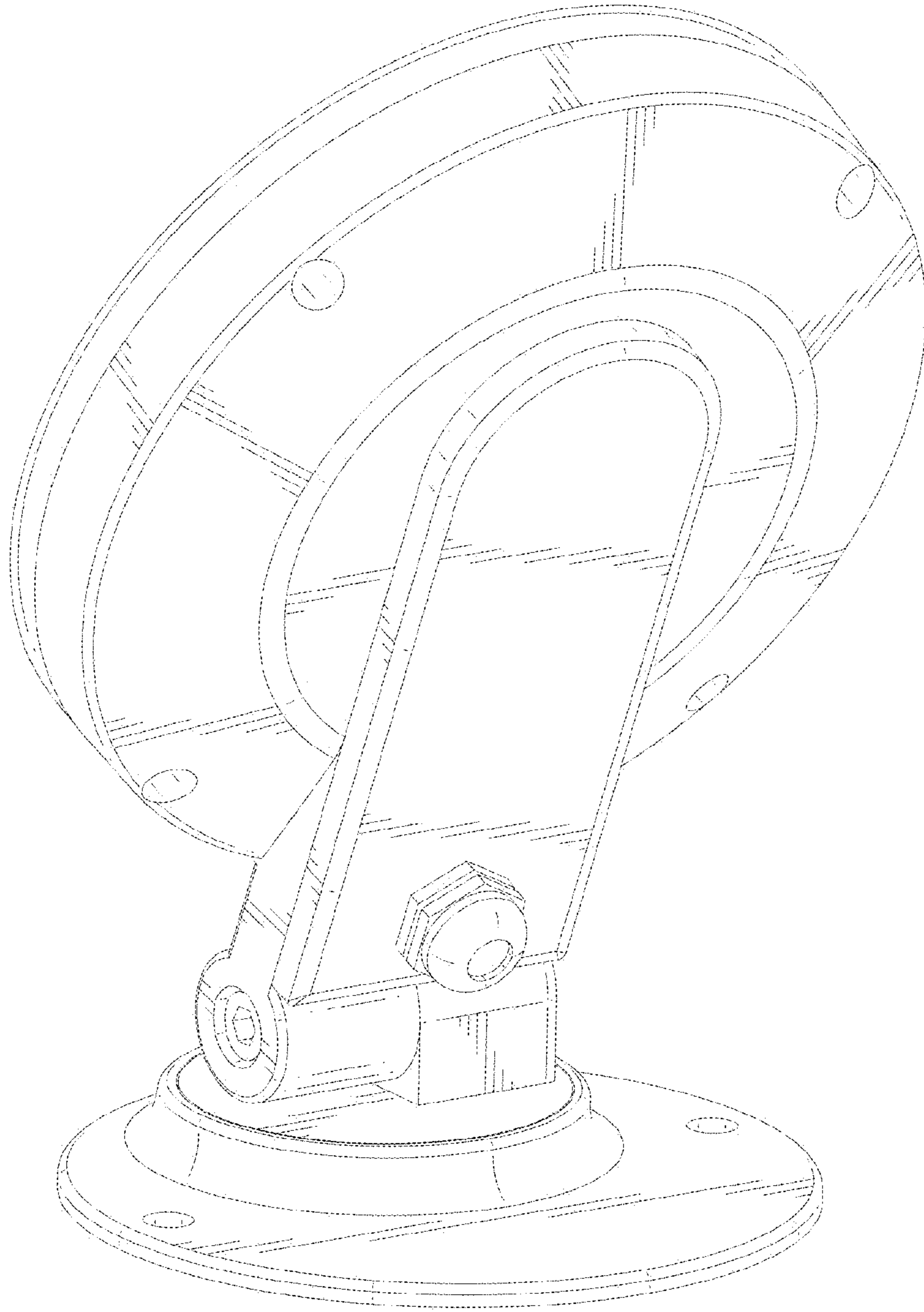


FIG.8