

US00D767191S

(12) **United States Design Patent**
DeMaio et al.

(10) **Patent No.:** **US D767,191 S**

(45) **Date of Patent:** **** Sep. 20, 2016**

(54) **LIGHT EMITTING DIODE FLOODLIGHT**

D650,505 S * 12/2011 Oka D26/63
D663,877 S * 7/2012 Quevy D26/63
D667,582 S * 9/2012 Toft D26/63

(71) Applicants: **Dustin Andrew DeMaio**, Camillus, NY
(US); **James Michael Parascandola**,
North Syracuse, NY (US)

* cited by examiner

(72) Inventors: **Dustin Andrew DeMaio**, Camillus, NY
(US); **James Michael Parascandola**,
North Syracuse, NY (US)

Primary Examiner — Brian N Vinson

(74) *Attorney, Agent, or Firm* — King & Spalding LLP

(73) Assignee: **Cooper Technologies Company**,
Houston, TX (US)

(57) **CLAIM**

The ornamental design for a light emitting diode floodlight,
as shown and described.

(**) Term: **14 Years**

(21) Appl. No.: **29/519,391**

(22) Filed: **Mar. 4, 2015**

DESCRIPTION

(51) **LOC (10) Cl.** **26-03**

(52) **U.S. Cl.**
USPC **D26/63**

(58) **Field of Classification Search**
USPC D26/1, 24, 61, 63, 65, 85, 92
CPC F21V 21/14; F21V 15/01; F21V 14/02;
F21V 21/30; F21V 21/00; F21V 14/00;
F21S 8/00; F21S 8/003; F21S 8/043; F21Y
2105/001

See application file for complete search history.

FIG. 1 is a front perspective view of a light emitting diode
floodlight, showing our new design;
FIG. 2 is a back perspective view thereof;
FIG. 3 is a front elevation view thereof;
FIG. 4 is a back elevation view thereof;
FIG. 5 is a left side elevation view thereof;
FIG. 6 is a right side elevation view thereof;
FIG. 7 is a top plan view thereof; and,
FIG. 8 is a bottom plan view thereof.

The broken lines shown in the figures represent unclaimed
subject matter and form no part of the claimed design.

(56) **References Cited**

U.S. PATENT DOCUMENTS

D625,870 S * 10/2010 Feigenbaum D26/63
D641,905 S * 7/2011 Janssen D26/63
D645,593 S * 9/2011 Janssen D26/63

1 Claim, 7 Drawing Sheets

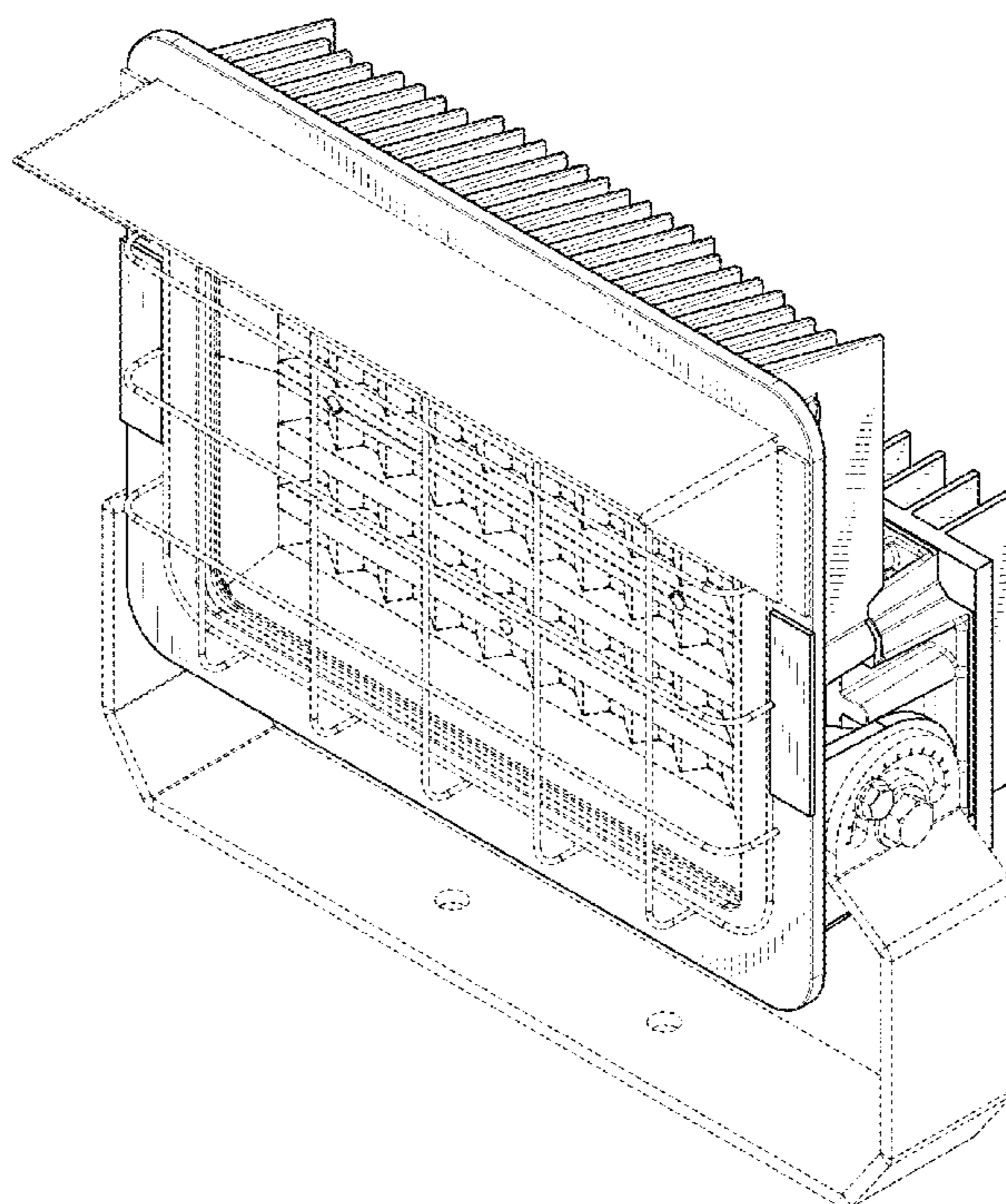


FIG. 1

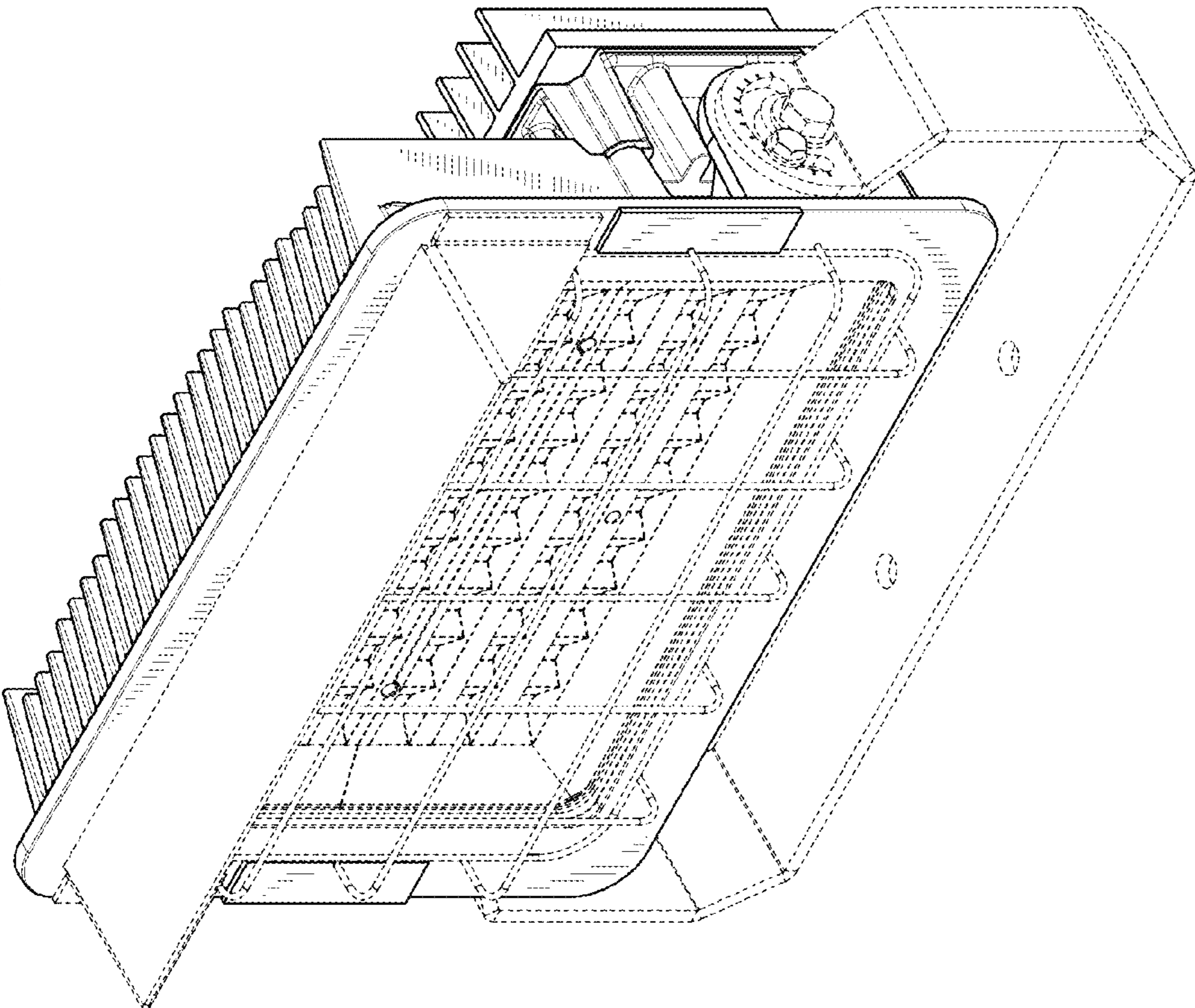


FIG. 2

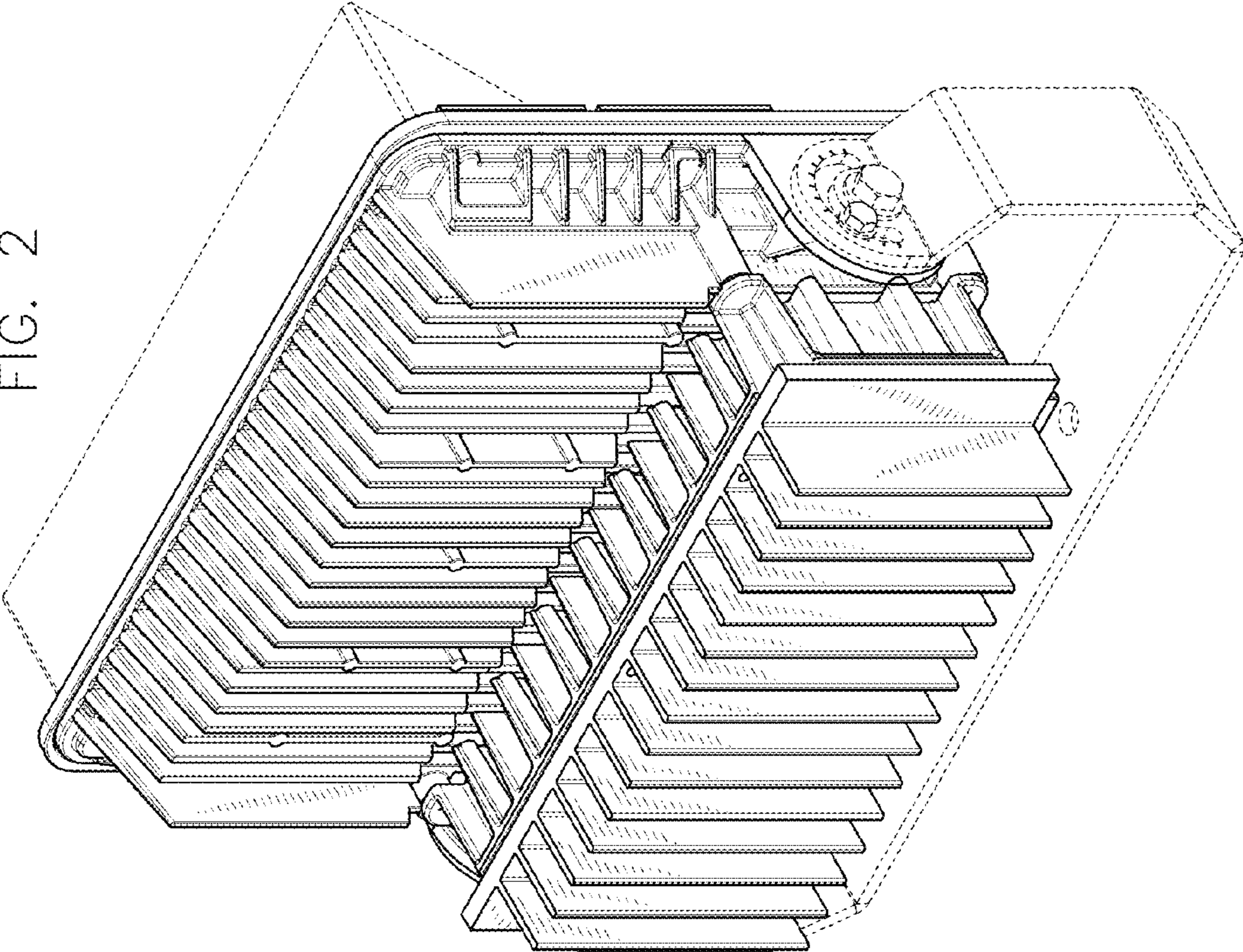


FIG. 3

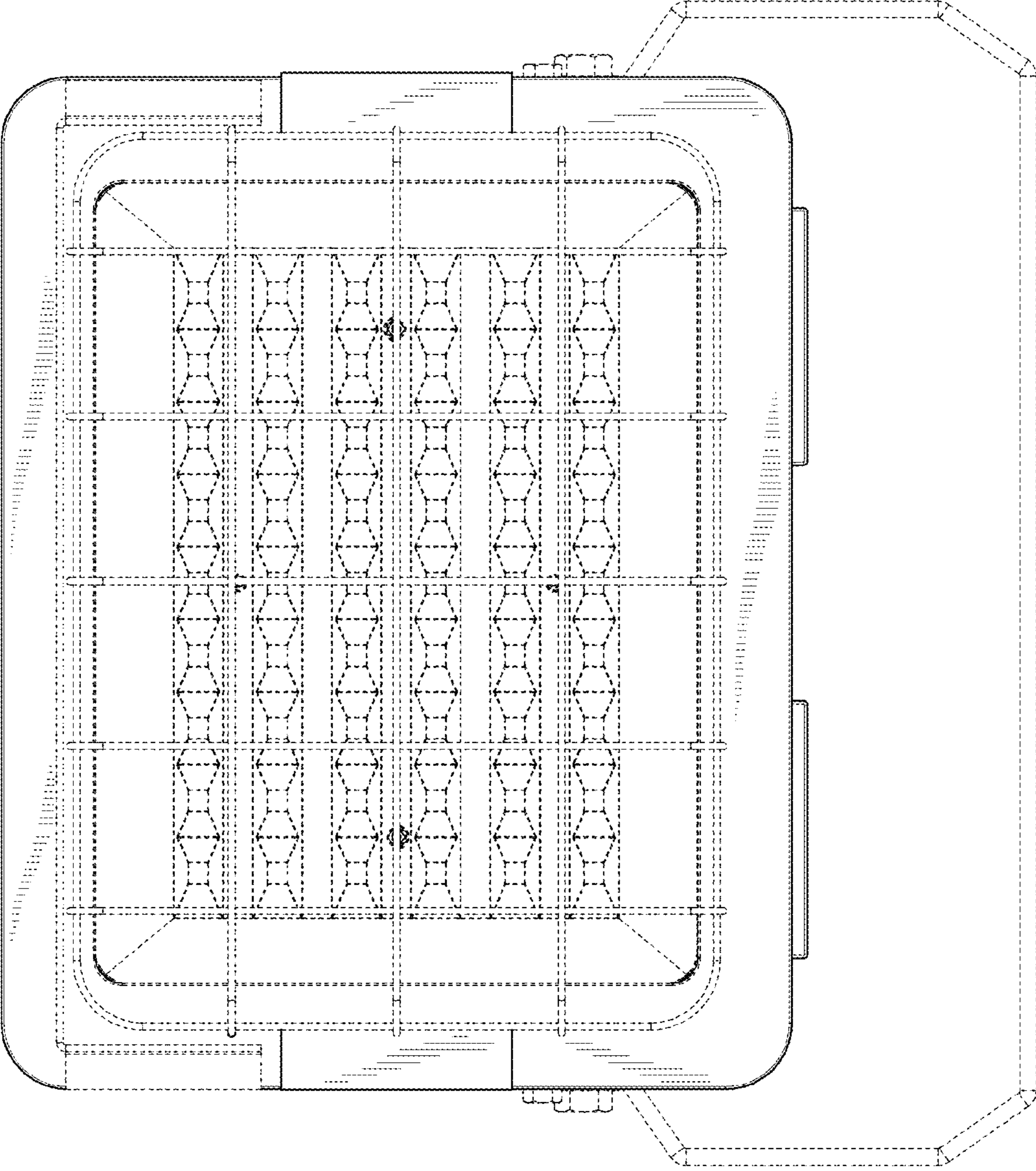


FIG. 4

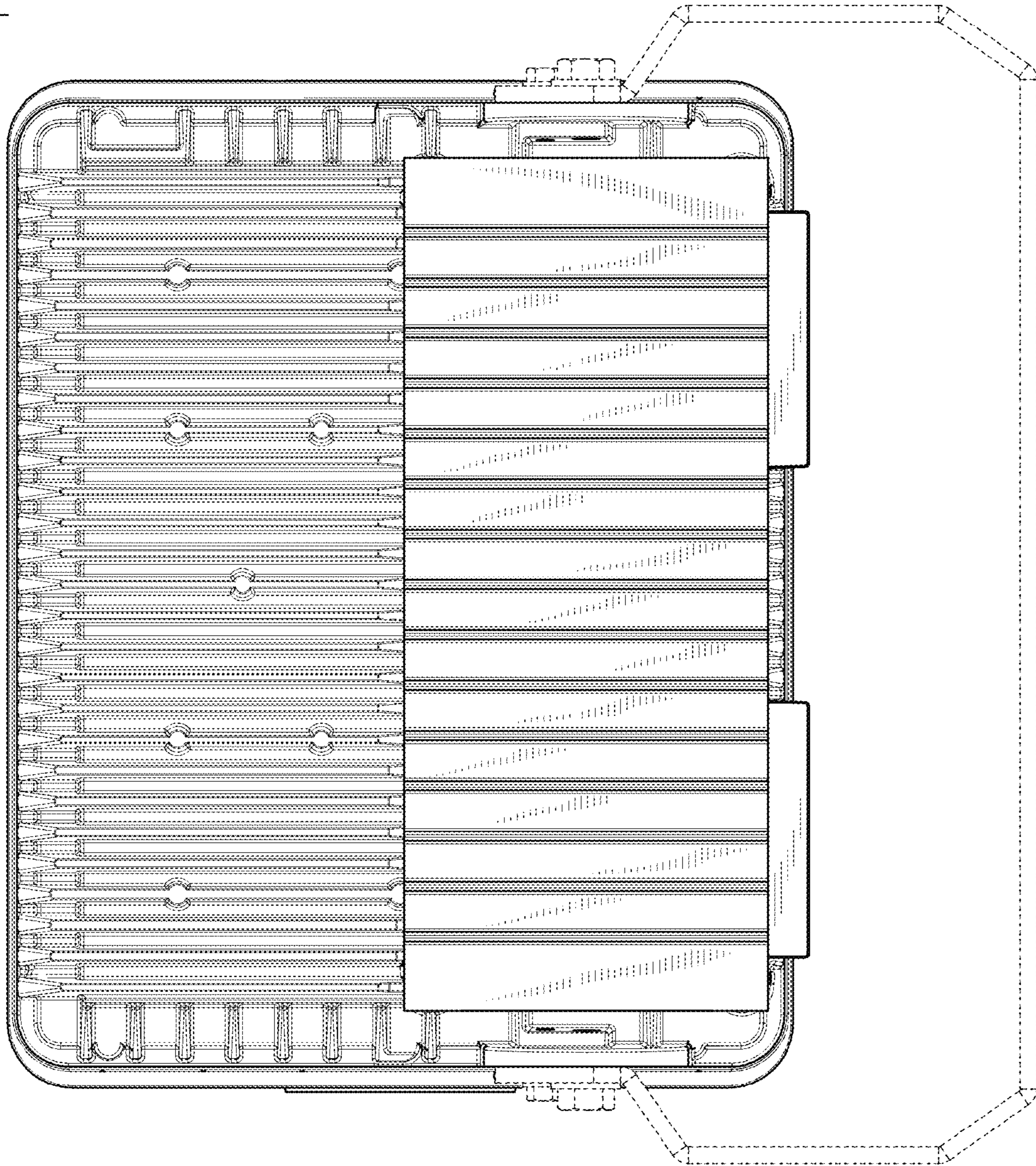


FIG. 6

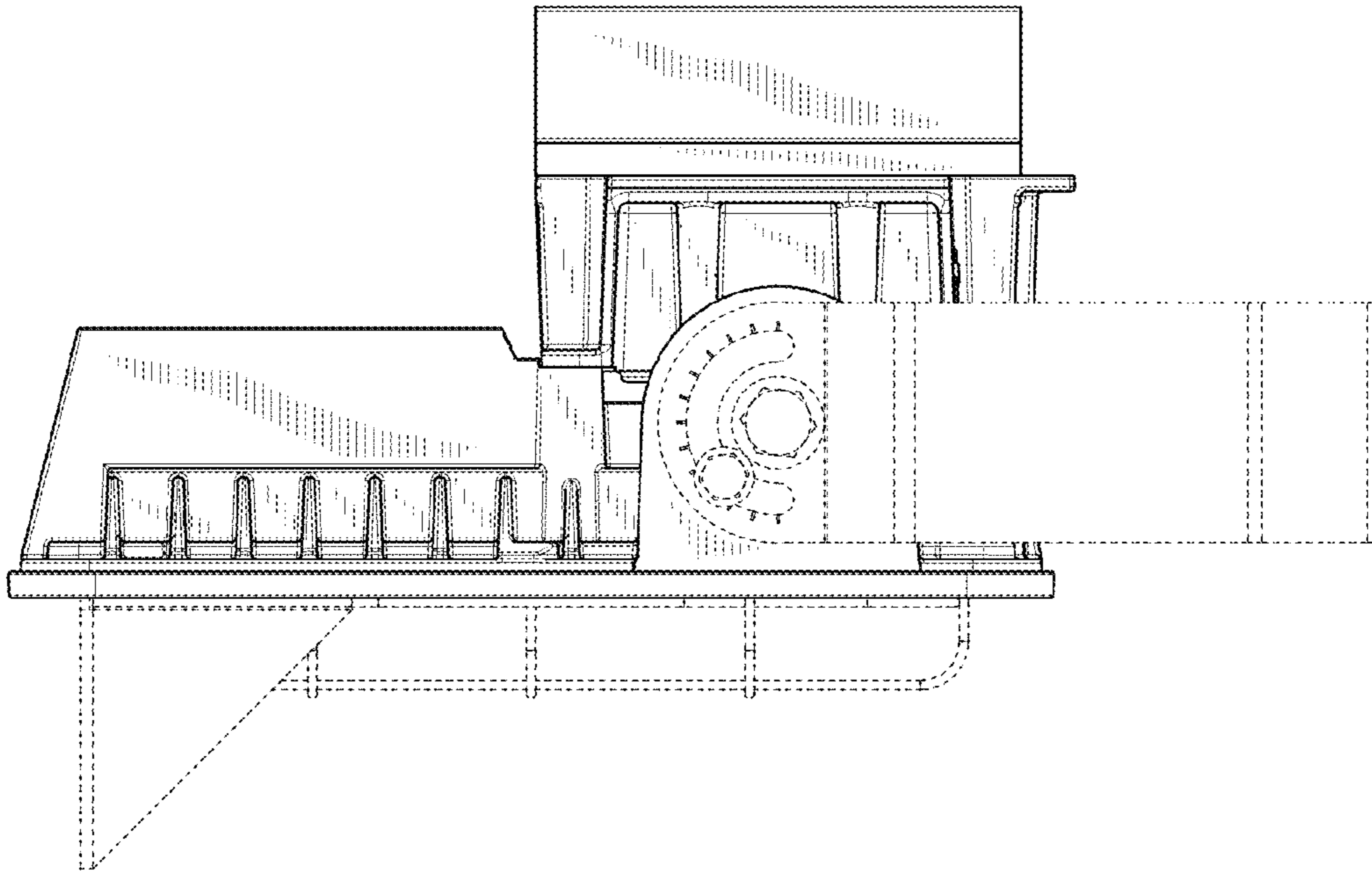


FIG. 5

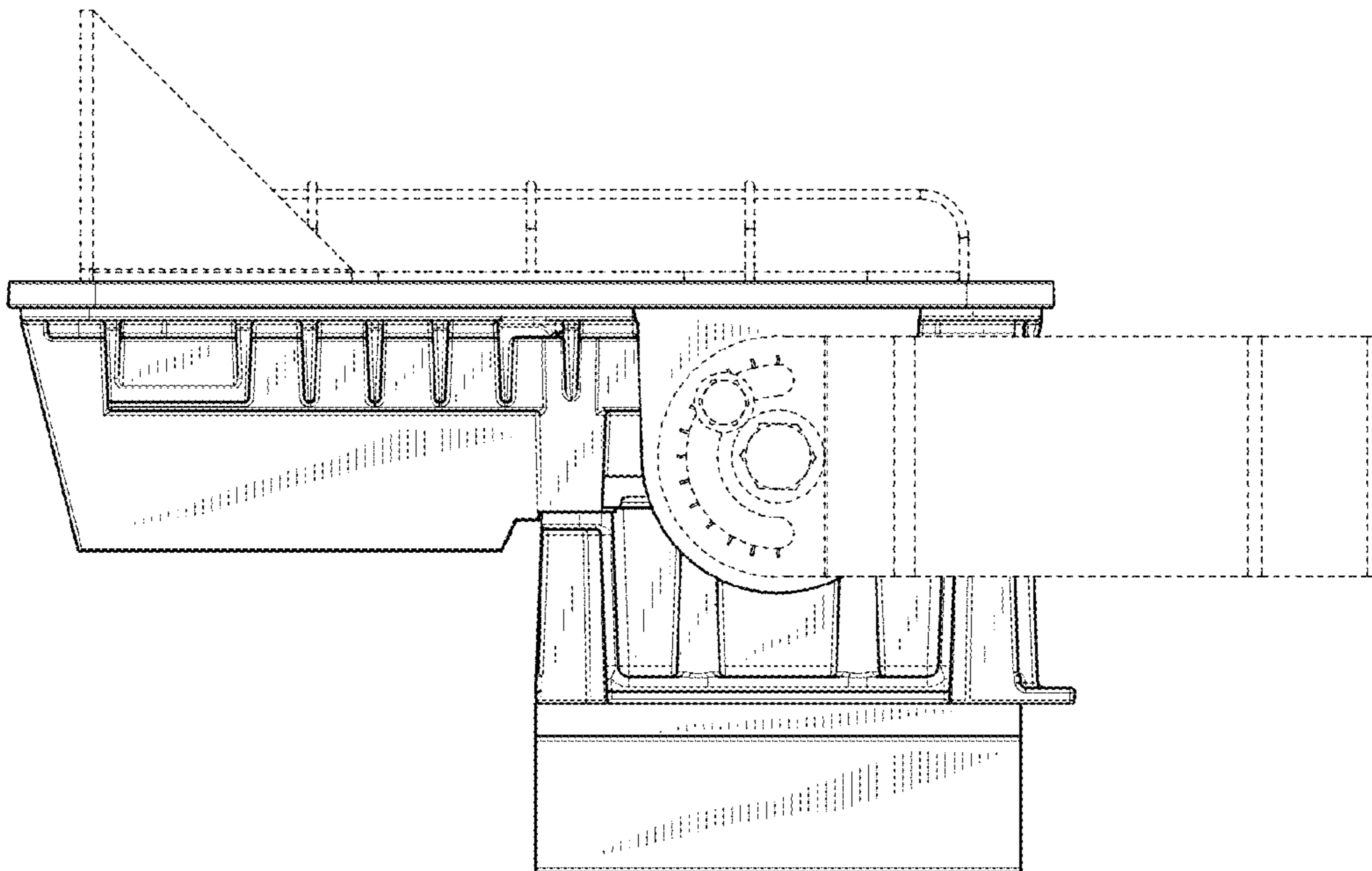


FIG. 7

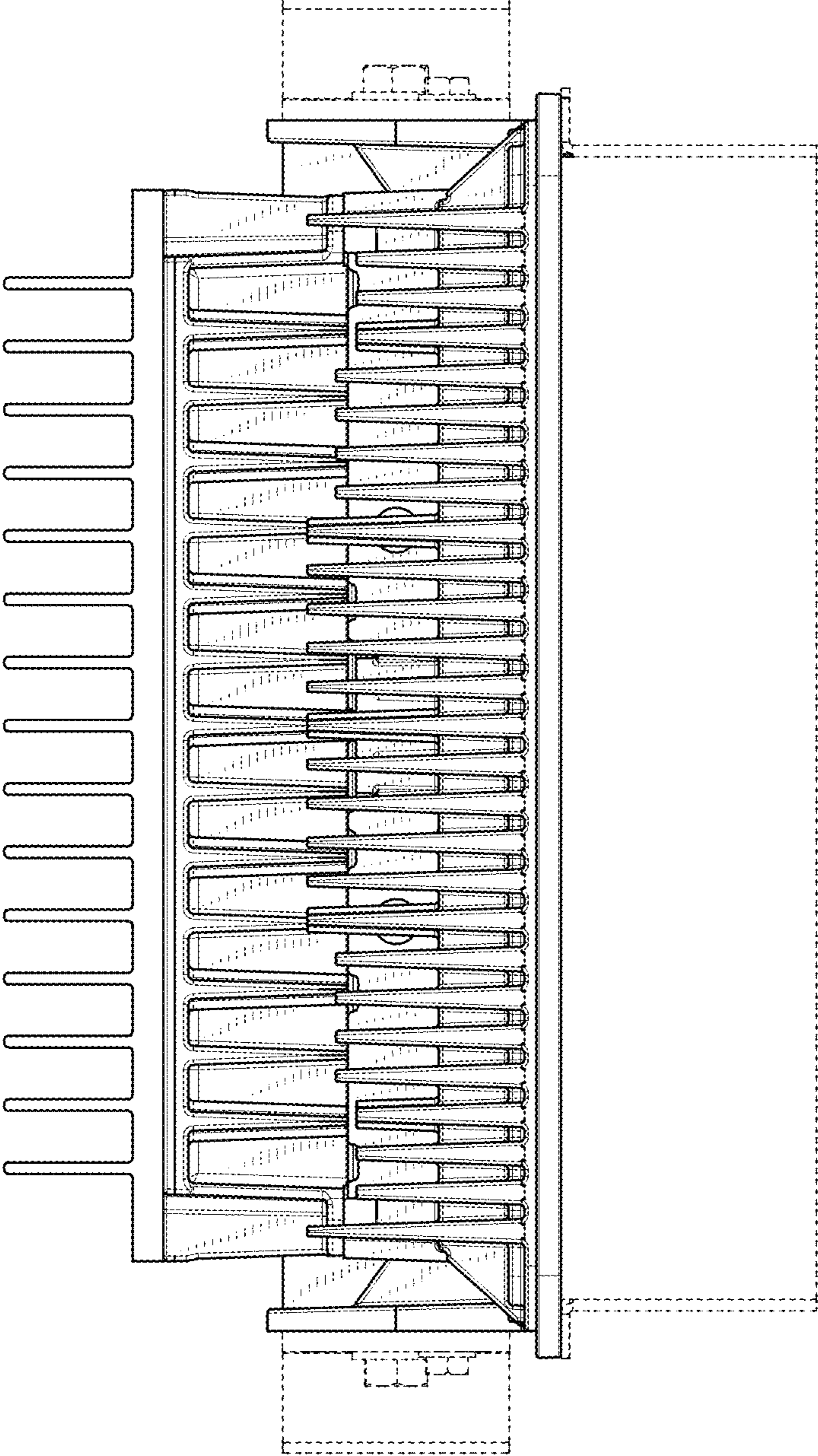


FIG. 8

