

US00D767190S

(12) **United States Design Patent** (10) **Patent No.:** **US D767,190 S**
Tsai et al. (45) **Date of Patent:** **** Sep. 20, 2016**

(54) **WORK LAMP**
(71) Applicants: **Hsi-Hsien Tsai**, Tainan (TW);
Wen-Chuan Li, Tainan (TW)
(72) Inventors: **Hsi-Hsien Tsai**, Tainan (TW);
Wen-Chuan Li, Tainan (TW)
(73) Assignee: **LUCIDITY ENTERPRISE CO., LTD.**, Annan Dist., Tainan (TW)
(**) Term: **14 Years**
(21) Appl. No.: **29/503,302**
(22) Filed: **Sep. 25, 2014**
(51) **LOC (10) Cl.** **26-03**
(52) **U.S. Cl.**
USPC **D26/63**
(58) **Field of Classification Search**
USPC D26/1, 24, 61, 63, 65, 85, 92
CPC F21V 21/14; F21V 15/01; F21V 14/02;
F21V 21/30; F21V 21/00; F21V 14/00;
F21S 8/00; F21S 8/003; F21S 8/043; F21Y
2105/001
See application file for complete search history.

D679,853 S * 4/2013 Chiou D26/63
D694,928 S * 12/2013 Chen D26/63
D739,064 S * 9/2015 Heiner D26/63
D739,587 S * 9/2015 Largent D26/63
D744,685 S * 12/2015 Zhan D26/63
D747,525 S * 1/2016 Guercio D26/63

* cited by examiner

Primary Examiner — Brian N Vinson

(57) **CLAIM**

The ornamental design for a work lamp, as shown and described.

DESCRIPTION

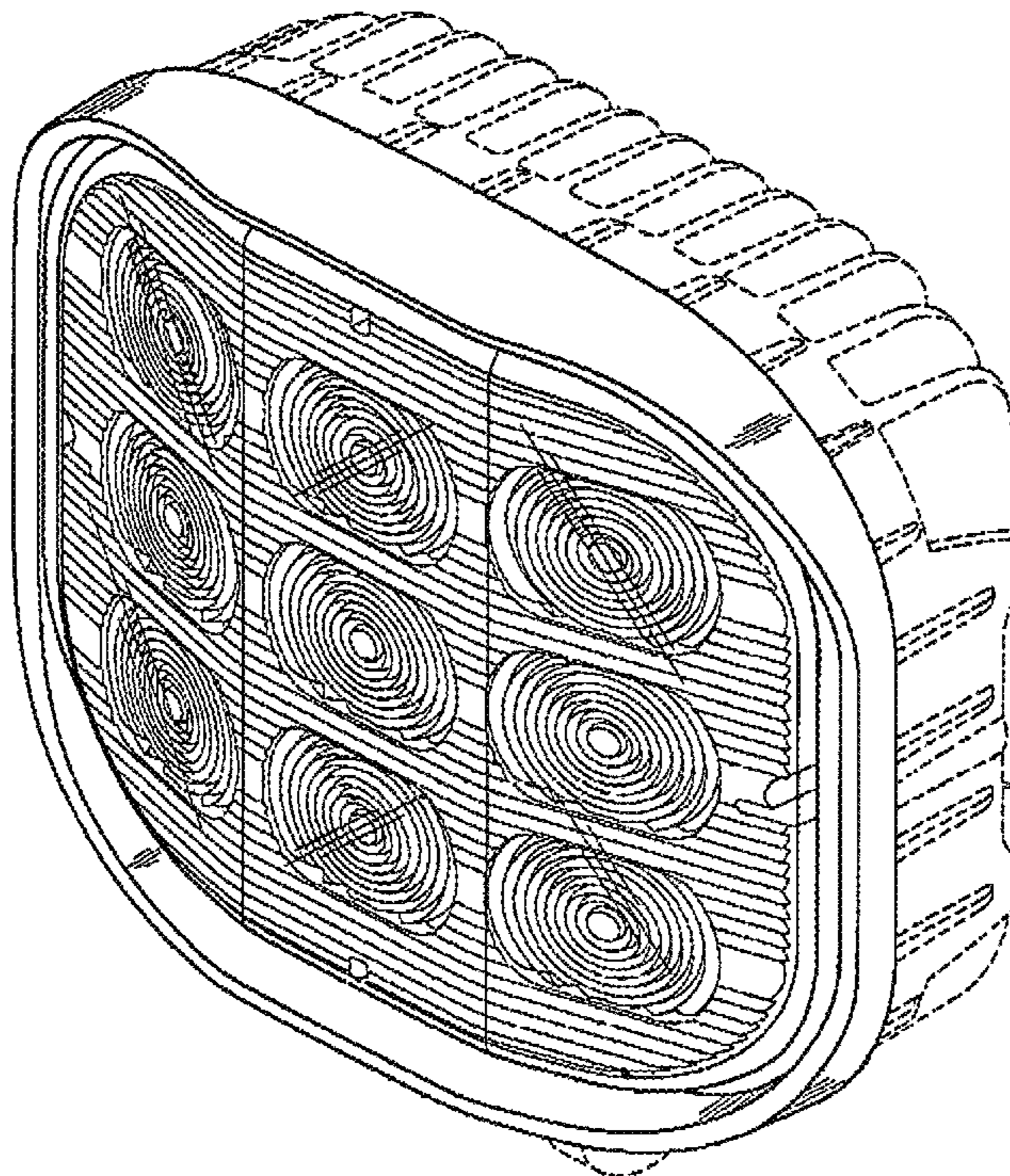
FIG. 1 is a perspective view of a work lamp showing my design, where those indicated by broken lines are not claimed;
FIG. 2 is a front elevational view thereof, where those indicated by broken lines are not claimed;
FIG. 3 is a rear elevational view thereof, where those indicated by broken lines are not claimed;
FIG. 4 is a left side elevational view thereof, where those indicated by broken lines are not claimed;
FIG. 5 is a right side elevational view thereof, where those indicated by broken lines are not claimed;
FIG. 6 is a top plan view thereof, where those indicated by broken lines are not claimed; and,
FIG. 7 is a bottom plan view thereof, where those indicated by broken lines are not claimed.
The broken line disclosure represents portions of the work lamp which form no part of the claimed design.

(56) **References Cited**

U.S. PATENT DOCUMENTS

D587,833 S * 3/2009 Bina D26/63
D642,721 S * 8/2011 Li D26/63
D645,594 S * 9/2011 Grawe D26/63

1 Claim, 7 Drawing Sheets



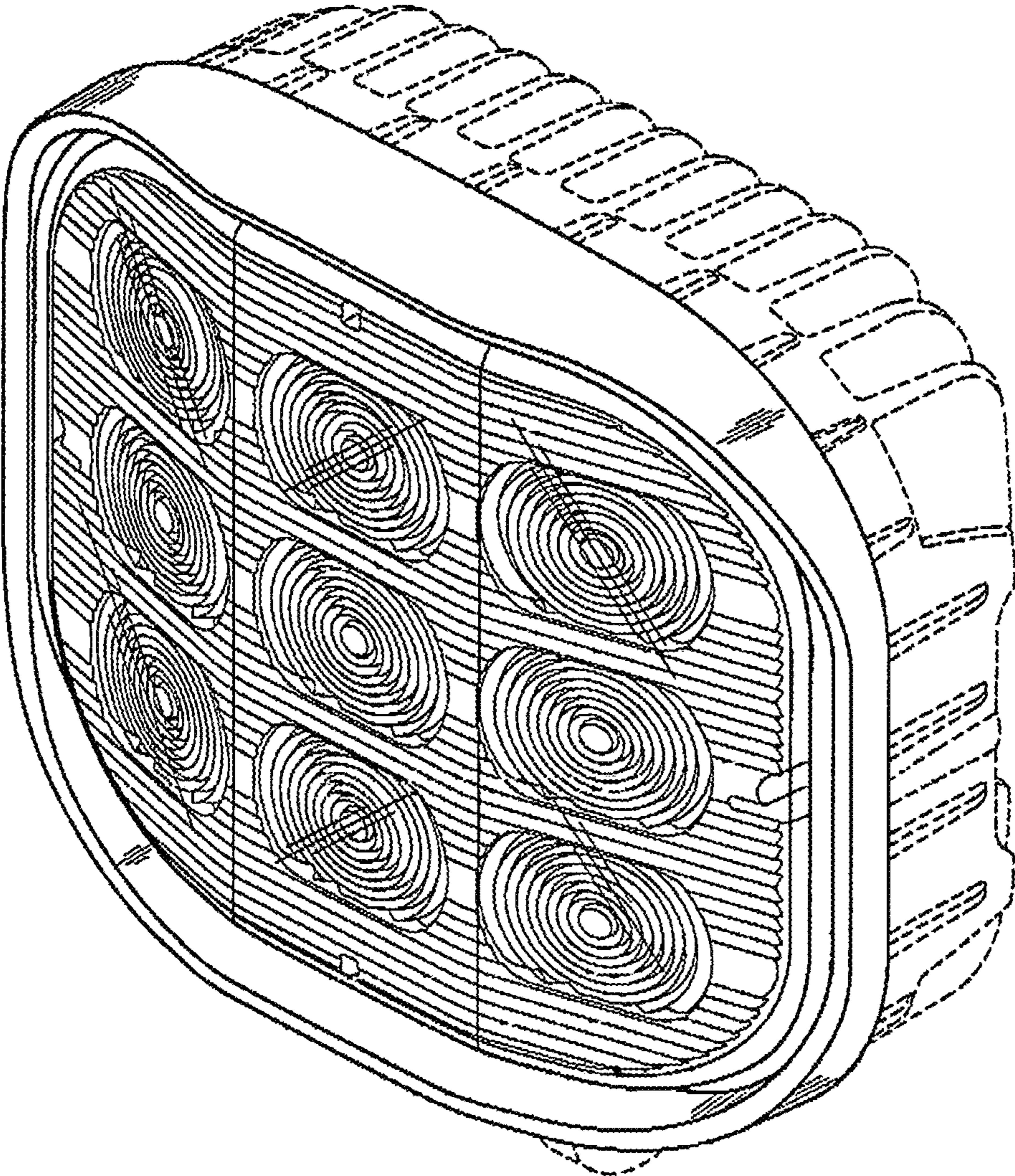


FIG.1

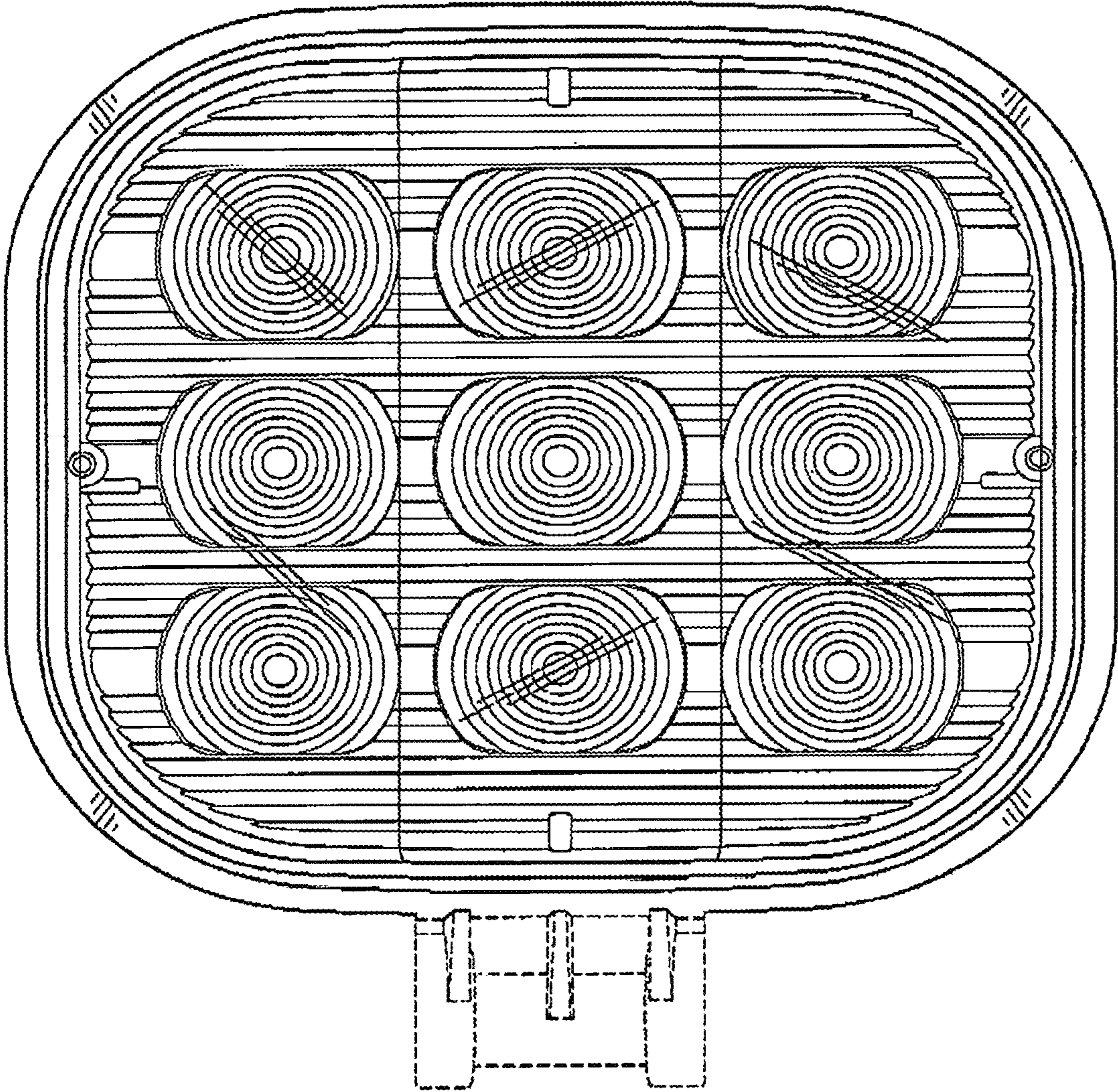


FIG.2

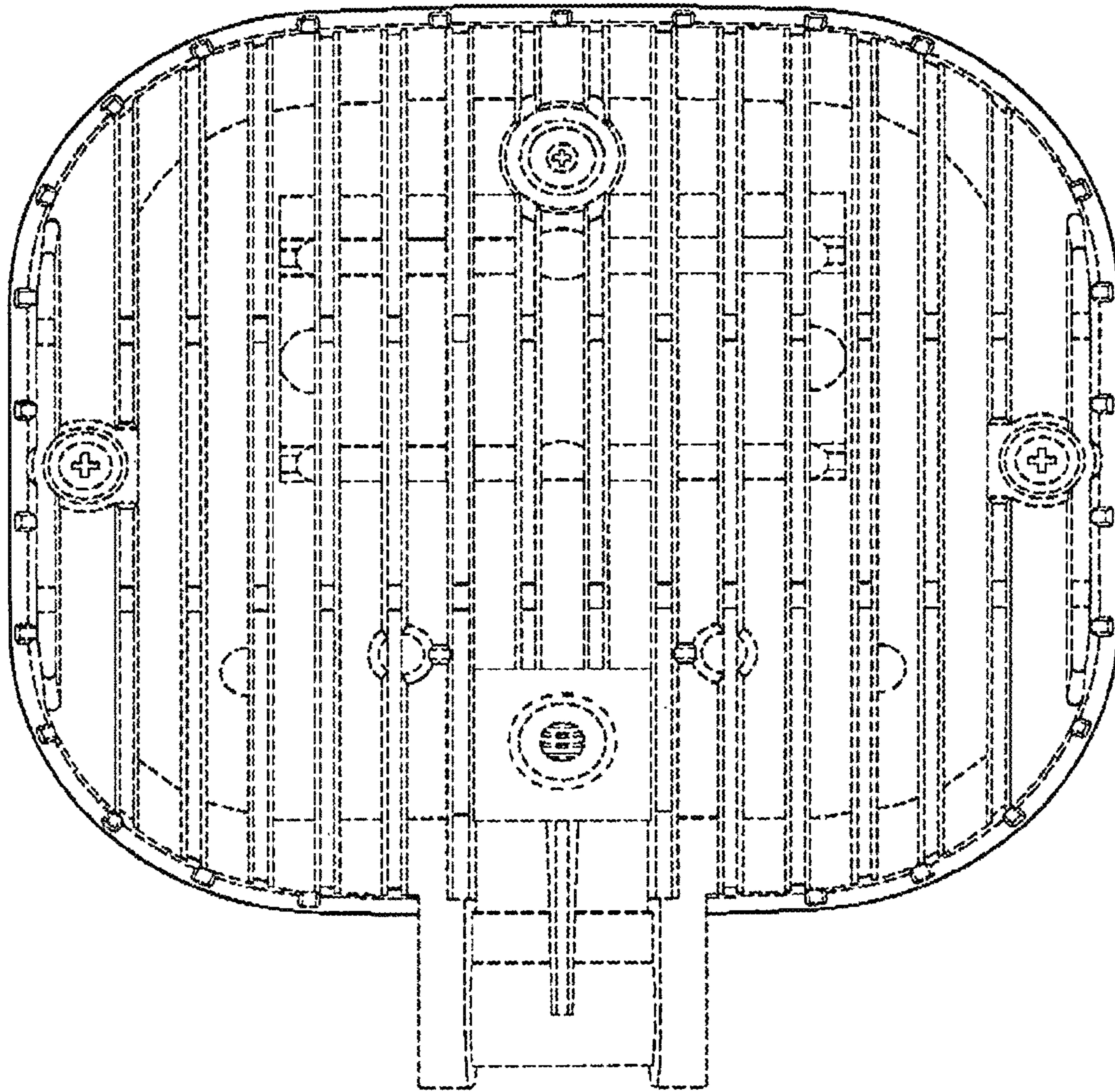


FIG.3

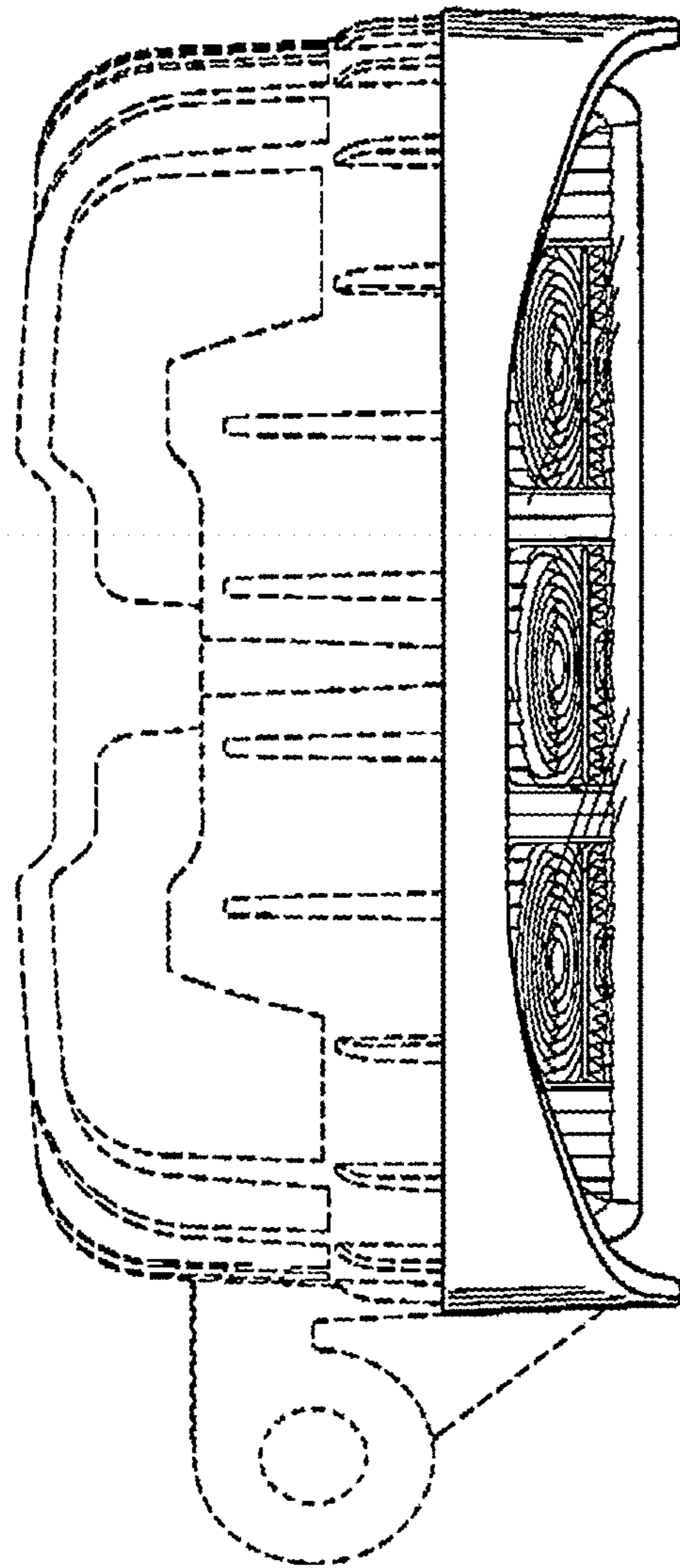


FIG.4

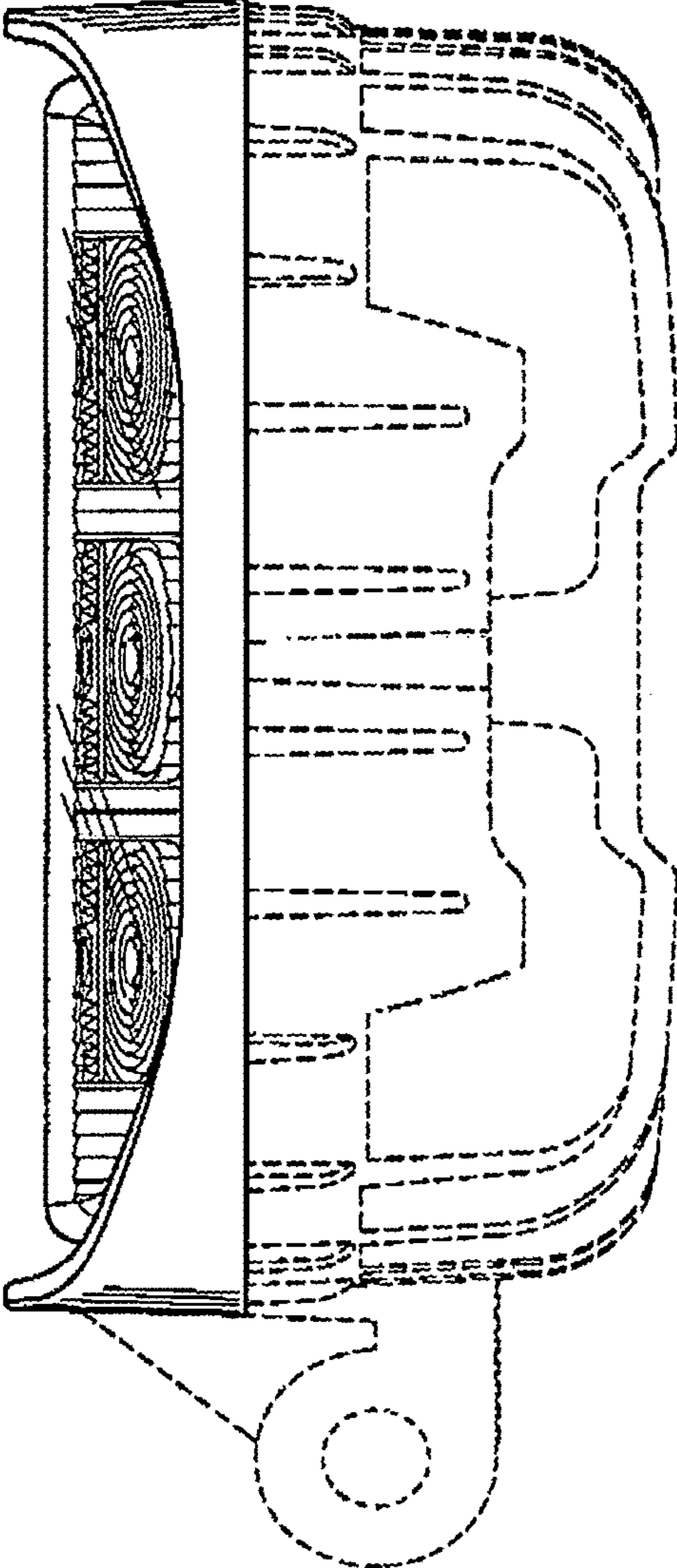


FIG. 5

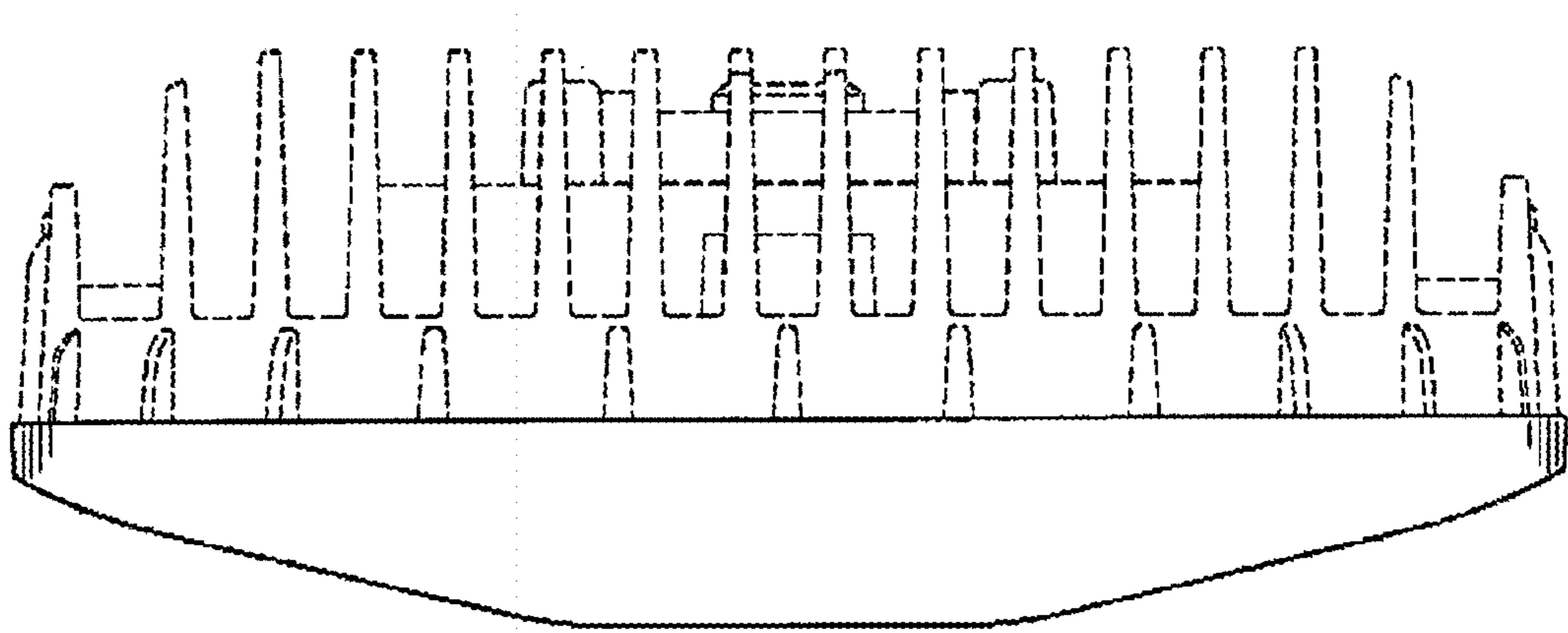


FIG.6

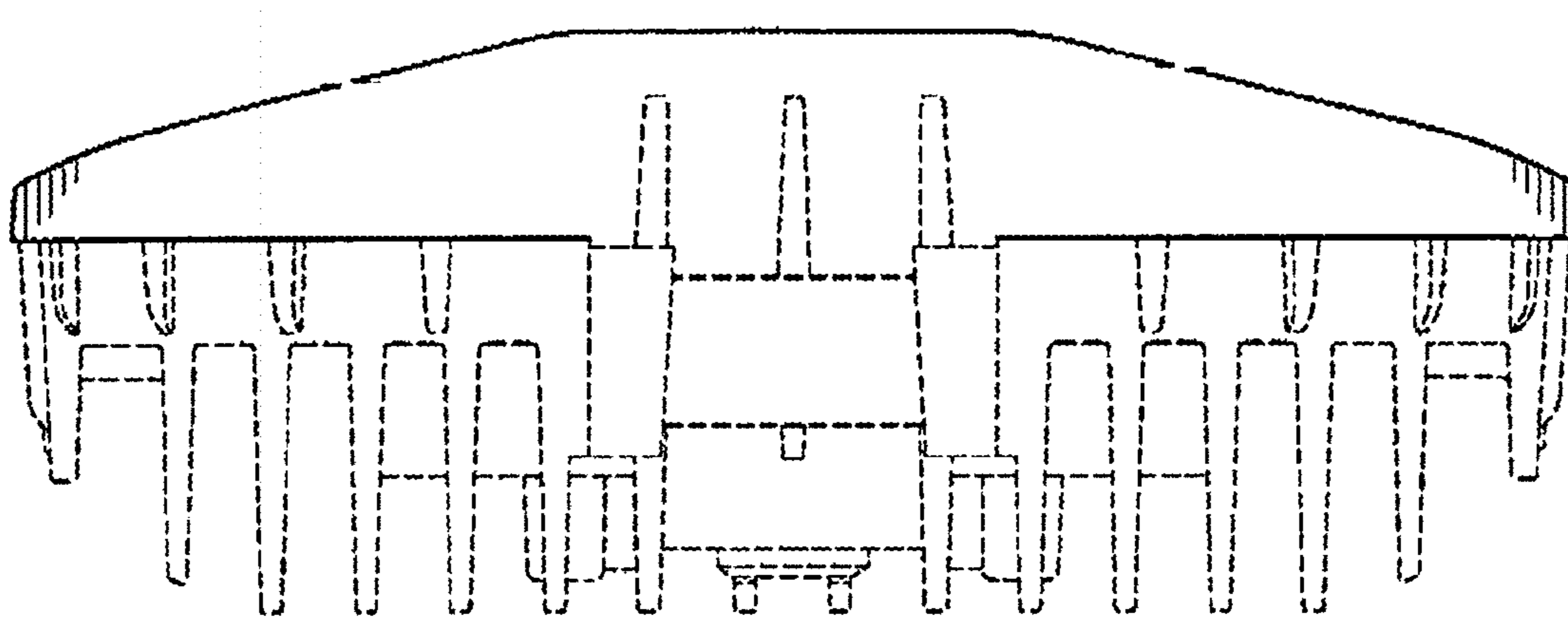


FIG. 7