



US00D767187S

(12) **United States Design Patent**
Hine

(10) **Patent No.:** **US D767,187 S**

(45) **Date of Patent:** **** Sep. 20, 2016**

(54) **LIGHT**

(71) Applicant: **Energizer Brands, LLC**, Saint Louis, MO (US)

(72) Inventor: **David J. Hine**, Skaneateles, NY (US)

(73) Assignee: **Energizer Brands, LLC**, Saint Louis, MO (US)

(**) Term: **15 Years**

(21) Appl. No.: **29/532,605**

(22) Filed: **Jul. 8, 2015**

(51) **LOC (10) Cl.** **26-02**

(52) **U.S. Cl.**
USPC **D26/49**

(58) **Field of Classification Search**
USPC D26/46, 49, 37, 38, 51; 362/158, 183, 362/184, 194-196, 200-208
CPC F21L 2003/00; F21L 4/00; F21L 4/005; F21L 4/02; F21L 4/025; F21L 4/027; F21L 4/04; F21L 4/08; F21L 2005/00; F21L 7/00; F21L 11/00; F21L 13/00; F21L 13/04; F21L 13/08; F21L 14/02; F21L 17/00
See application file for complete search history.

(56) **References Cited**

U.S. PATENT DOCUMENTS

D448,878 S * 10/2001 Dalton D26/49
D452,025 S * 12/2001 Poon D26/49
D496,481 S * 9/2004 Wiesmeth D26/49

D502,564 S * 3/2005 Dalton D26/49
D544,118 S * 6/2007 Osiecki D26/37
D562,480 S * 2/2008 Spartano D26/37
D564,684 S * 3/2008 Leung D26/37
D598,151 S * 8/2009 McGraw D26/49
D610,727 S * 2/2010 Nyssen D26/46
D617,023 S * 6/2010 Rugendyke D26/46
D690,448 S * 9/2013 Yeh D26/46
D707,869 S * 6/2014 Wu D26/46
D728,139 S * 4/2015 Wang D26/46
D740,986 S * 10/2015 Hine D26/46
D742,570 S * 11/2015 Brown D26/46
D744,136 S * 11/2015 Osiecki D26/49
D751,742 S * 3/2016 Windom D26/49

* cited by examiner

Primary Examiner — Lakiya Rogers

Assistant Examiner — Carissa C Fitts

(74) *Attorney, Agent, or Firm* — McDonald Hopkins LLC

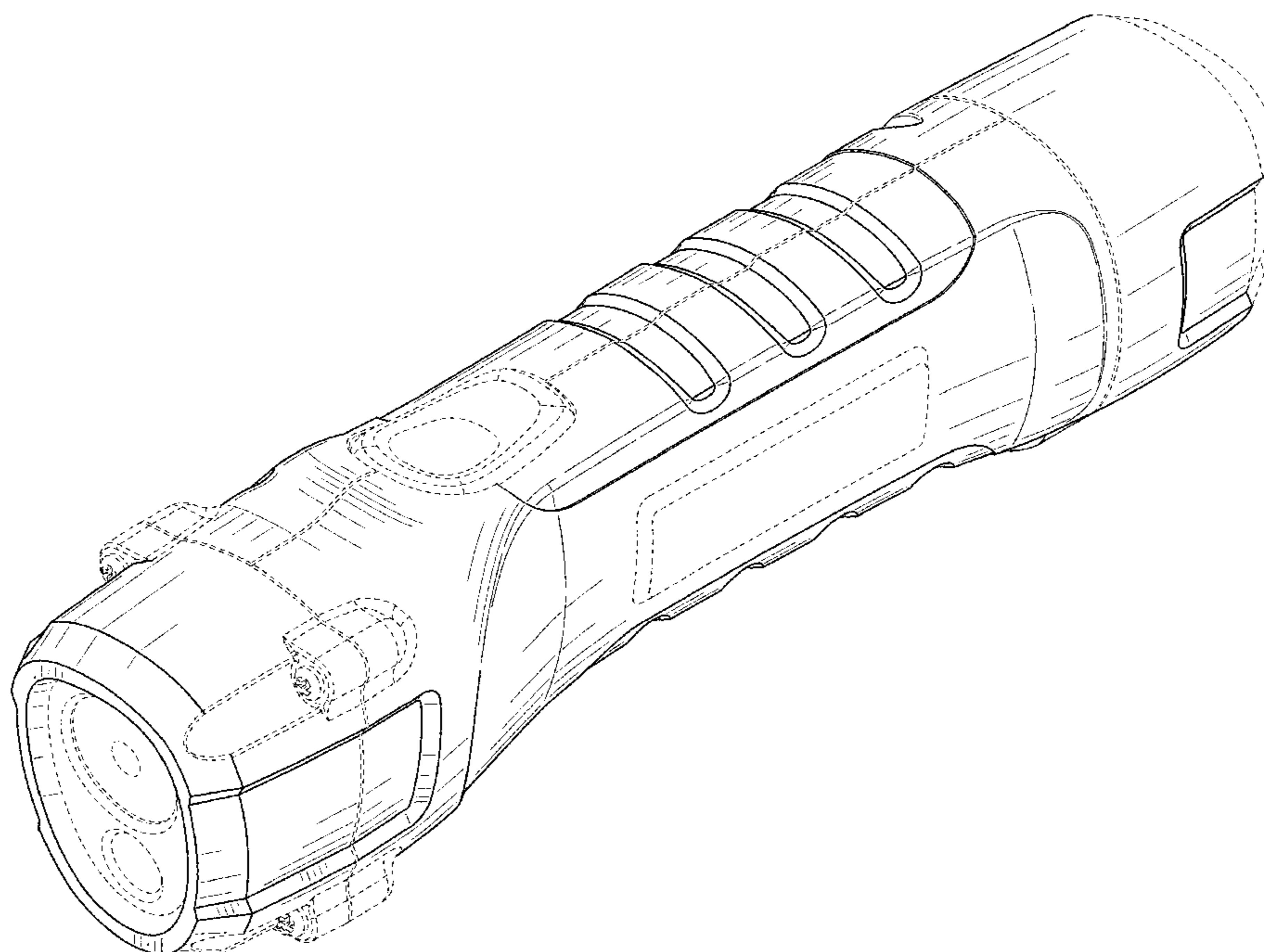
(57) **CLAIM**

The ornamental design for a light, as shown and described.

DESCRIPTION

FIG. 1 is a front perspective view of the design;
FIG. 2 is a front view of the design;
FIG. 3 is a rear view of the design;
FIG. 4 is a first side view of the design;
FIG. 5 is a second side view of the design;
FIG. 6 is a top view of the design; and,
FIG. 7 is a bottom view of the design.
The broken line showing represents unclaimed portions of the article and forms no part of the claimed design.

1 Claim, 6 Drawing Sheets



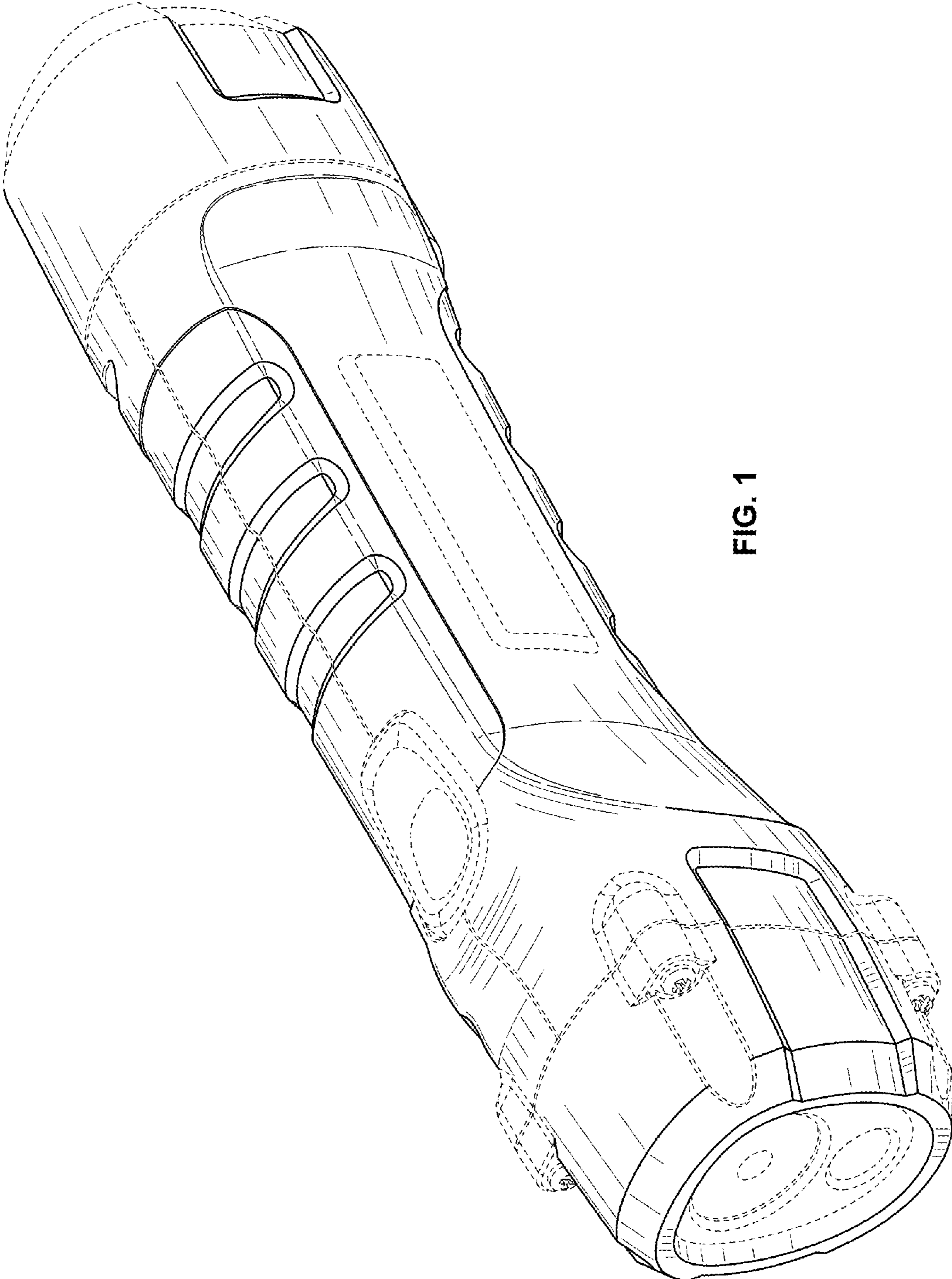


FIG. 1

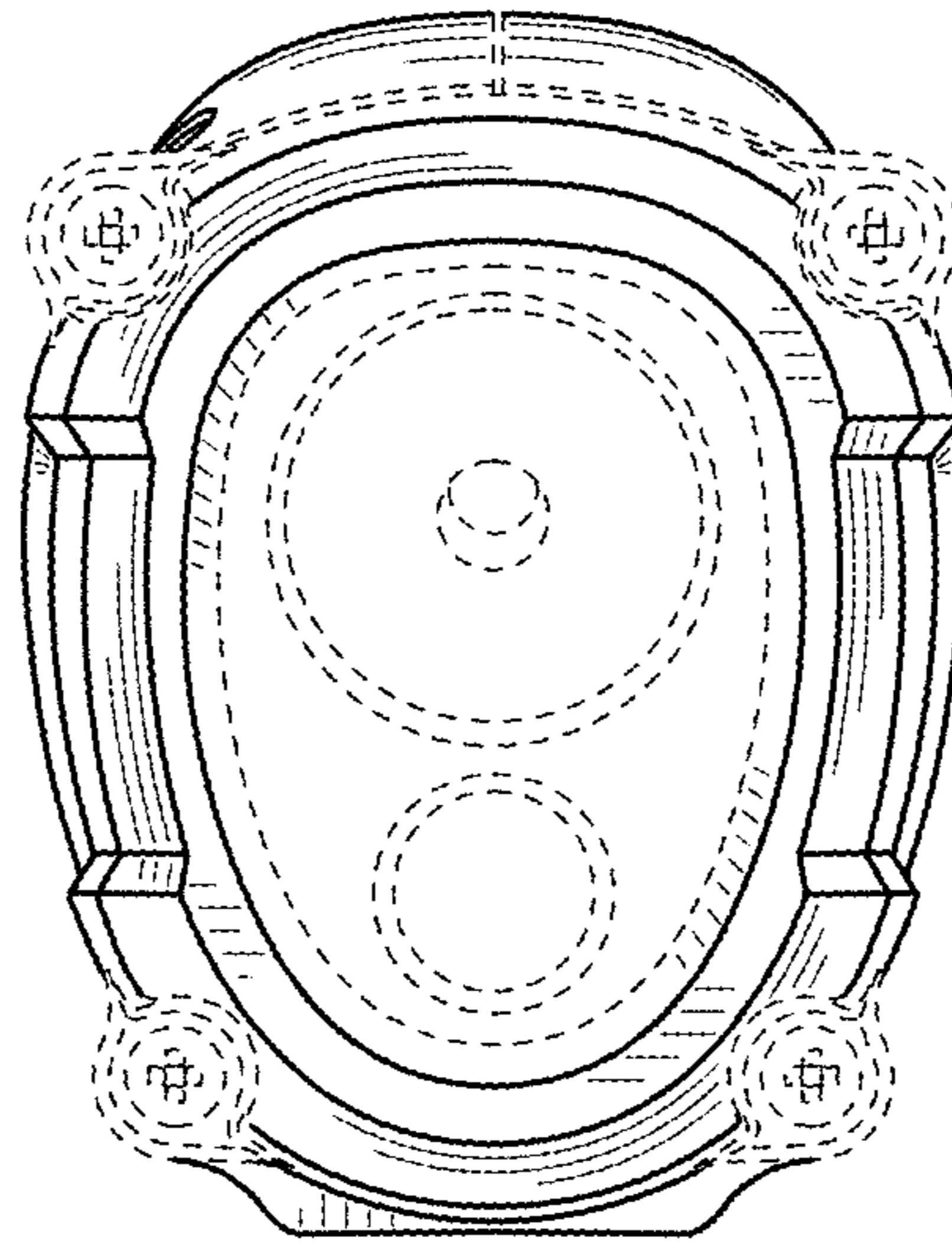


FIG. 2

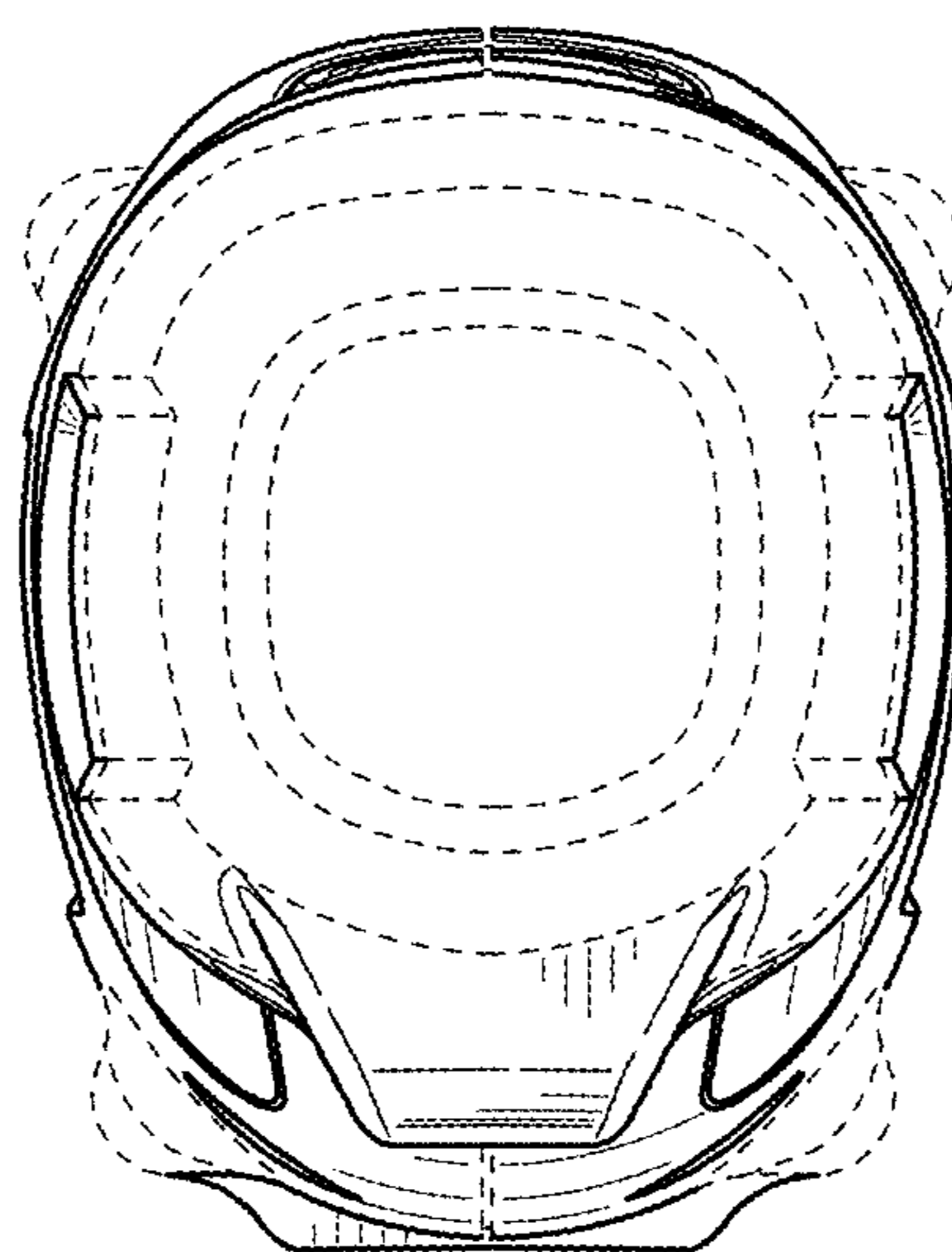


FIG. 3

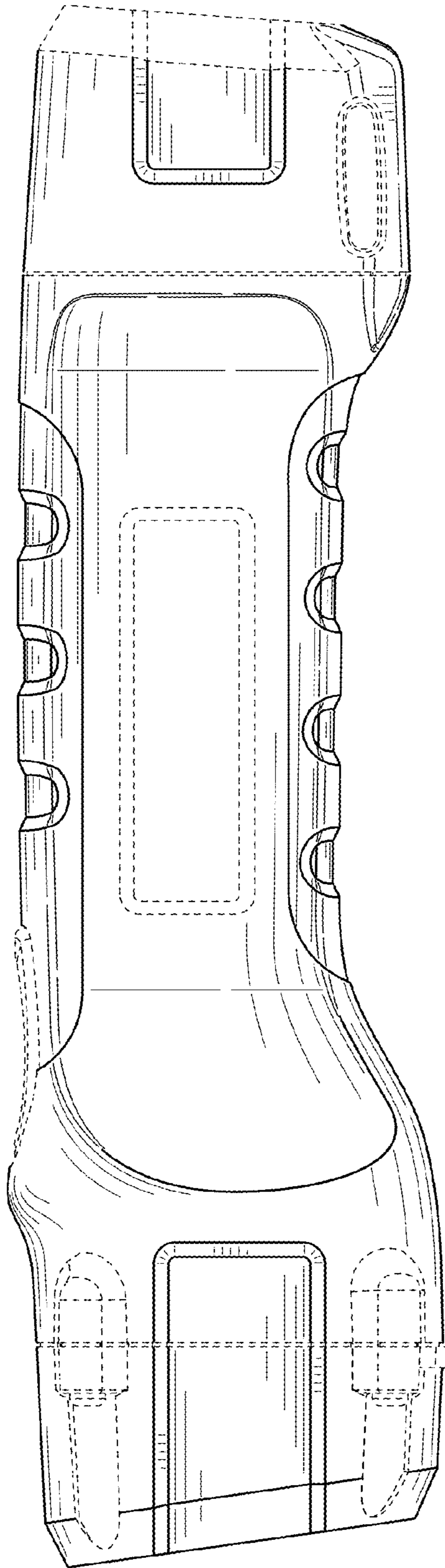


FIG. 4

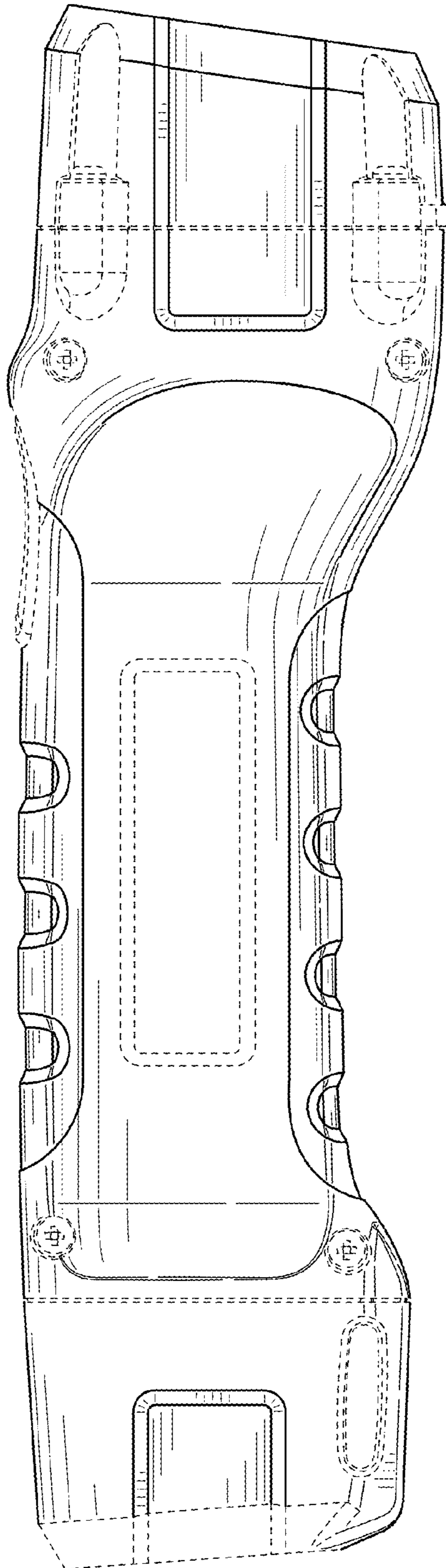


FIG. 5

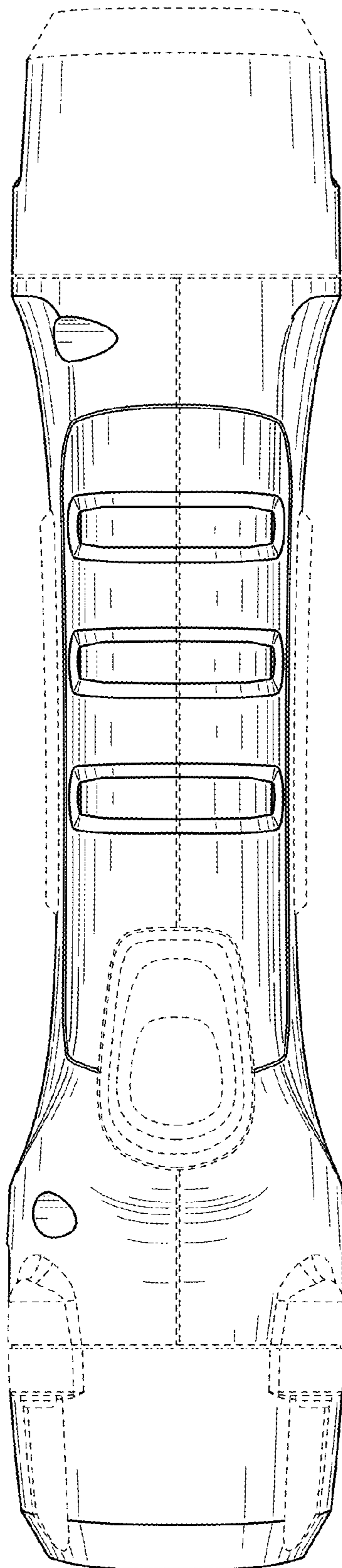


FIG. 6

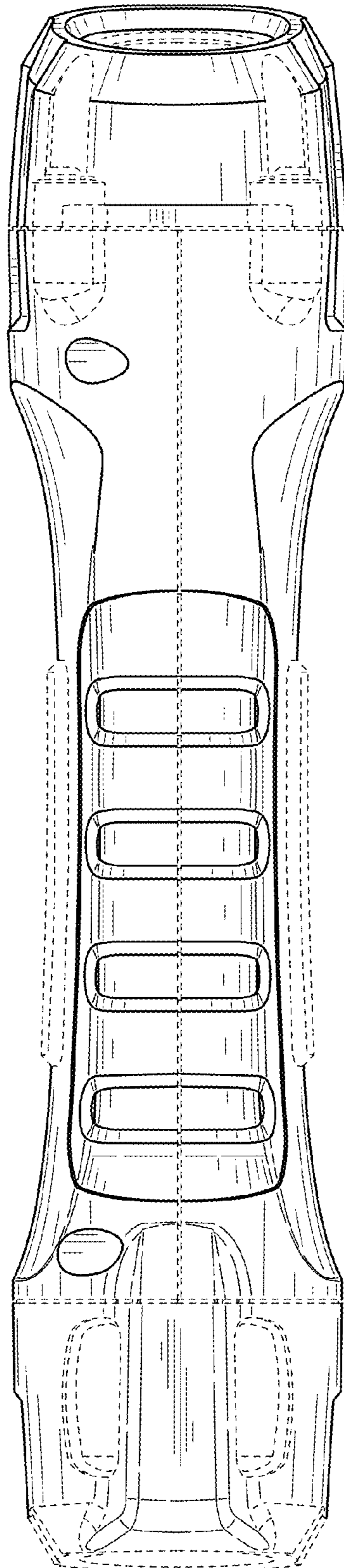


FIG. 7