



US00D767186S

(12) **United States Design Patent**  
**Shiu**

(10) **Patent No.:** **US D767,186 S**

(45) **Date of Patent:** **\*\* Sep. 20, 2016**

(54) **HANDHELD FLASHLIGHT**

(71) Applicant: **Gold Coral International Limited,**  
Kowloon (HK)

(72) Inventor: **Stephanie Wai Man Shiu,** Kowloon  
(HK)

(73) Assignee: **GOLD CORAL INTERNATIONAL LIMITED,** Kowloon (HK)

(\*\*) Term: **14 Years**

(21) Appl. No.: **29/514,443**

(22) Filed: **Jan. 13, 2015**

(30) **Foreign Application Priority Data**

Aug. 1, 2014 (HK) ..... 1401425.8

(51) **LOC (10) Cl.** ..... **26-02**

(52) **U.S. Cl.**  
USPC ..... **D26/49**

(58) **Field of Classification Search**

USPC ..... D26/37, 38, 46, 49, 51; 362/157, 158,  
362/183, 184, 194-196, 202-208, 253

CPC ..... F21L 2003/00; F21L 4/00; F21L 4/005;  
F21L 4/02; F21L 4/025; F21L 4/027; F21L  
4/04; F21L 4/08; F21L 2005/00; F21L 7/00;  
F21L 11/00; F21L 13/00; F21L 13/04;  
F21L 13/08; F21L 14/02; F21L 17/00;  
F21L 19/00; F21L 25/00

See application file for complete search history.

(56) **References Cited**

**U.S. PATENT DOCUMENTS**

D322,138 S \* 12/1991 Davies ..... D26/49  
D442,307 S \* 5/2001 Parker ..... D26/49  
D494,298 S \* 8/2004 Brent ..... D26/49

D495,078 S \* 8/2004 Galli ..... D26/49  
D574,529 S \* 8/2008 Squires ..... D26/49  
D593,241 S \* 5/2009 Wiesmeth ..... D26/49  
D660,487 S \* 5/2012 Wu ..... D26/38  
D687,987 S \* 8/2013 Ancona ..... D26/46  
D687,988 S \* 8/2013 Yeh ..... D26/46  
D687,995 S \* 8/2013 Yeh ..... D26/49  
D687,996 S \* 8/2013 Yeh ..... D26/49  
D689,228 S \* 9/2013 Yeh ..... D26/46  
D690,448 S \* 9/2013 Yeh ..... D26/46  
D692,604 S \* 10/2013 Kamm ..... D26/49  
D709,229 S \* 7/2014 Wang ..... D26/49  
D728,139 S \* 4/2015 Wang ..... D26/49  
D740,988 S \* 10/2015 Robinson ..... D26/49  
D743,600 S \* 11/2015 Robinson ..... D26/49

\* cited by examiner

*Primary Examiner* — Ian Simmons

*Assistant Examiner* — Carissa C Fitts

(74) *Attorney, Agent, or Firm* — Joseph G. Swan, P.C.

(57) **CLAIM**

The ornamental design for a handheld flashlight, as shown and described.

**DESCRIPTION**

FIG. 1 is a perspective view of a handheld flashlight according to the present invention.

FIG. 2 is a left side elevational view of the handheld flashlight.

FIG. 3 is a right side elevational view of the handheld flashlight.

FIG. 4 is a top plan view of the handheld flashlight.

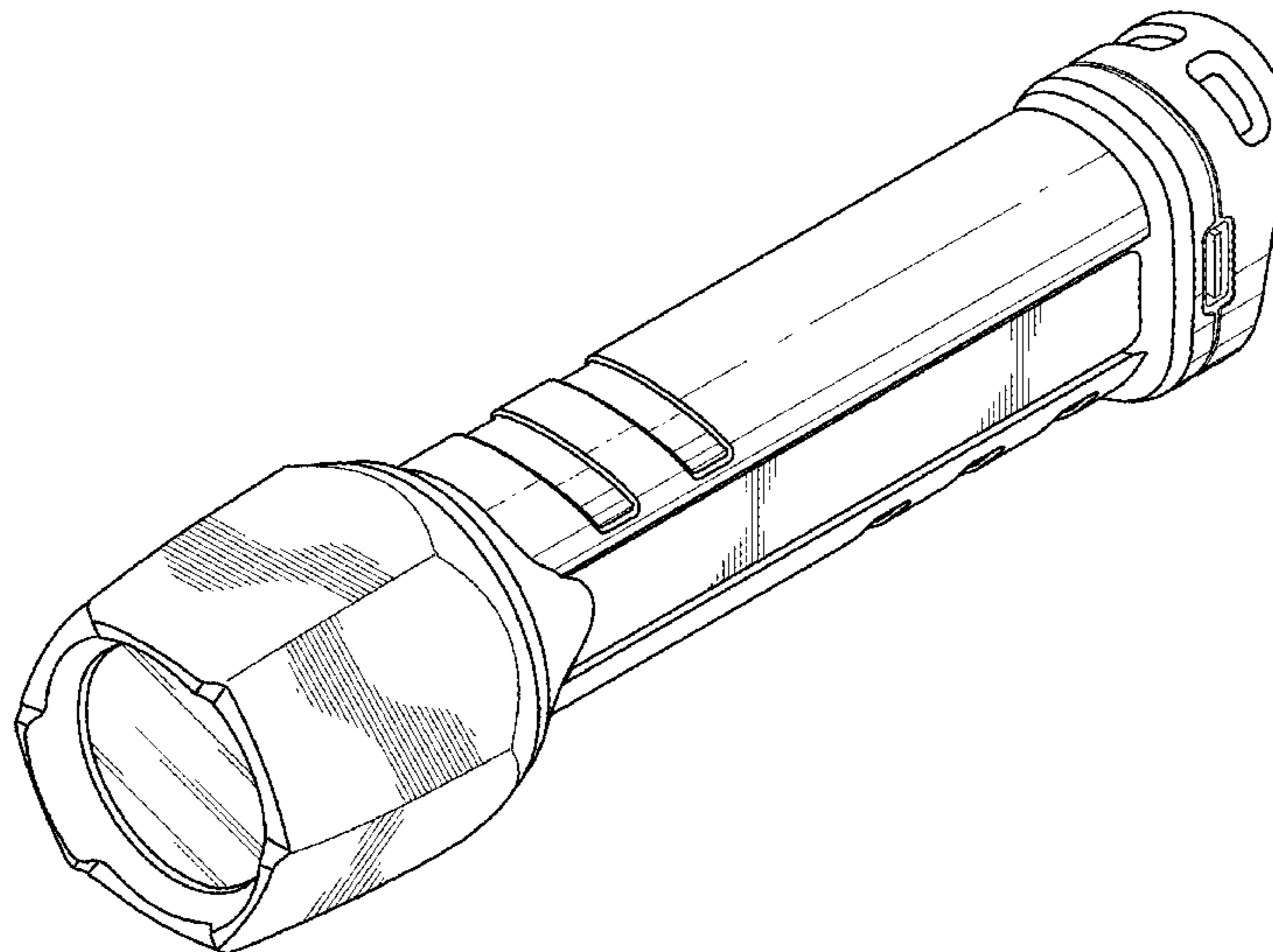
FIG. 5 is a bottom plan view of the handheld flashlight.

FIG. 6 is a front elevational view of the handheld flashlight; and,

FIG. 7 is a rear elevational view of the handheld flashlight.

The broken lines immediately adjacent the shaded areas represent the bounds of the claimed design while all other broken lines are directed to unclaimed portions of the design article; the broken lines form no part of the claimed design.

**1 Claim, 4 Drawing Sheets**



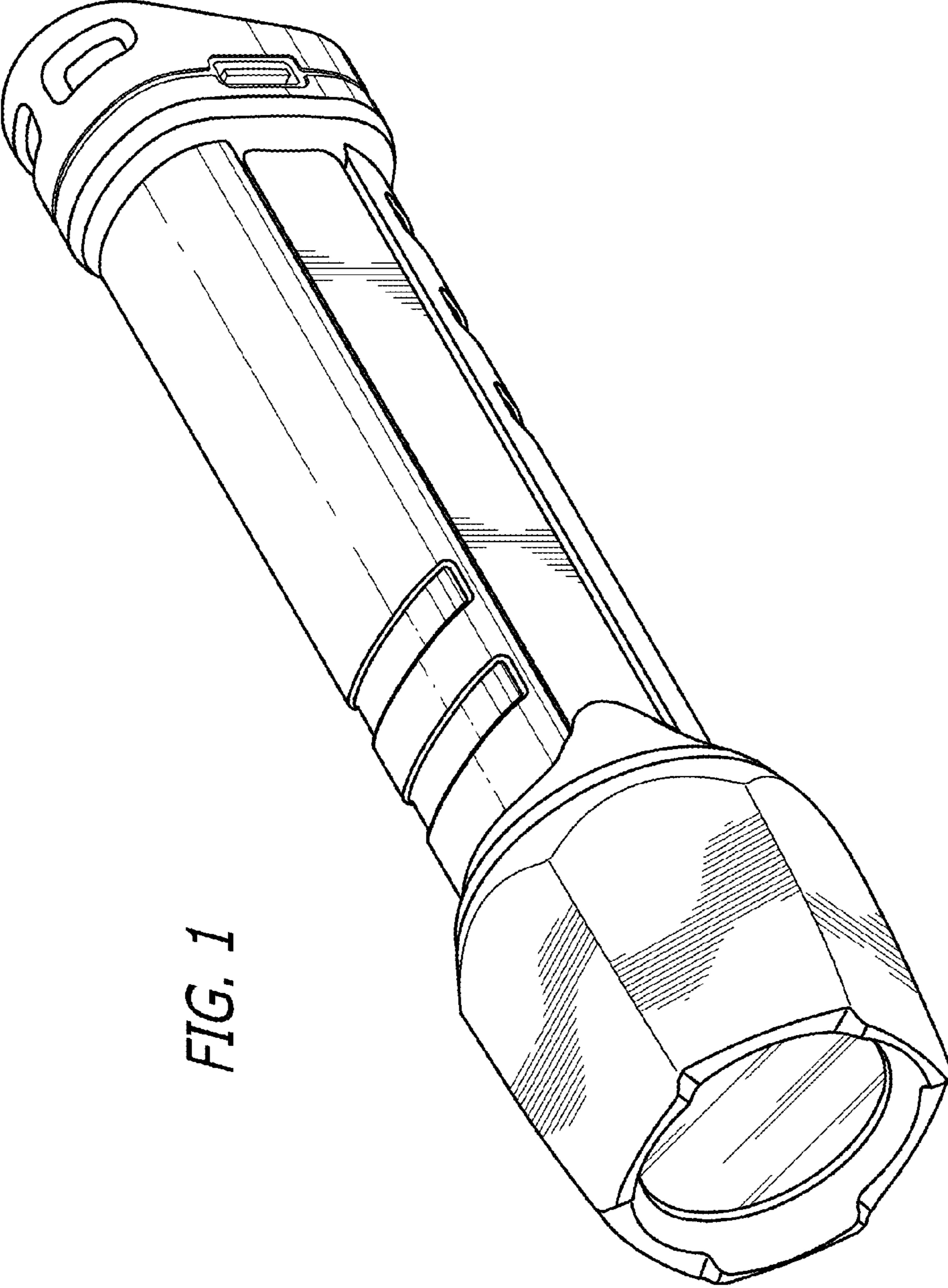


FIG. 1

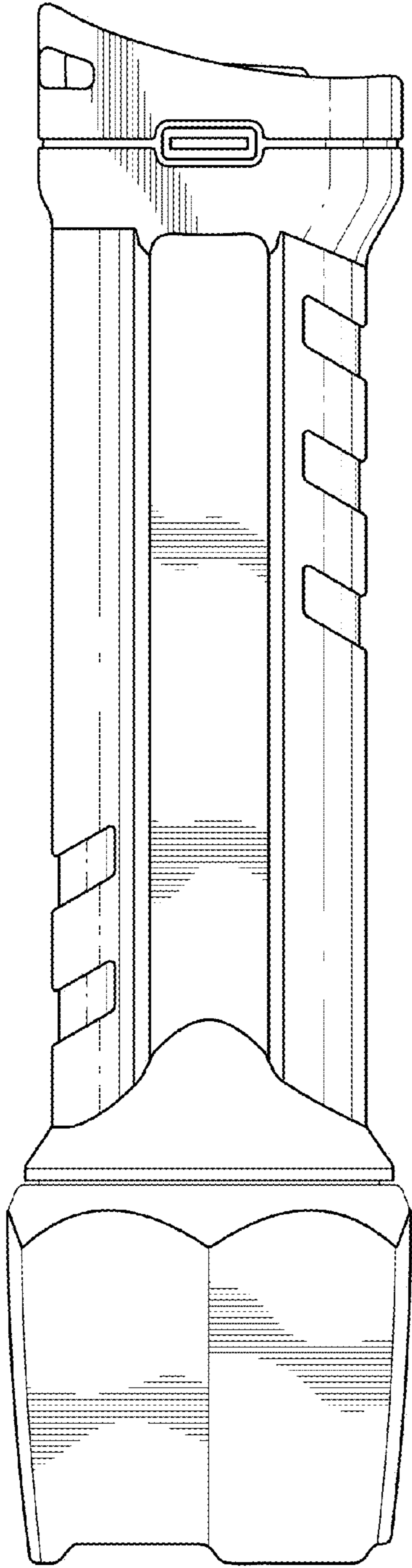


FIG. 2

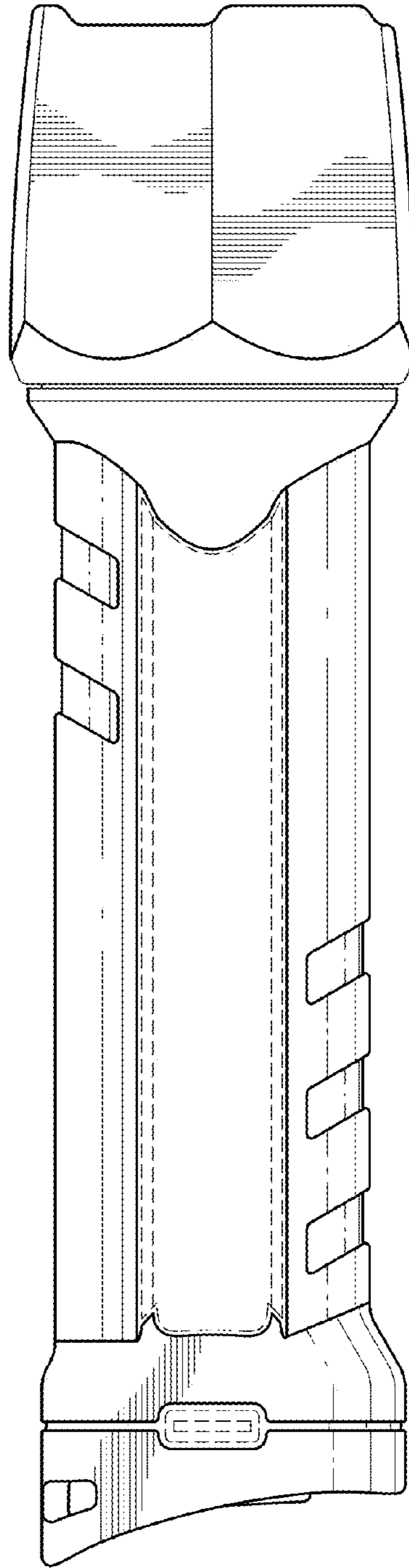
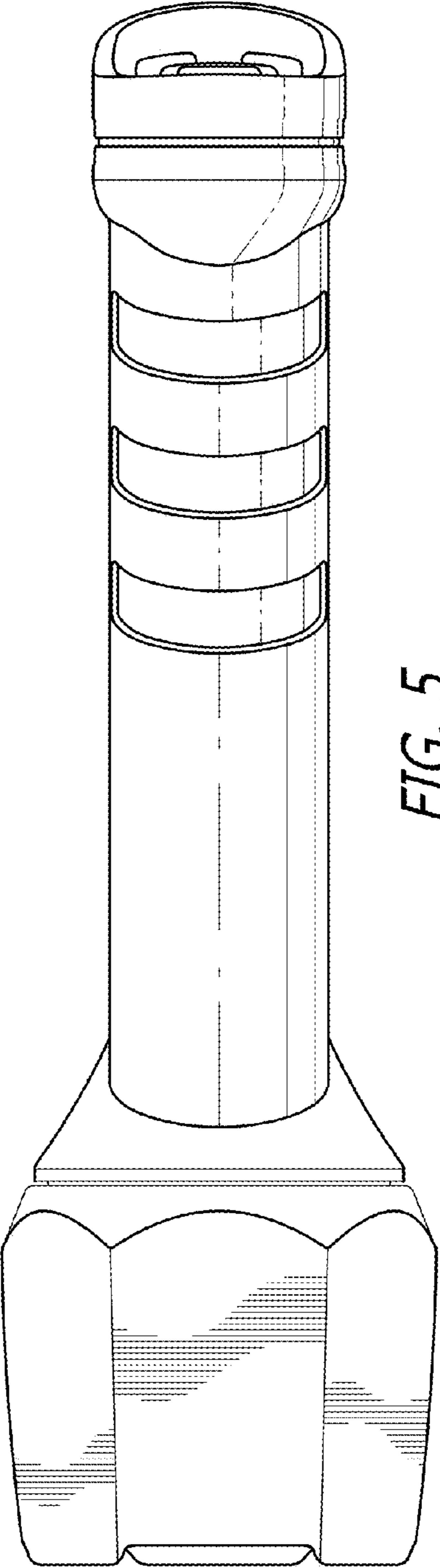
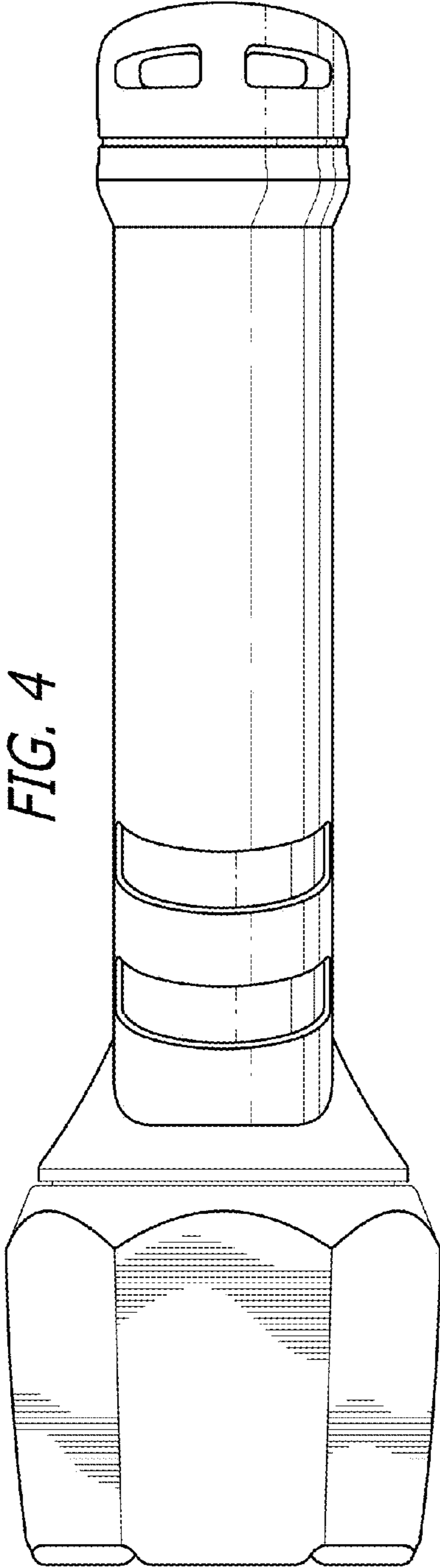


FIG. 3



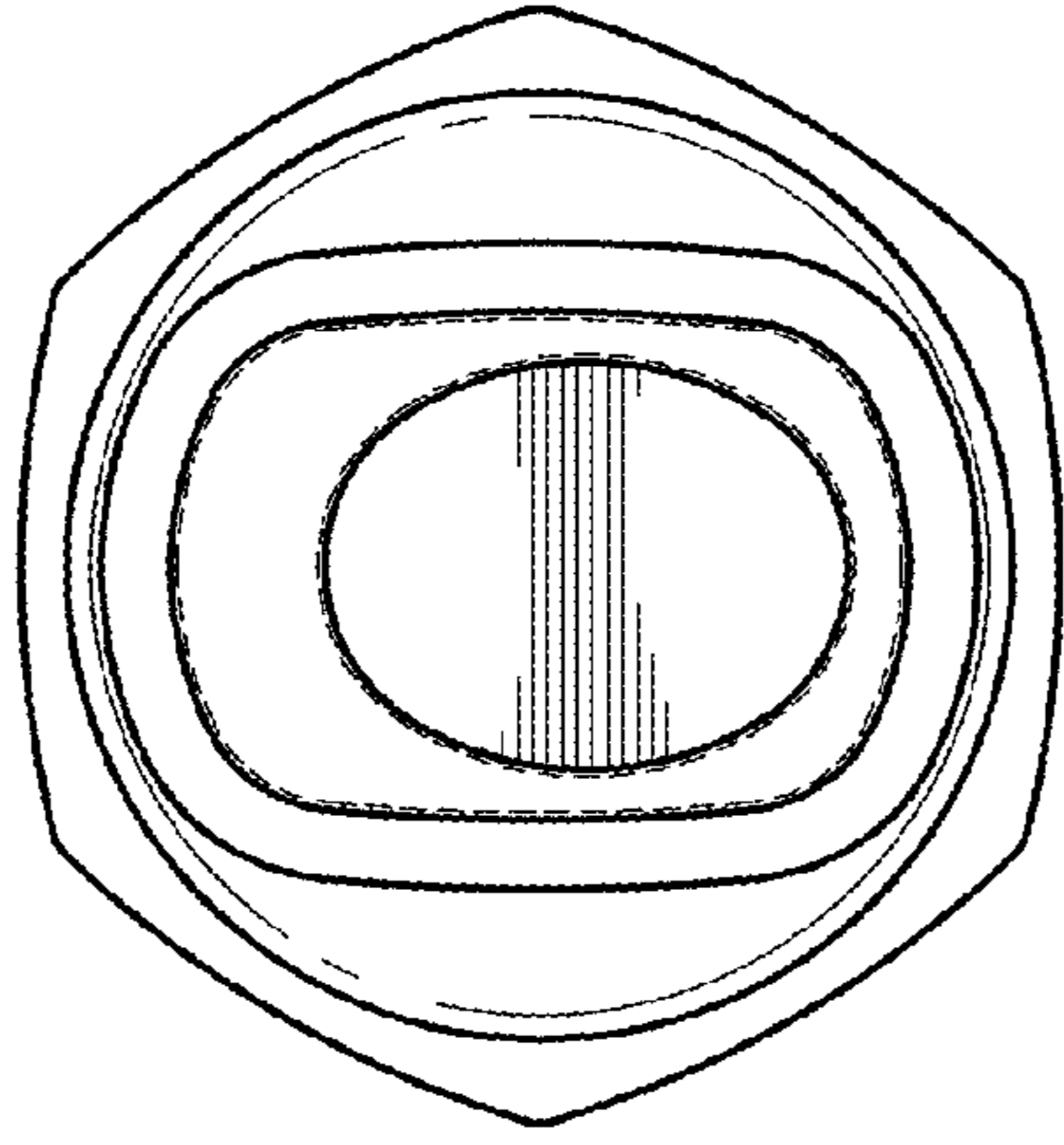


FIG. 7

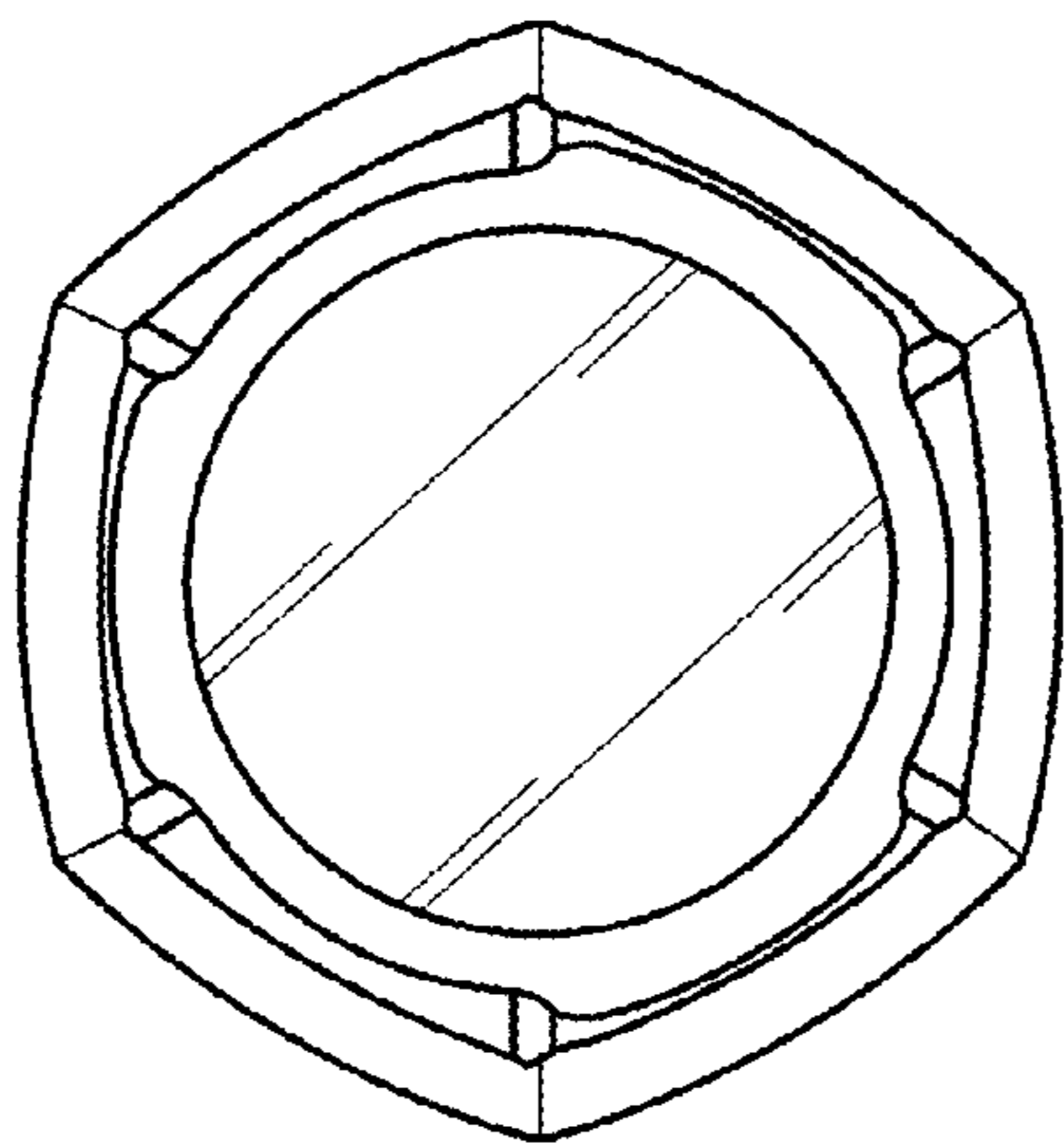


FIG. 6