



US00D767185S

(12) **United States Design Patent** (10) **Patent No.:** **US D767,185 S**
Schleder (45) **Date of Patent:** **** Sep. 20, 2016**

(54) **FLASHLIGHT**

(71) Applicant: **Zweibrüder Optoelectronics GmbH & Co. KG**, Solingen (DE)

(72) Inventor: **Tobias Schleder**, Portland, OR (US)

(73) Assignee: **Zweibrüder Optoelectronics GmbH & Co. KG**, Solingen (DE)

(**) Term: **14 Years**

(21) Appl. No.: **29/464,022**

(22) Filed: **Aug. 12, 2013**

(51) **LOC (10) Cl.** **26-02**

(52) **U.S. Cl.**
USPC **D26/49; D26/113**

(58) **Field of Classification Search**
USPC D26/37, 38, 39, 40, 41, 42, 49, 51, 60,
D26/29, 113; 362/183, 184, 194-196,
362/200-208, 253
CPC F21V 33/00; F21V 14/025; F21V 21/406;
F21Y 2101/02; F21L 17/00; F21L 13/08
See application file for complete search history.

(56) **References Cited**

U.S. PATENT DOCUMENTS

D263,170 S	2/1982	Maglica	
D306,492 S	3/1990	Sharrah	
D312,509 S	11/1990	Sharrah	
D351,245 S	10/1994	Maglica	
D353,217 S	12/1994	Maglica	
D370,543 S	6/1996	Huen	
D465,045 S	10/2002	Yamamoto et al.	
D479,354 S	9/2003	Sharrah et al.	
D497,020 S	10/2004	Lee	
D503,007 S	3/2005	Duscha et al.	
D504,740 S *	5/2005	Dalton et al.	D26/49

(Continued)

OTHER PUBLICATIONS

Design U.S. Appl. No. 29/460,098, filed Jul. 8, 2013, In re: Feustel entitled *Flashlight*.

Primary Examiner — Ian Simmons

Assistant Examiner — Carissa C Fitts

(74) *Attorney, Agent, or Firm* — Alston & Bird LLP

(57) **CLAIM**

I claim the ornamental design for a flashlight, as shown and described.

DESCRIPTION

The patent or application file contains at least one drawing executed in color. Copies of this patent or patent application publication with color drawing(s) will be provided by the Office upon request and payment of the necessary fee.

FIG. 1 is a perspective view of an embodiment of a flashlight according to my new design;

FIG. 2 is another perspective view thereof;

FIG. 3 is a right side elevation view thereof;

FIG. 4 is a bottom plan view thereof;

FIG. 5 is a left side elevation view thereof;

FIG. 6 is a top plan view thereof;

FIG. 7 is a front elevation view thereof; and

FIG. 8 is a rear elevation view thereof;

FIG. 9 is a perspective view of yet-another embodiment of a flashlight according to my new design;

FIG. 10 is another perspective view thereof;

FIG. 11 is a right side elevation view thereof;

FIG. 12 is a bottom plan view thereof;

FIG. 13 is a left side elevation view thereof;

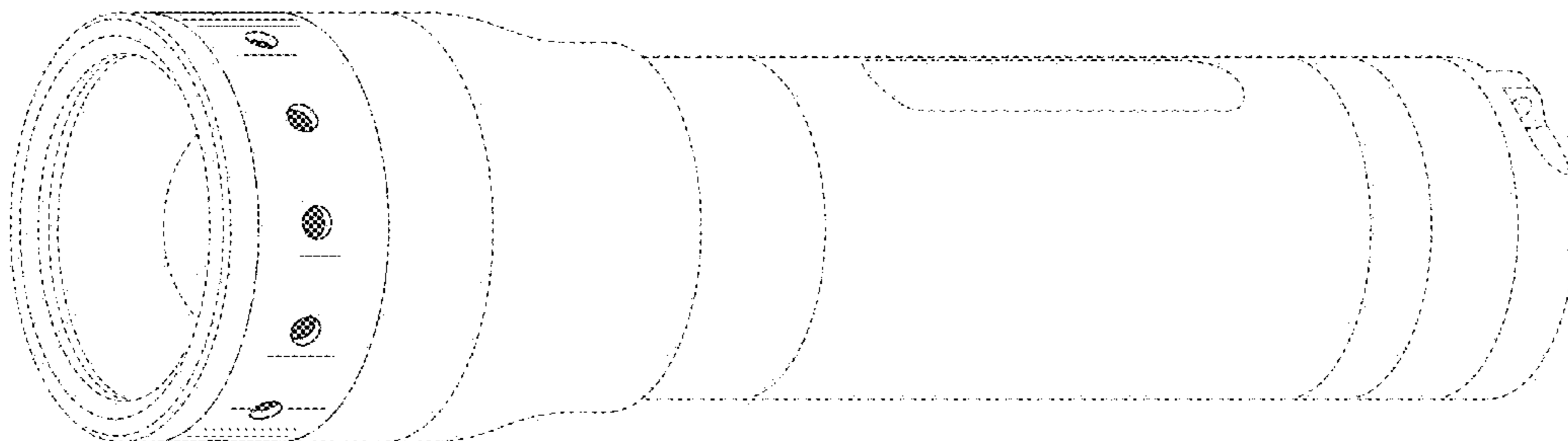
FIG. 14 is a top plan view thereof;

FIG. 15 is a front elevation view thereof; and,

FIG. 16 is a rear elevation view thereof.

Broken lines immediately adjacent shaded areas represent bounds of the claimed design. Dash-dot-dash broken lines represent bounds of the claimed design. All other broken lines are directed to unclaimed features. The broken lines form no part of the claimed design.

1 Claim, 14 Drawing Sheets
(6 of 14 Drawing Sheet(s) Filed in Color)



(56)

References Cited

U.S. PATENT DOCUMENTS

D507,366 S *	7/2005	Opolka	D26/37	D531,743 S *	11/2006	Opolka	D26/37
D510,637 S	10/2005	Chan			D548,862 S *	8/2007	Opolka et al.	D26/37
D513,642 S	1/2006	Zhang			D557,840 S	12/2007	Shiu et al.		
D516,738 S *	3/2006	Lin	D26/37	D563,007 S *	2/2008	Opolka	D26/49
D525,379 S *	7/2006	Maxik et al.	D26/37	D582,592 S	12/2008	Opolka		
D527,126 S *	8/2006	Opolka	D26/37	D583,087 S *	12/2008	Opolka	D26/49
D527,481 S *	8/2006	Opolka	D26/49	D595,440 S	6/2009	Rivera et al.		
D528,689 S *	9/2006	Opolka	D26/37	D601,287 S	9/2009	Caniparoli		
					D607,591 S	1/2010	Rivera et al.		
					D637,748 S	5/2011	Caniparoli		
					D720,091 S *	12/2014	Huang	D26/49

* cited by examiner

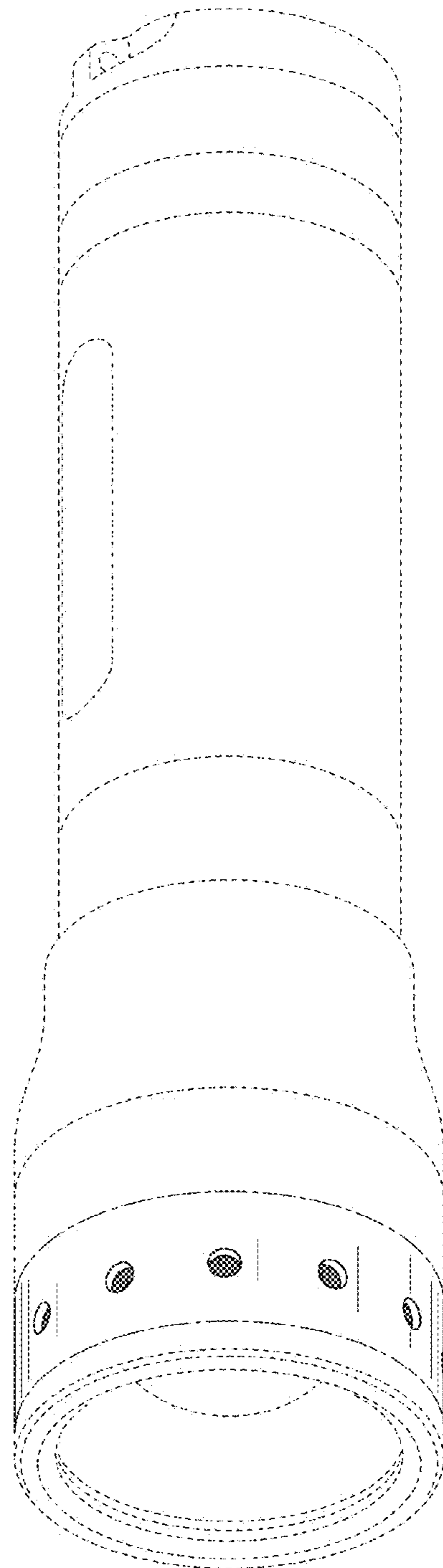


FIG. 1

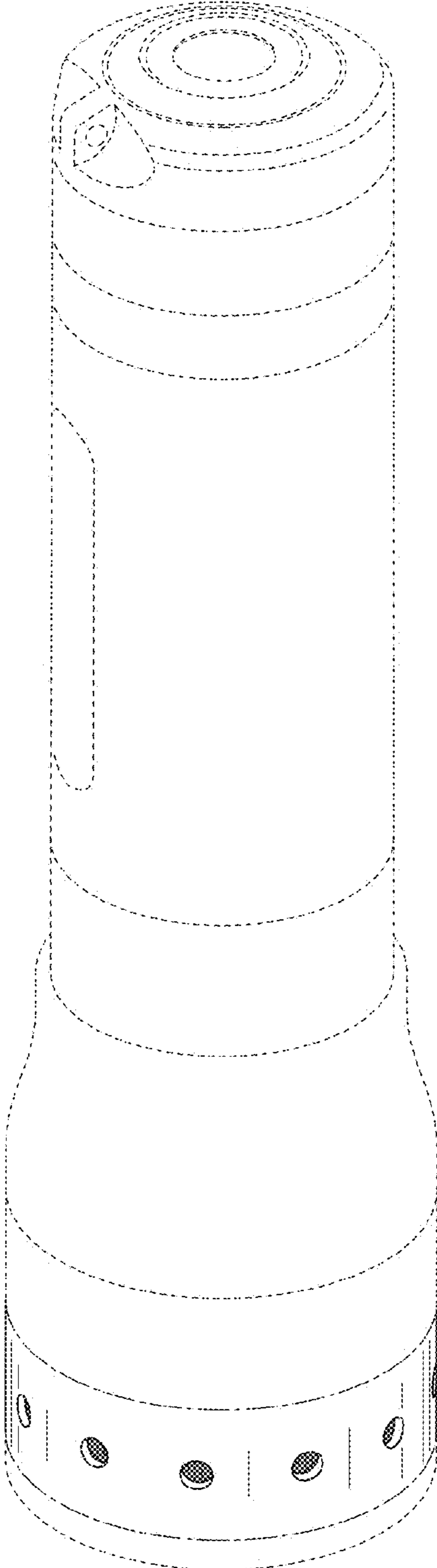


FIG. 2

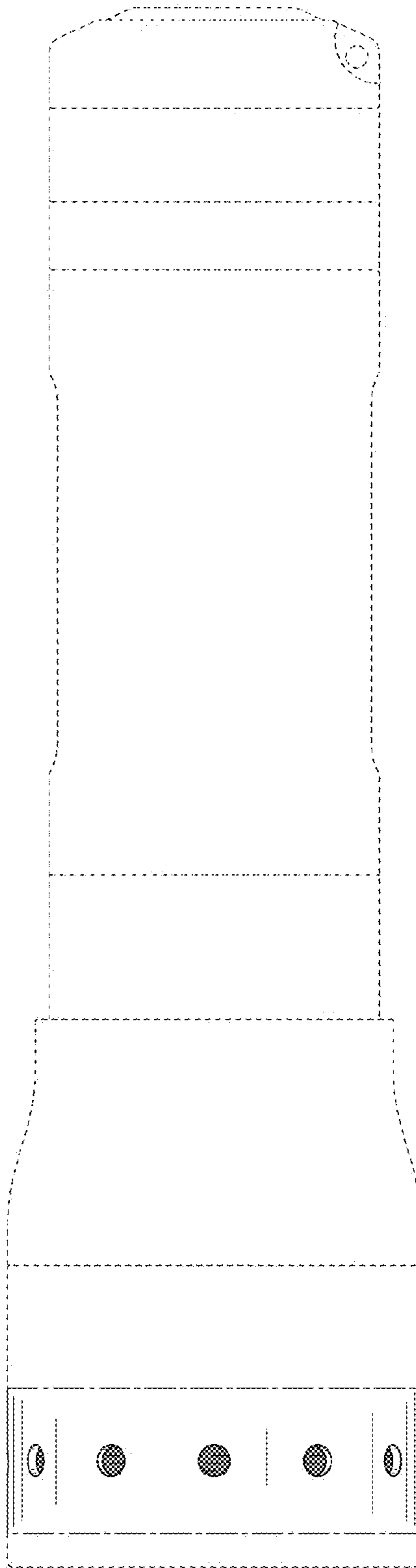


FIG. 3

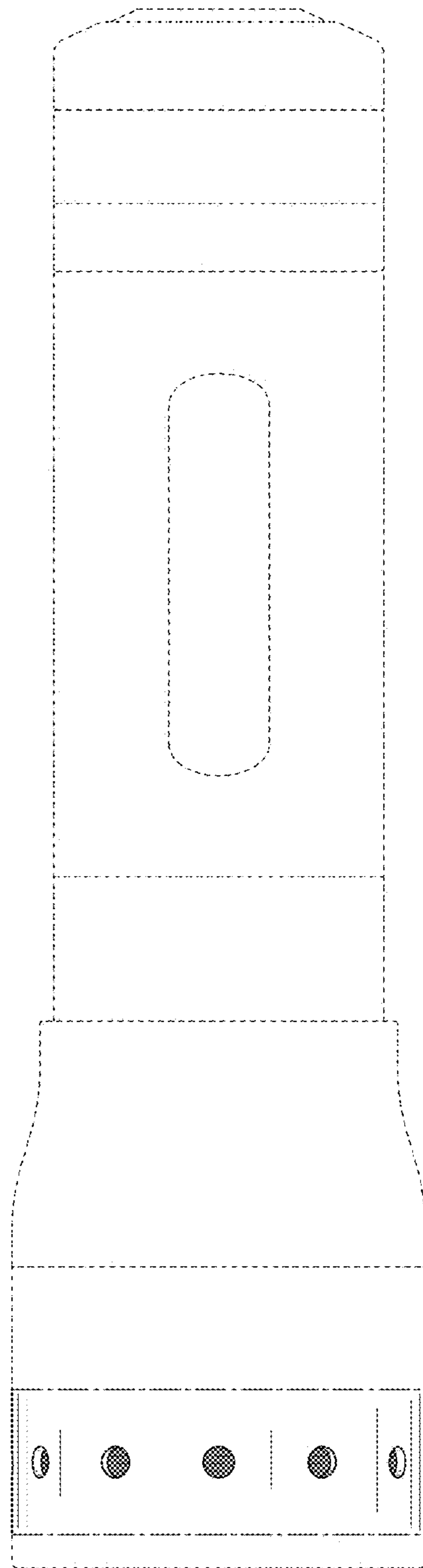


FIG. 4

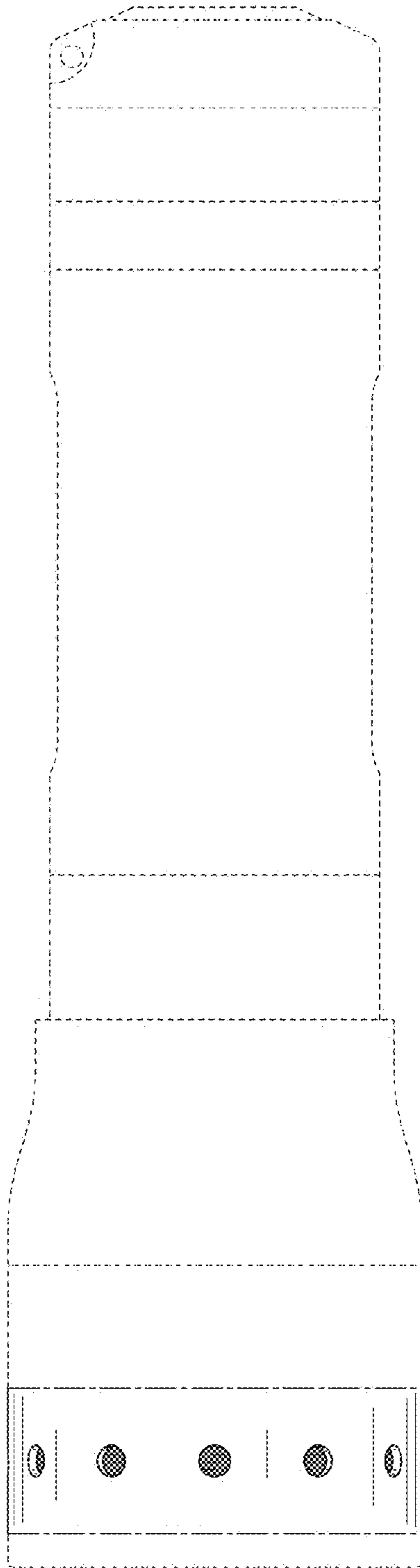


FIG. 5

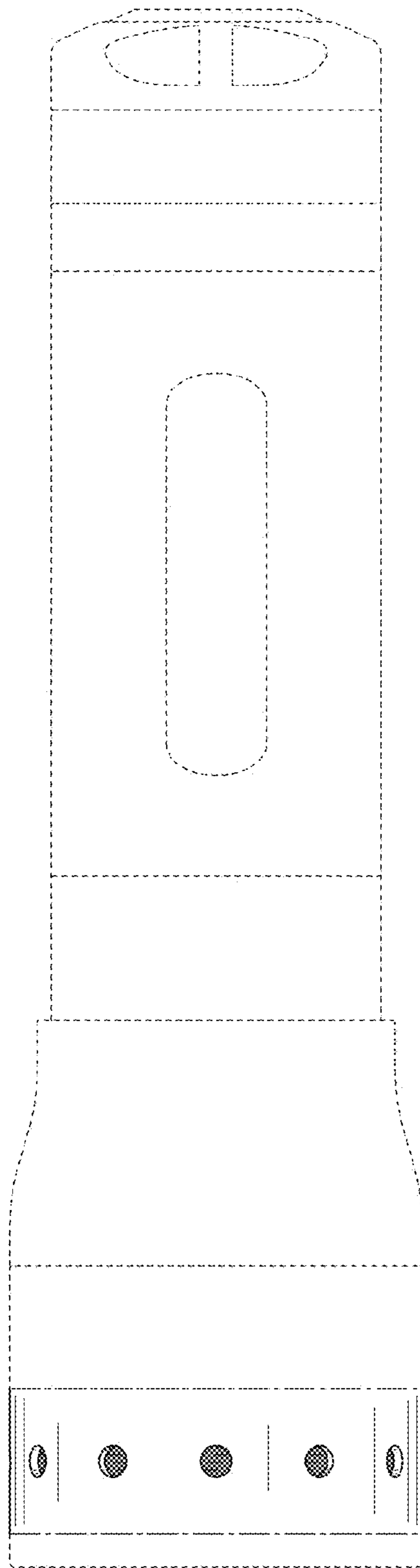


FIG. 6

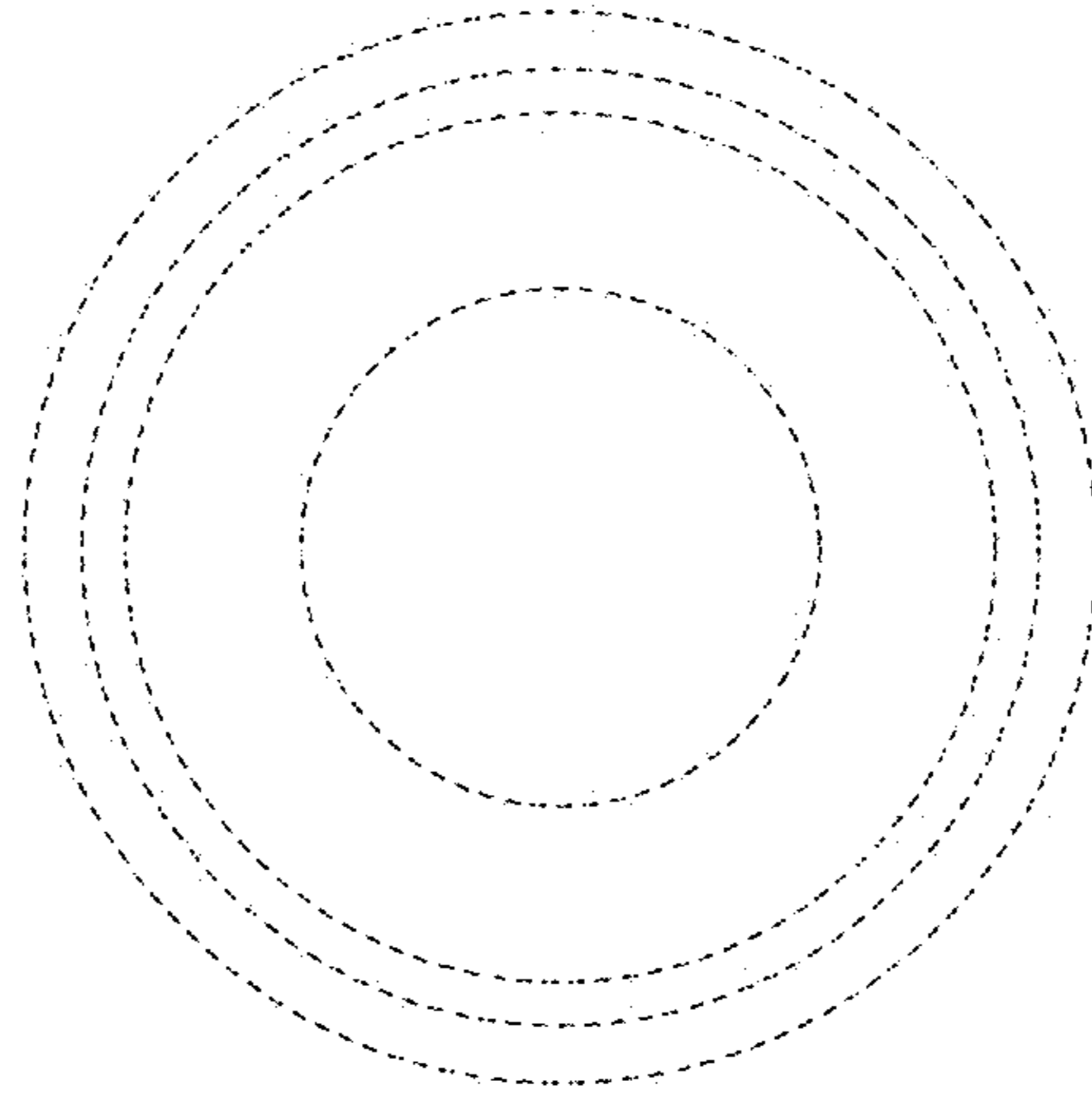


FIG. 7

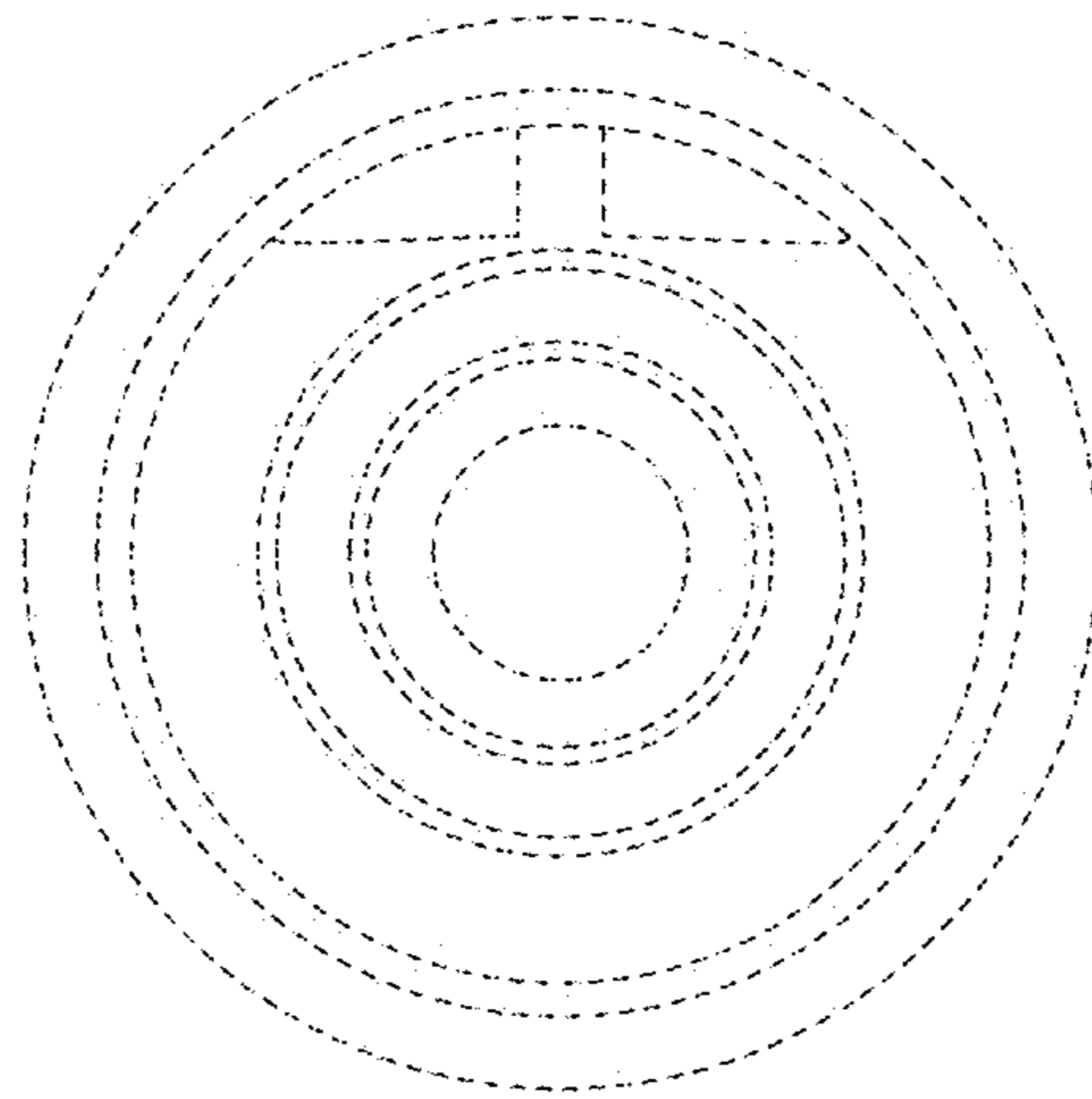


FIG. 8

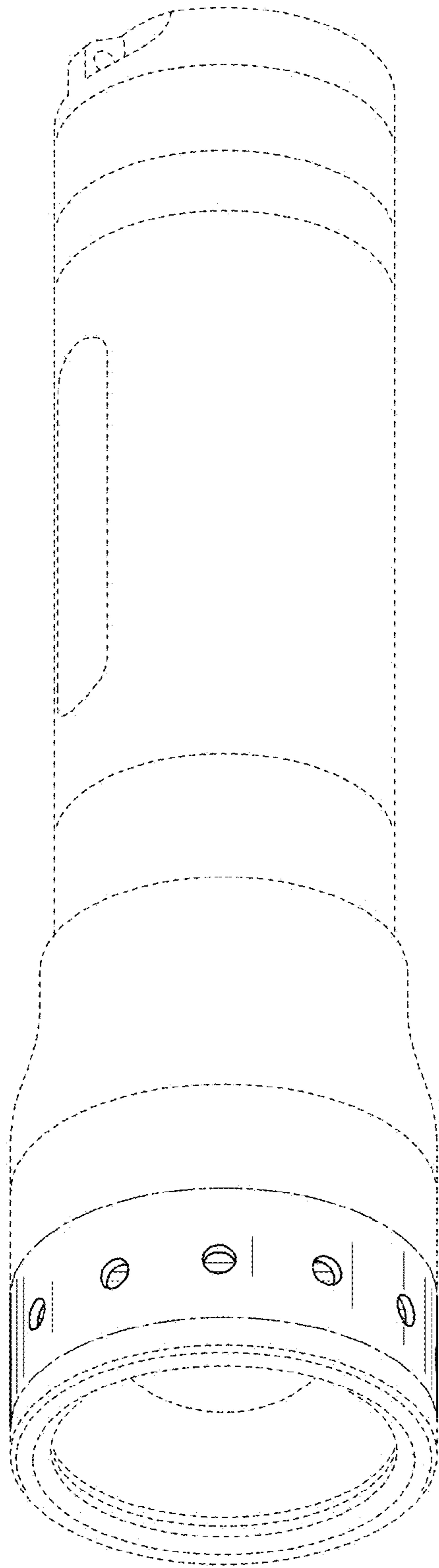


FIG. 9

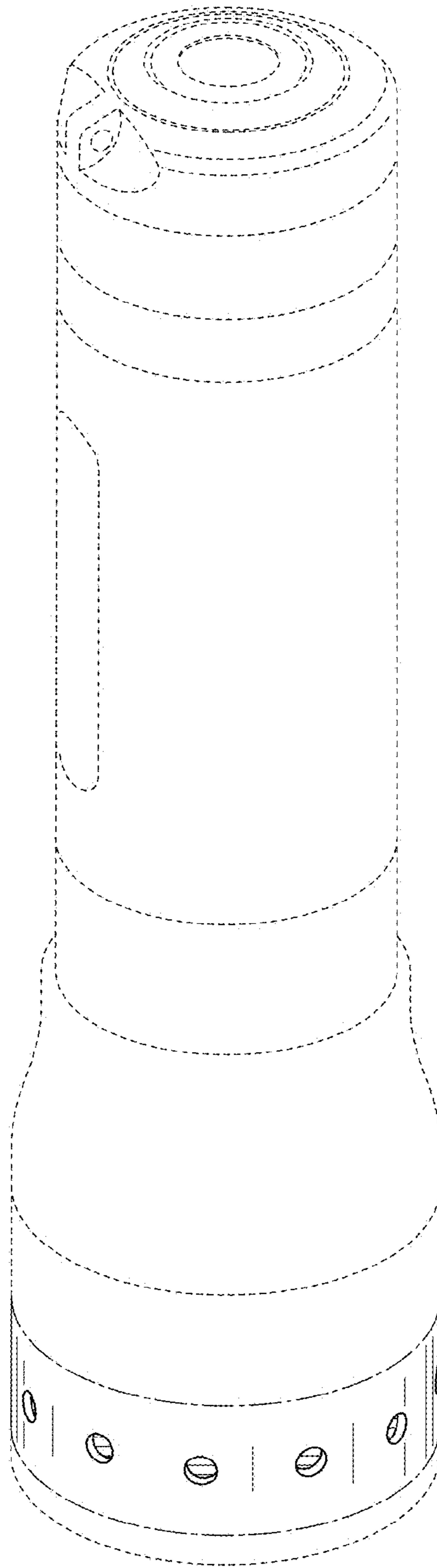


FIG. 10

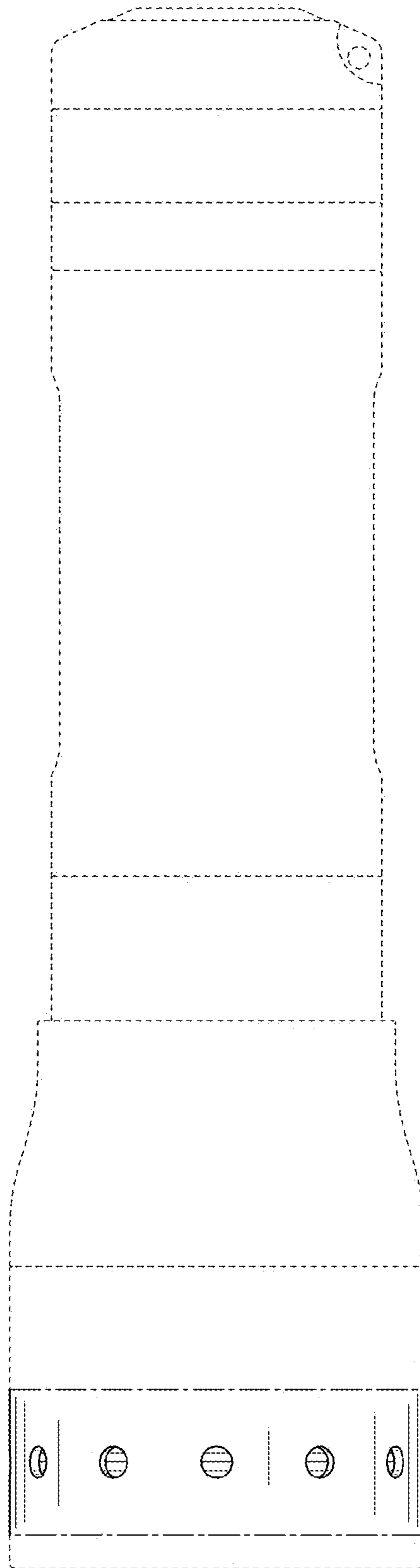


FIG. 11

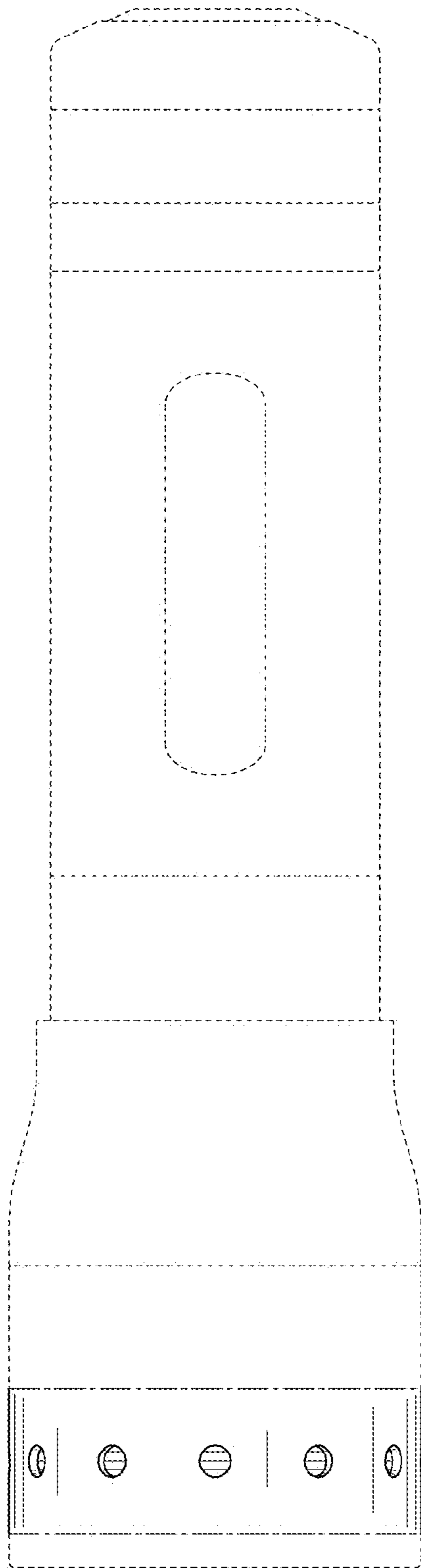


FIG. 12

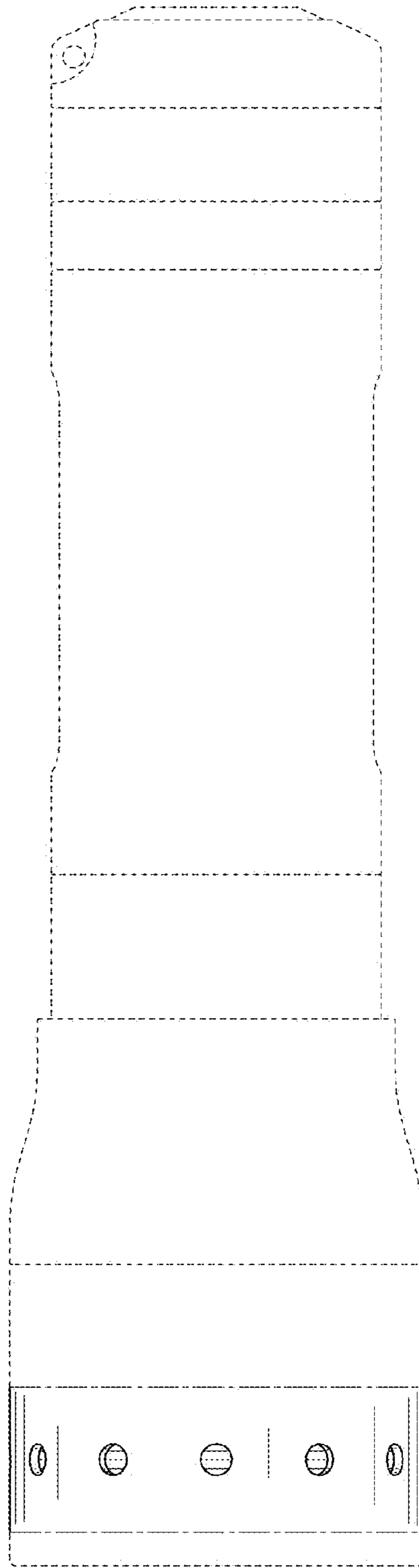


FIG. 13

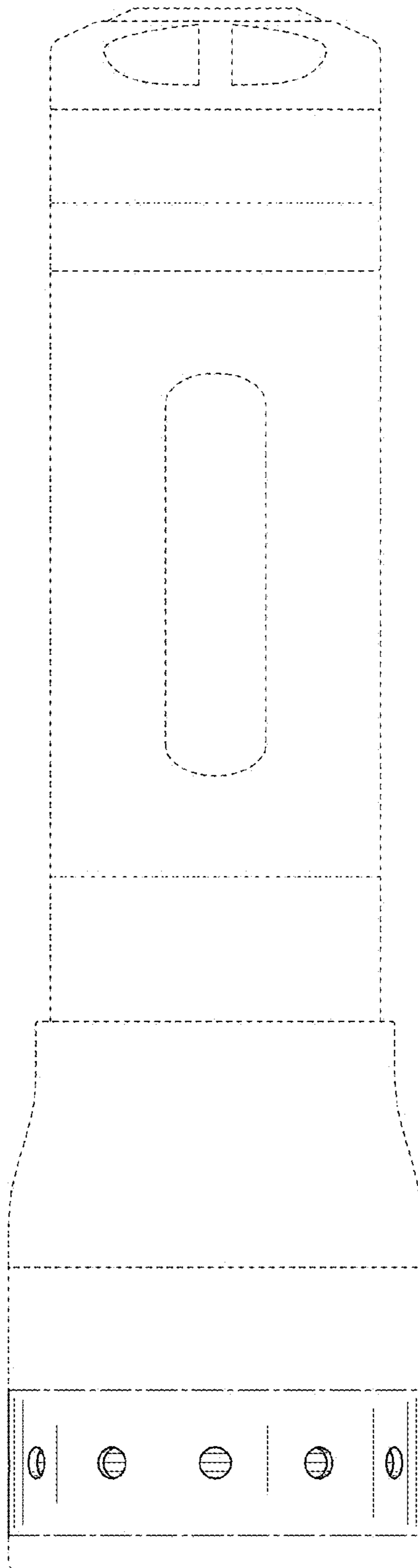


FIG. 14

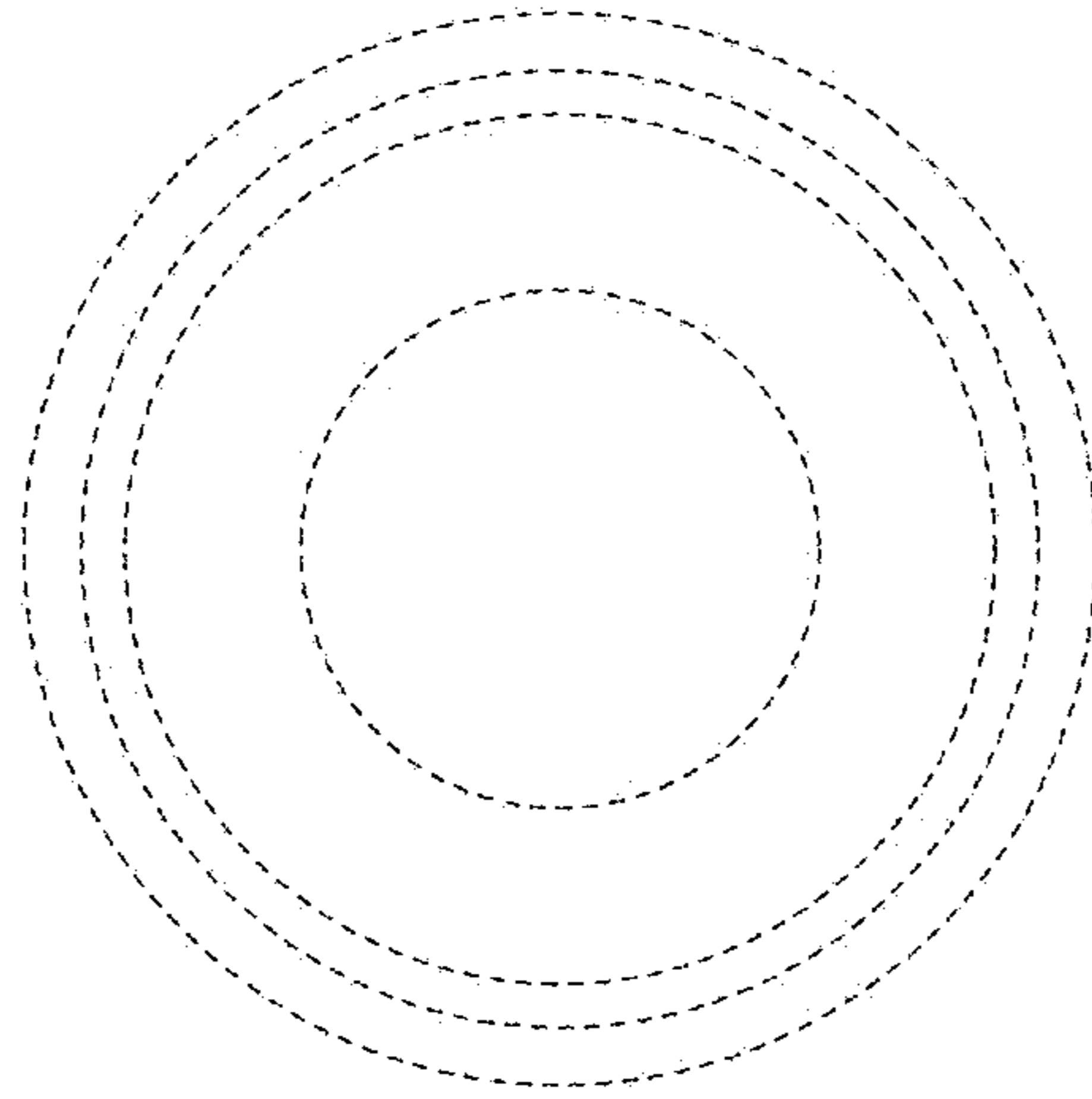


FIG. 15

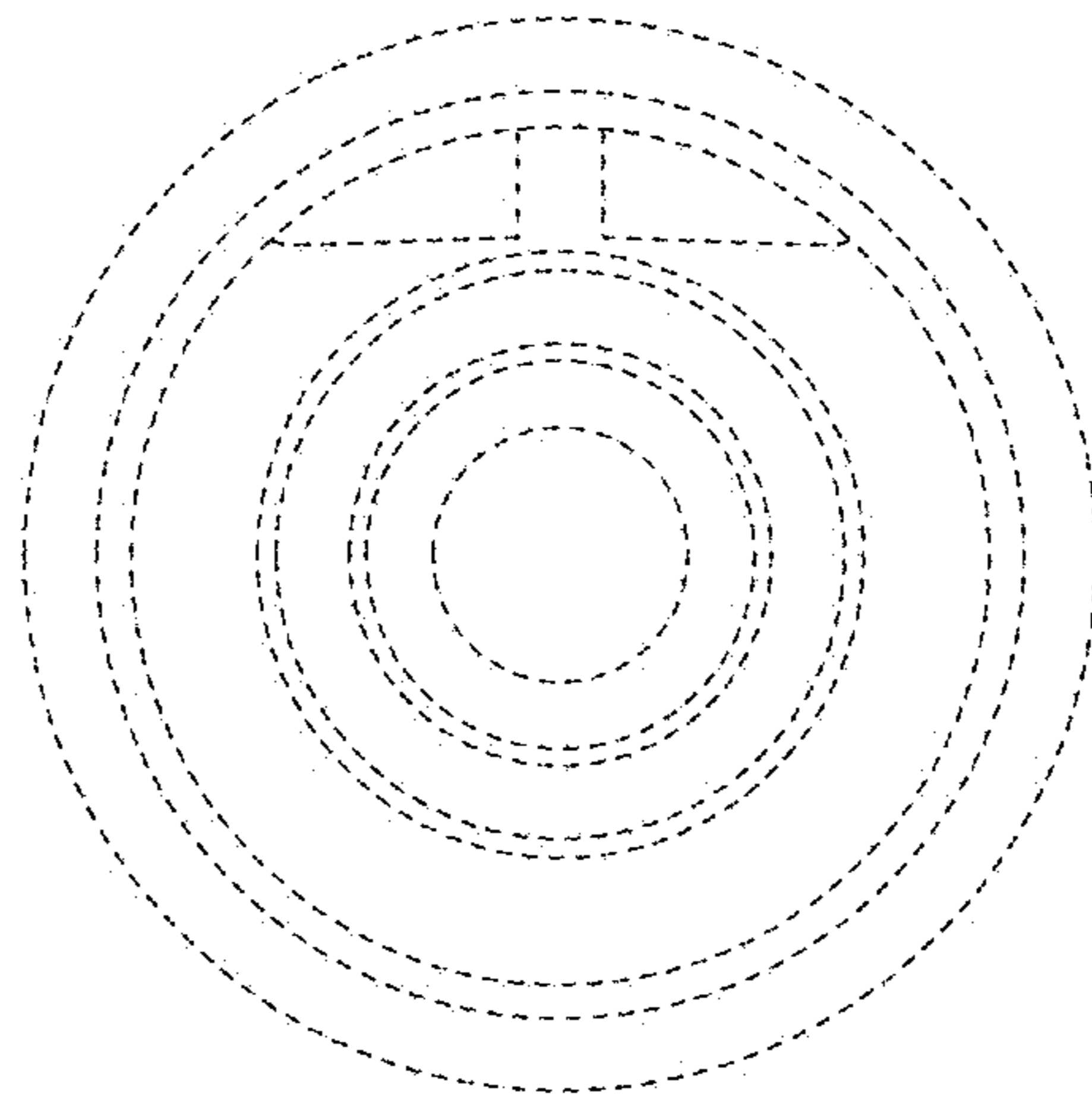


FIG. 16

UNITED STATES PATENT AND TRADEMARK OFFICE
CERTIFICATE OF CORRECTION

PATENT NO. : D767,185 S
APPLICATION NO. : 29/464022
DATED : September 20, 2016
INVENTOR(S) : Schleder

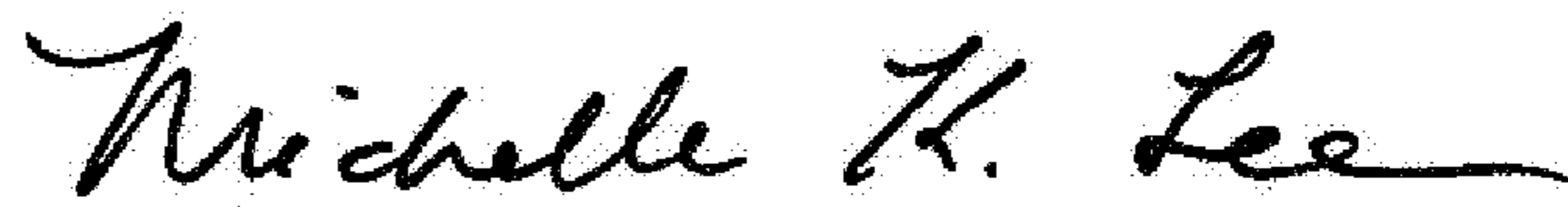
Page 1 of 1

It is certified that error appears in the above-identified patent and that said Letters Patent is hereby corrected as shown below:

On the Title Page

In the DESCRIPTION, "FIG. 9 is a perspective view of yet-another embodiment of a flashlight according to my new design;" should read --FIG. 9 is a perspective view of another embodiment of a flashlight according to my new design;--.

Signed and Sealed this
Sixth Day of June, 2017



Michelle K. Lee
Director of the United States Patent and Trademark Office