

US00D767184S

(12) **United States Design Patent** (10) **Patent No.:** **US D767,184 S**
Fitch et al. (45) **Date of Patent:** **** Sep. 20, 2016**

- (54) **SWIVEL LIGHT**
- (71) Applicant: **Energizer Brands, LLC**, Saint Louis, MO (US)
- (72) Inventors: **Jonathan Alexander Fitch**, Skaneateles, NY (US); **Todd Abernethy**, Skaneateles, NY (US); **Donwoong Kang**, Camillus, NY (US)
- (73) Assignee: **Energizer Brands, LLC**, Saint Louis, MO (US)
- (**) Term: **15 Years**
- (21) Appl. No.: **29/532,608**
- (22) Filed: **Jul. 8, 2015**
- (51) **LOC (10) Cl.** **26-02**
- (52) **U.S. Cl.**
USPC **D26/44**
- (58) **Field of Classification Search**
USPC D26/37, 38, 40, 42, 44, 51; 362/157, 362/158, 183, 184, 194-196, 200-208, 253
CPC F21L 2003/00; F21L 4/00; F21L 4/005; F21L 4/02; F21L 4/025; F21L 4/027; F21L 4/04; F21L 4/08; F21L 2005/00; F21L 7/00; F21L 11/00; F21L 13/00; F21L 13/04; F21L 13/08; F21L 14/02; F21L 17/00; F21L 19/00
See application file for complete search history.

D455,854 S *	4/2002	Smith	D26/37
D499,501 S *	12/2004	Chan	D26/42
D500,154 S *	12/2004	Lee	D26/42
D545,469 S *	6/2007	Wikle	D26/42
D564,113 S *	3/2008	Yuen	D26/42
D567,418 S *	4/2008	Gilbert	D26/43
D590,971 S *	4/2009	Spartano	D26/44
D599,925 S *	9/2009	Kingston	D26/44
D605,795 S *	12/2009	Baker	D26/44
D620,161 S *	7/2010	Kang	D26/45
D651,334 S *	12/2011	Yuen	D26/50
D681,246 S *	4/2013	Keeley	D26/44
D681,858 S *	5/2013	Sharrah	D26/45
D712,080 S *	8/2014	Trude	D26/37
D742,569 S *	11/2015	Dorman	D26/42
D752,263 S *	3/2016	Keeley	D26/44

* cited by examiner

Primary Examiner — Lakiya Rogers
Assistant Examiner — Carissa C Fitts
(74) *Attorney, Agent, or Firm* — McDonald Hopkins LLC

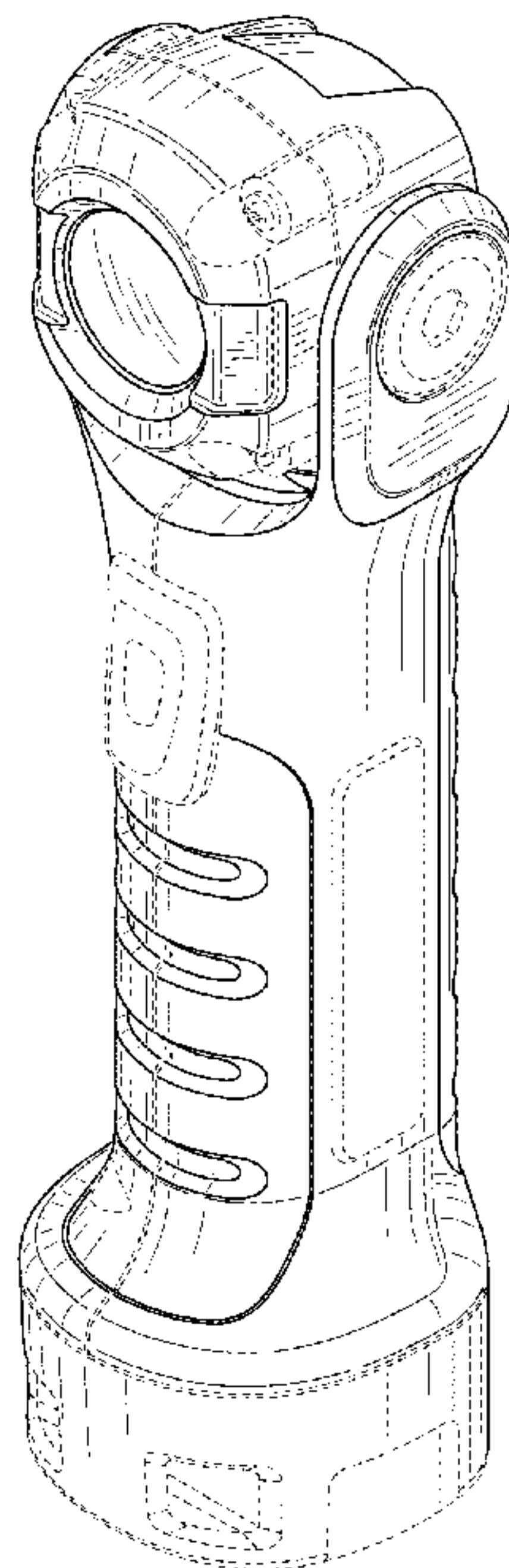
(57) **CLAIM**
The ornamental design for a swivel light, as shown and described.

DESCRIPTION

FIG. 1 is a front perspective view of the design;
FIG. 2 is a front view of the design;
FIG. 3 is a rear view of the design;
FIG. 4 is a first side view of the design;
FIG. 5 is a second side view of the design;
FIG. 6 is a top view of the design; and,
FIG. 7 is a bottom view of the design.
The broken line showing represents unclaimed portions of the article and forms no part of the claimed design.

1 Claim, 6 Drawing Sheets

- (56) **References Cited**
U.S. PATENT DOCUMENTS
D375,570 S * 11/1996 Hayakawa D26/44
D420,156 S * 2/2000 Poon D26/38



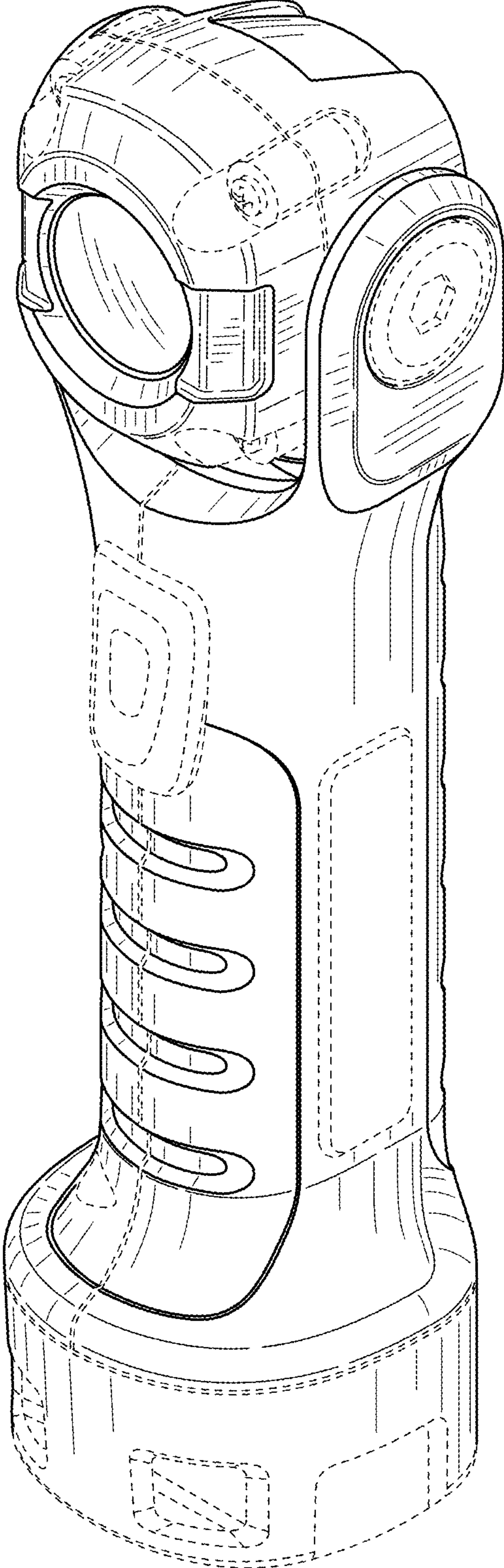


FIG. 1

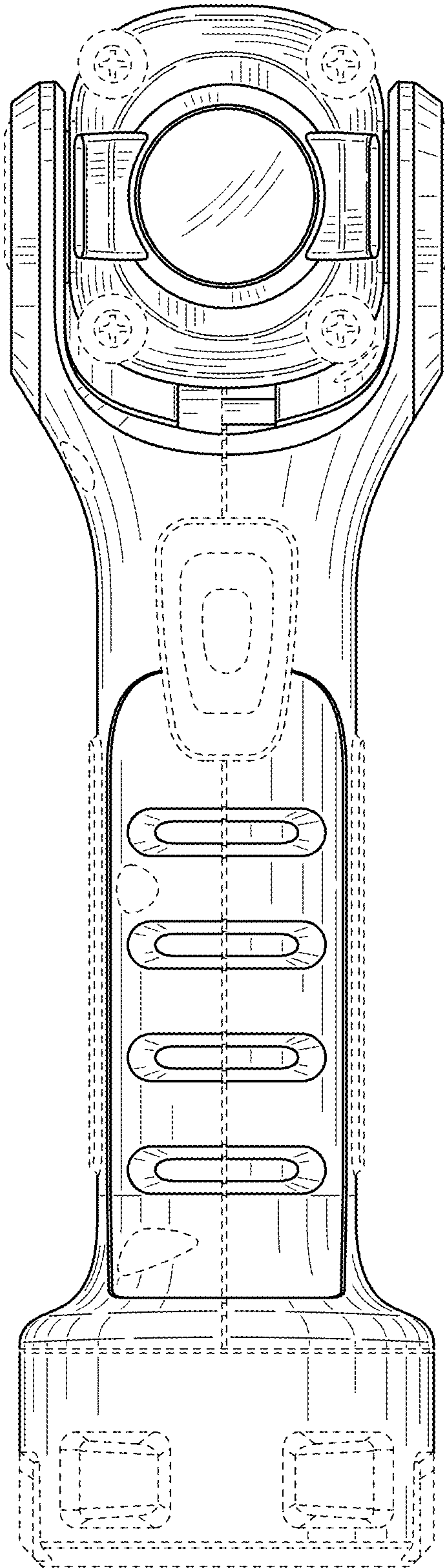


FIG. 2

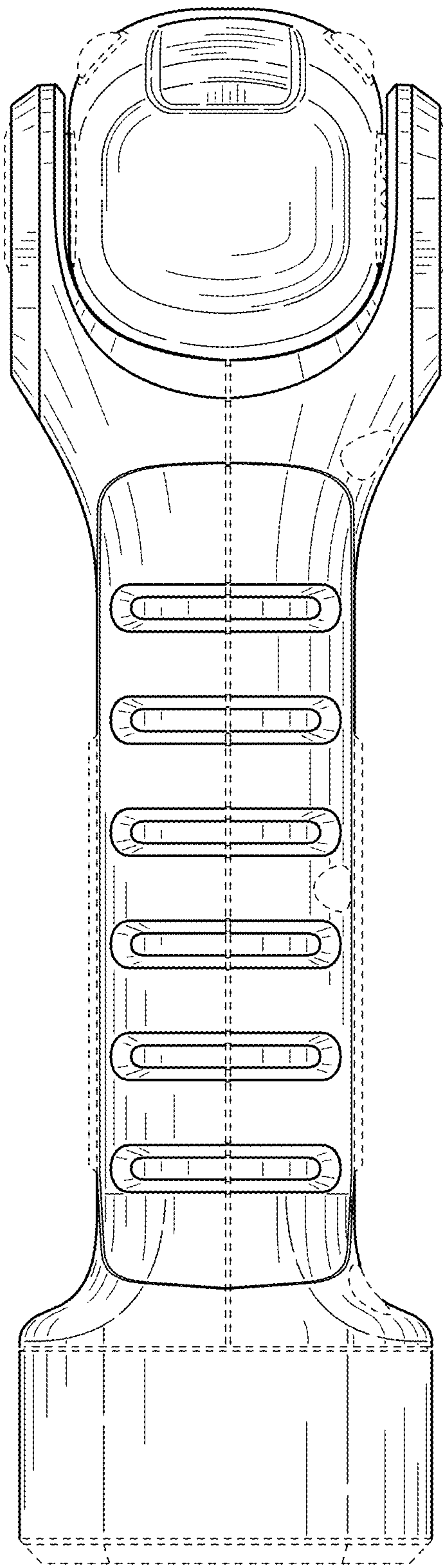


FIG. 3

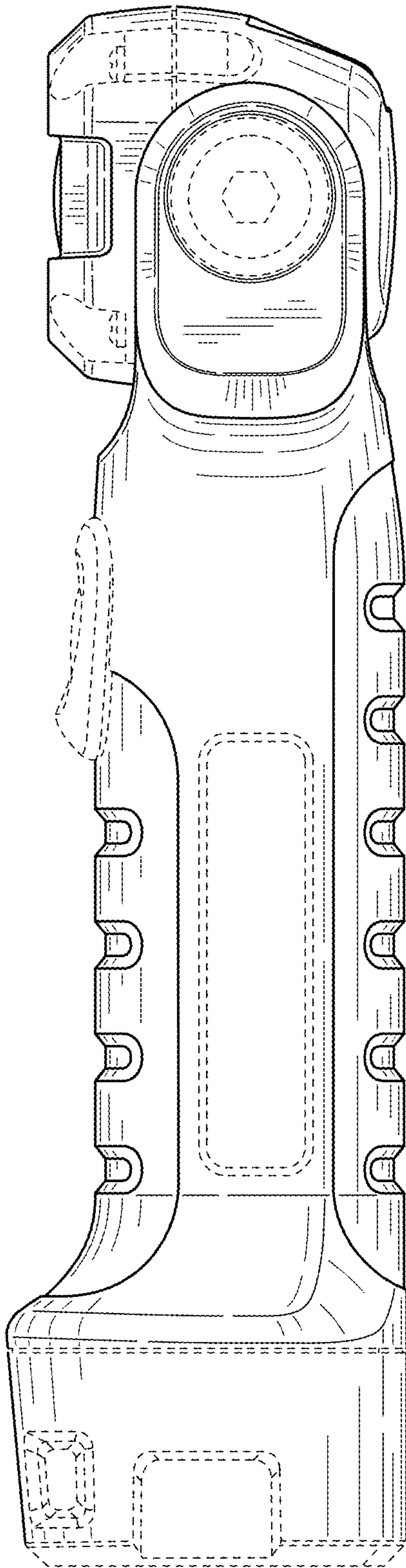


FIG. 4

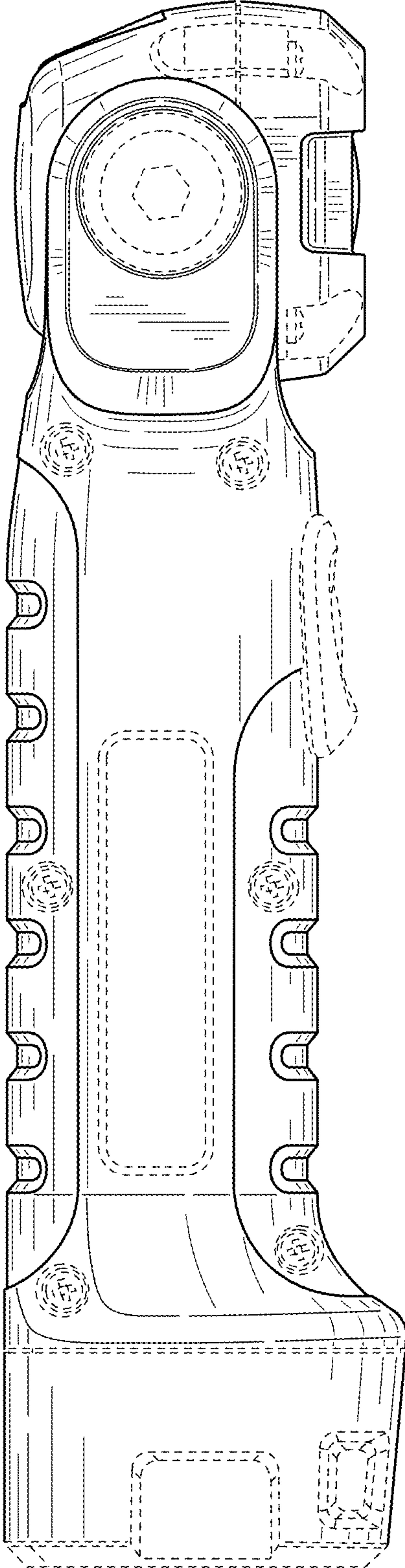


FIG. 5

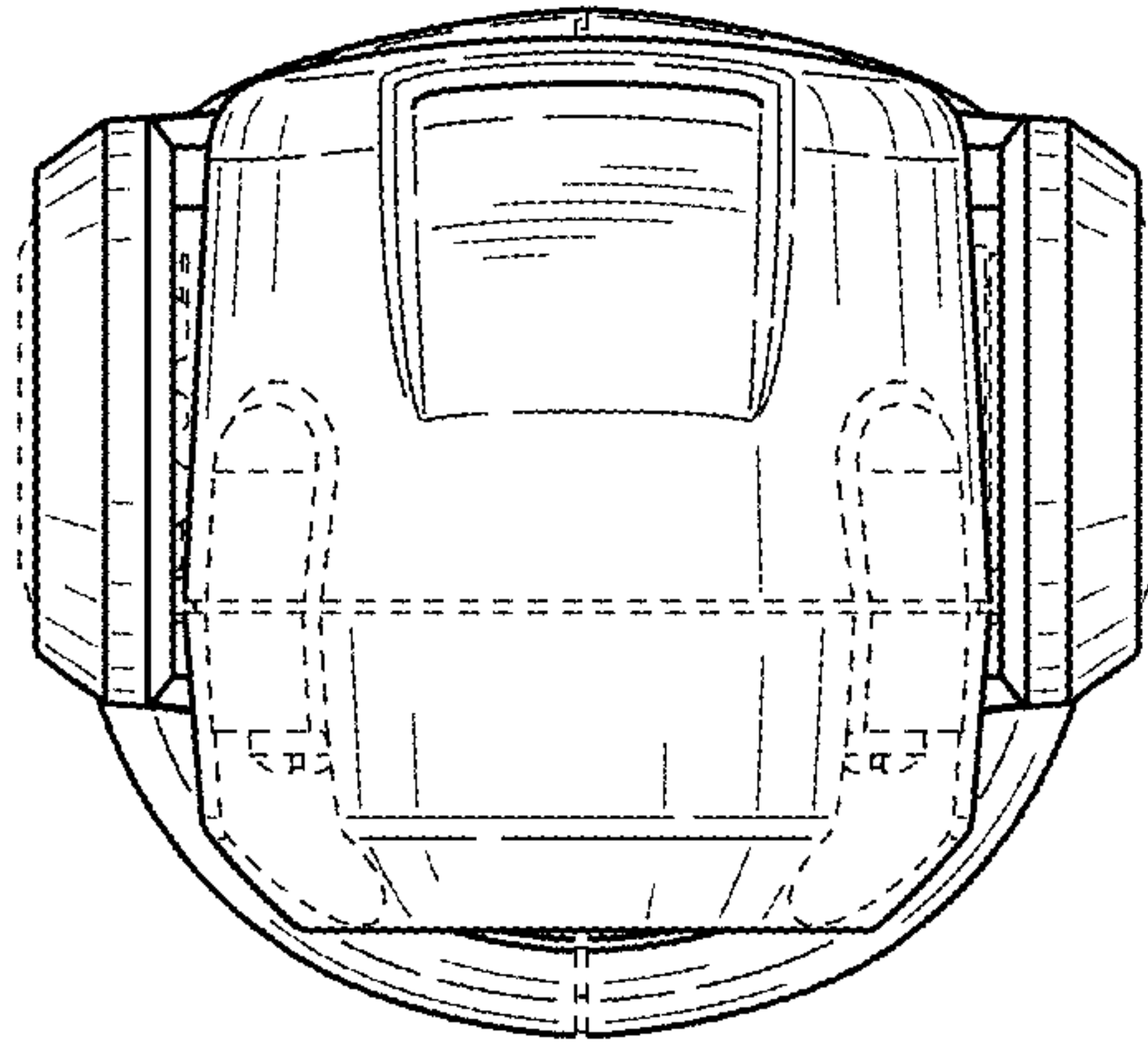


FIG. 6

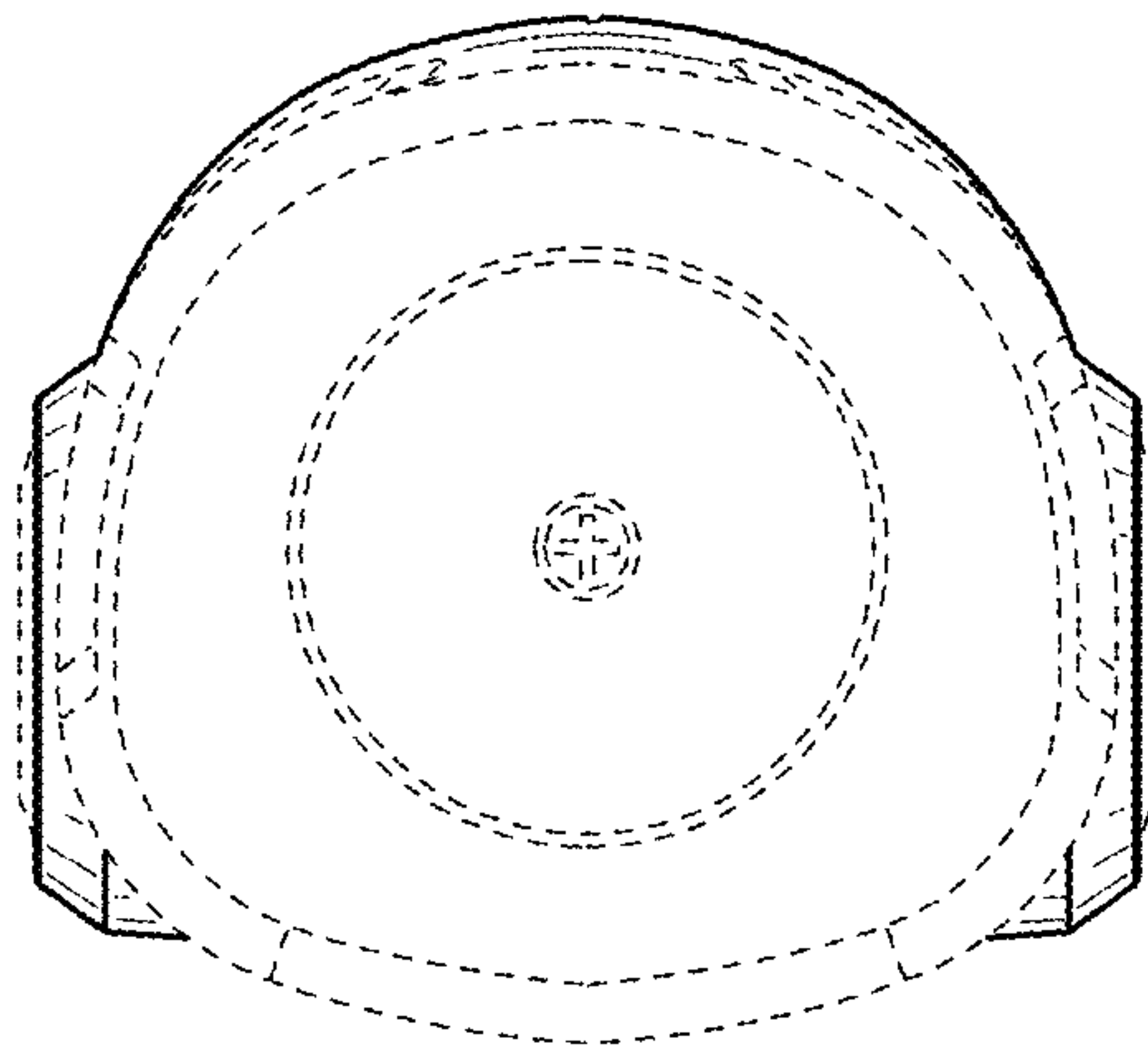


FIG. 7