



US00D767179S

(12) **United States Design Patent**
Lai

(10) **Patent No.:** **US D767,179 S**

(45) **Date of Patent:** **** Sep. 20, 2016**

(54) **EXTERIOR SURFACE CONFIGURATION
FOR A VEHICLE HEADLIGHT**

D544,114 S * 6/2007 Ohta D26/28
D561,358 S * 2/2008 Tachibana D26/28

* cited by examiner

(71) Applicant: **Ching-Tsung Lai**, Tainan (TW)

Primary Examiner — Marcus Jackson

(72) Inventor: **Ching-Tsung Lai**, Tainan (TW)

(**) Term: **15 Years**

(57) **CLAIM**

An ornamental design for an exterior surface configuration for a vehicle headlight, as shown and described.

(21) Appl. No.: **29/537,597**

(22) Filed: **Aug. 27, 2015**

(51) **LOC (10) Cl.** **26-06**

(52) **U.S. Cl.**
USPC **D26/28**

(58) **Field of Classification Search**
USPC D26/28-36; 362/459-468, 475-478,
362/485-487
CPC F21S 48/00; F21S 48/10; F21S 48/115;
F21S 48/225; F21S 48/1233; F21S 48/1266;
F21S 48/1388; F21S 48/2268; F21V 21/04
See application file for complete search history.

DESCRIPTION

FIG. 1 is a perspective view of an automotive front light unit. The drawings and descriptions represent the left side embodiment. The design also contemplates a mirror symmetrical embodiment on the opposite side of the vehicle. The dash line included denotes environment and is not part of the claimed design.

FIG. 2 is a front view thereof;

FIG. 3 is a side view thereof; and,

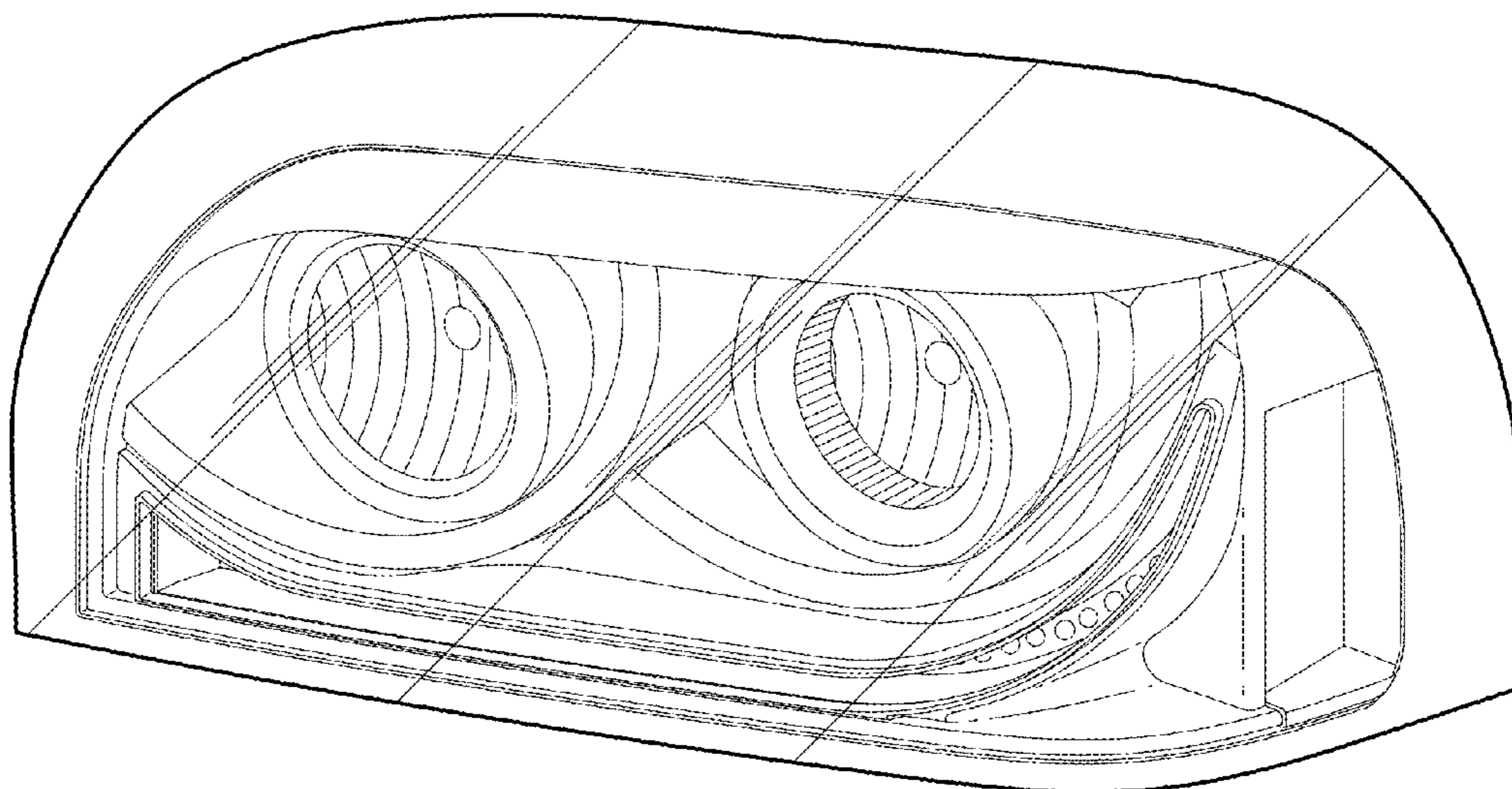
FIG. 4 is a top view thereof.

(56) **References Cited**

U.S. PATENT DOCUMENTS

D528,231 S * 9/2006 Ikeda D26/28
D535,409 S * 1/2007 Yamaguchi D26/28

1 Claim, 4 Drawing Sheets



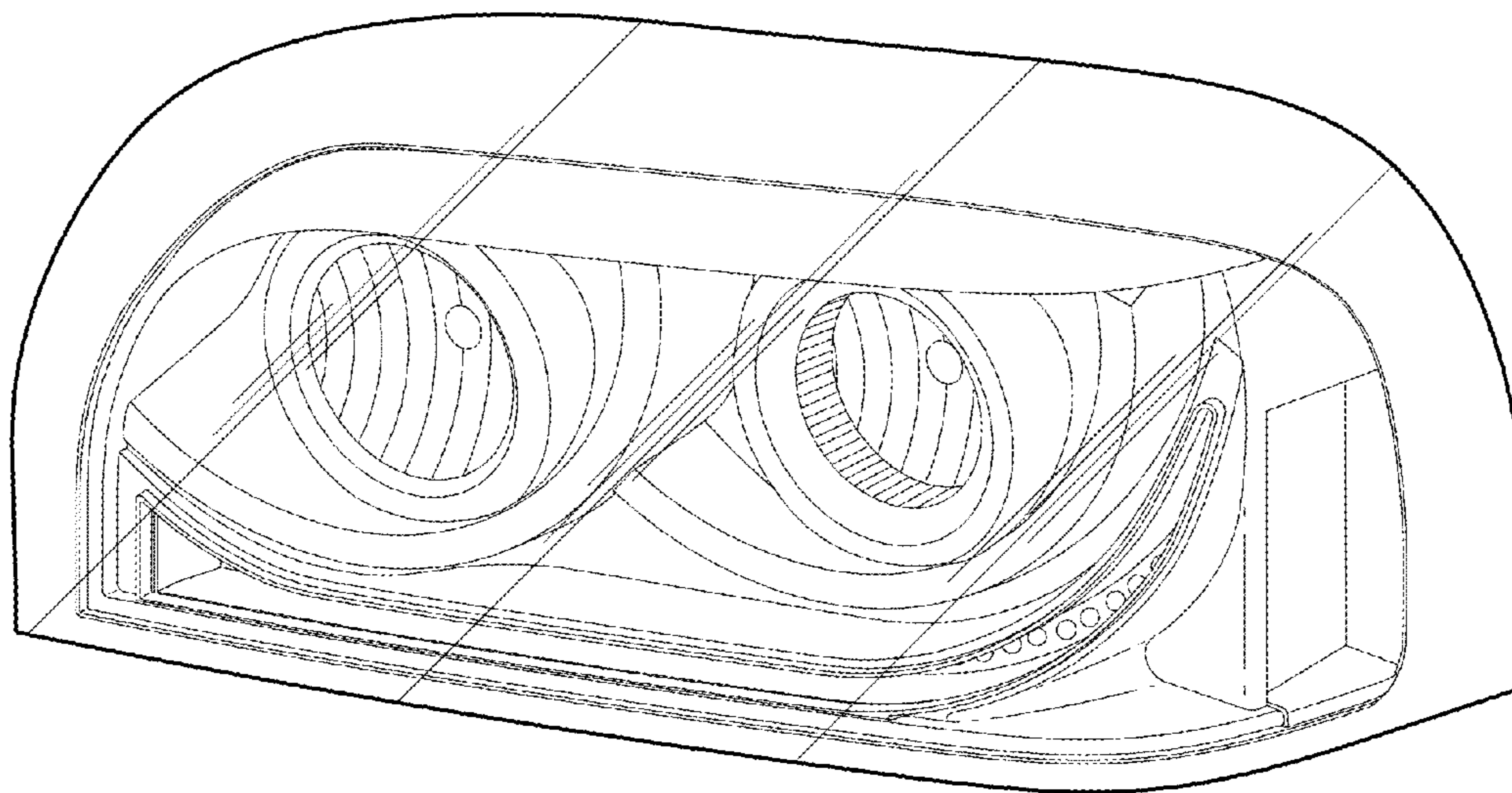


FIG. 1

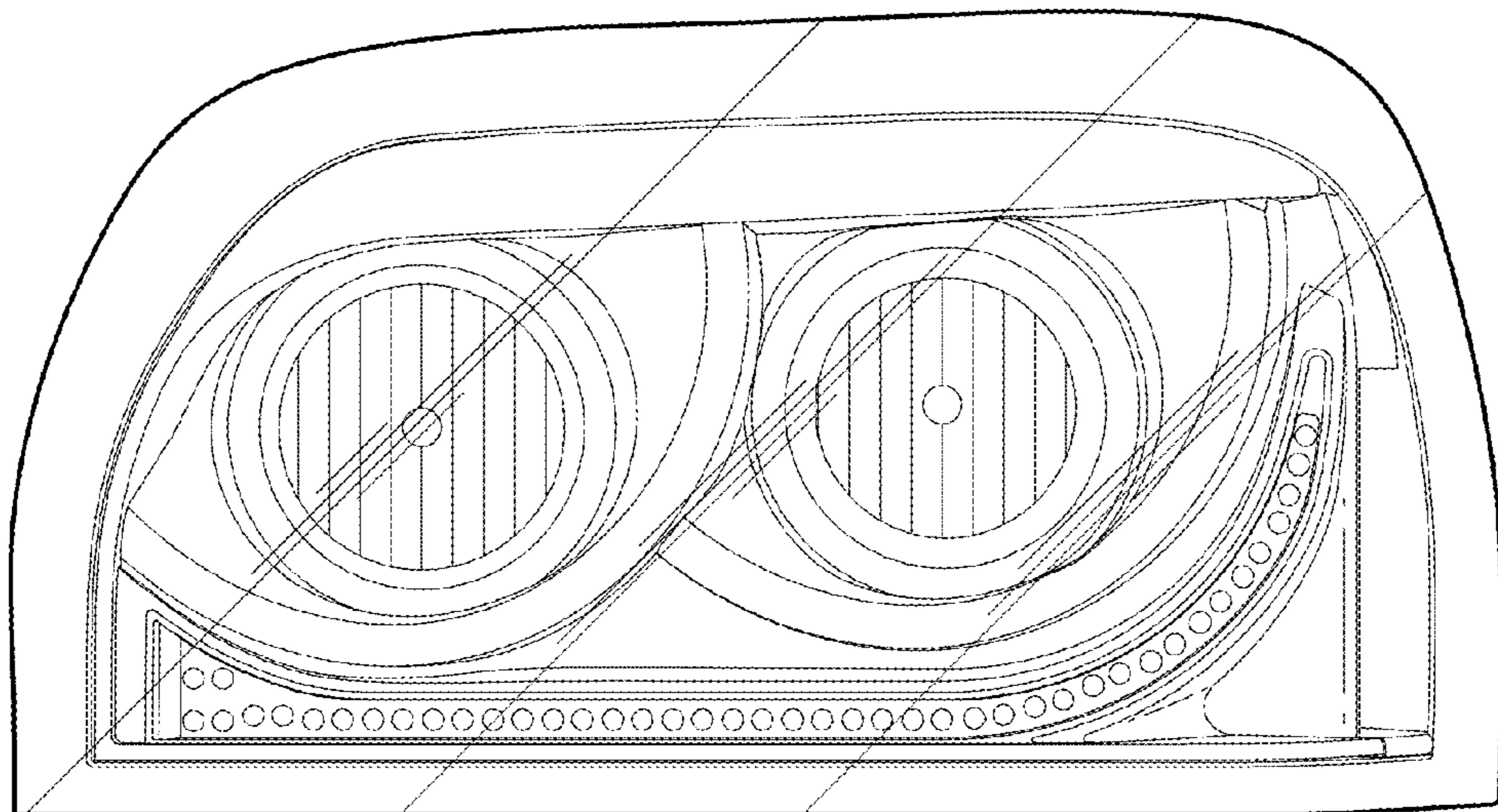


FIG. 2

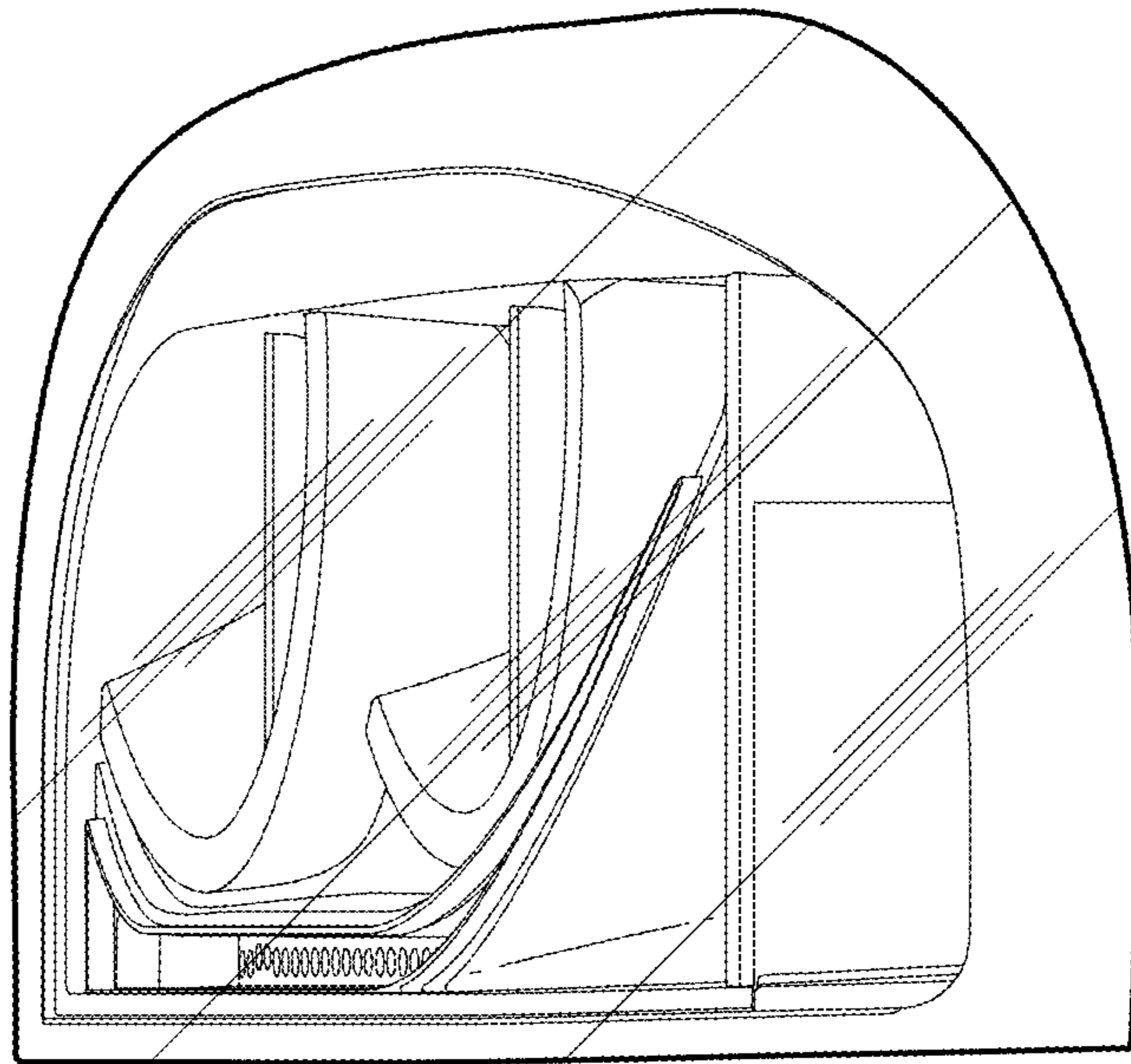


FIG. 3

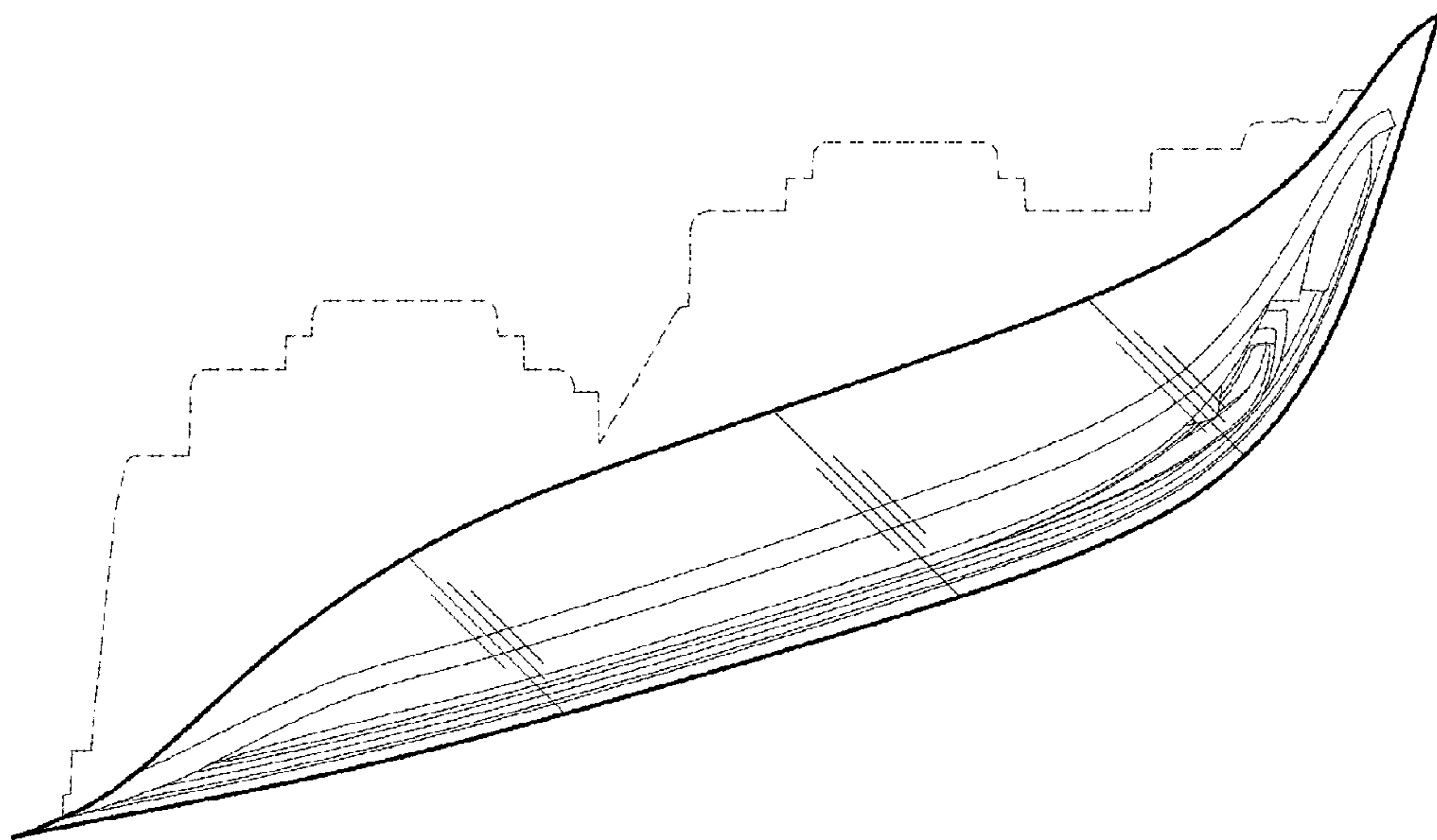


FIG. 4