



US00D767177S

(12) **United States Design Patent** (10) **Patent No.:** **US D767,177 S**
Faghihzhadeh (45) **Date of Patent:** **** Sep. 20, 2016**

(54) **HEADLIGHT FOR A VEHICLE**
(71) Applicant: **Bayerische Motoren Werke Aktiengesellschaft, Munich (DE)**
(72) Inventor: **Nader Faghihzhadeh, Munich (DE)**
(73) Assignee: **Bayerische Motoren Werke Aktiengesellschaft, Munich (DE)**
(**) Term: **15 Years**

D570,007 S * 5/2008 Hsu D26/28
D582,587 S * 12/2008 Yang D26/28
D593,232 S * 5/2009 Koman D26/28
D635,694 S * 4/2011 Yang D26/28
D723,724 S 3/2015 Johnson

* cited by examiner

Primary Examiner — Marcus Jackson
(74) *Attorney, Agent, or Firm* — Crowell & Moring LLP

(21) Appl. No.: **29/527,530**
(22) Filed: **May 20, 2015**

(57) **CLAIM**
The ornamental design for a headlight for a vehicle, as shown and described.

DESCRIPTION

(30) **Foreign Application Priority Data**
Nov. 21, 2014 (DE) 40 2014 101 121
(51) **LOC (10) Cl.** **26-06**
(52) **U.S. Cl.**
USPC **D26/28**
(58) **Field of Classification Search**
USPC D26/28-36; 362/61, 80-83, 267-269,
362/459-468, 475-478, 485-487
CPC F21S 48/00; F21S 48/10; F21S 48/115;
F21S 48/225; F21S 48/1233; F21S 48/1266;
F21S 48/1388; F21S 48/2268; F21V 21/04
See application file for complete search history.

This application contains subject matter related to the following co-pending U.S. design patent applications: Application Ser. No. 29/530,467, filed Jun. 17, 2015 and entitled "Headlight for a Vehicle"; Application Ser. No. 29/527,514, filed herewith and entitled "Vehicle, Toy, and/or Replicas Thereof"; Application Ser. No. 29/527,524, filed herewith and entitled "Vehicle, Toy, and/or Replicas Thereof"; and Application Ser. No. 29/527,529, filed herewith and entitled "Headlight for a Vehicle".
FIG. 1 is a front view of a headlight for a vehicle according to the design;
FIG. 2 is a right perspective view thereof;
FIG. 3 is a left perspective view thereof;
FIG. 4 is a right side view thereof;
FIG. 5 is a left side view thereof;
FIG. 6 is a top view thereof;
FIG. 7 is a bottom view thereof; and,
FIG. 8 is a rear view thereof.

(56) **References Cited**
U.S. PATENT DOCUMENTS
D538,956 S * 3/2007 Ishii D26/28
D544,614 S * 6/2007 Markefka D26/28
D561,358 S * 2/2008 Tachibana D26/28

1 Claim, 8 Drawing Sheets

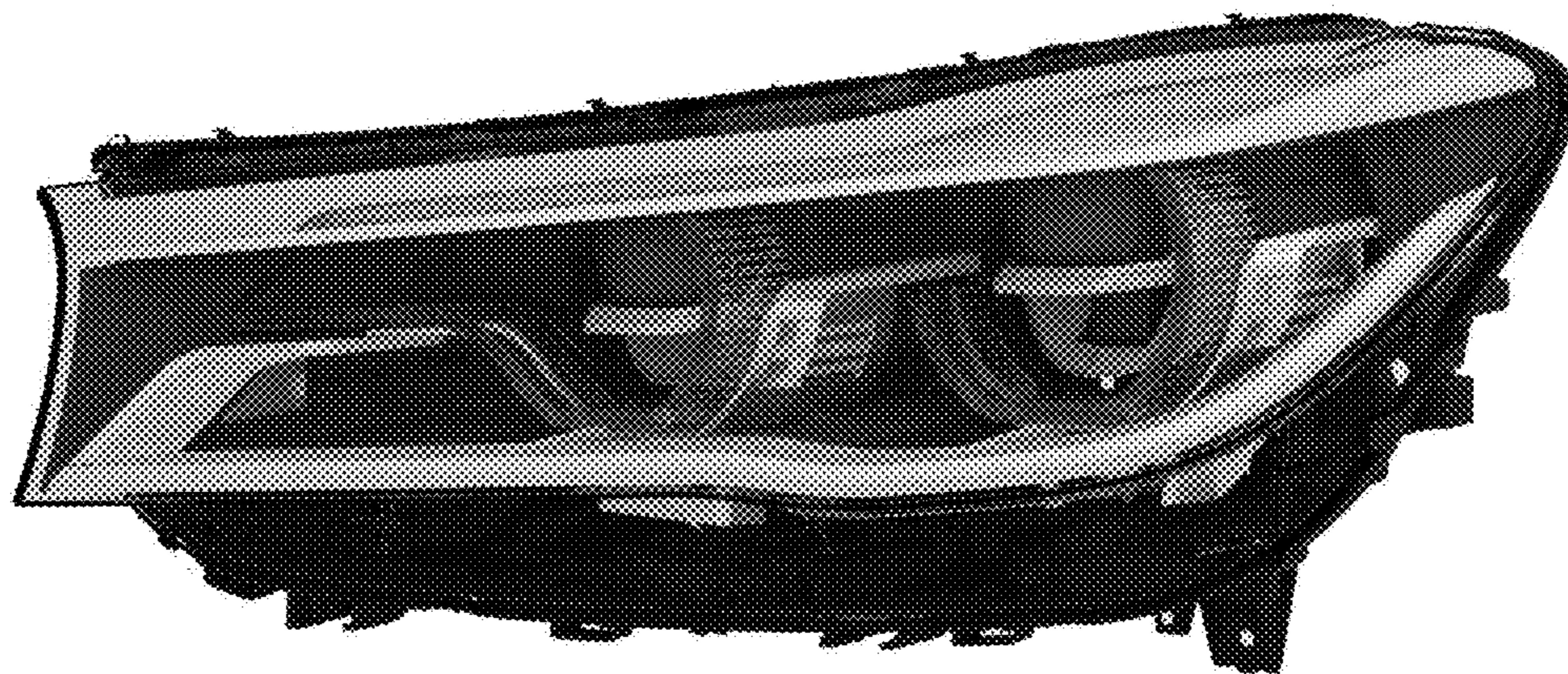




Fig. 1

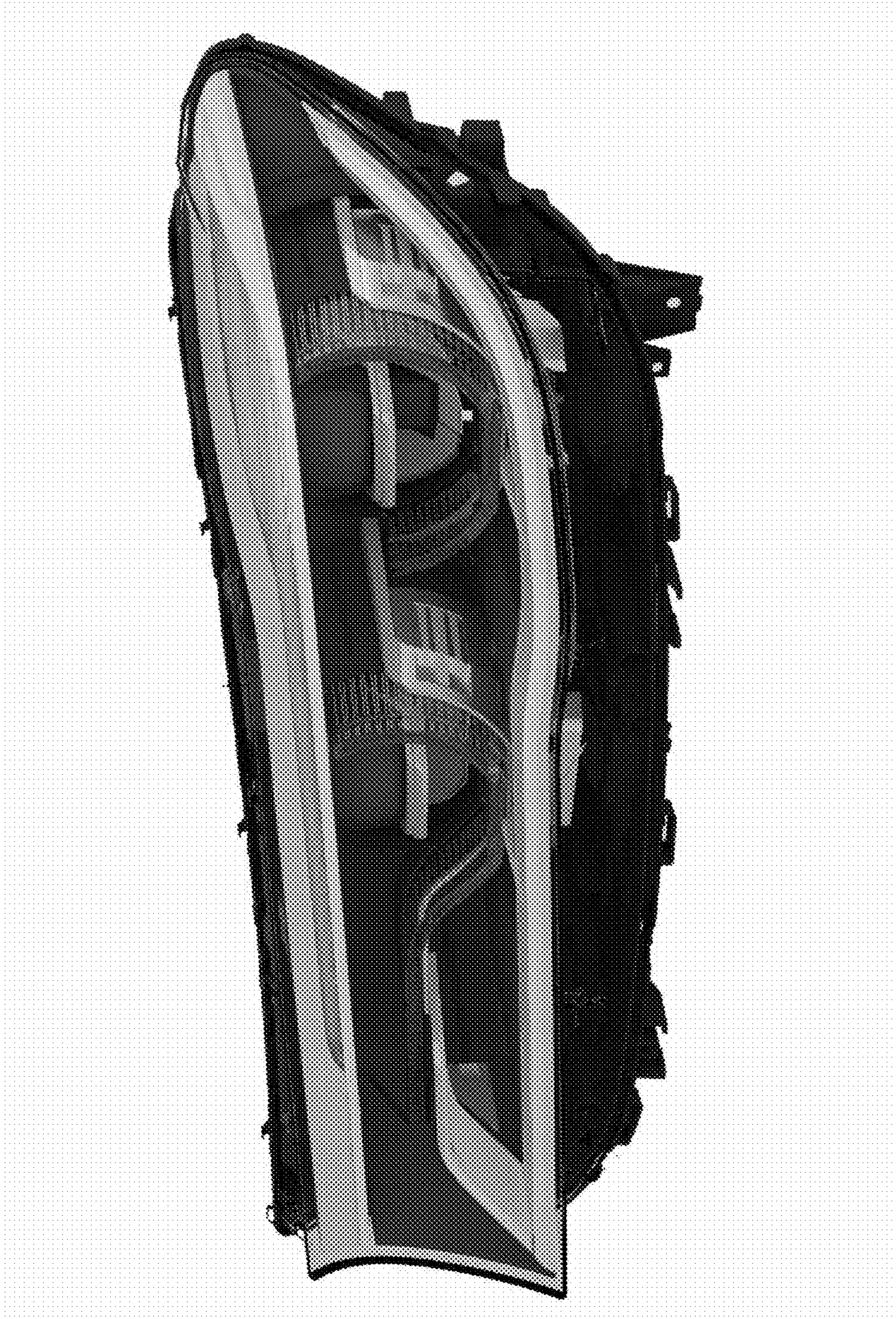


Fig. 2



Fig. 3

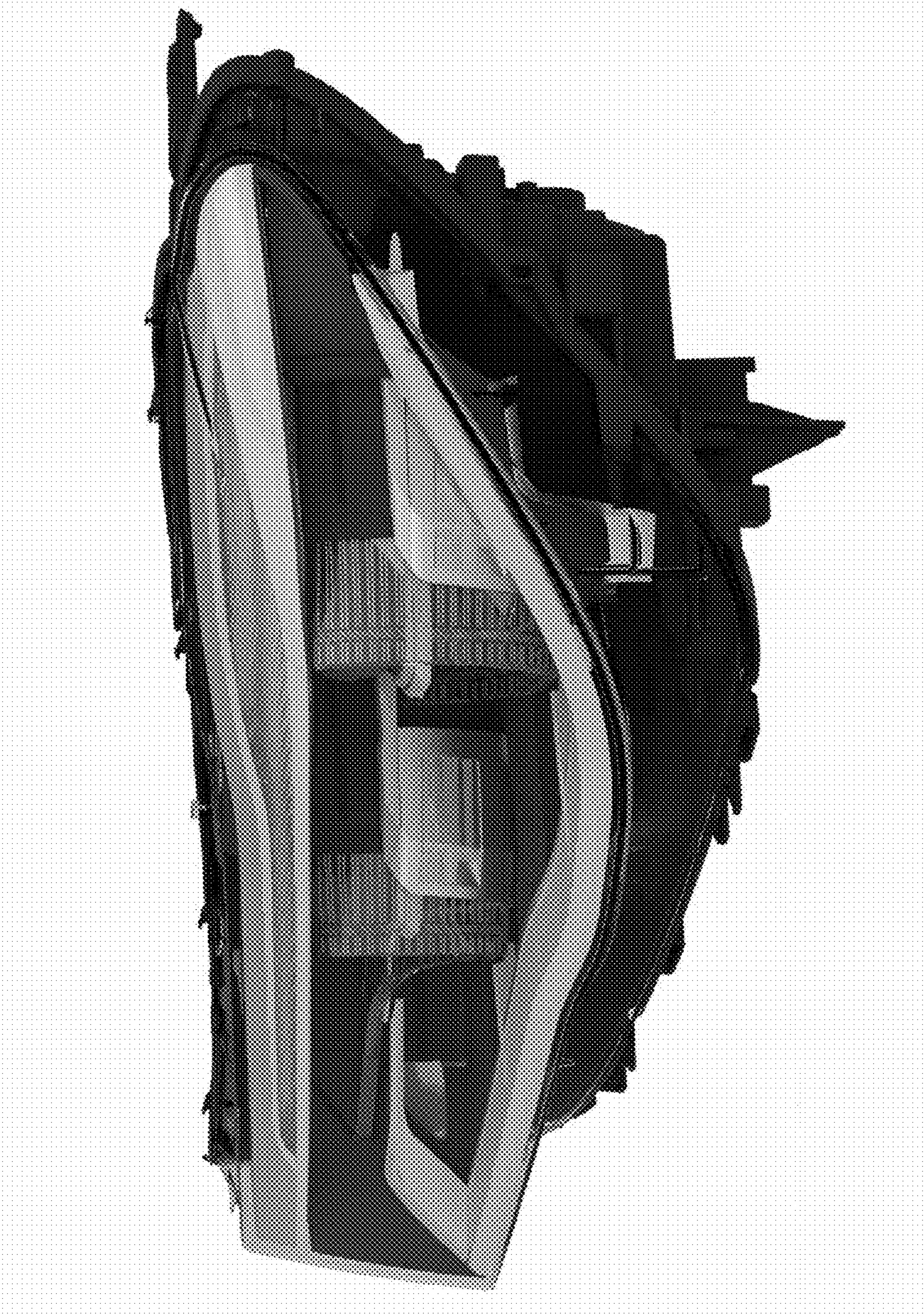


Fig. 4

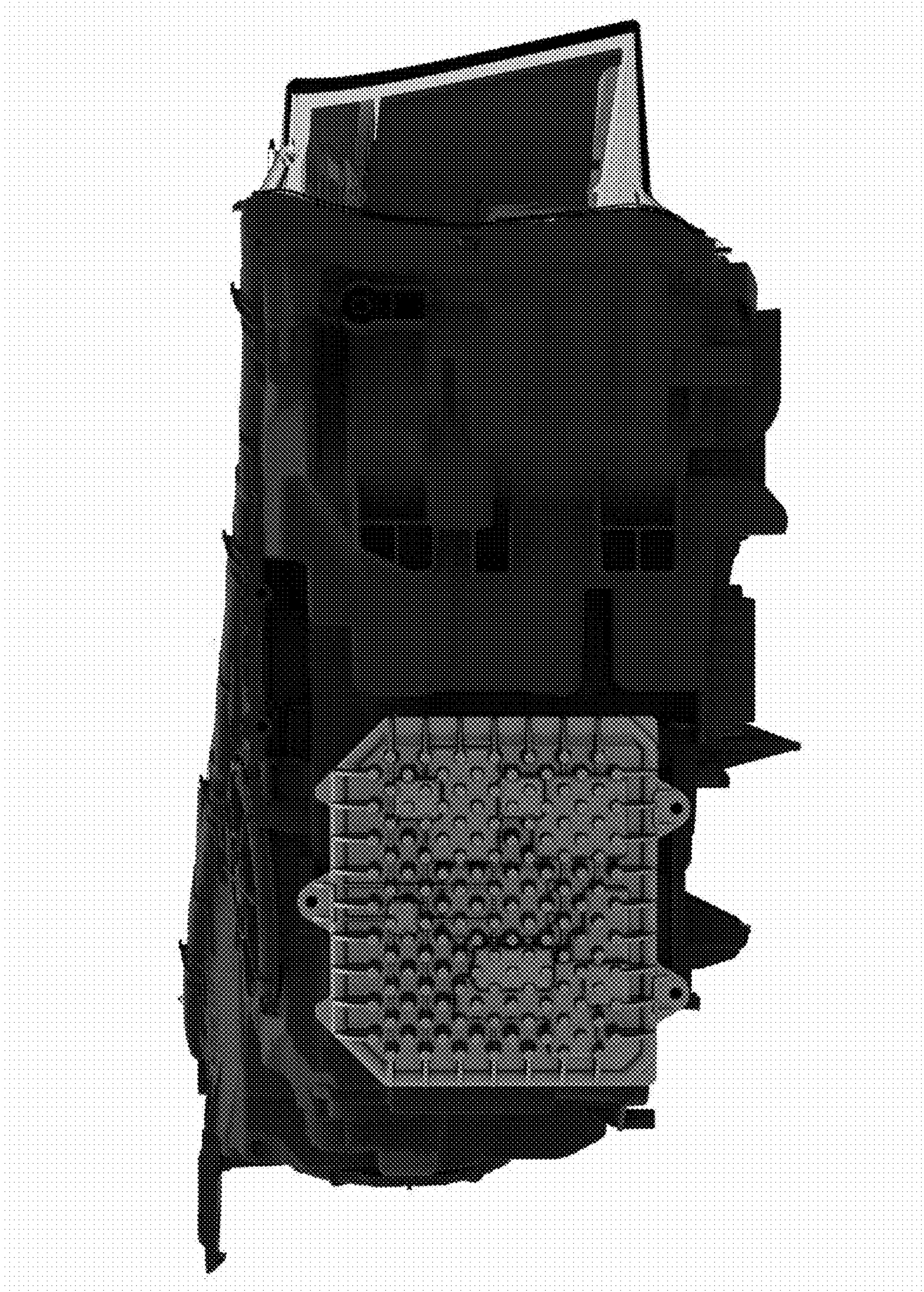


Fig. 5

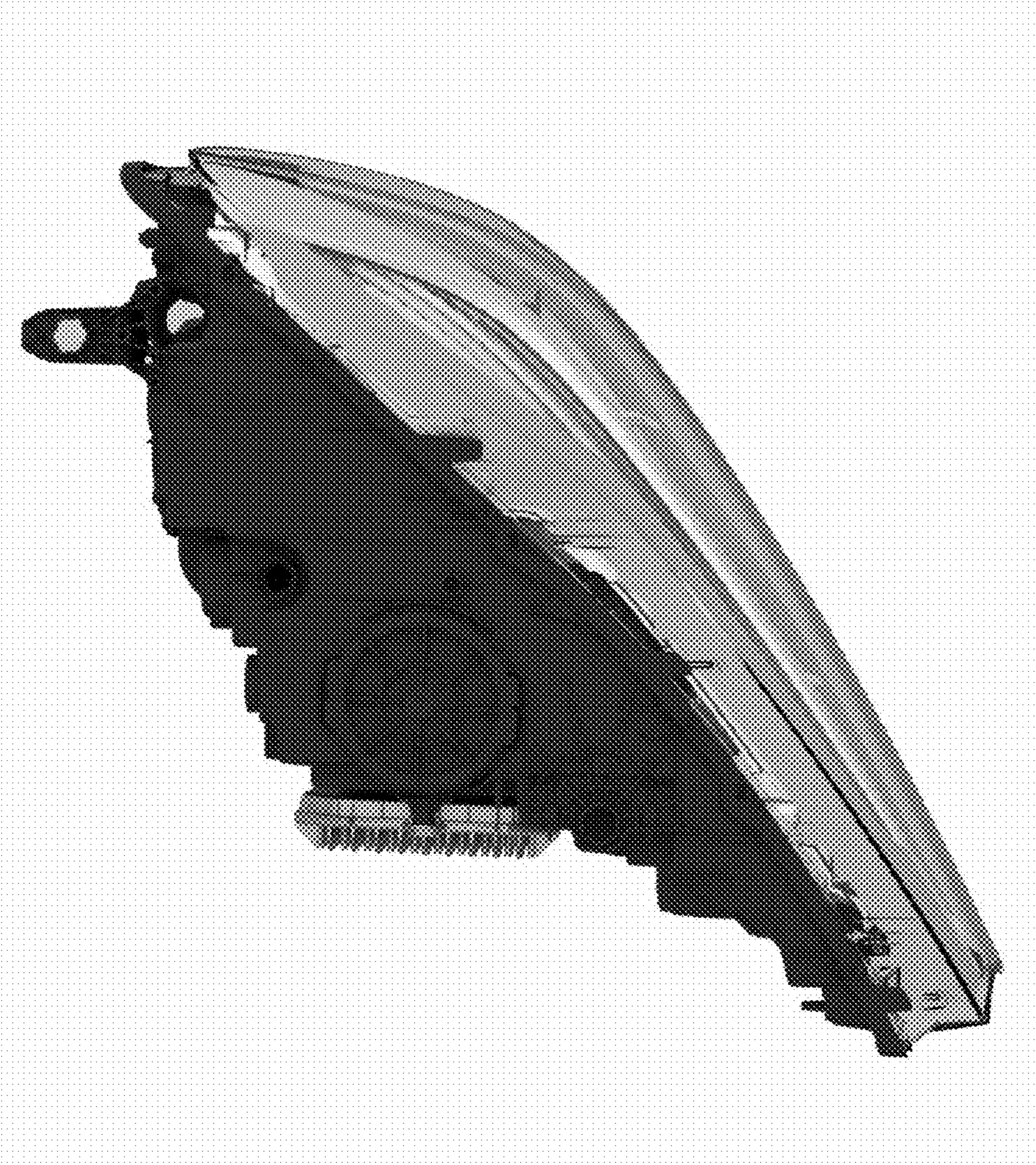


Fig. 6

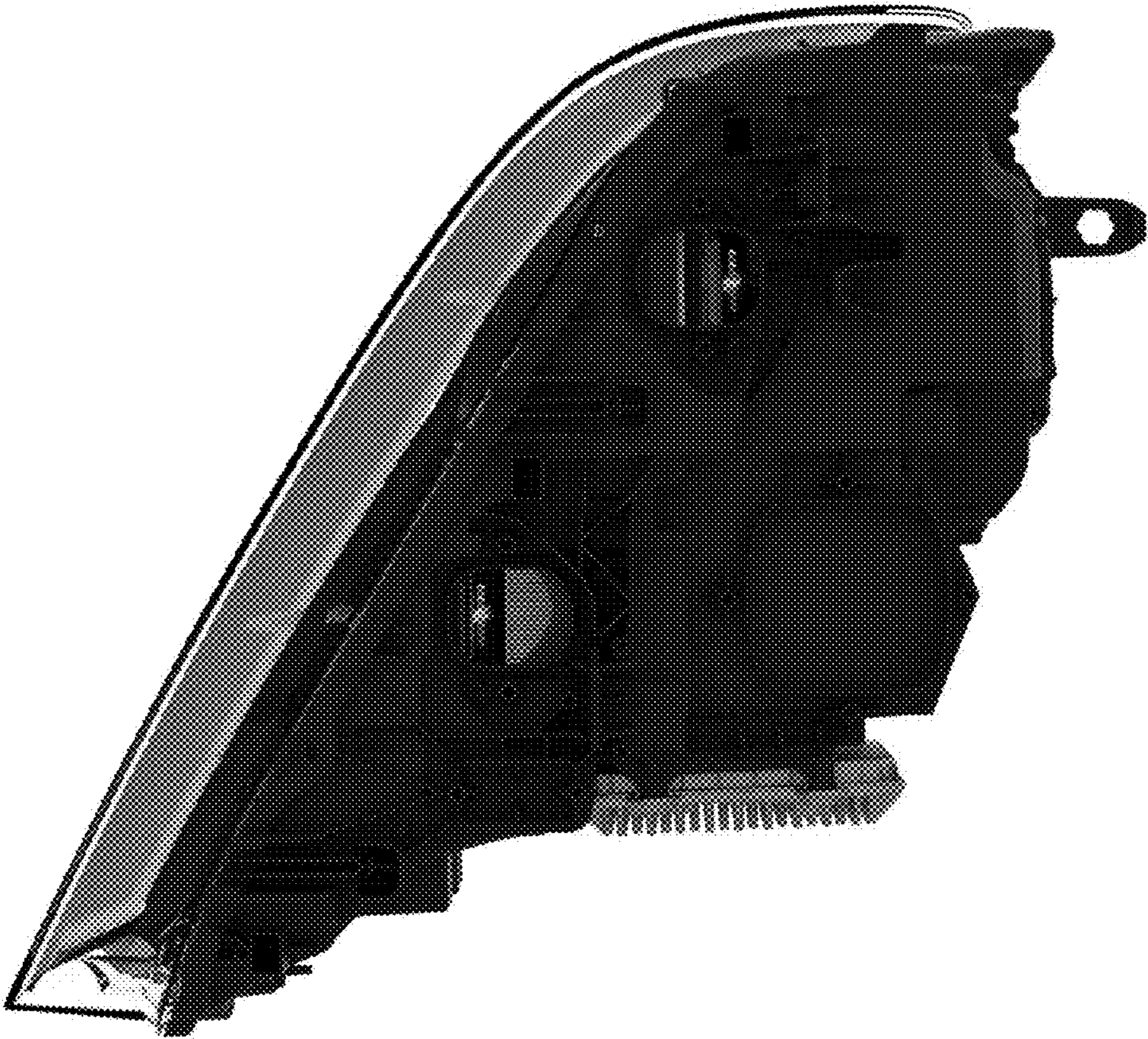


Fig. 7

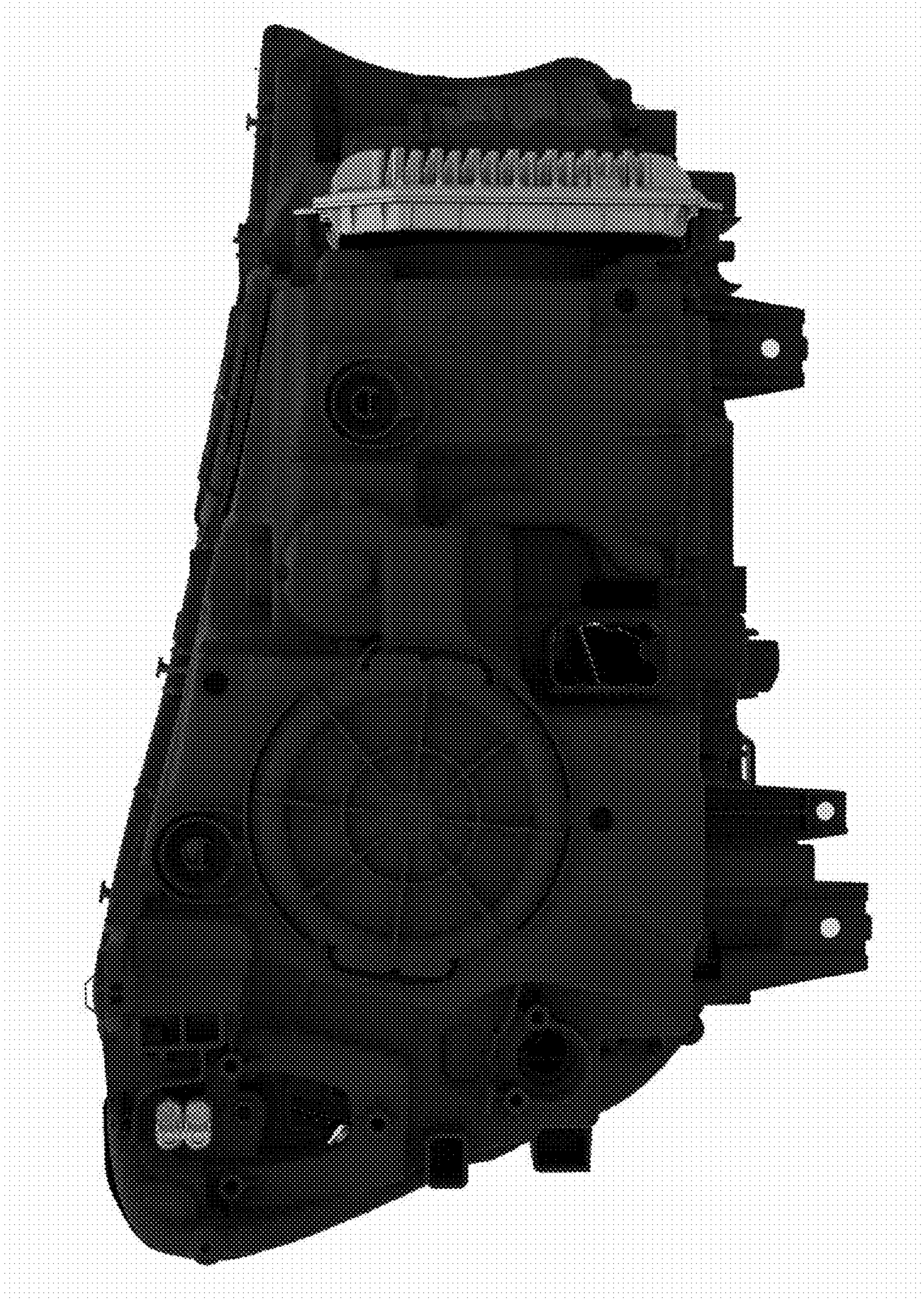


Fig. 8