



US00D767176S

(12) **United States Design Patent** (10) **Patent No.:** **US D767,176 S**  
**Faghihzadeh** (45) **Date of Patent:** **\*\* Sep. 20, 2016**

(54) **HEADLIGHT FOR A VEHICLE**  
(71) Applicant: **Bayerische Motoren Werke Aktiengesellschaft, Munich (DE)**  
(72) Inventor: **Nader Faghihzadeh, Munich (DE)**  
(73) Assignee: **Bayerische Motoren Werke Aktiengesellschaft, Munich (DE)**

(\*\*) Term: **15 Years**  
(21) Appl. No.: **29/527,529**  
(22) Filed: **May 20, 2015**

(30) **Foreign Application Priority Data**  
Nov. 21, 2014 (DE) ..... 40 2014 101 121  
(51) **LOC (10) Cl.** ..... **26-06**  
(52) **U.S. Cl.**  
USPC ..... **D26/28**  
(58) **Field of Classification Search**  
USPC ..... D26/28-36; 362/61, 80-83, 267-269,  
362/459-468, 475-478, 485-487  
CPC ..... F21S 48/00; F21S 48/10; F21S 48/115;  
F21S 48/225; F21S 48/1233; F21S 48/1266;  
F21S 48/1388; F21S 48/2268; F21V 21/04  
See application file for complete search history.

(56) **References Cited**  
U.S. PATENT DOCUMENTS  
D528,681 S \* 9/2006 Nakahara ..... D26/28  
D528,685 S \* 9/2006 Yoshida ..... D26/28  
D544,114 S \* 6/2007 Ohta ..... D26/28  
D544,614 S \* 6/2007 Markefka ..... D26/28  
D549,857 S \* 8/2007 Lin ..... D26/28  
D561,358 S \* 2/2008 Tachibana ..... D26/28  
D723,724 S 3/2015 Johnson

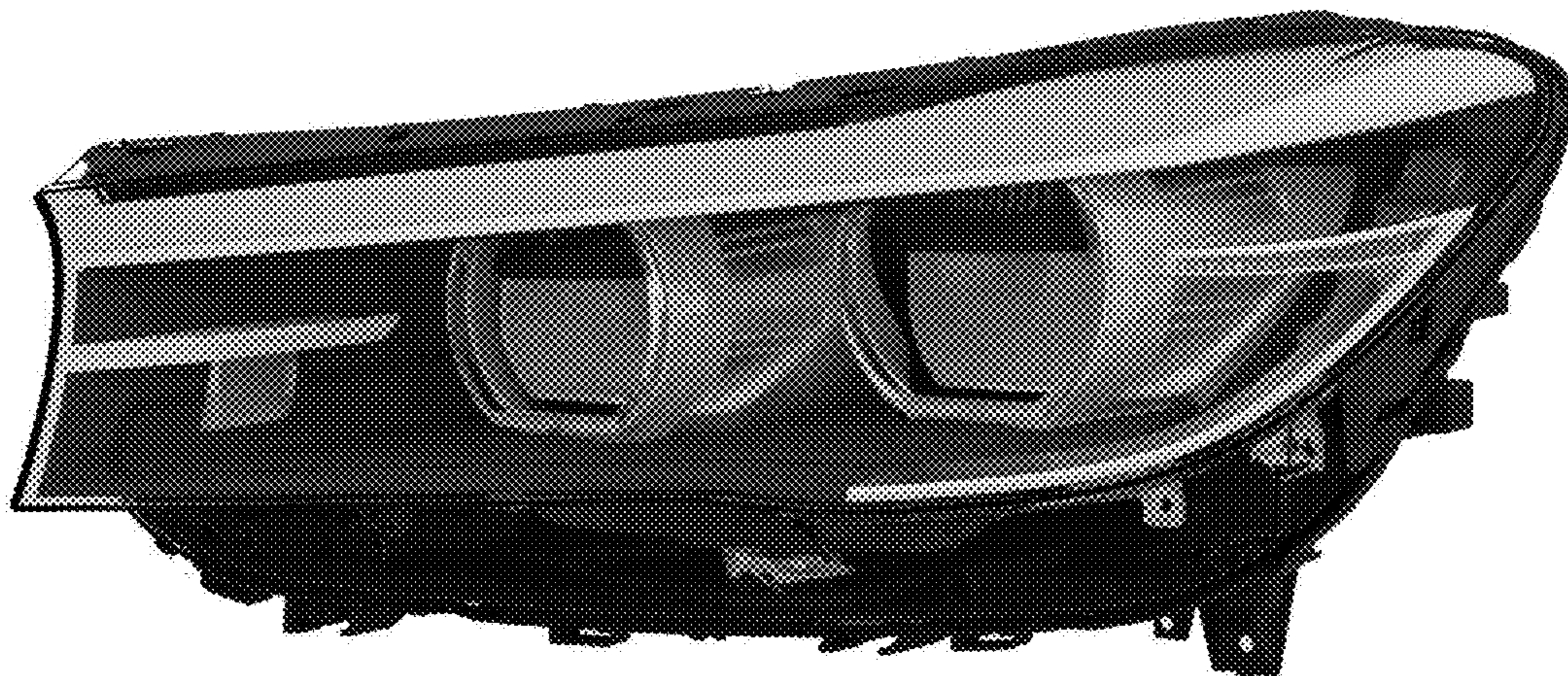
\* cited by examiner  
*Primary Examiner* — Marcus Jackson  
(74) *Attorney, Agent, or Firm* — Crowell & Moring LLP

(57) **CLAIM**  
The ornamental design for a headlight for a vehicle, as shown and described.

**DESCRIPTION**

FIG. 1 is a front view of a headlight for a vehicle according to the design;  
FIG. 2 is a right perspective view thereof;  
FIG. 3 is a left perspective view thereof;  
FIG. 4 is a right side view thereof;  
FIG. 5 is a left side view thereof;  
FIG. 6 is a top view thereof;  
FIG. 7 is a bottom view thereof; and,  
FIG. 8 is a rear view thereof.

**1 Claim, 8 Drawing Sheets**





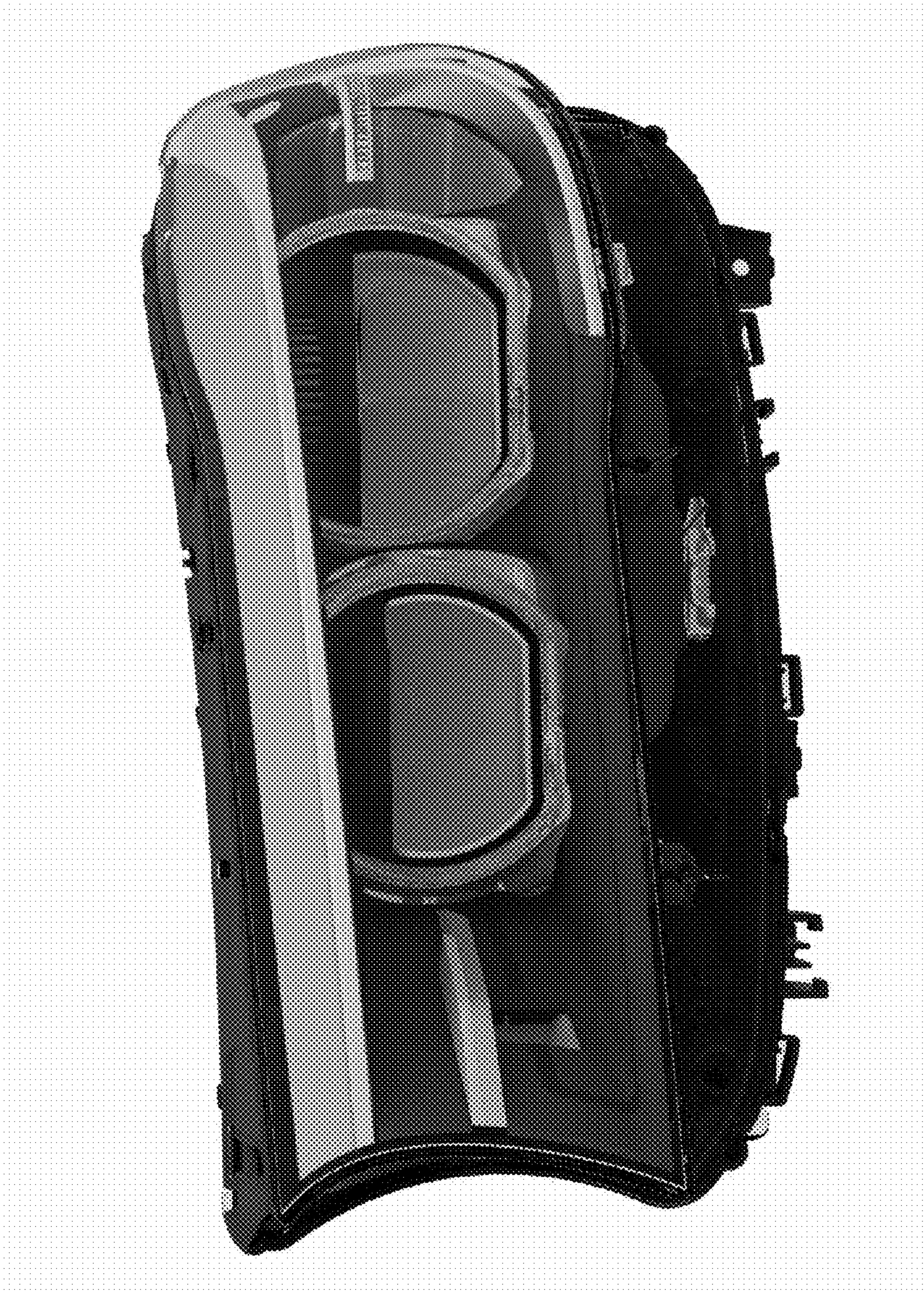


Fig. 1



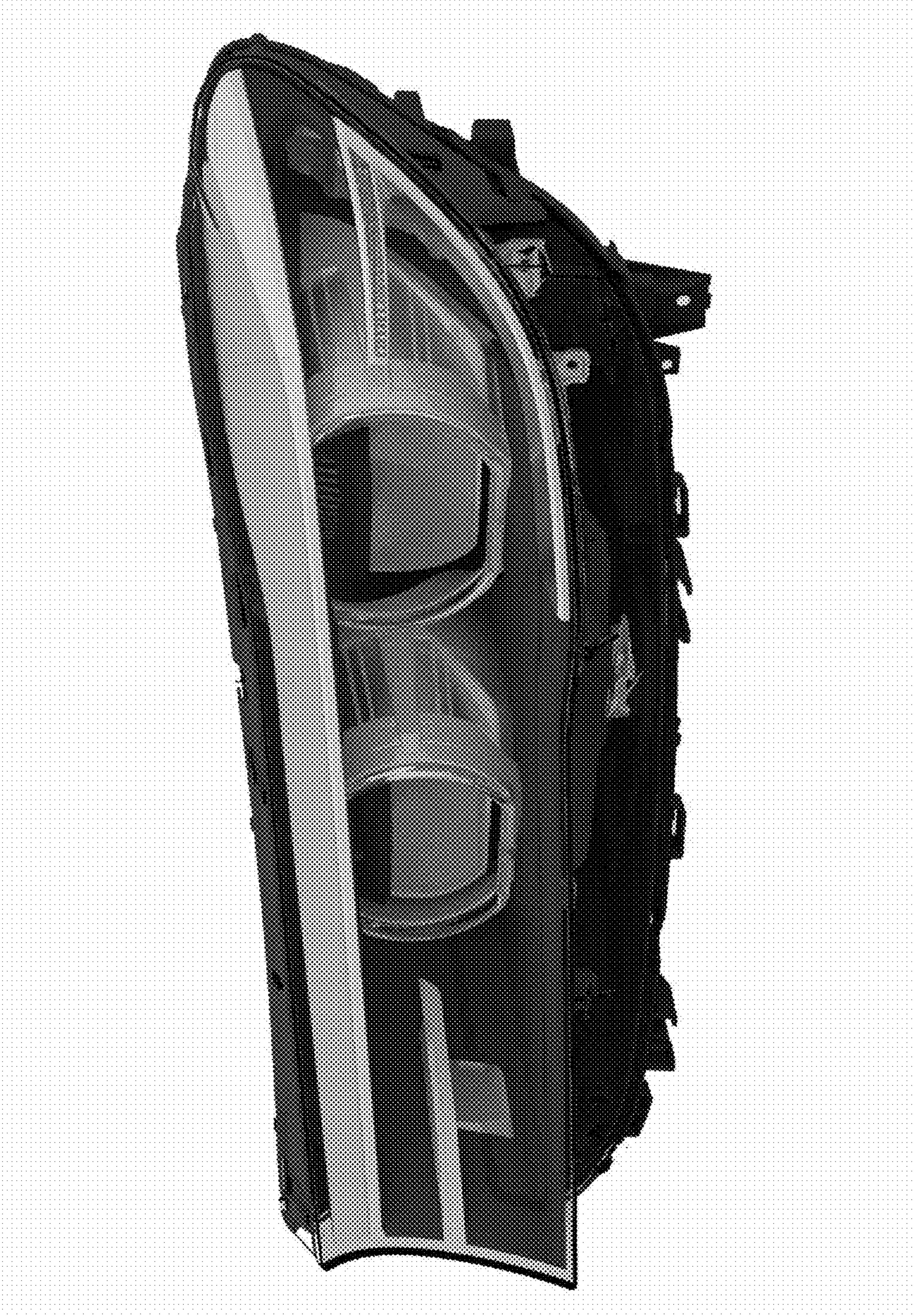


Fig. 2





Fig. 3



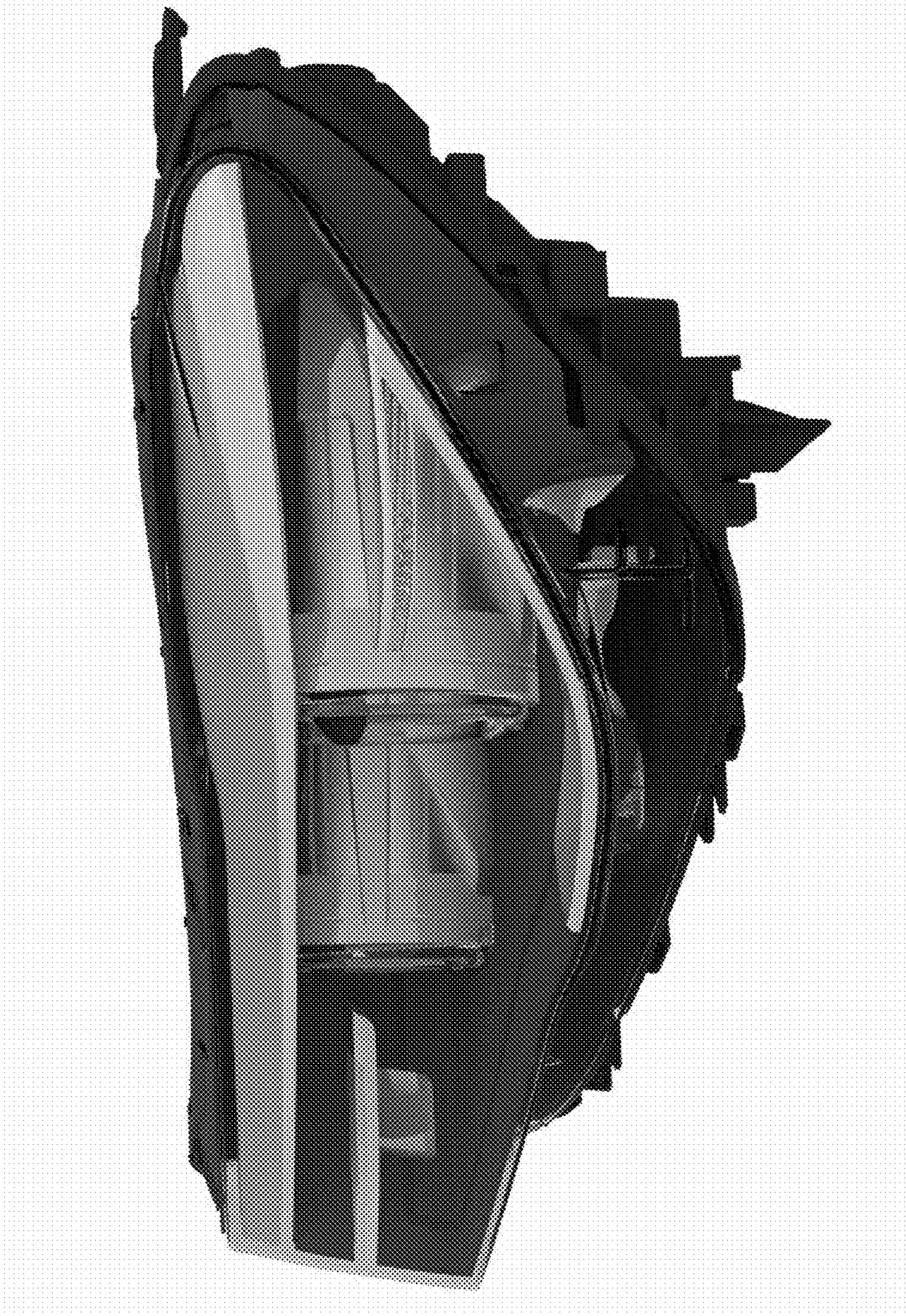


Fig. 4



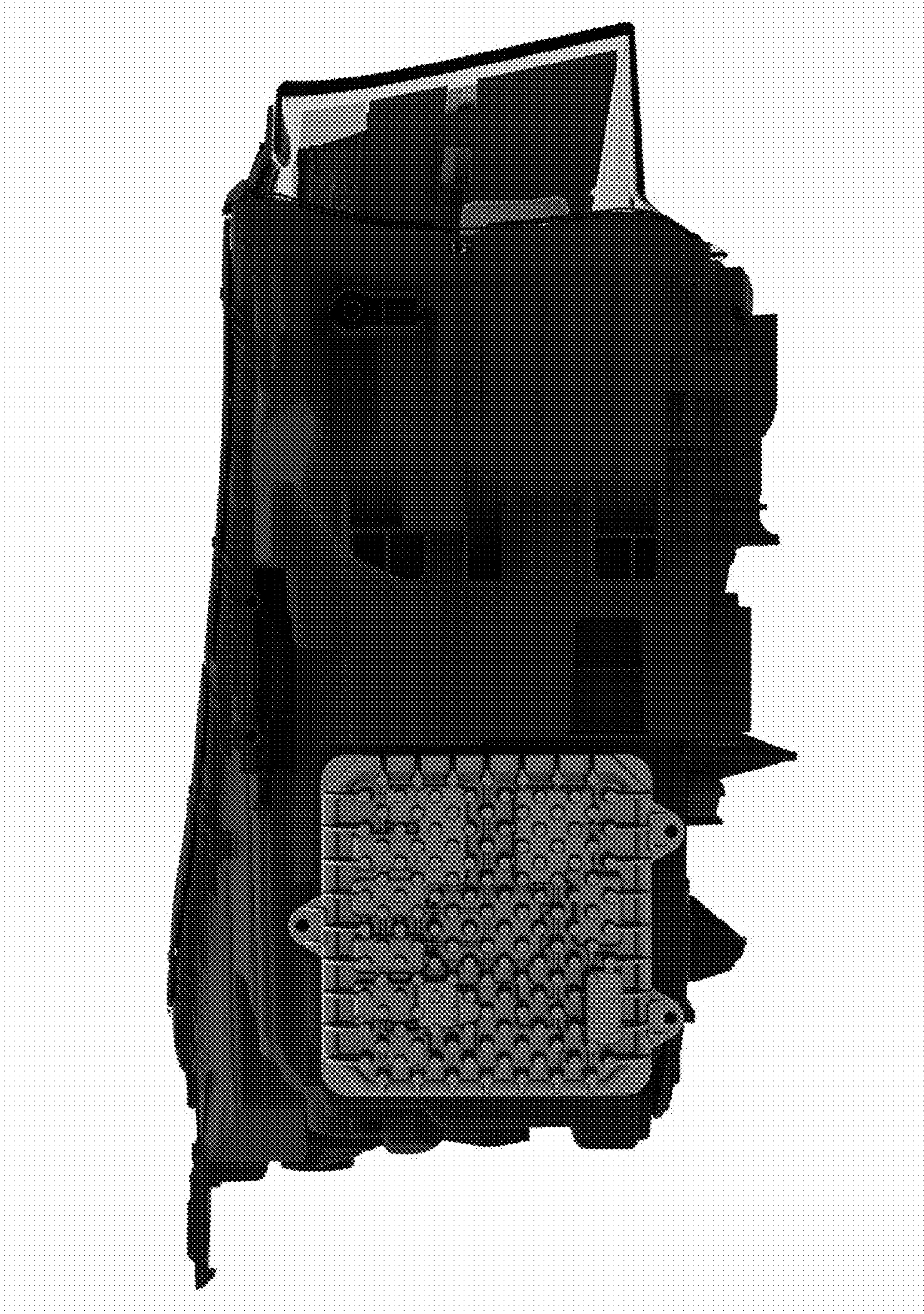


Fig. 5





Fig. 6

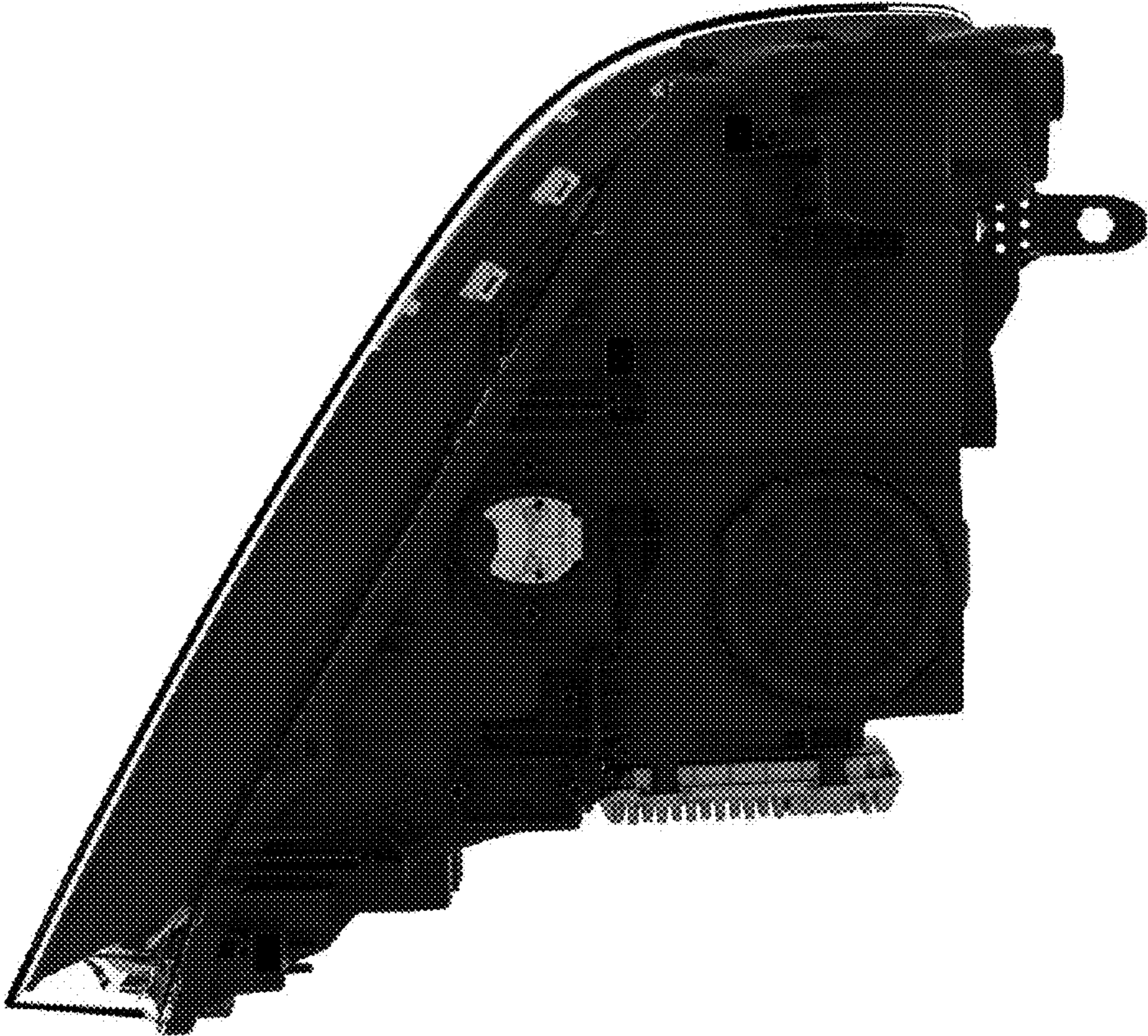


Fig. 7



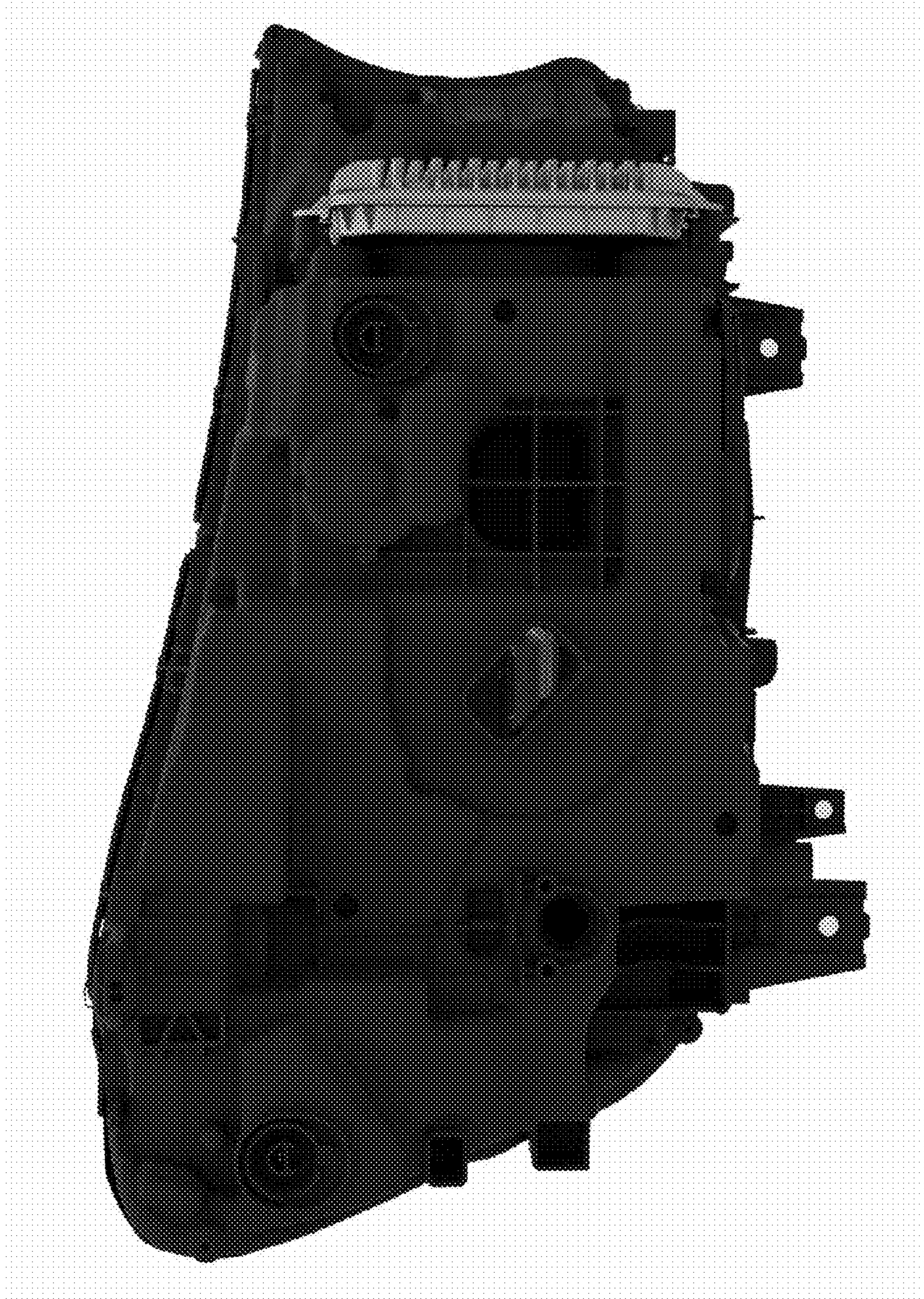


Fig. 8