



US00D767173S

(12) **United States Design Patent** (10) **Patent No.:** **US D767,173 S**  
**Martin et al.** (45) **Date of Patent:** **\*\* Sep. 20, 2016**

- (54) **TILE**
- (71) Applicant: **3form, LLC**, Salt Lake City, UT (US)
- (72) Inventors: **Guillaume Martin**, Rochetoirin (FR);  
**Michael Damen**, Rochetoirin (FR)
- (73) Assignee: **3Form, LLC**, Salt Lake City, UT (US)
- (\*\*) Term: **14 Years**
- (21) Appl. No.: **29/522,112**
- (22) Filed: **Mar. 27, 2015**

**Related U.S. Application Data**

- (63) Continuation of application No. 14/120,437, filed on Mar. 3, 2014, now abandoned.
- (51) **LOC (10) Cl.** ..... **25-01**
- (52) **U.S. Cl.**  
USPC ..... **D25/144**
- (58) **Field of Classification Search**  
USPC ..... D25/42, 138, 139, 140, 141, 142, 143,  
D25/144, 145, 146, 147, 148, 149, 151, 152,  
D25/153, 154, 155, 156, 157, 158, 159, 160,  
D25/161, 162, 163, 48.5, 58, 103; D5/1, 5,  
D5/8, 11, 12, 15, 29, 43, 47, 54, 58, 53;  
D1/121, 122, 127  
CPC ..... E04B 2001/2481; E04B 2001/2484;  
E04B 1/84; E04B 1/8404; E04B 1/8409;  
E04B 5/00; E04B 7/00; E04B 9/00; E04B  
1/86; E04B 2001/1984; E04F 15/02; E01C  
5/00  
See application file for complete search history.

(56) **References Cited**

**U.S. PATENT DOCUMENTS**

- 2,935,152 A \* 5/1960 Maccaferri ..... E04B 9/001  
181/290
- D213,248 S \* 1/1969 Orr ..... D25/144
- 3,512,324 A \* 5/1970 Reed ..... E04F 15/02405  
52/585.1

- D243,253 S \* 2/1977 Ballantyne ..... D14/219
- 4,547,358 A \* 10/1985 David ..... A61K 9/2072  
424/467

(Continued)

**FOREIGN PATENT DOCUMENTS**

- WO D027261-001 \* 11/1993

**OTHER PUBLICATIONS**

Wavy Ceiling Tiles—Ceiling Tiles by IDS Group (on-line), dated Aug. 25, 2014. Retrieved from Internet Jun. 28, 2016, URL: <https://web.archive.org/web/20140825023605/http://denver-ceilings.com/wavy-ceiling-tiles/> (3 pages).\*

(Continued)

*Primary Examiner* — Barbara Fox  
*Assistant Examiner* — Kimberly Barnes  
(74) *Attorney, Agent, or Firm* — Workman Nydegger

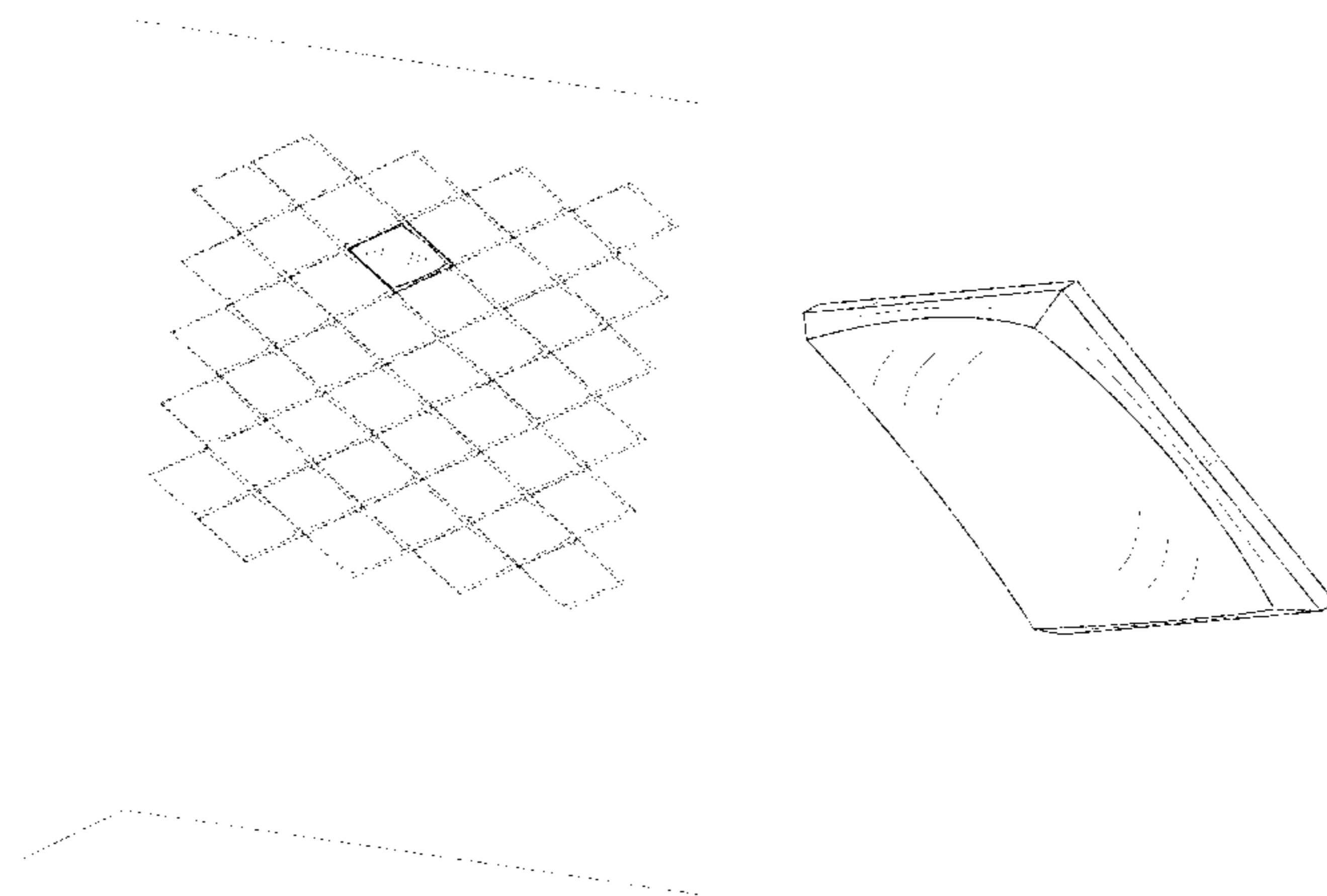
(57) **CLAIM**

The ornamental design for a tile, as shown and described.

**DESCRIPTION**

FIG. 1 is a front perspective view of a tile as used in a partition structure;  
FIG. 2 is a front perspective view thereof;  
FIG. 3 is a front elevational view thereof;  
FIG. 4 is a left elevational view shown in the direction of line 4-4 in FIG. 3.  
FIG. 5 is a right elevational view shown in the direction of line 5-5 in FIG. 3.  
FIG. 6 is a top plan view shown in the direction of line 6-6 in FIG. 3; and,  
FIG. 7 is a bottom plan view shown in the direction of line 7-7 in FIG. 3.  
The broken lines shown in the drawings illustrate environmental subject matter and forms no part of the claimed design.

**1 Claim, 3 Drawing Sheets**



(56)

References Cited

U.S. PATENT DOCUMENTS

D310,579 S \* 9/1990 Ni ..... D24/103  
5,082,712 A \* 1/1992 Starp ..... E04F 15/02405  
428/174  
D423,185 S \* 4/2000 Sherman ..... D1/127  
6,526,710 B1 \* 3/2003 Killen ..... E04F 15/10  
52/105  
6,606,823 B1 \* 8/2003 McDonough ..... E04D 11/002  
47/65.9  
D495,116 S \* 8/2004 Trocme ..... D1/100  
D595,477 S \* 7/2009 Loret ..... D1/121  
D615,727 S \* 5/2010 Loret ..... D1/121  
8,051,613 B2 \* 11/2011 Lu ..... E04C 2/324  
52/220.1  
8,628,270 B2 \* 1/2014 Maritano ..... E01C 13/08  
404/17

D713,979 S \* 9/2014 Martin ..... D25/138  
D714,965 S \* 10/2014 Martin ..... D25/138  
D714,966 S \* 10/2014 Martin ..... D25/138  
D719,717 S \* 12/2014 Schweitzer ..... D1/121  
8,991,129 B1 \* 3/2015 Kramer ..... E04D 1/025  
52/519  
D727,540 S \* 4/2015 Martin ..... D25/138  
2006/0003144 A1 1/2006 Kaump  
2015/0247327 A1 \* 9/2015 Martin ..... B44F 5/00  
428/156

OTHER PUBLICATIONS

Non-Final Office Action for U.S. Appl. No. 14/120,437 mailed Dec.  
9, 2015.

\* cited by examiner

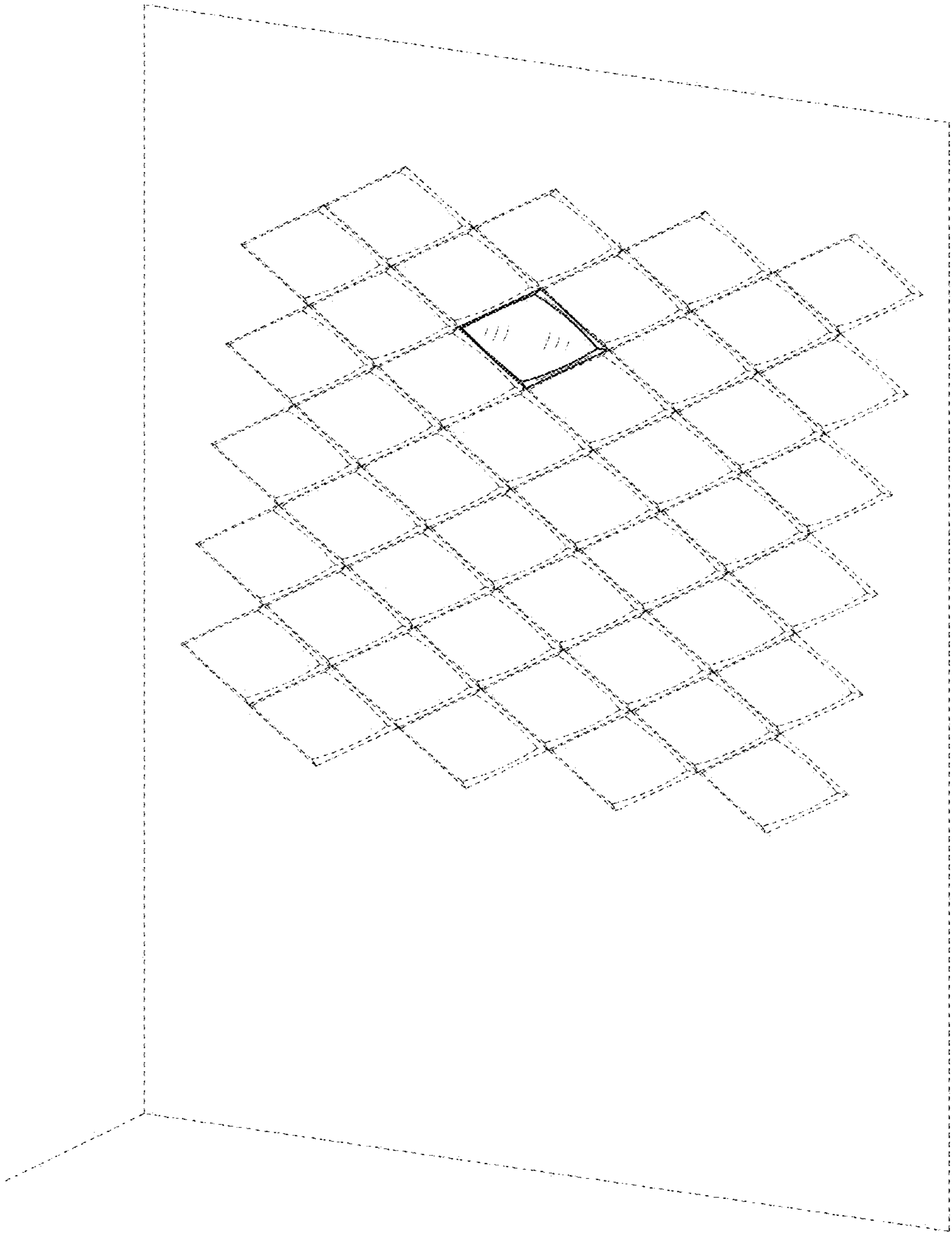


FIG. 1

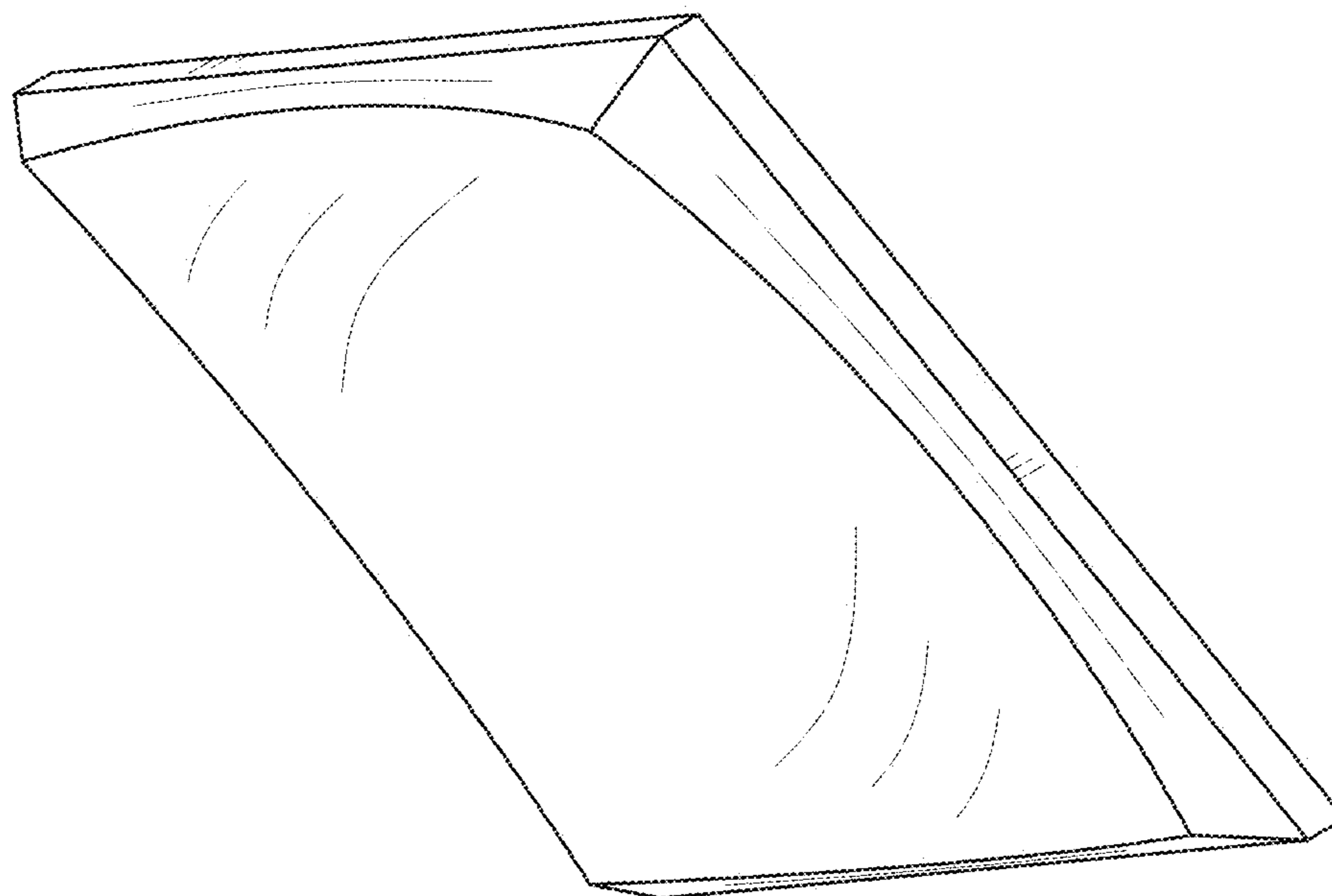


FIG. 2

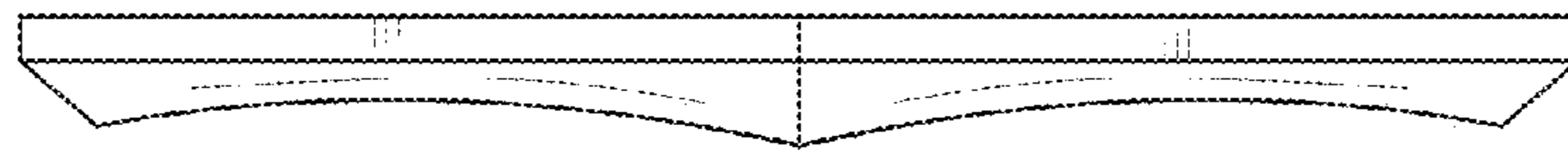


FIG. 6

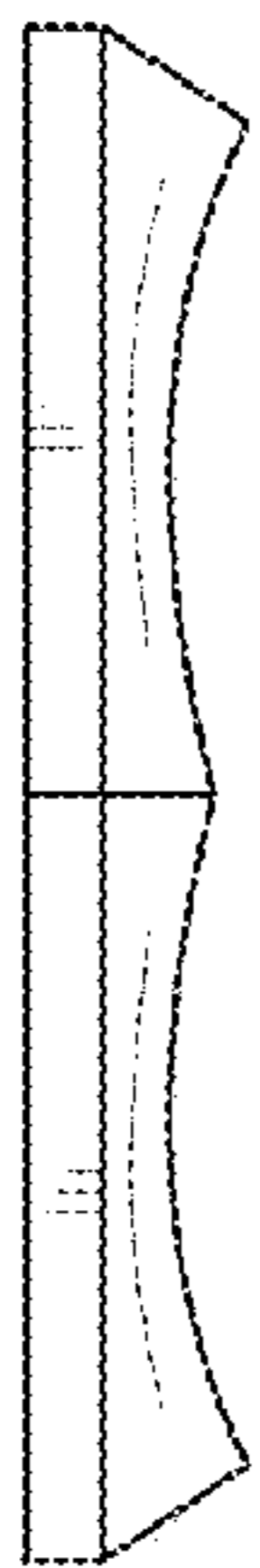


FIG. 4

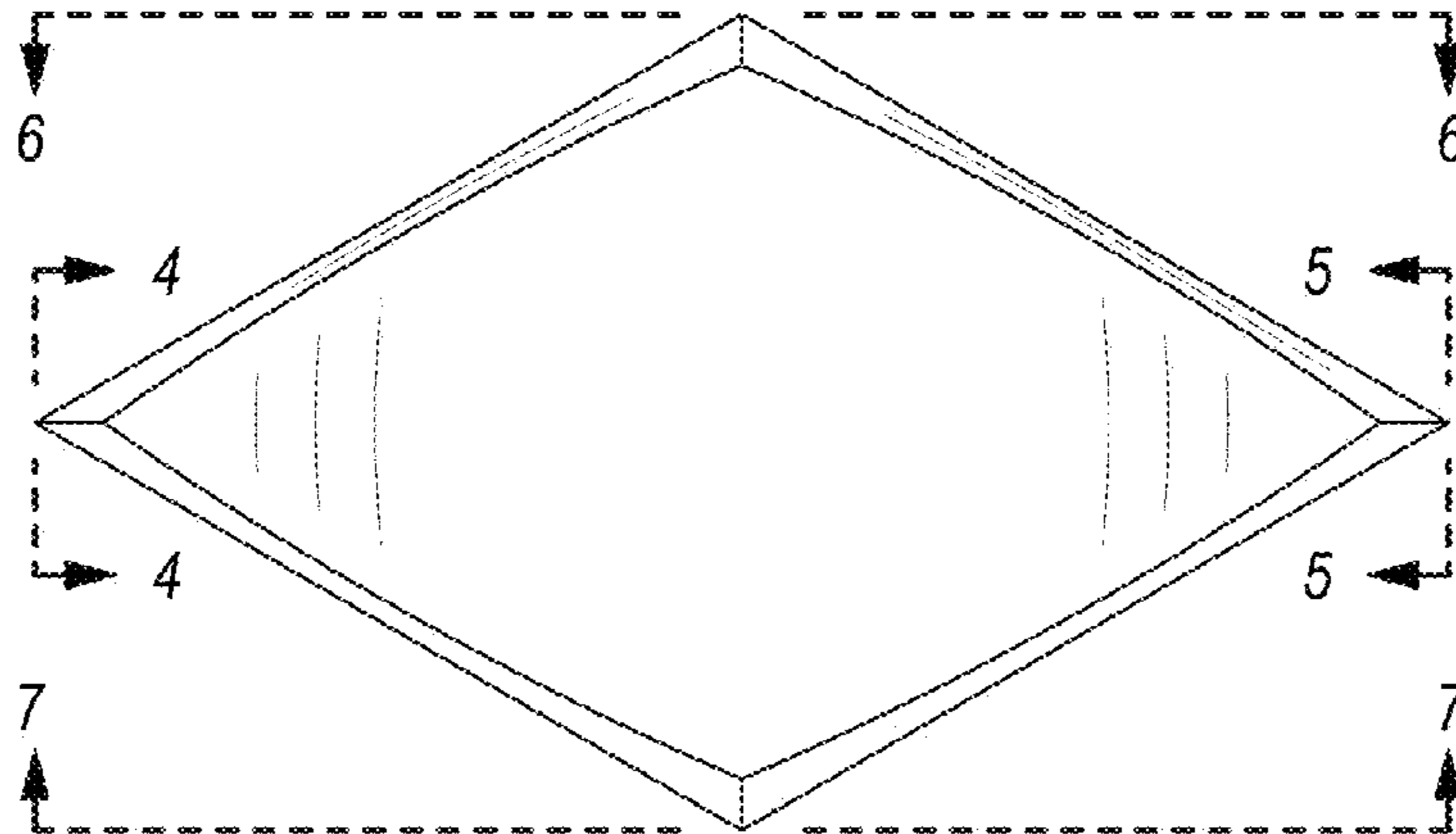


FIG. 3

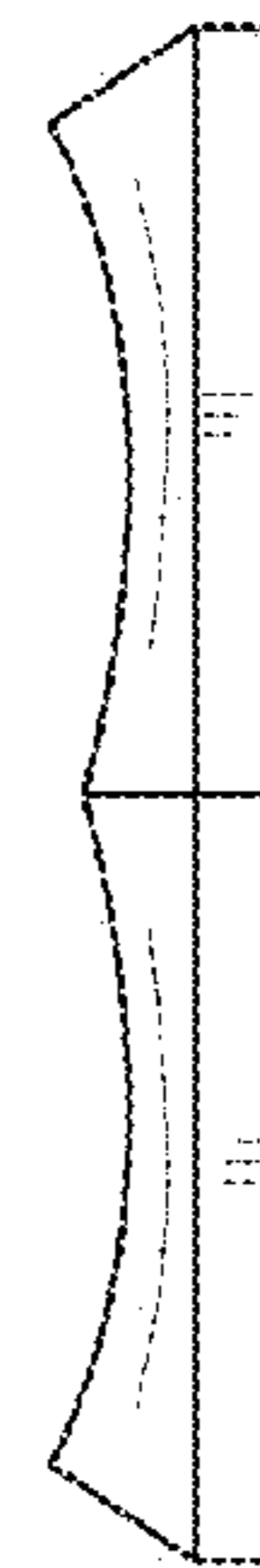


FIG. 5

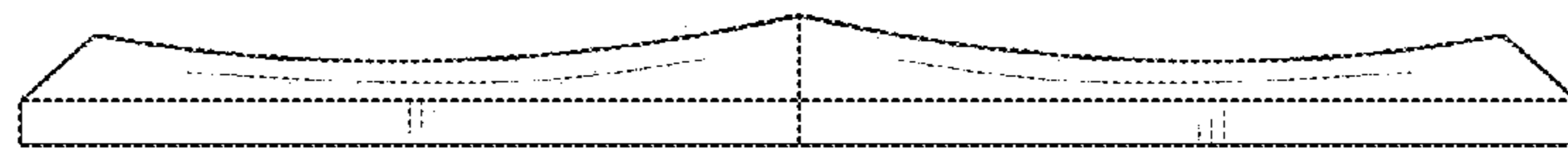


FIG. 7