



US00D767167S

(12) **United States Design Patent**
Masuda et al.

(10) **Patent No.:** **US D767,167 S**

(45) **Date of Patent:** **** Sep. 20, 2016**

(54) **COLUMN BASE METAL FITTING**

(71) Applicant: **Senqcia Corporation**, Tokyo (JP)

(72) Inventors: **Kumiko Masuda**, Tokyo (JP); **Taku Tomita**, Tokyo (JP); **Hideaki Takahashi**, Tokyo (JP)

(73) Assignee: **SENQCIA CORPORATION** (JP)

(**) Term: **14 Years**

(21) Appl. No.: **29/484,432**

(22) Filed: **Mar. 10, 2014**

(30) **Foreign Application Priority Data**

Sep. 11, 2013 (JP) 2013-021039

(51) **LOC (10) Cl.** **25-01**

(52) **U.S. Cl.**
USPC **D25/133**

(58) **Field of Classification Search**
USPC D25/133, 126, 68; 256/63, 64, 65.04, 256/65.14; 52/704, 710, 713, 698, 146, 52/147, 150, 223.12, 297, 731, 252, 174, 52/745.05; 248/519, 547, 200.1, 218.4, 248/231.9; 29/428; 211/41.2; 280/504; D8/349, 353, 354, 385, 404, 374, 366, D8/350; D6/572, 550, 699.4, 328; D13/177, 156; D2/946; D21/773; D26/138; D32/25; D34/27
CPC B01D 15/22; E04B 2001/2644; E04B 2001/2684; E04B 1/24; E02D 5/72; E02D 5/80; E04H 12/2261; E04H 12/2269; E04H 12/2253; E04H 17/20; E04H 9/021; E04H 12/08; E04H 12/2223; E04C 3/32
See application file for complete search history.

(56) **References Cited**

U.S. PATENT DOCUMENTS

697,310 A * 4/1902 Younglove 52/292
1,684,894 A * 9/1928 Smiley, Jr. 52/223.5

3,853,291 A * 12/1974 Burke 248/158
4,048,776 A * 9/1977 Sato 52/297
4,070,837 A * 1/1978 Sato 52/297
4,574,551 A * 3/1986 Giannuzzi 52/512
5,290,028 A * 3/1994 Bartoli 473/499
6,336,620 B1 * 1/2002 Belli 248/519
D547,463 S * 7/2007 Gross et al. D25/133
D571,486 S * 6/2008 Miller et al. D25/133
8,757,598 B1 * 6/2014 Jones 256/65.14
2004/0211876 A1 * 10/2004 Cote 248/519
2011/0303665 A1 * 12/2011 Wilson 220/89.1

FOREIGN PATENT DOCUMENTS

JP 09059996 A * 3/1997 E02D 27/00
JP 2009293210 A * 12/2009
JP 2010248725 A * 11/2010
JP 2011012402 A * 1/2011
JP 2012007381 A * 1/2012

* cited by examiner

Primary Examiner — Ian Simmons

Assistant Examiner — Keith Frank

(74) *Attorney, Agent, or Firm* — Bacon & Thomas, PLLC

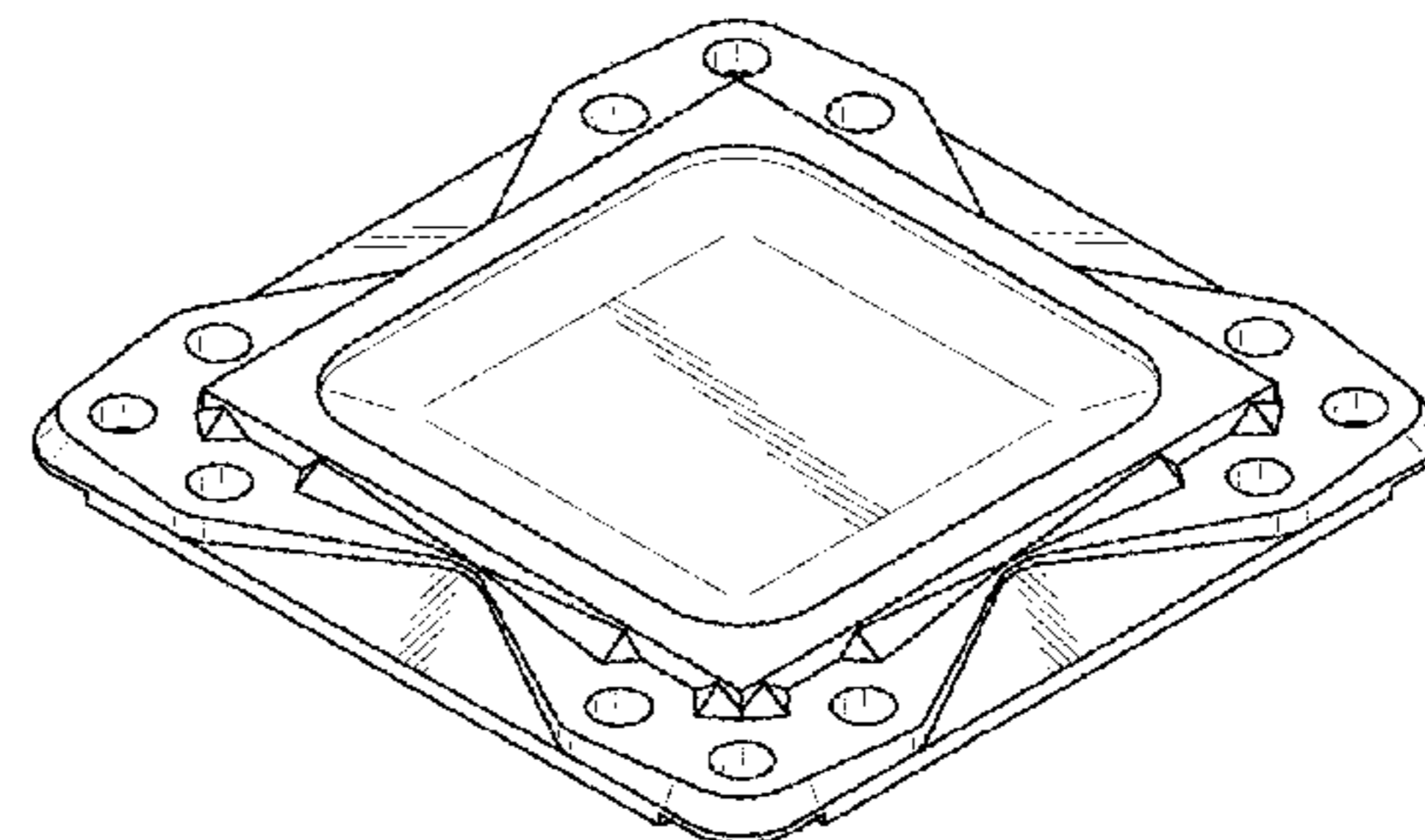
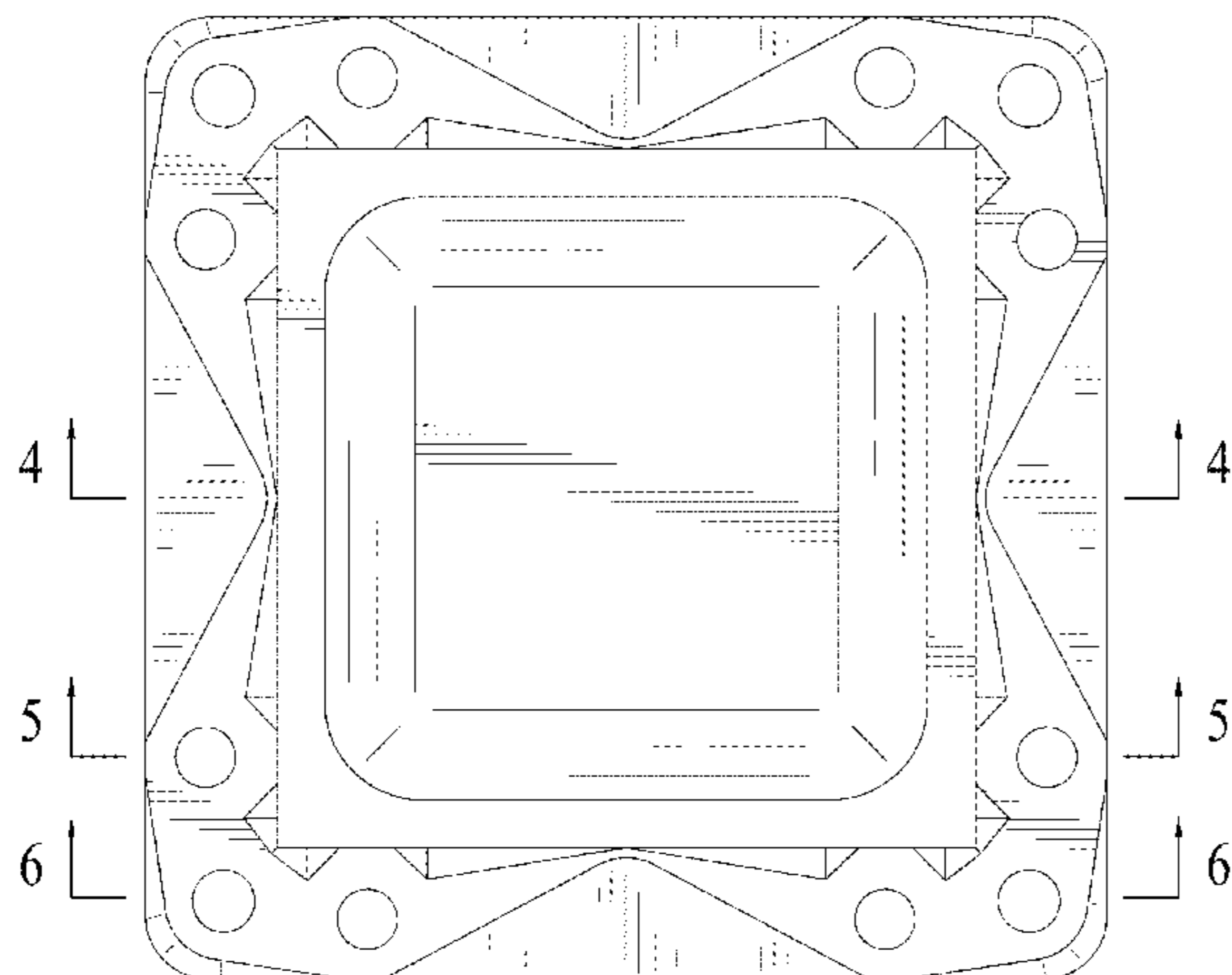
(57) **CLAIM**

The ornamental design for a column base metal fitting, as shown and described.

DESCRIPTION

FIG. 1 is a top plan view of column base metal fitting showing our new design;
FIG. 2 is a bottom plan view thereof;
FIG. 3 is a front elevation view thereof, the rear and both sides being identical;
FIG. 4 is a cross sectional view, taken in the direction of line 4-4 of FIG. 1;
FIG. 5 is a cross sectional view, taken in the direction of line 5-5 of FIG. 1;
FIG. 6 is a cross sectional view, taken in the direction of line 6-6 of FIG. 1; and,
FIG. 7 is a top perspective view of FIG. 1.

1 Claim, 5 Drawing Sheets



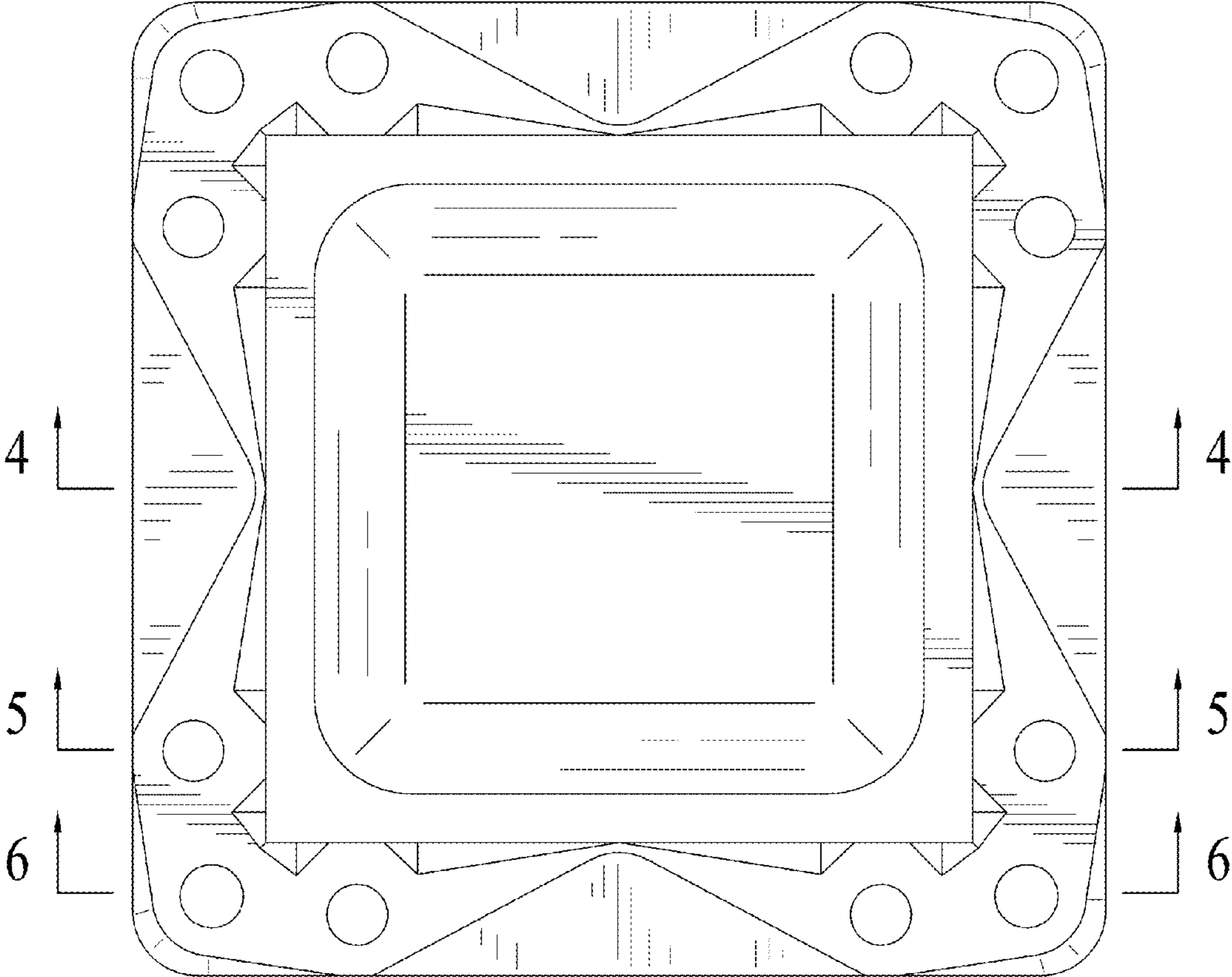


FIG. 1

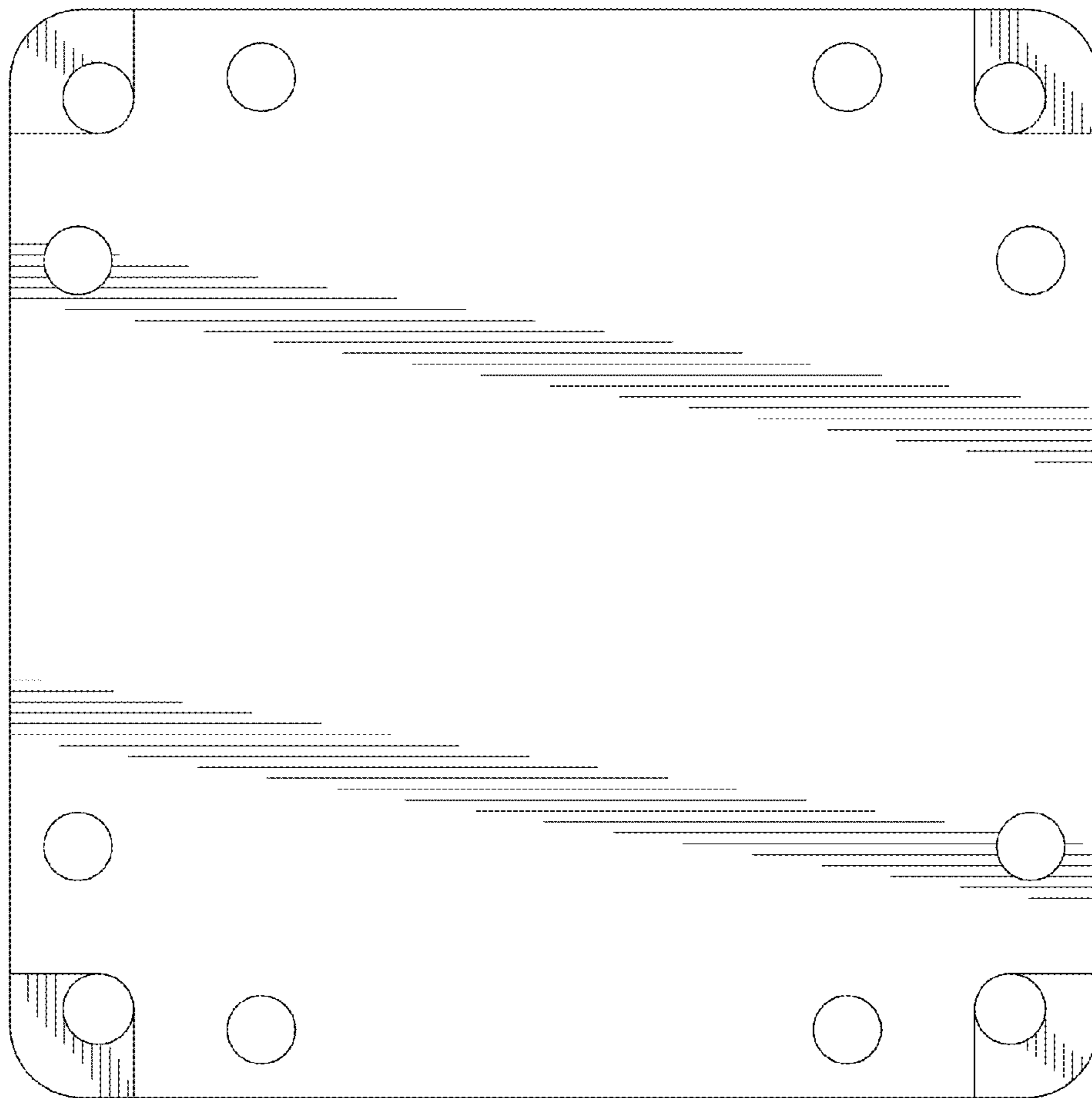


FIG. 2

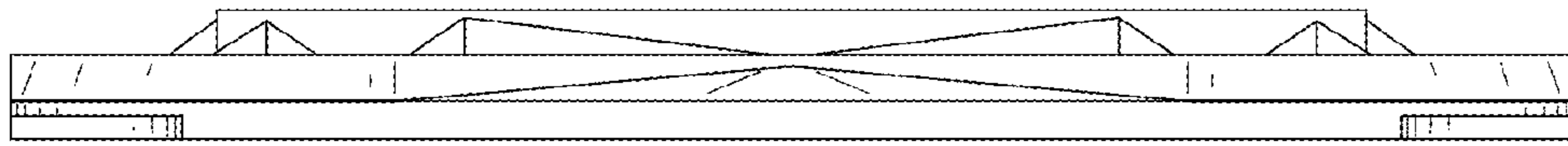


FIG. 3

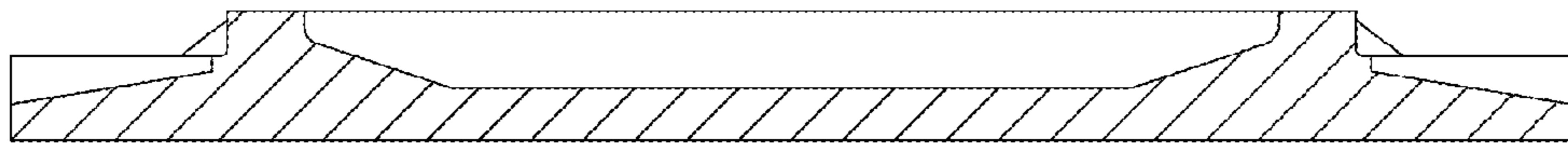


FIG. 4

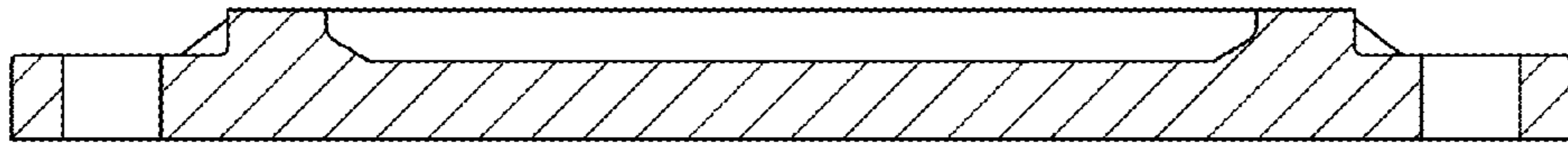


FIG. 5



FIG. 6

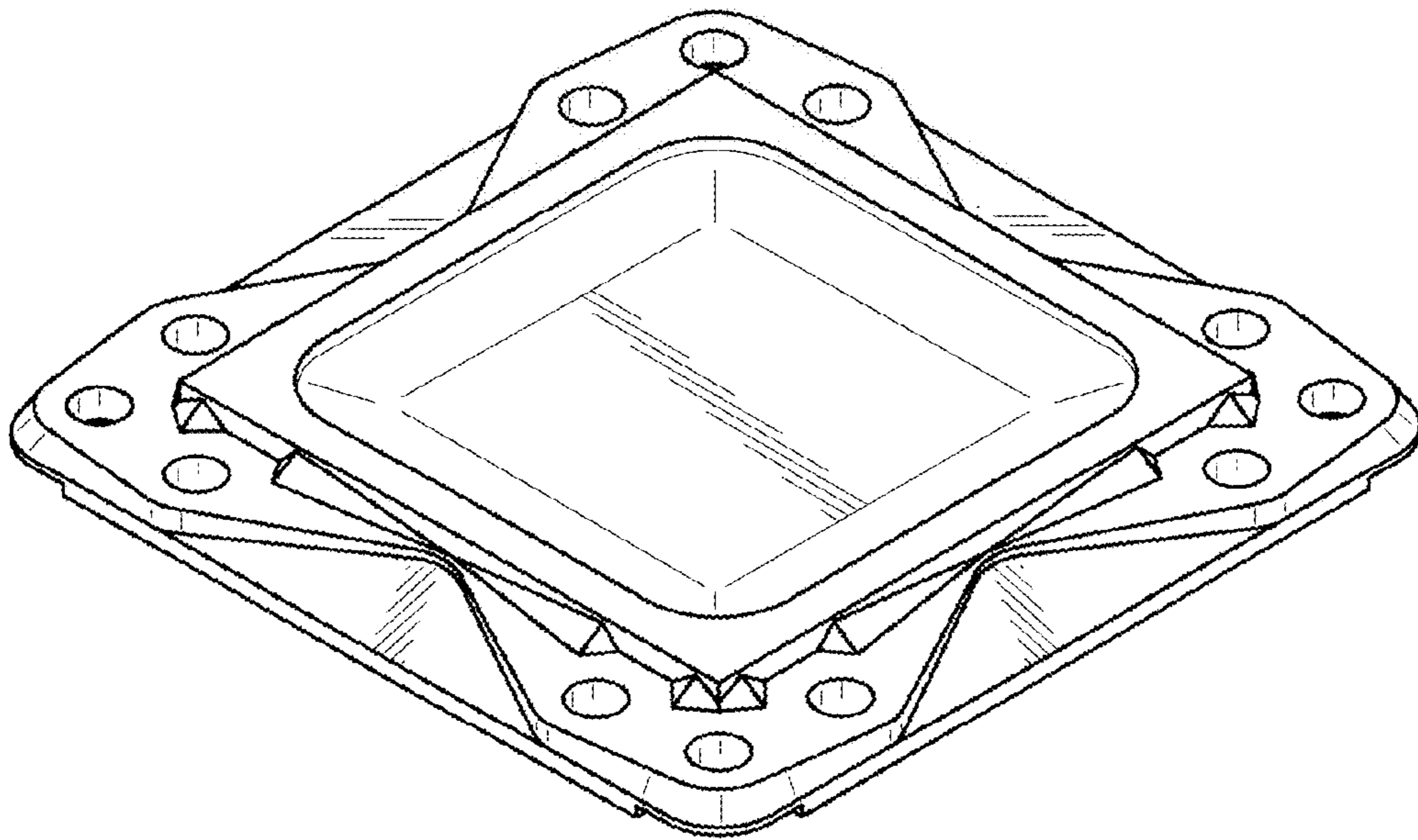


FIG. 7