



US00D767163S

(12) **United States Design Patent**  
**Schimmel et al.**

(10) **Patent No.:** **US D767,163 S**  
(45) **Date of Patent:** **\*\* Sep. 20, 2016**

(54) **CULTURE DISH**

(71) Applicants: **Timothy Schimmel**, Randolph, NY (US); **Jacques Cohen**, New York, NY (US); **Michael Cecchi**, Longboat Key, FL (US)

(72) Inventors: **Timothy Schimmel**, Randolph, NY (US); **Jacques Cohen**, New York, NY (US); **Michael Cecchi**, Longboat Key, FL (US)

(\*\*) Term: **15 Years**

(21) Appl. No.: **29/544,434**

(22) Filed: **Nov. 3, 2015**

(51) **LOC (10) Cl.** ..... **24-02**

(52) **U.S. Cl.**  
USPC ..... **D24/226**

(58) **Field of Classification Search**

USPC ..... D24/216, 223, 224, 225, 226, 227, 229, D24/230, 231, 232; D3/203.1, 203.2; D10/81, 78; 220/259.2, 560.04; 435/288.1–288.4, 304.1–304.3, 435/305.1–305.3, 307, 294.1, 287.4–287.5, 435/29–30; 422/500, 549–559, 528, 501, 422/561, 436; 206/365, 507; 215/224, 305, 215/306, 365, 230, 204  
CPC .. C12M 23/10; B65B 31/00; B01L 3/50825; B01L 3/5085; B01L 3/0275; B01L 3/502738; C12Q 1/04; G01N 33/5304; G01N 35/1002; B01J 19/0093; A61M 5/002; B65D 50/061; B65D 51/243; A45D 40/221; G21F 5/005  
See application file for complete search history.

(56) **References Cited**

**U.S. PATENT DOCUMENTS**

3,776,818 A \* 12/1973 Khan ..... C12M 23/10  
435/288.3  
3,888,741 A \* 6/1975 Freake ..... C12M 41/34  
435/288.3  
3,986,935 A \* 10/1976 Jackson, Jr. .... C12M 23/10  
435/305.1

4,975,377 A \* 12/1990 Key ..... C12M 23/10  
422/551  
5,520,302 A \* 5/1996 Anderson ..... C12M 23/10  
206/507  
5,605,836 A \* 2/1997 Chen ..... C12M 23/10  
435/287.4  
D378,941 S \* 4/1997 Lahm ..... D24/224  
5,792,654 A \* 8/1998 Bohannon ..... B01L 3/5085  
220/253  
5,801,055 A \* 9/1998 Henderson ..... B01L 3/50255  
422/536  
D403,077 S \* 12/1998 Bohannon ..... D24/216  
D411,308 S \* 6/1999 Pandey ..... D24/216  
D613,874 S \* 4/2010 Lafond ..... D24/226  
D629,120 S \* 12/2010 Lafond ..... D24/224  
D630,338 S \* 1/2011 Lafond ..... D24/226  
D674,505 S \* 1/2013 Cecchi ..... D24/224  
D698,940 S \* 2/2014 Pribenszky ..... D24/224  
D700,354 S \* 2/2014 Plougsgaard ..... D24/224  
2004/0214313 A1 \* 10/2004 Zhang ..... C12M 23/10  
435/288.4  
2008/0064090 A1 \* 3/2008 Whittlinger ..... B01L 3/5085  
435/305.3  
2008/0090287 A1 \* 4/2008 Larsen ..... C12M 23/10  
435/287.5

\* cited by examiner

*Primary Examiner* — T. Chase Nelson

*Assistant Examiner* — Mark Cavanna

(74) *Attorney, Agent, or Firm* — Michael A. Blake

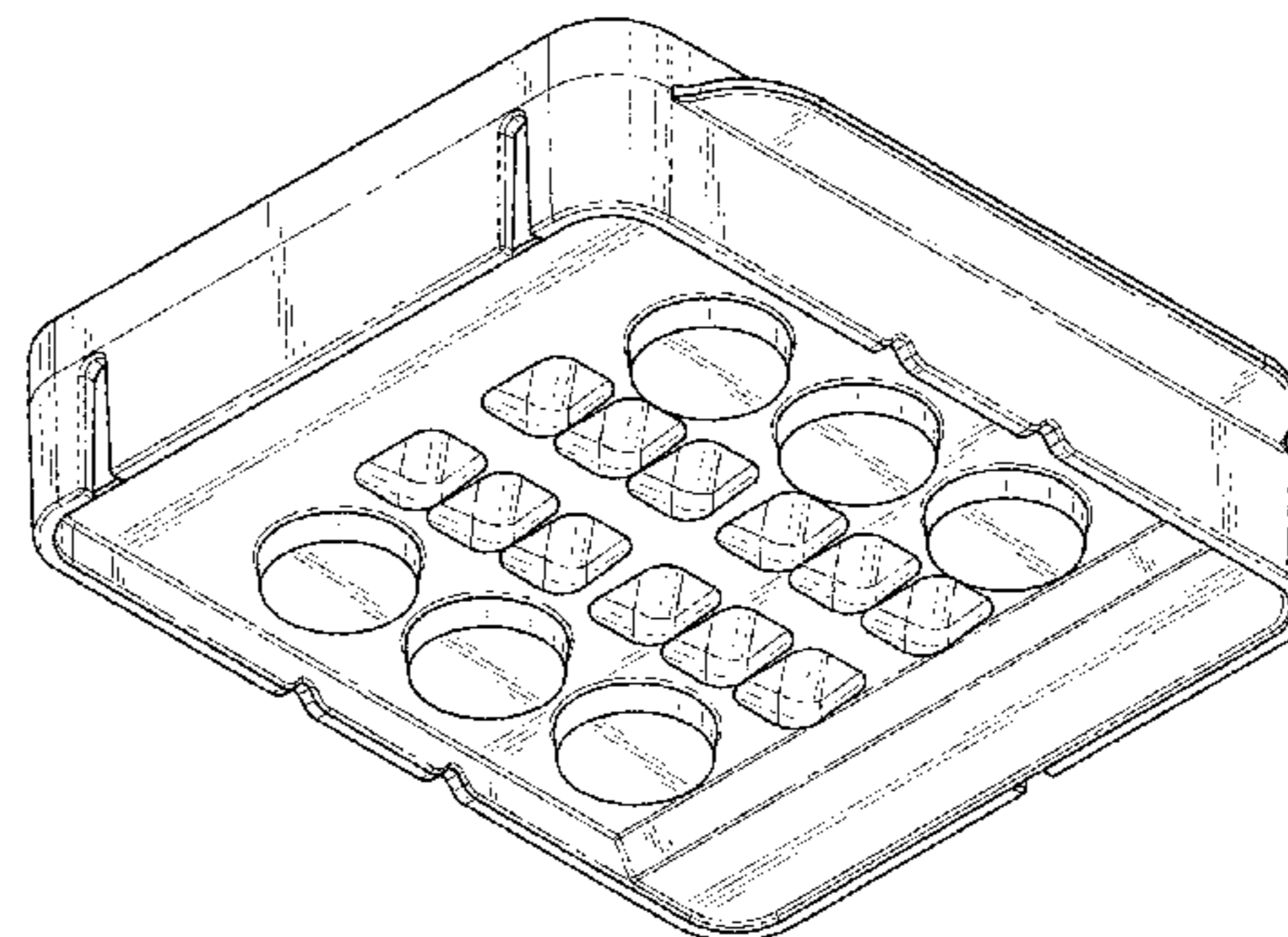
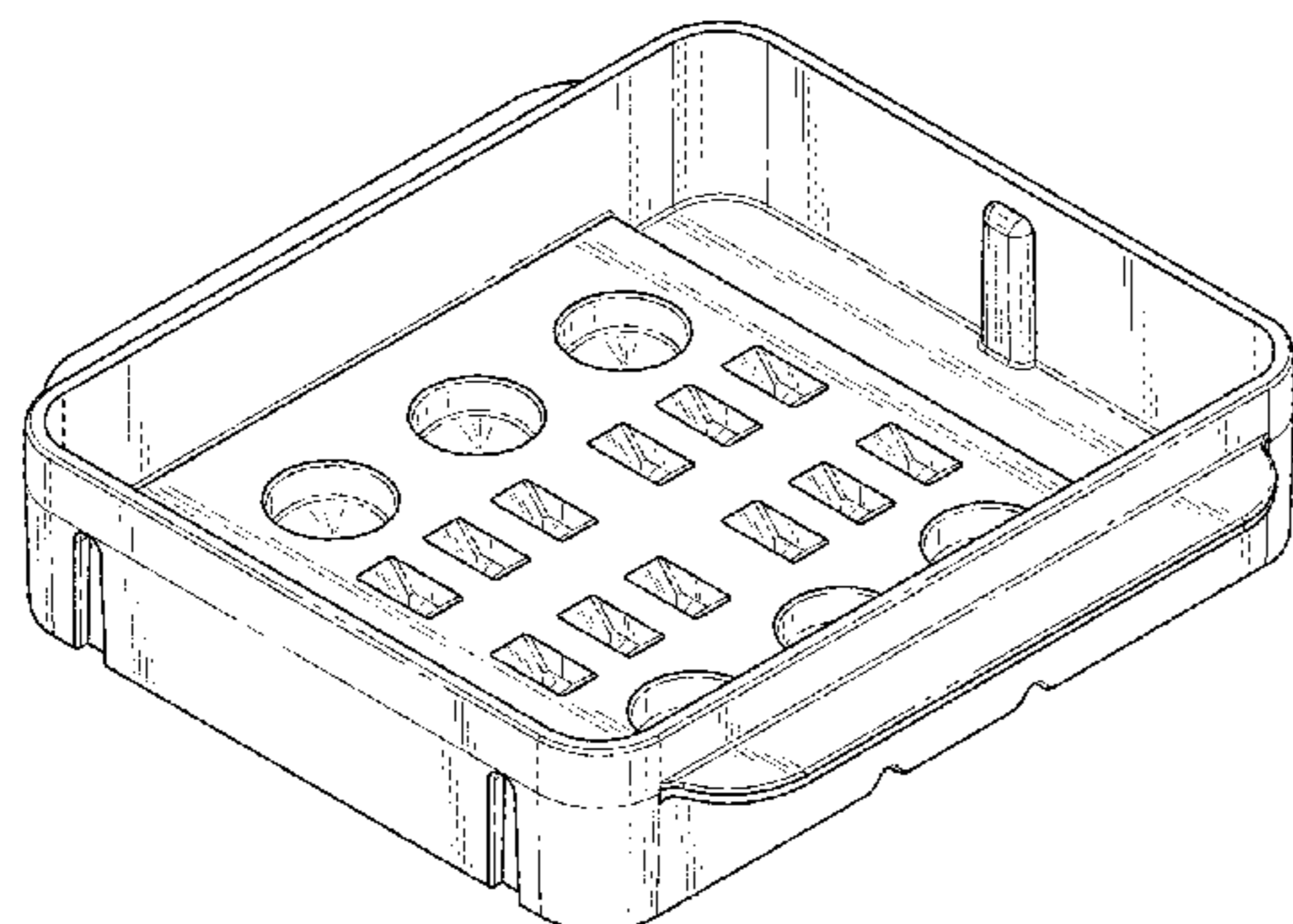
(57) **CLAIM**

The ornamental design for a culture dish, as shown and described.

**DESCRIPTION**

FIG. 1 is a top perspective view of the culture dish; FIG. 2 is a bottom perspective view of the culture dish; FIG. 3 is a left side elevation view of the culture dish; FIG. 4 is a right side elevation view of the culture dish; FIG. 5 is a front elevation view of the culture dish; FIG. 6 is a rear elevation view of the culture dish; FIG. 7 is a top plan view of the culture dish; and, FIG. 8 is a bottom plan view of the culture dish.

**1 Claim, 3 Drawing Sheets**



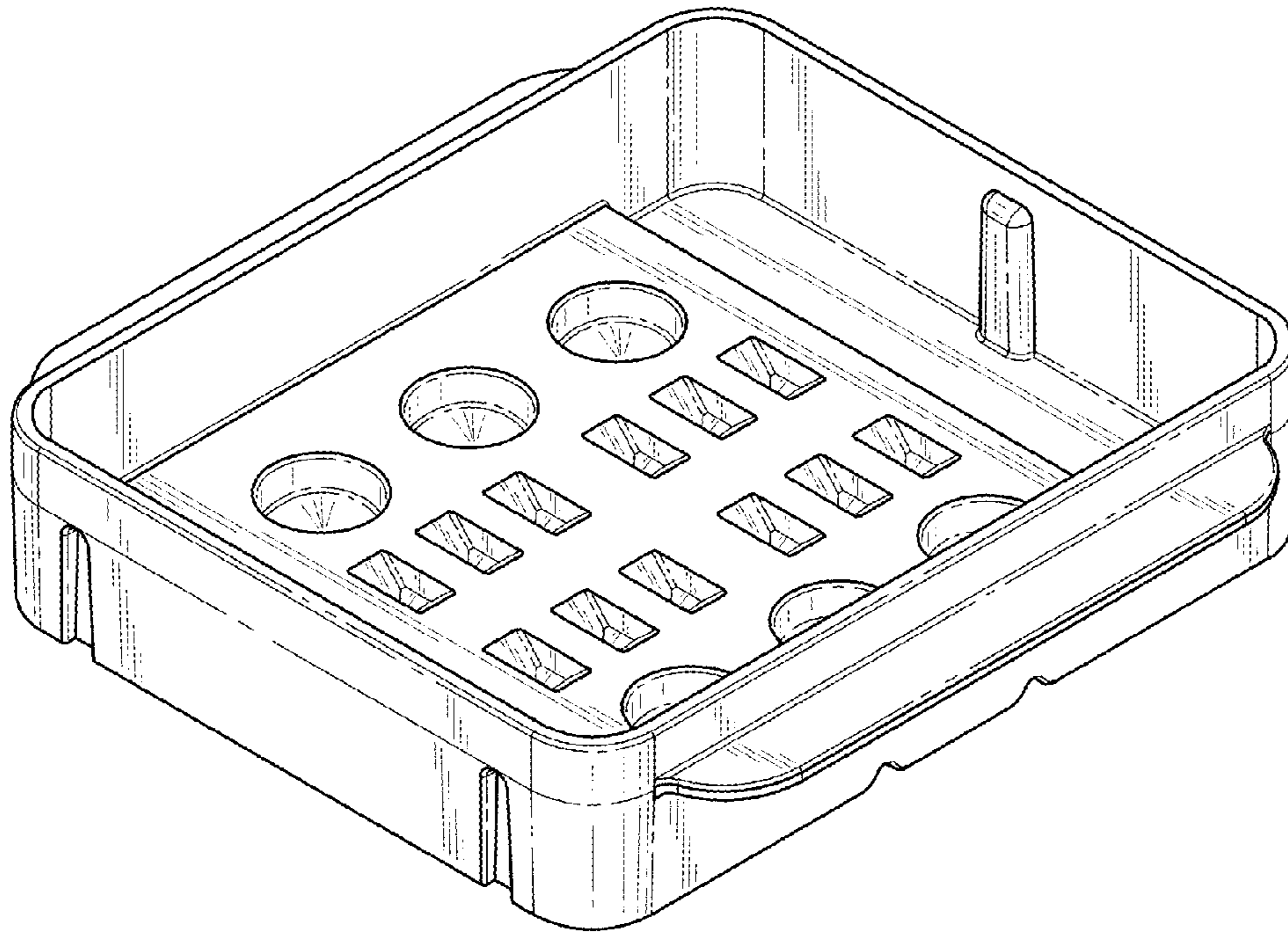


FIG. 1

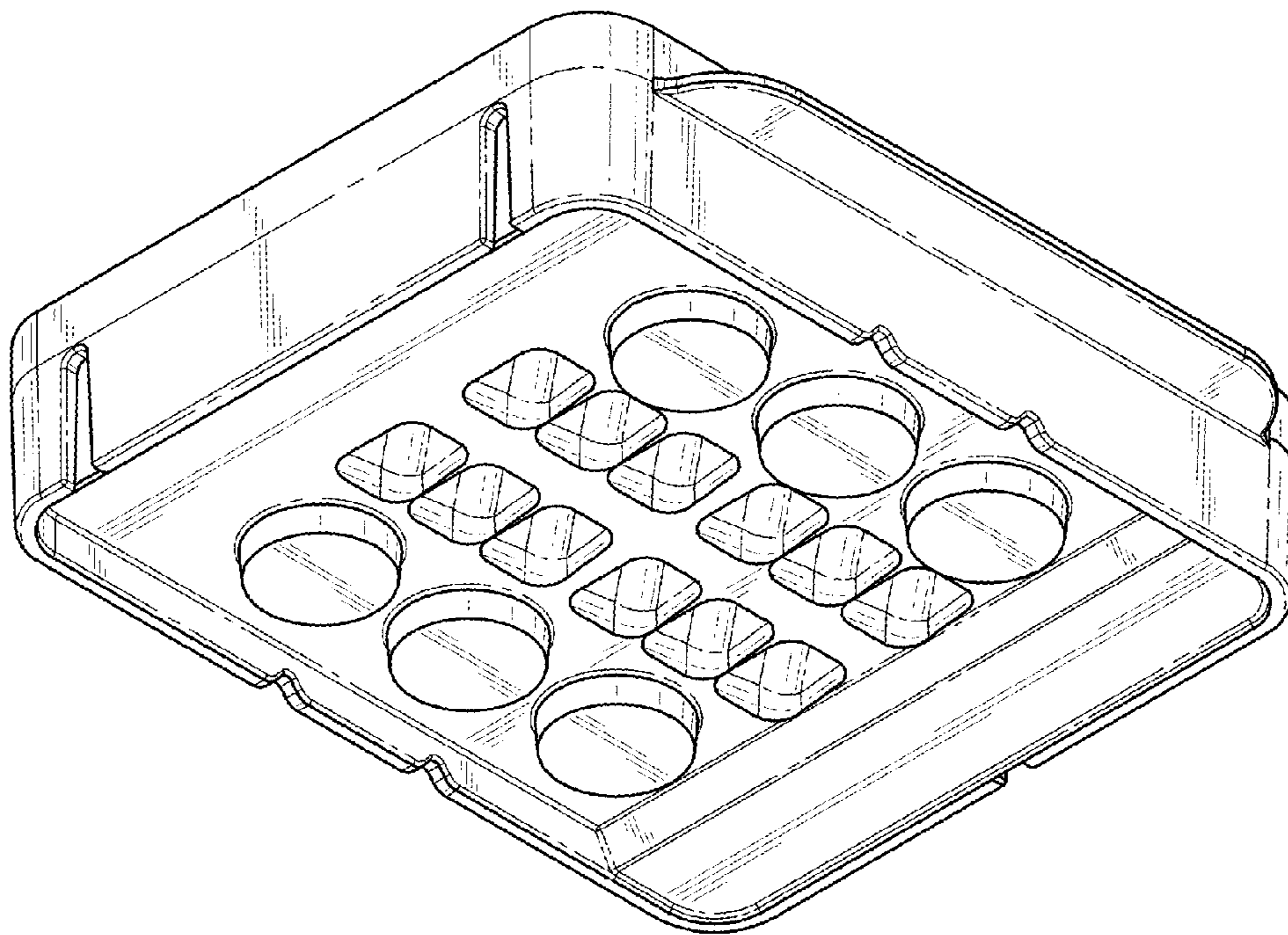
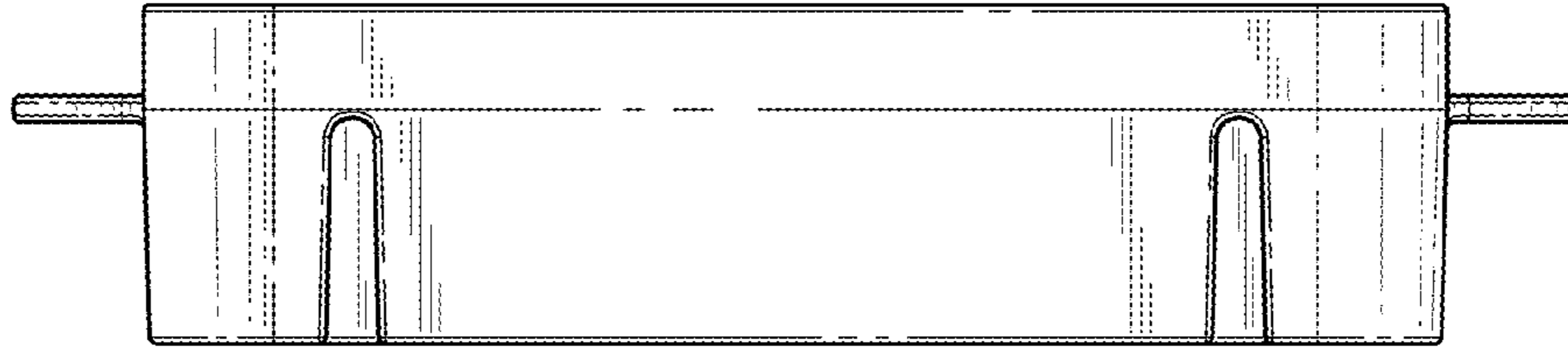
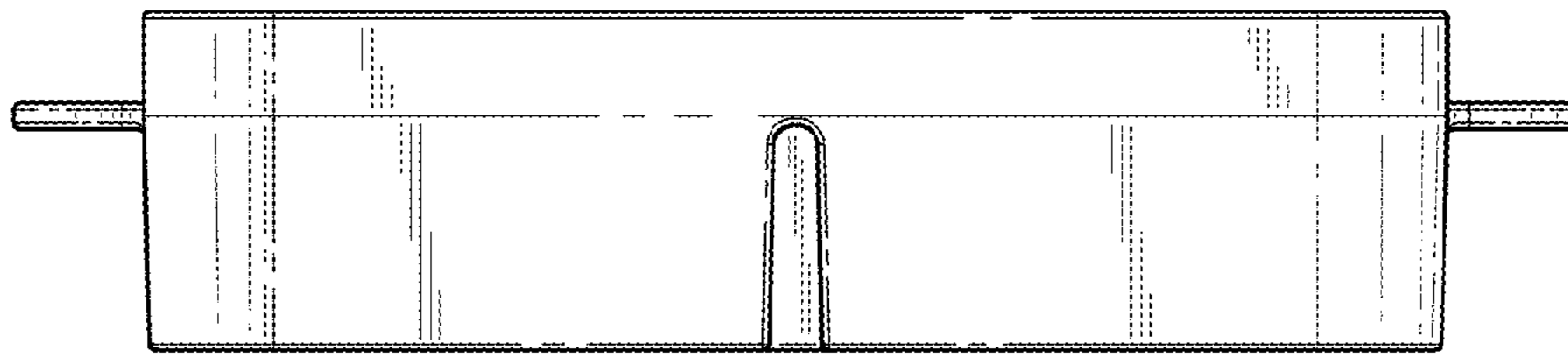


FIG. 2



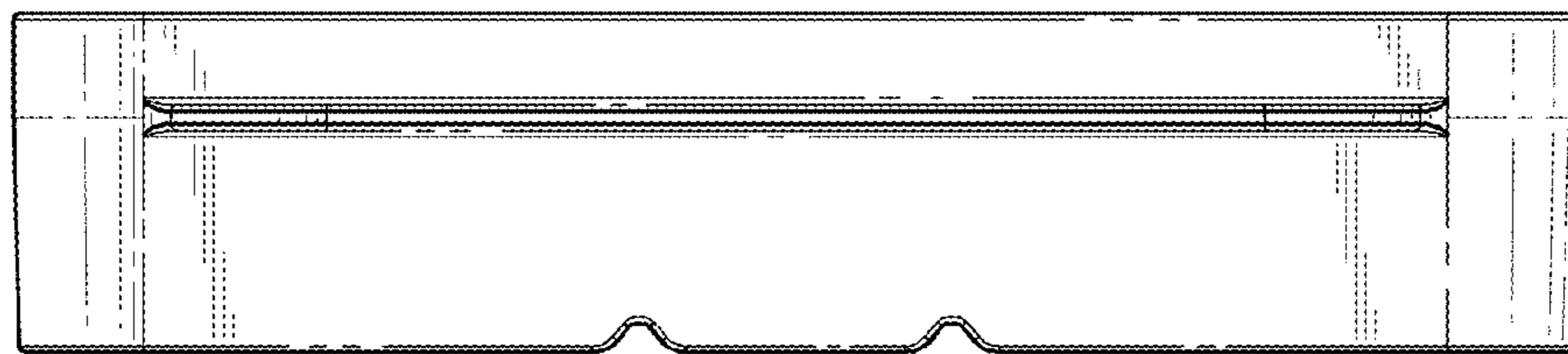
*FIG. 3*



*FIG. 4*



*FIG. 5*



*FIG. 6*

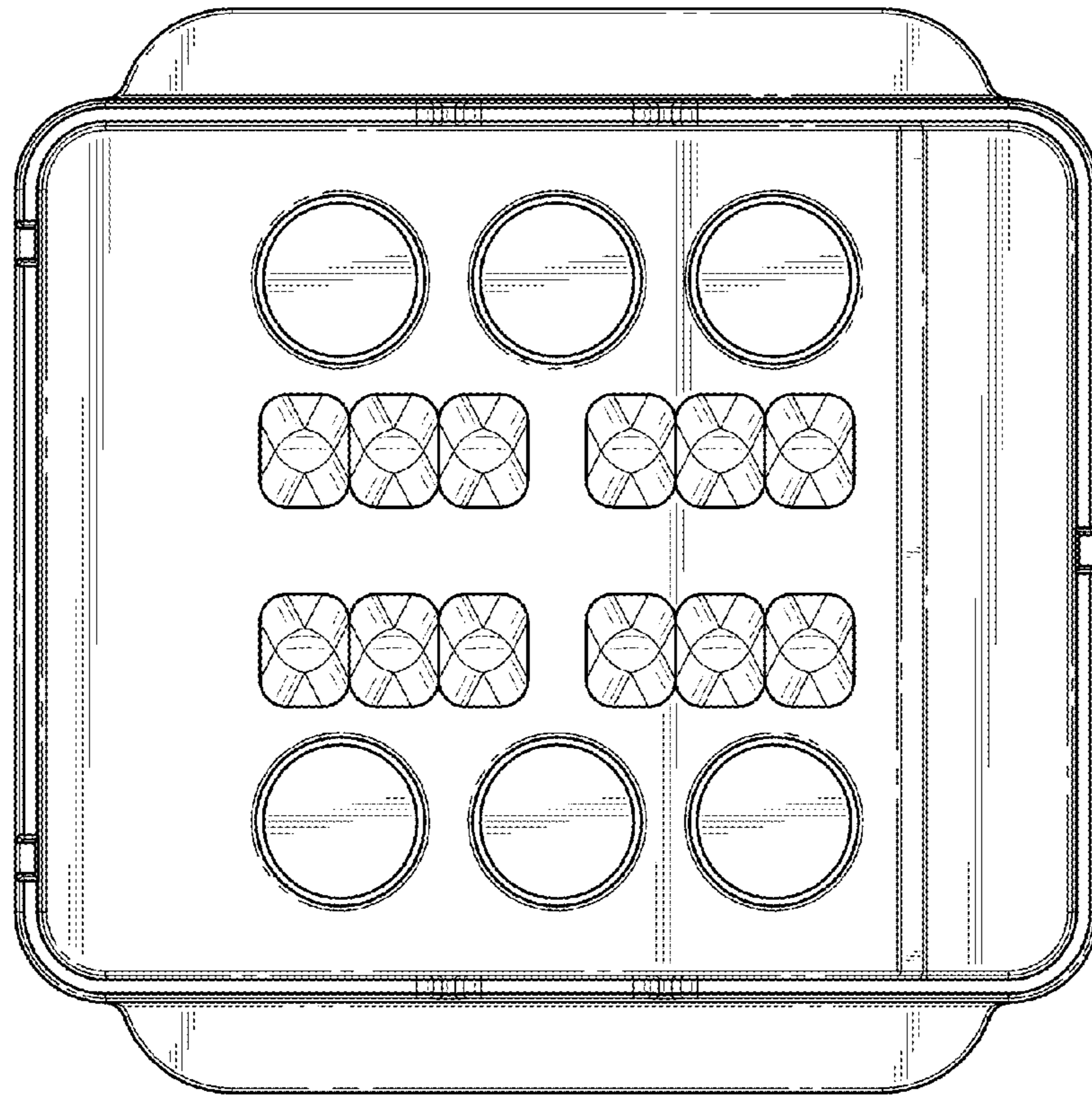


FIG. 8

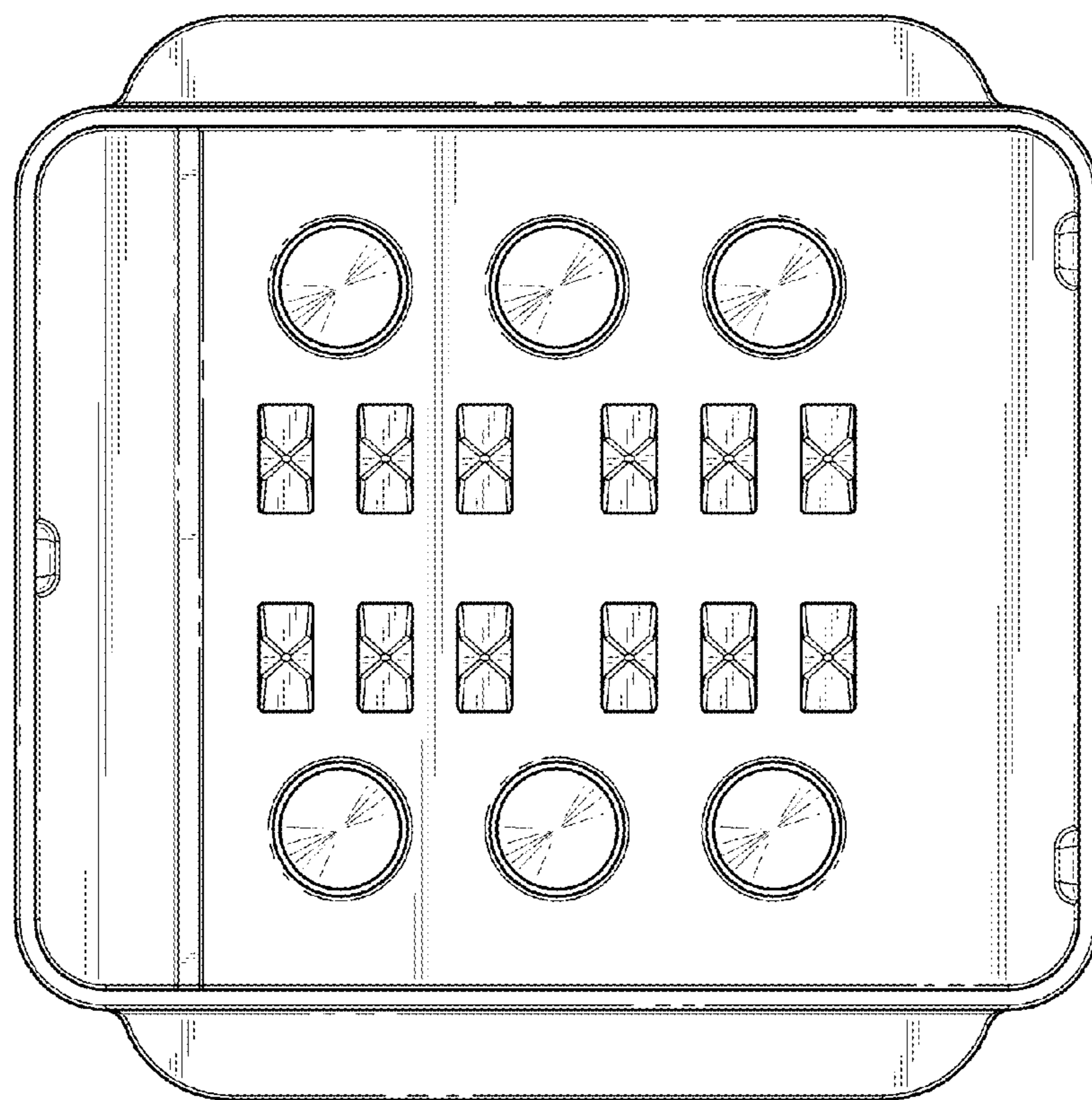


FIG. 7