



US00D767161S

(12) **United States Design Patent**  
**Schimmel et al.**

(10) **Patent No.:** **US D767,161 S**

(45) **Date of Patent:** **\*\* Sep. 20, 2016**

(54) **CULTURE DISH**

(71) Applicants: **Timothy Schimmel**, Randolph, NY (US); **Jacques Cohen**, New York, NY (US); **Michael Cecchi**, Longboat Key, FL (US)

(72) Inventors: **Timothy Schimmel**, Randolph, NY (US); **Jacques Cohen**, New York, NY (US); **Michael Cecchi**, Longboat Key, FL (US)

(\*\*) Term: **15 Years**

(21) Appl. No.: **29/544,427**

(22) Filed: **Nov. 3, 2015**

(51) **LOC (10) Cl.** ..... **24-02**

(52) **U.S. Cl.**  
USPC ..... **D24/226**

(58) **Field of Classification Search**  
USPC ..... D24/216, 223, 224, 225, 226, 227, 229, D24/230, 231, 232; D3/203.1, 203.2; D10/81, 78; 220/259.2, 560.04; 435/288.1-288.4, 304.1-304.3, 435/305.1-305.3, 307, 294.1, 287.4-287.5, 435/29-30; 422/500, 549-559, 528, 501, 422/561, 436; 206/365; 215/224, 305, 306, 215/365, 230, 204  
CPC .. C12M 23/10; B65B 31/00; B01L 3/50825; B01L 3/5085; B01L 3/0275; B01L 3/50255; B01L 3/502738; C12Q 1/04; G01N 33/5304; G01N 35/1002; B01J 19/0093; A61M 5/002; B65D 50/061; B65D 51/243; A45D 40/221; G21F 5/005

See application file for complete search history.

(56) **References Cited**

**U.S. PATENT DOCUMENTS**

3,165,450 A \* 1/1965 Scheidt ..... C12M 23/10  
435/305.3  
3,474,004 A \* 10/1969 Fink ..... C12M 23/10  
435/288.3

3,776,818 A \* 12/1973 Khan ..... C12M 23/10  
435/288.3  
D258,761 S \* 3/1981 Graham ..... D24/226  
4,326,028 A \* 4/1982 Brown ..... C12Q 1/04  
435/288.5  
4,668,633 A \* 5/1987 Walton ..... C12M 23/10  
435/305.2  
4,945,061 A \* 7/1990 Iskander ..... C12M 23/10  
435/305.1  
4,975,377 A \* 12/1990 Key ..... C12M 23/10  
422/536  
D315,208 S \* 3/1991 Valencia ..... D24/224  
5,605,836 A \* 2/1997 Chen ..... C12M 23/10  
435/287.4  
5,733,736 A \* 3/1998 Wun ..... G01N 33/5304  
435/30  
5,792,654 A \* 8/1998 Bohannon ..... B01L 3/5085  
422/561  
5,801,055 A \* 9/1998 Henderson ..... B01L 3/50255  
422/536  
D411,308 S \* 6/1999 Pandey ..... D24/216  
5,985,594 A \* 11/1999 Croteau ..... B01L 3/5085  
435/29  
D613,874 S \* 4/2010 Lafond ..... D24/226  
D629,120 S \* 12/2010 Lafond ..... D24/224  
D630,338 S \* 1/2011 Lafond ..... D24/226  
D674,505 S \* 1/2013 Cecchi ..... D24/224  
2004/0214313 A1 \* 10/2004 Zhang ..... C12M 23/10  
435/288.4  
2008/0090287 A1 \* 4/2008 Larsen ..... C12M 23/10  
435/287.5

\* cited by examiner

*Primary Examiner* — Celia Murphy  
*Assistant Examiner* — Mark Cavanna  
(74) *Attorney, Agent, or Firm* — Michael A. Blake

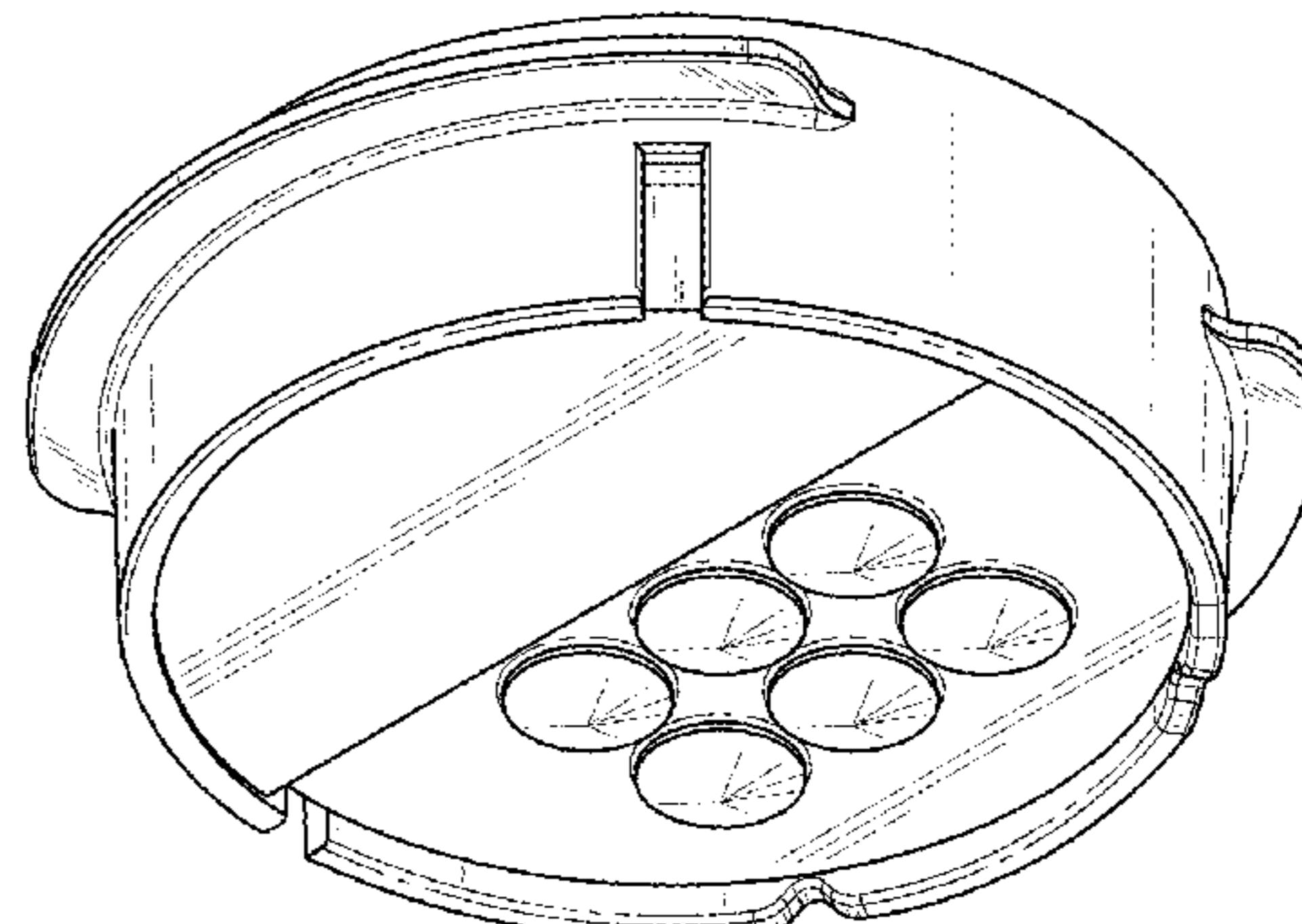
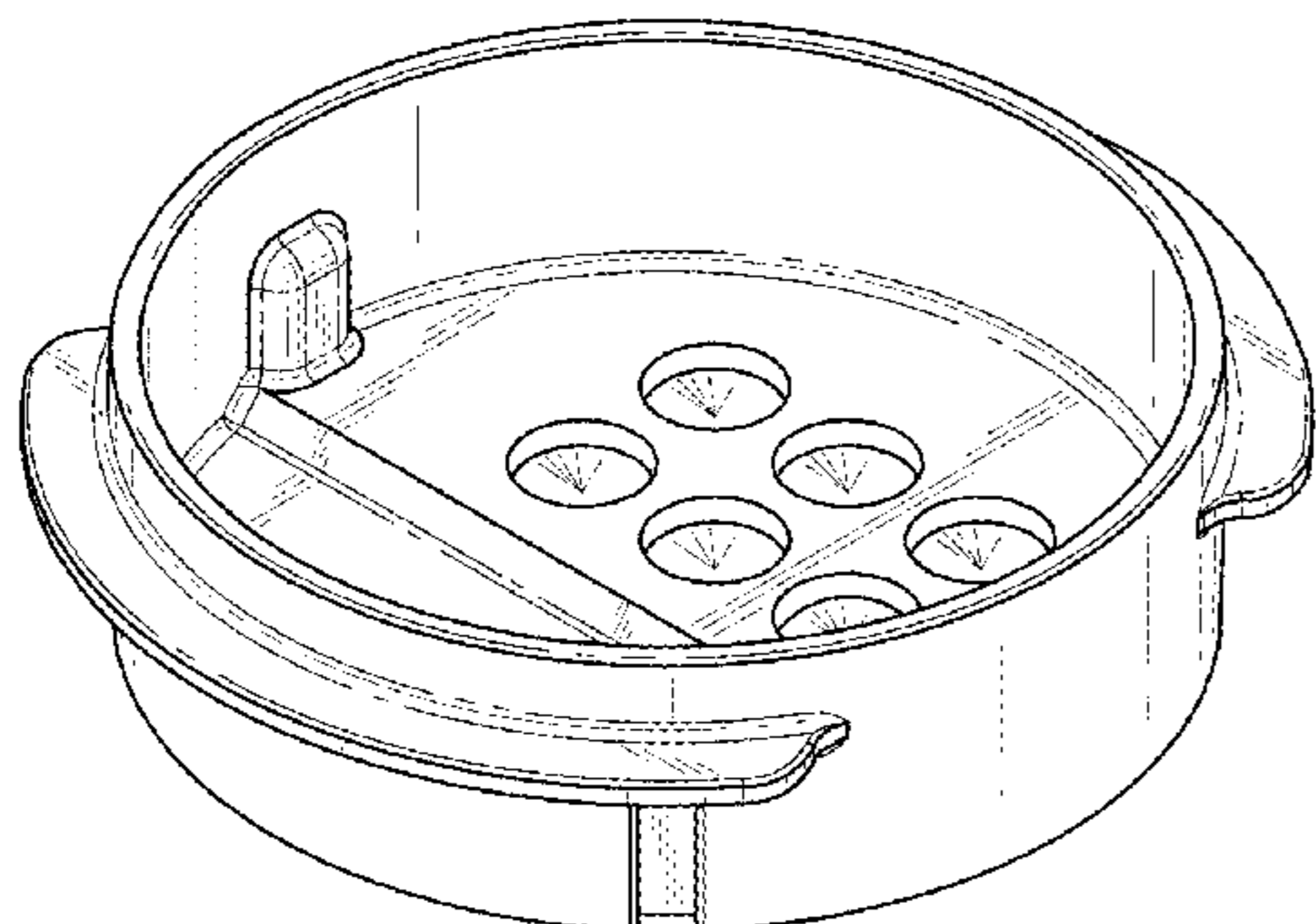
(57) **CLAIM**

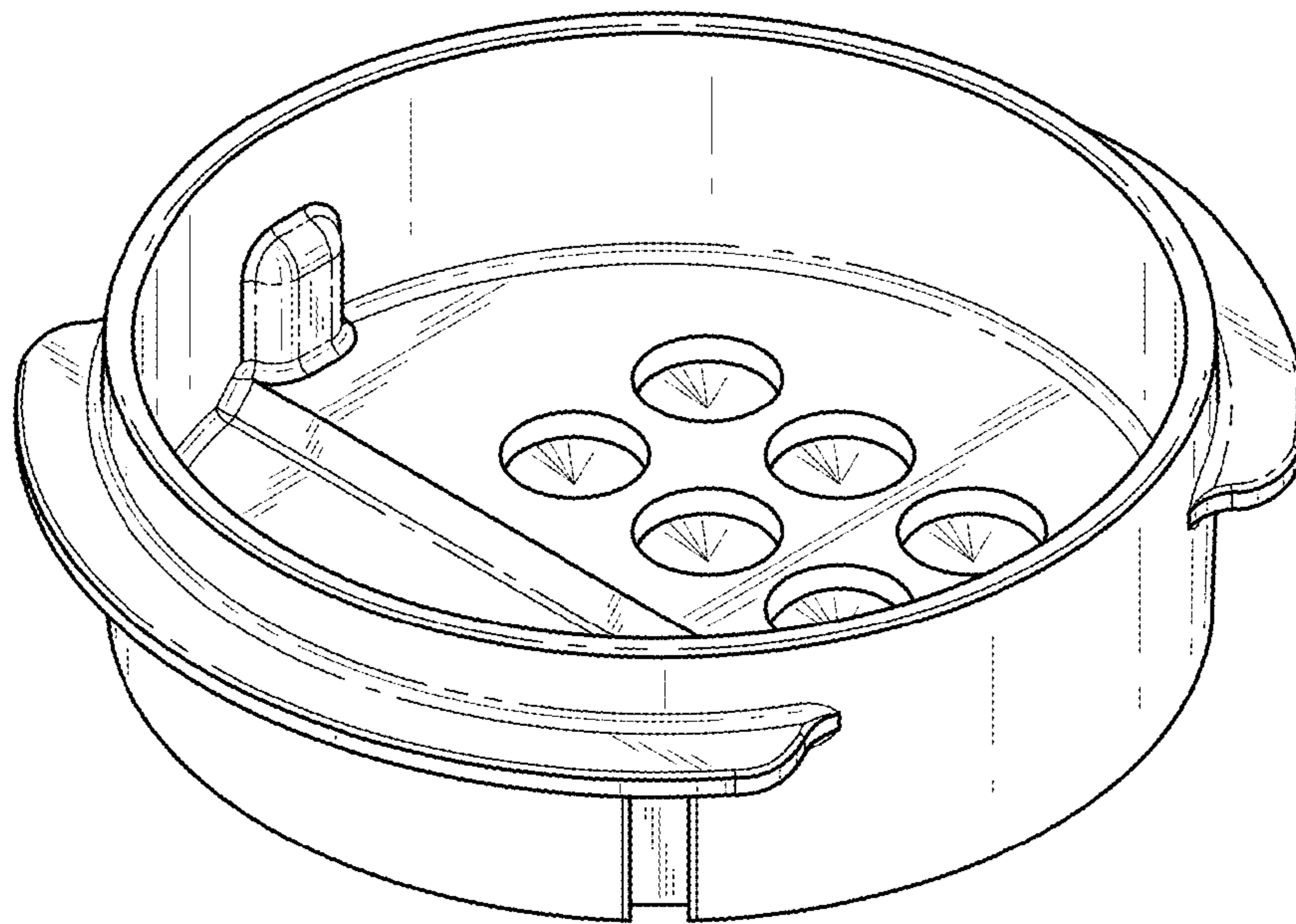
The ornamental design for a culture dish, as shown and described.

**DESCRIPTION**

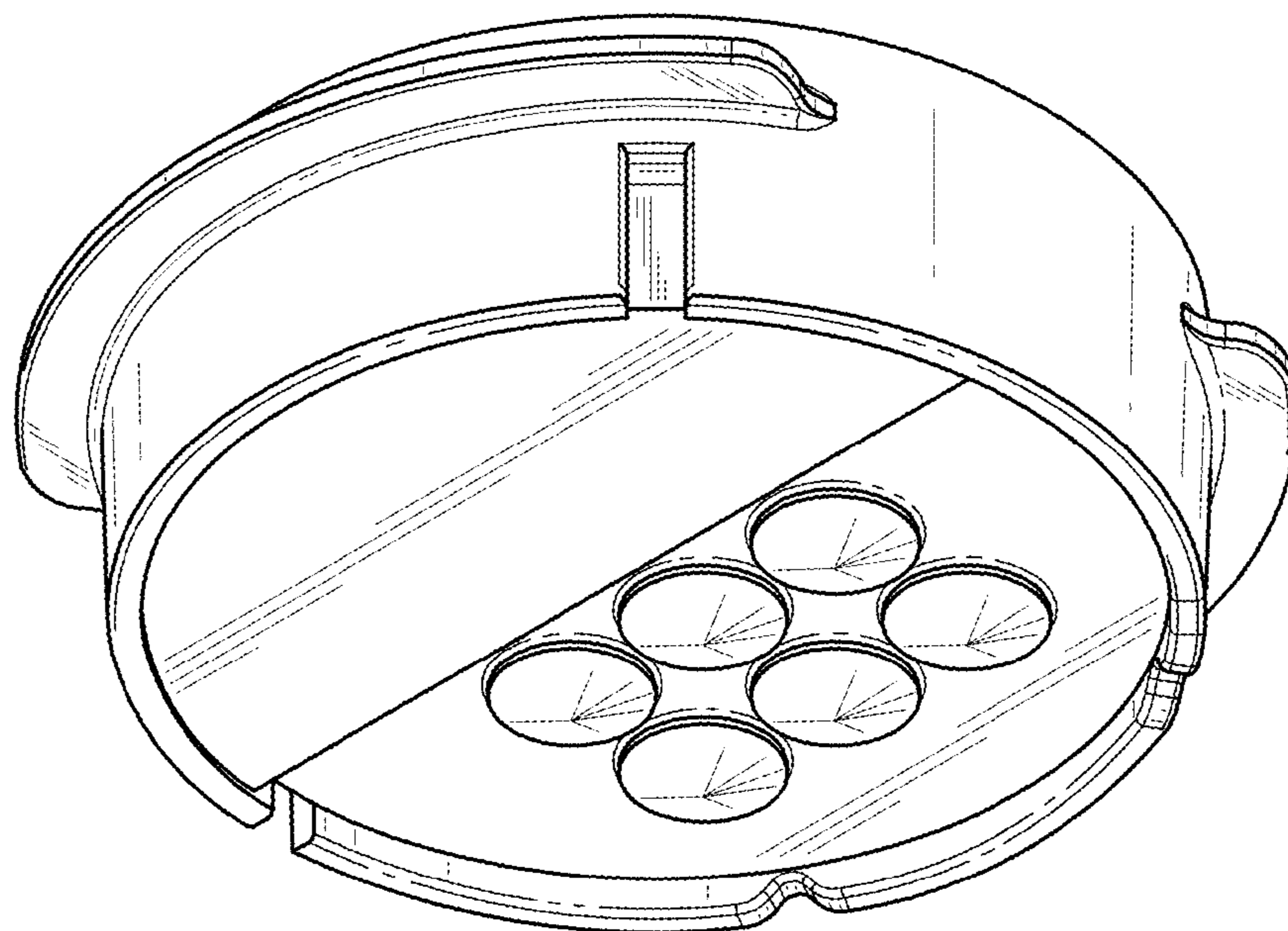
FIG. 1 is a top perspective view of the culture dish; FIG. 2 is a bottom perspective view of the culture dish; FIG. 3 is a left side elevation view of the culture dish; FIG. 4 is a right side elevation view of the culture dish; FIG. 5 is a front elevation view of the culture dish; FIG. 6 is a rear elevation view of the culture dish; FIG. 7 is a top plan view of the culture dish; and, FIG. 8 is a bottom plan view of the culture dish.

**1 Claim, 3 Drawing Sheets**





*FIG. 1*



*FIG. 2*

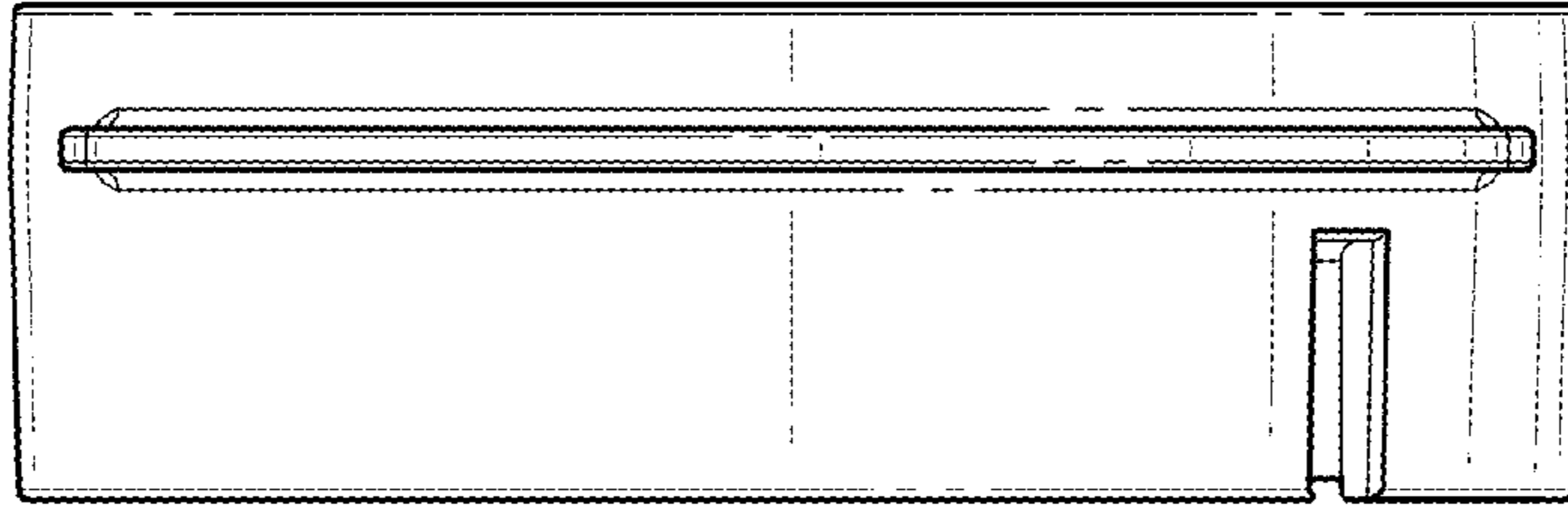


FIG. 3

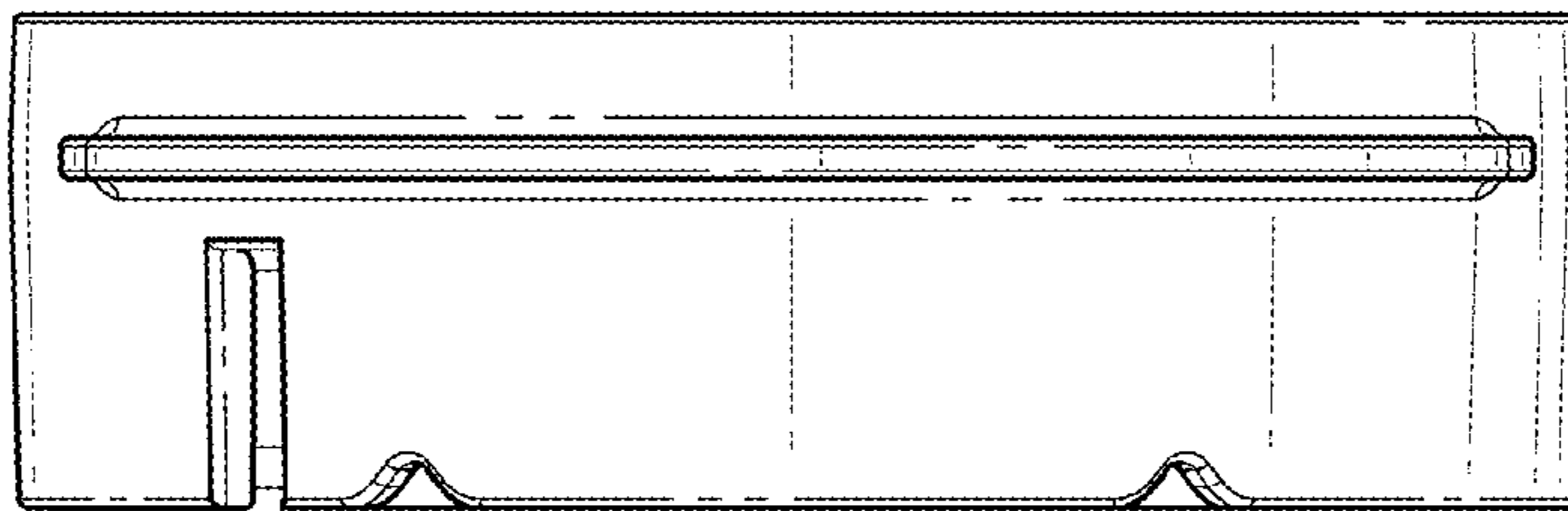


FIG. 4

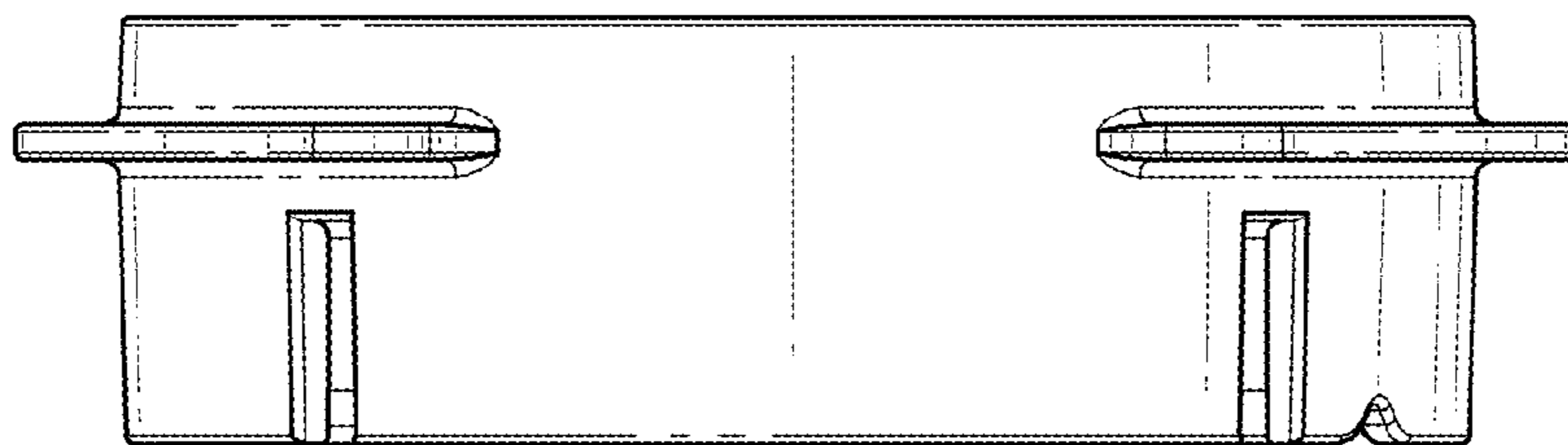


FIG. 5

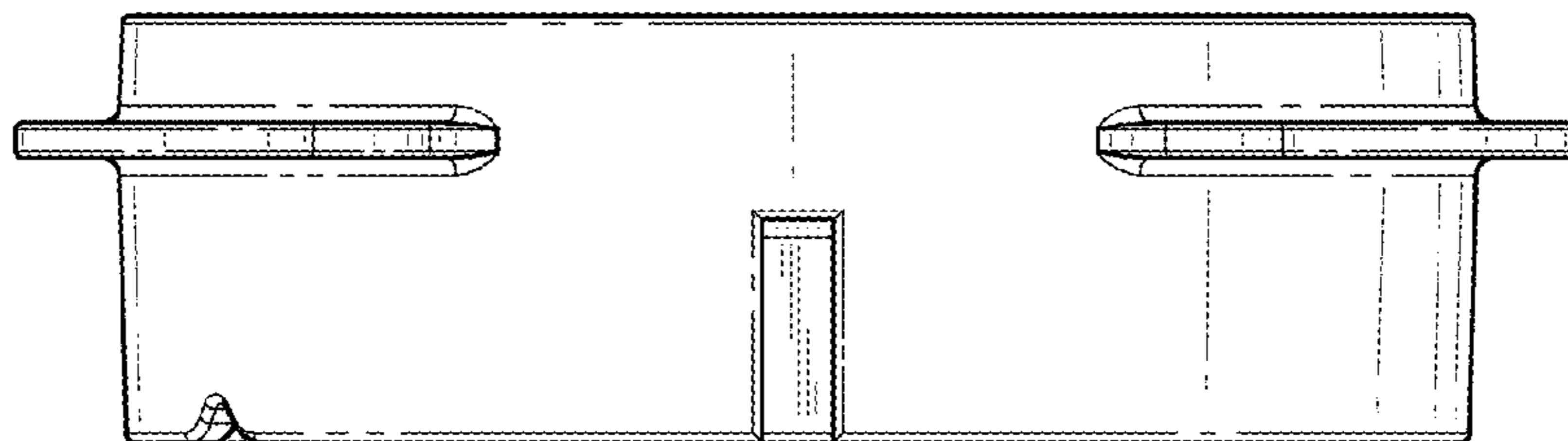


FIG. 6



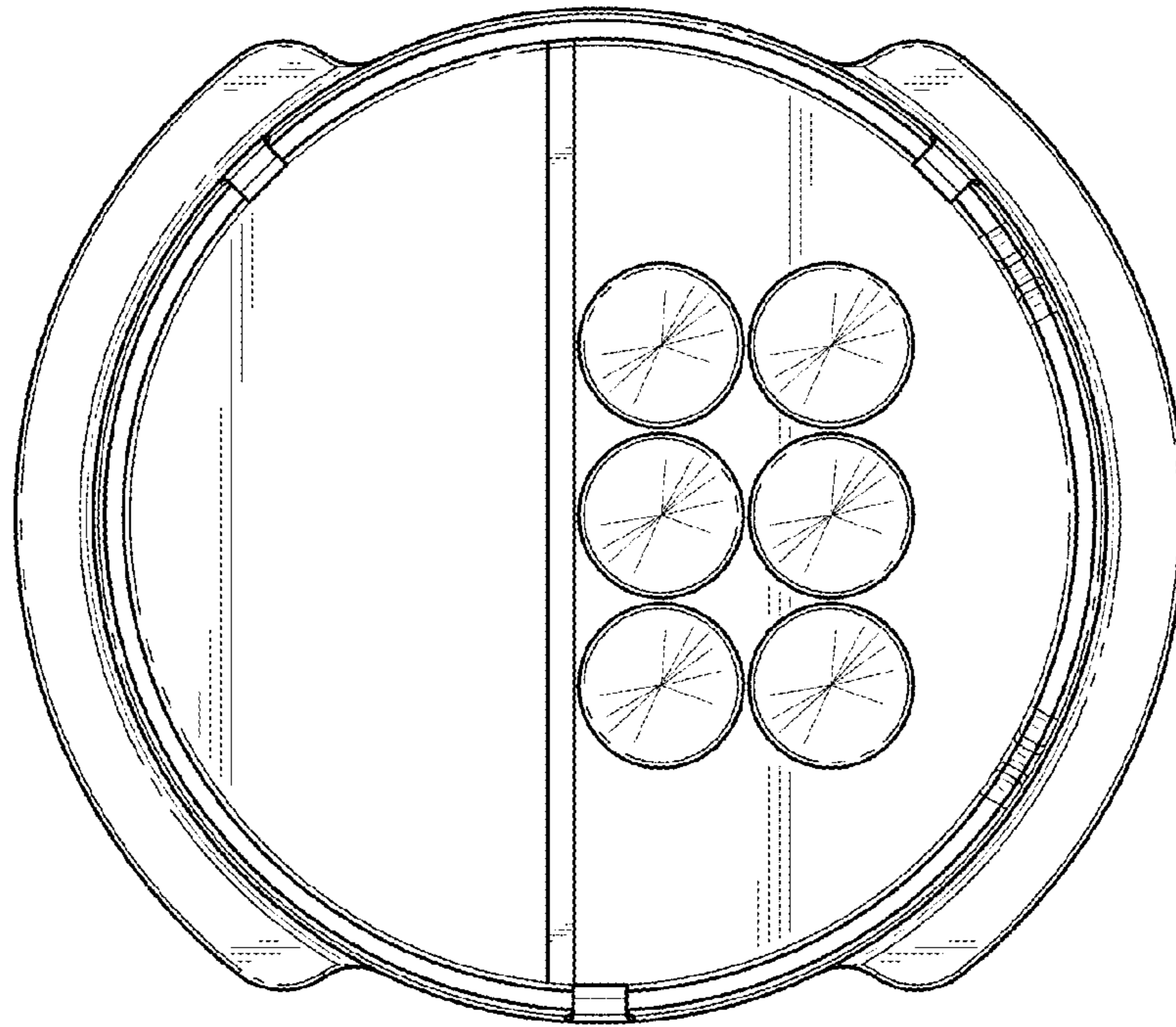


FIG. 8

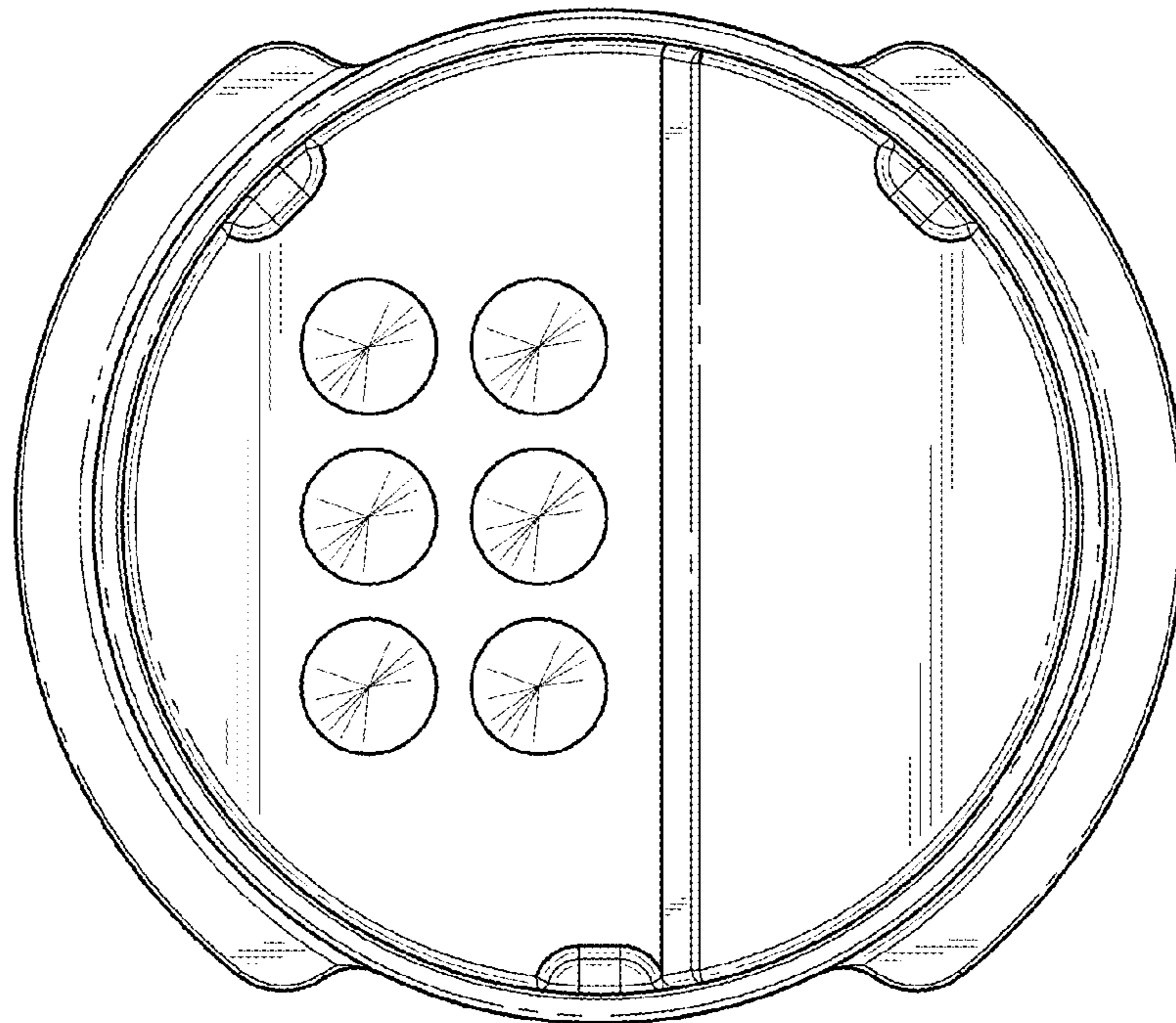


FIG. 7