



US00D767160S

(12) **United States Design Patent**
Schimmel et al.

(10) **Patent No.:** **US D767,160 S**

(45) **Date of Patent:** **** Sep. 20, 2016**

(54) **CULTURE DISH**

(71) Applicants: **Timothy Schimmel**, Randolph, NY (US); **Jacques Cohen**, New York, NY (US); **Michael Cecchi**, Longboat Key, FL (US)

(72) Inventors: **Timothy Schimmel**, Randolph, NY (US); **Jacques Cohen**, New York, NY (US); **Michael Cecchi**, Longboat Key, FL (US)

(**) Term: **15 Years**

(21) Appl. No.: **29/544,425**

(22) Filed: **Nov. 3, 2015**

(51) **LOC (10) Cl.** **24-02**

(52) **U.S. Cl.**
USPC **D24/226**

(58) **Field of Classification Search**
USPC D24/216, 223, 224, 225, 226, 227, 229, D24/230, 231, 232; D3/203.1, 203.2; D10/81, 78; 220/259.2, 560.04; 435/288.1-288.4, 304.1-304.3, 435/305.1-305.3, 307, 294.1, 287.4-287.5, 435/29-30; 422/500, 549-559, 528, 501, 422/561, 436; 206/365; 215/224, 305, 306, 215/365, 230, 204
CPC .. C12M 23/10; B65B 31/00; B01L 3/50825; B01L 3/5085; B01L 3/0275; B01L 3/50255; B01L 3/502738; C12Q 1/04; G01N 33/5304; G01N 35/1002; B01J 19/0093; A61M 5/002; B65D 50/061; B65D 51/243; A45D 40/221; G21F 5/005

See application file for complete search history.

(56) **References Cited**

U.S. PATENT DOCUMENTS

3,165,450 A * 1/1965 Scheidt C12M 23/10 435/305.3
3,474,004 A * 10/1969 Fink C12M 23/10 435/288.3

3,776,818 A * 12/1973 Khan C12M 23/10 435/288.3
D258,761 S * 3/1981 Graham D24/226
4,326,028 A * 4/1982 Brown C12Q 1/04 435/288.5
4,668,633 A * 5/1987 Walton C12M 23/10 435/305.2
4,945,061 A * 7/1990 Iskander C12M 23/10 435/305.1
4,975,377 A * 12/1990 Key C12M 23/10 422/551
D315,208 S * 3/1991 Valencia D24/224
5,605,836 A * 2/1997 Chen C12M 23/10 435/287.4
5,733,736 A * 3/1998 Wun G01N 33/5304 435/30
5,792,654 A * 8/1998 Bohannon B01L 3/5085 422/561
5,801,055 A * 9/1998 Henderson B01L 3/50255 422/536
D411,308 S * 6/1999 Pandey D24/227
5,985,594 A * 11/1999 Croteau B01L 3/5085 435/29
D613,874 S * 4/2010 Lafond D24/226
D629,120 S * 12/2010 Lafond D24/224
D630,338 S * 1/2011 Lafond D24/226
D674,505 S * 1/2013 Cecchi D24/224
2004/0214313 A1 * 10/2004 Zhang C12M 23/10 435/288.4
2008/0090287 A1 * 4/2008 Larsen C12M 23/10 435/287.5

* cited by examiner

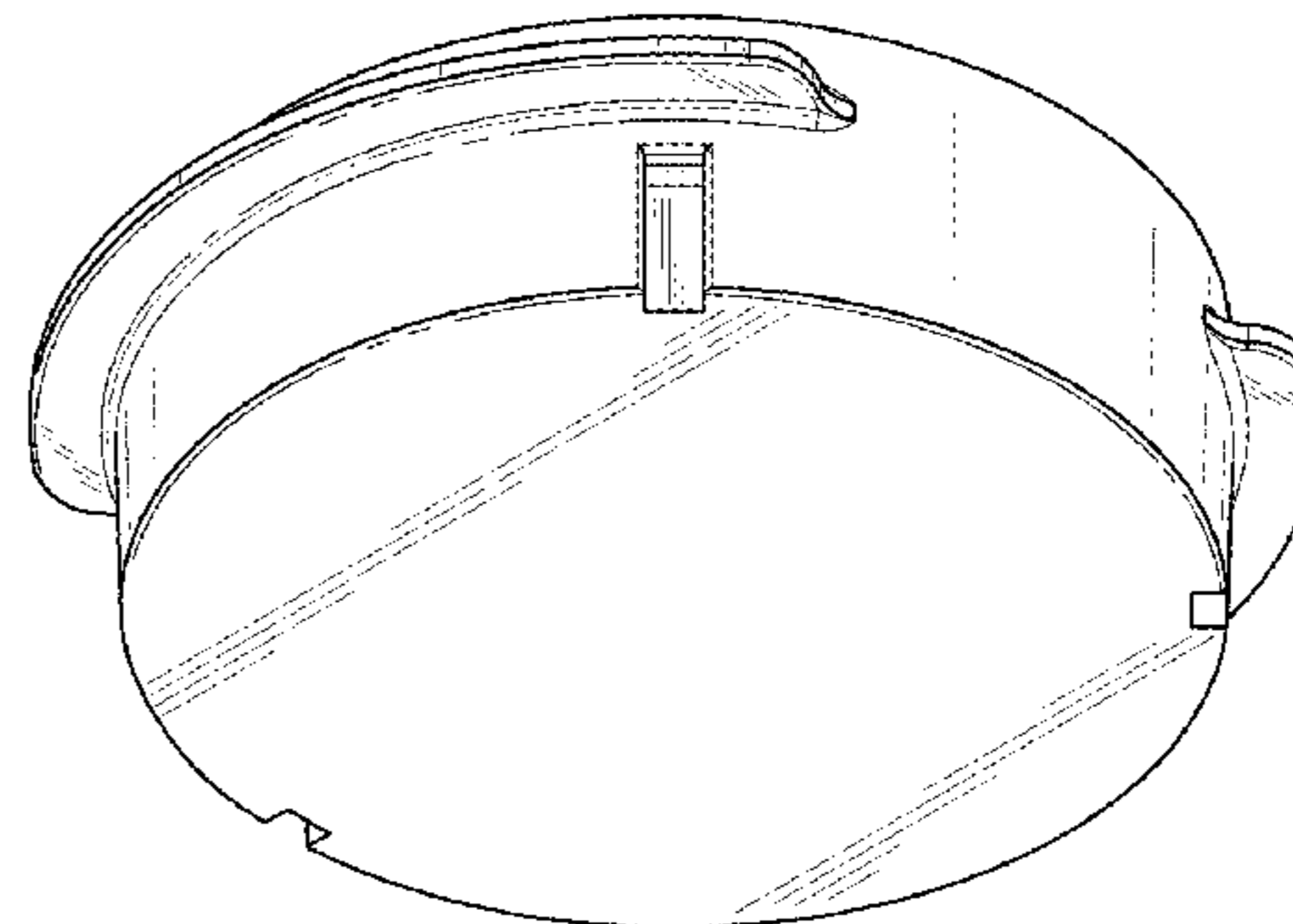
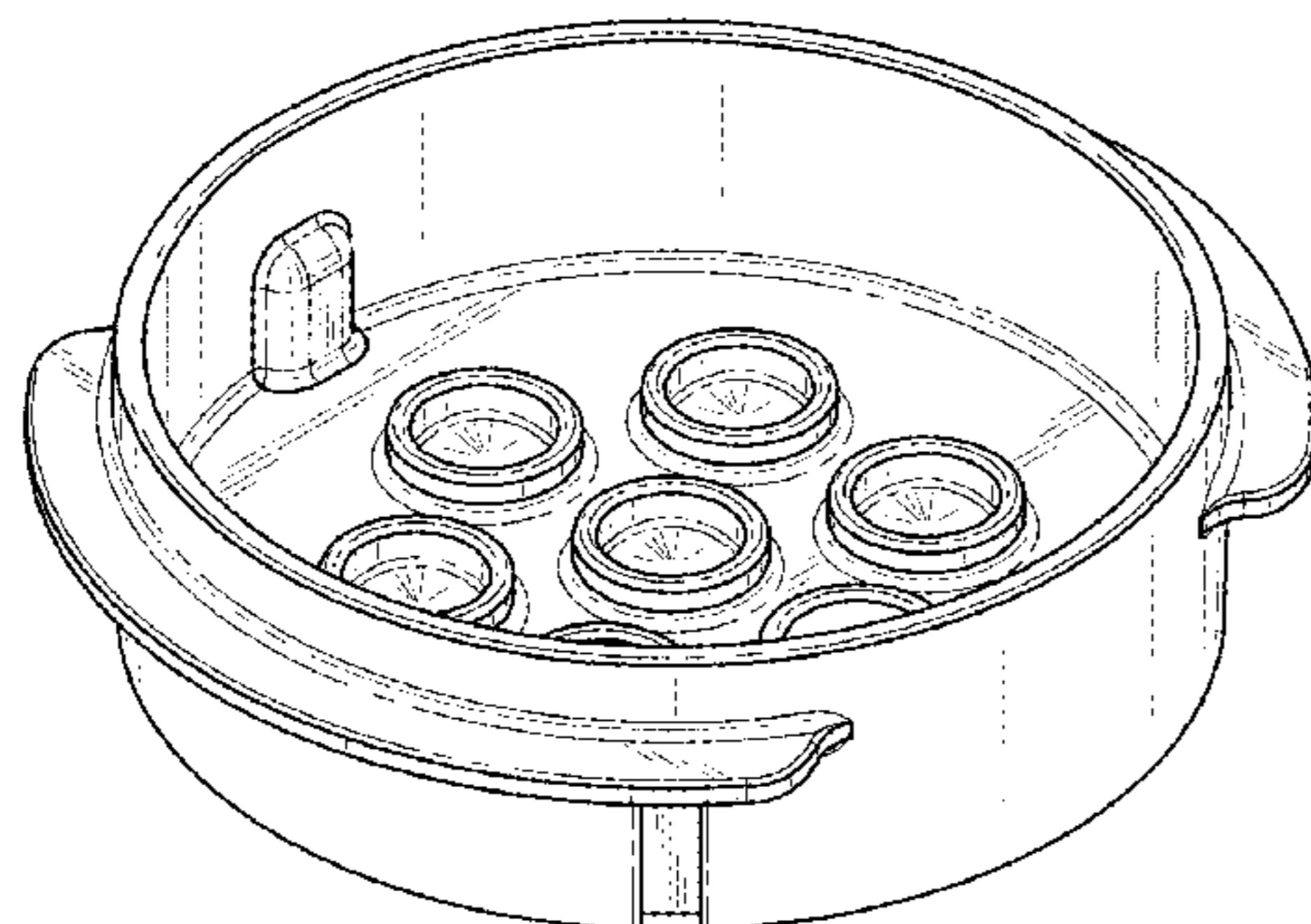
Primary Examiner — Celia Murphy
Assistant Examiner — Mark Cavanna
(74) *Attorney, Agent, or Firm* — Michael A. Blake

(57) **CLAIM**
The ornamental design for a culture dish, as shown and described.

DESCRIPTION

FIG. 1 is a top perspective view of the culture dish; FIG. 2 is a bottom perspective view of the culture dish; FIG. 3 is a left side elevation view of the culture dish; FIG. 4 is a right side elevation view of the culture dish; FIG. 5 is a front elevation view of the culture dish; FIG. 6 is a rear elevation view of the culture dish; FIG. 7 is a top plan view of the culture dish; and, FIG. 8 is a bottom plan view of the culture dish.

1 Claim, 3 Drawing Sheets



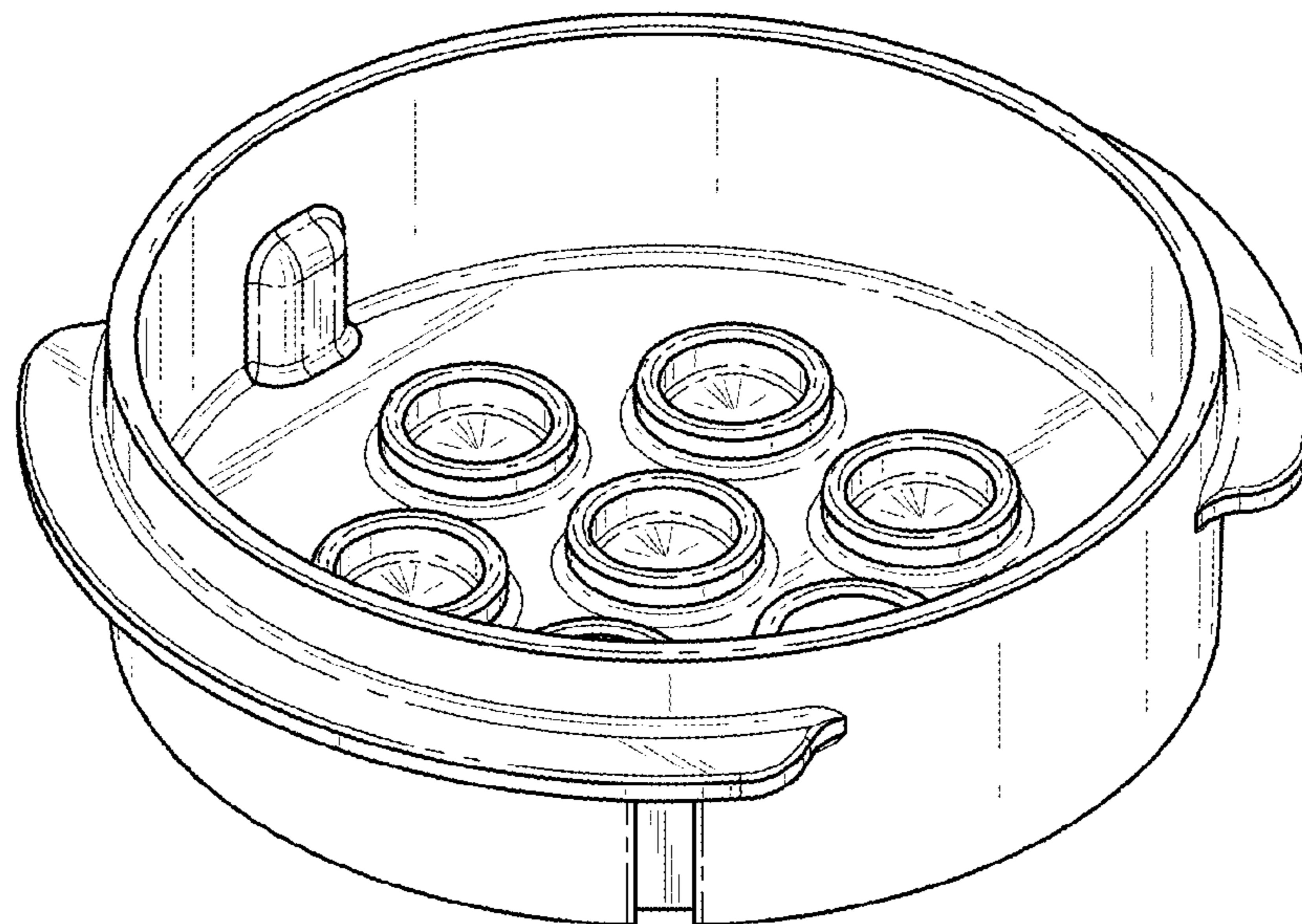


FIG. 1

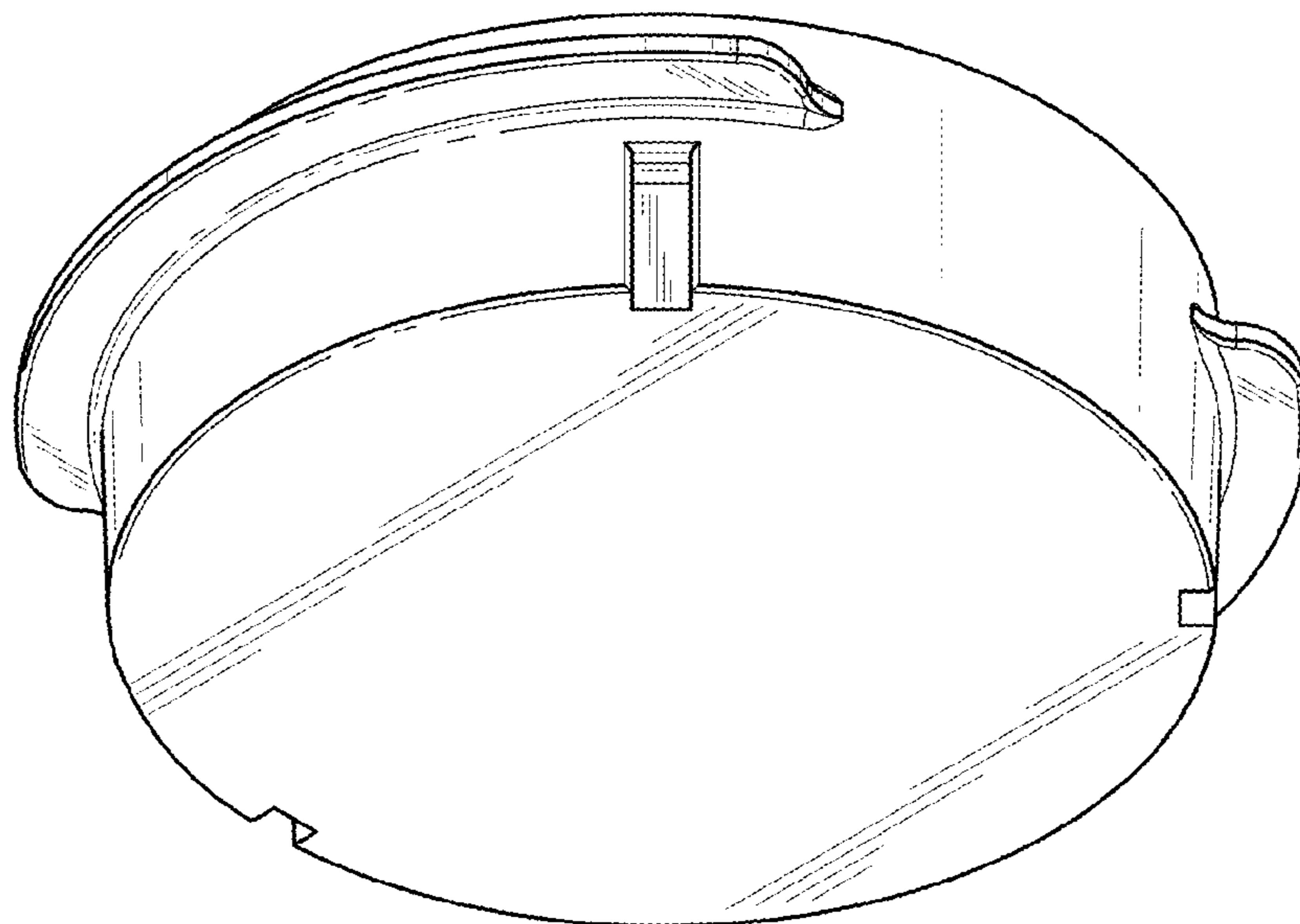


FIG. 2

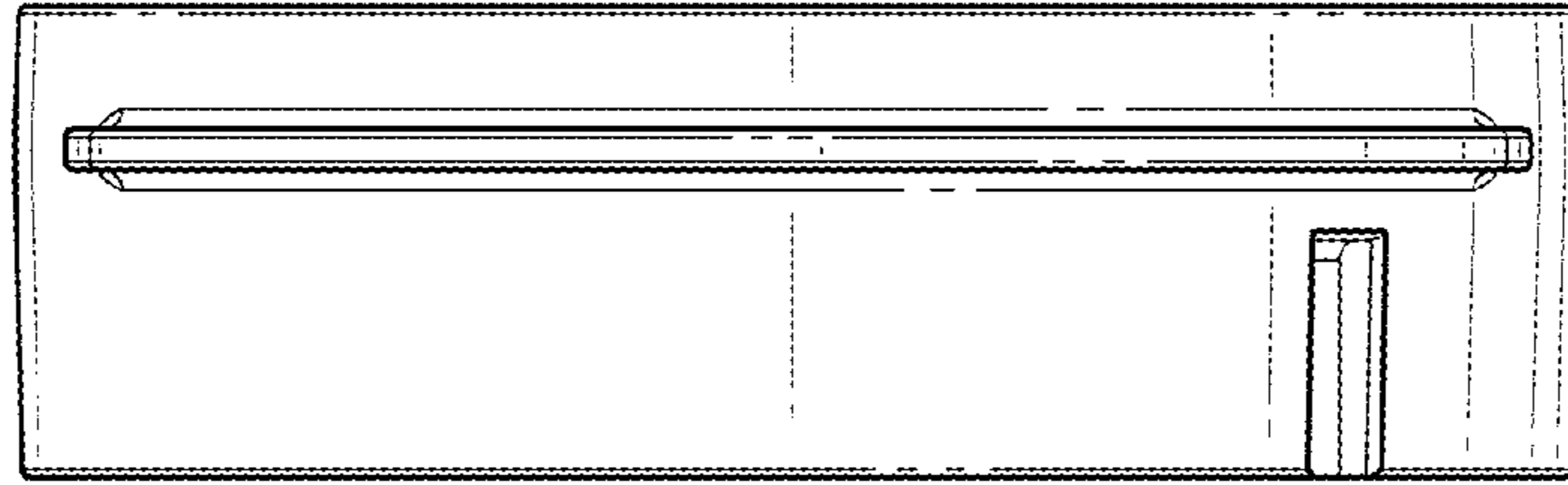


FIG. 3

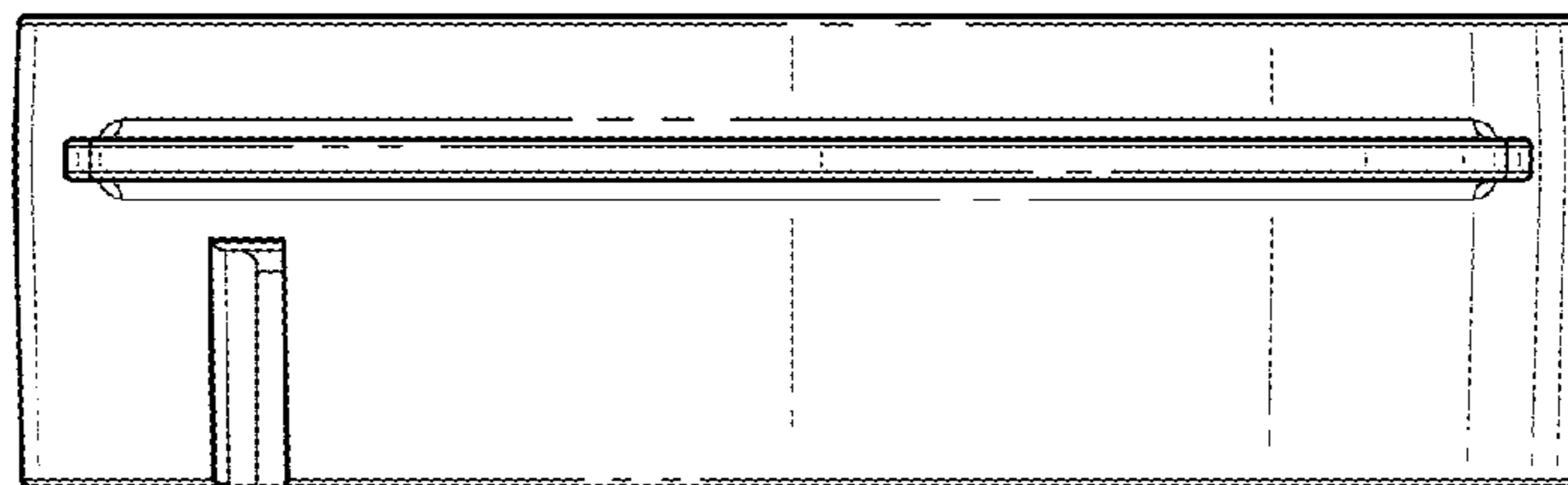


FIG. 4

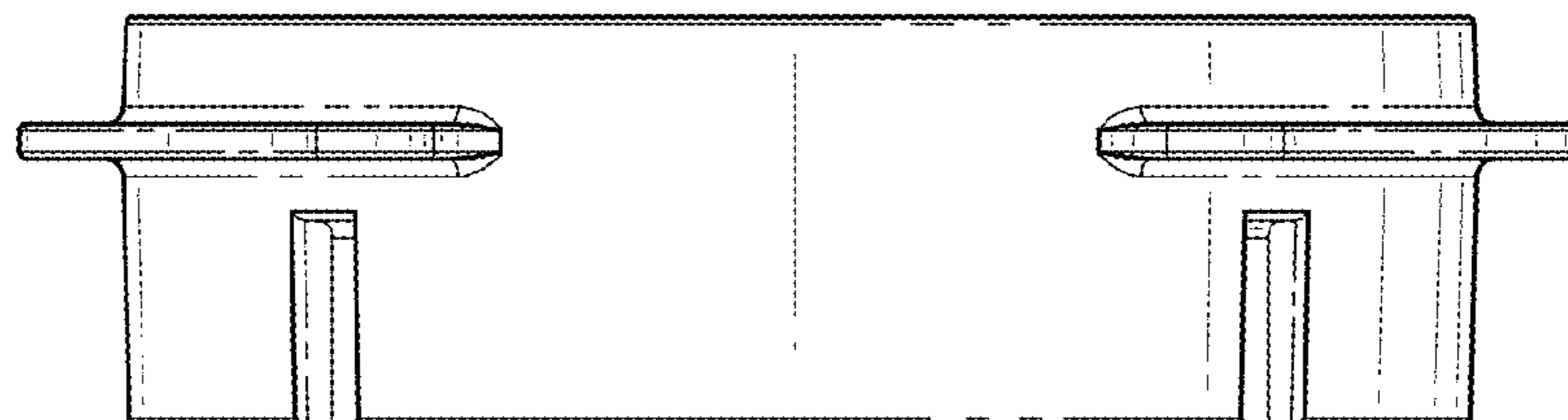


FIG. 5

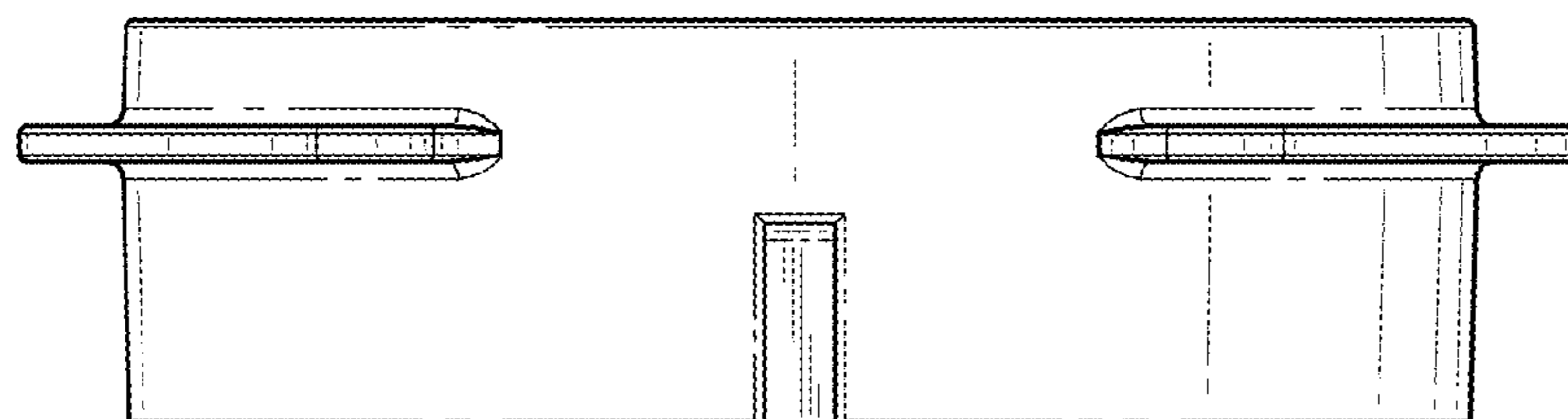


FIG. 6

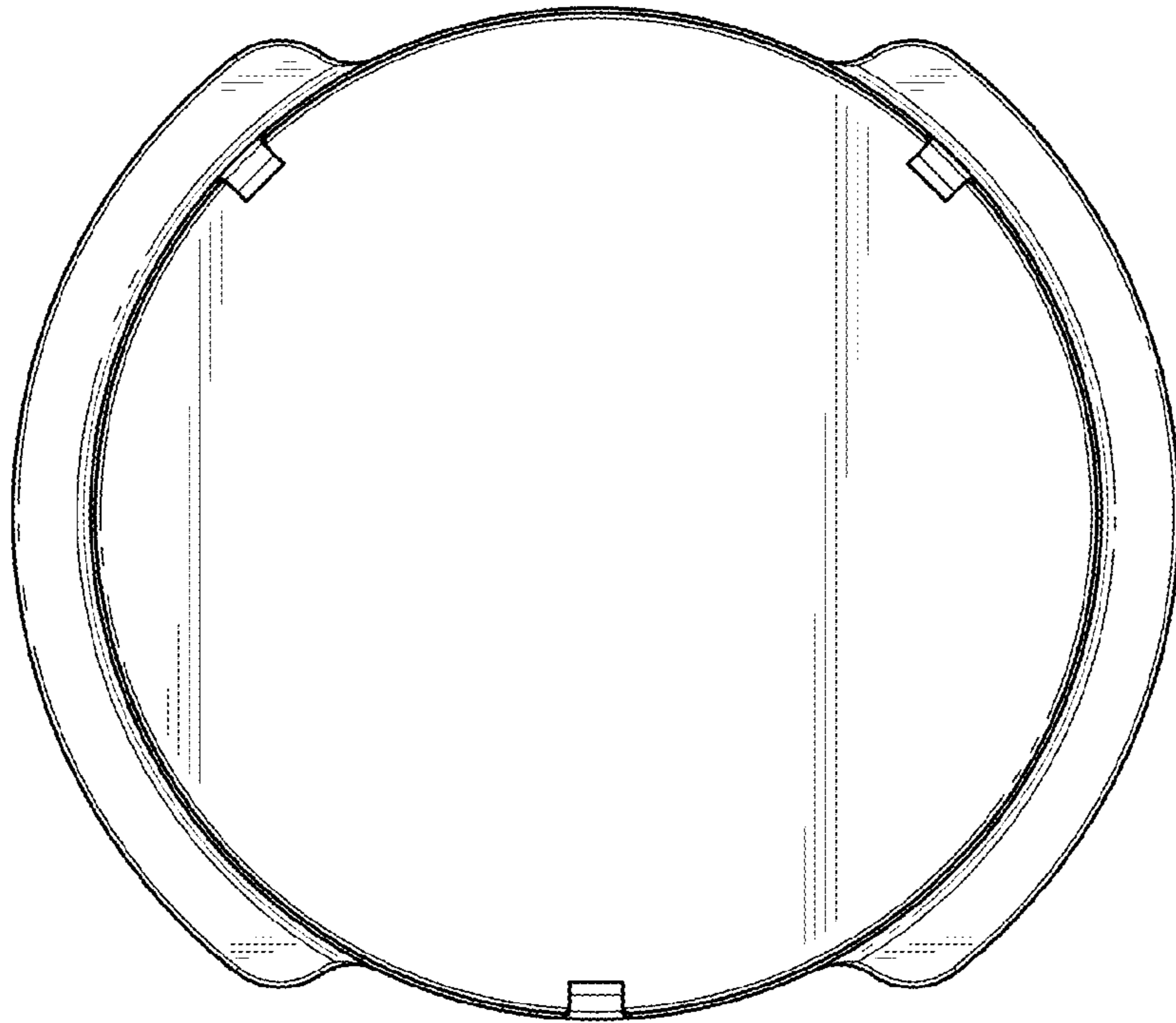


FIG. 8

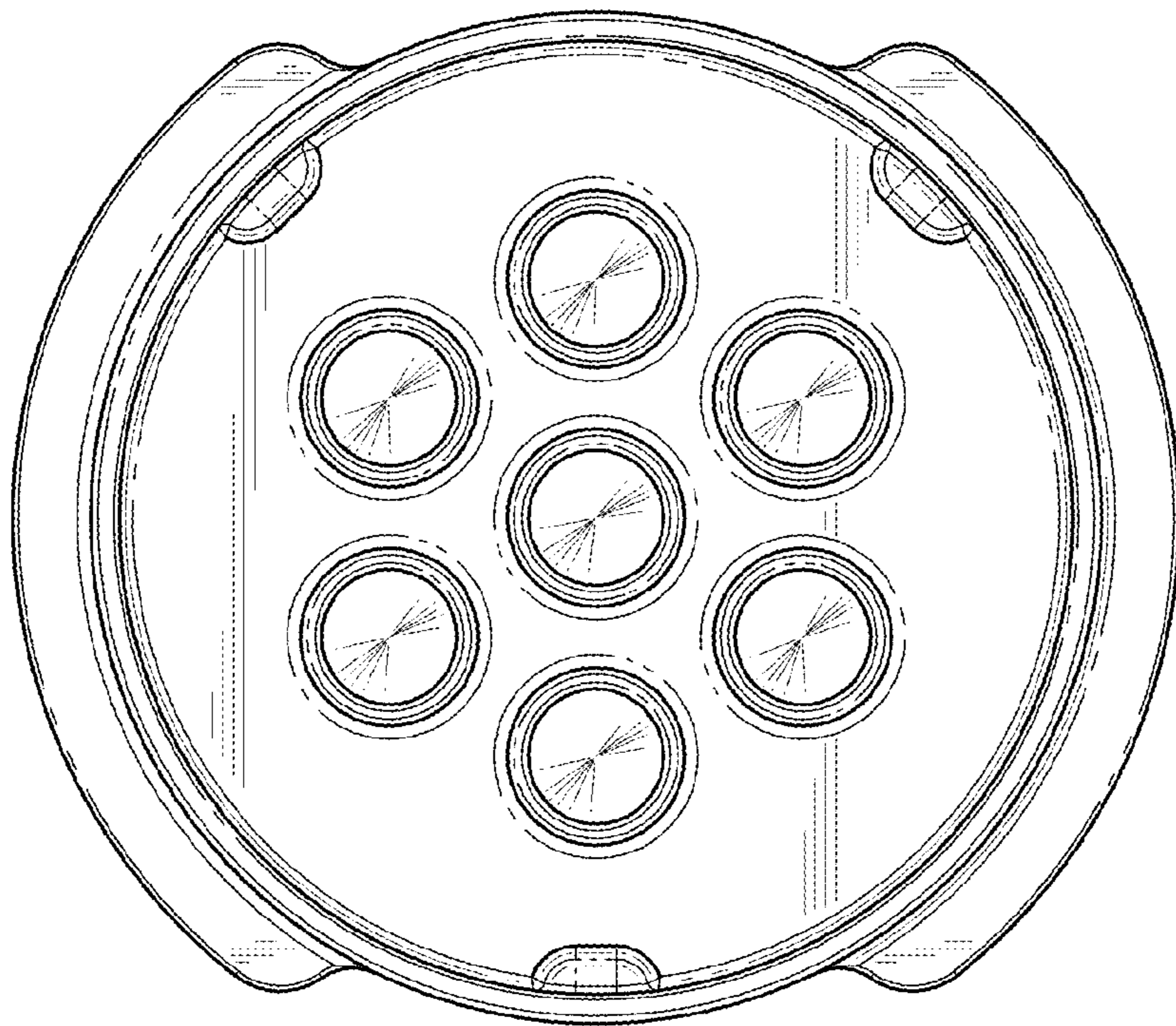


FIG. 7